



US00D939730S

(12) **United States Design Patent** (10) **Patent No.:** **US D939,730 S**  
**Lomax** (45) **Date of Patent:** **\*\* Dec. 28, 2021**

(54) **SUPPORT WEIGHT**

(56) **References Cited**

(71) Applicant: **Lomax Group Pty Ltd.**, Hunters Hill (AU)

U.S. PATENT DOCUMENTS

(72) Inventor: **Mark Lomax**, Hunters Hill (AU)

D571,486	S	*	6/2008	Miller	.....	D25/133
D609,372	S	*	2/2010	Rosian	.....	D25/135
D634,450	S	*	3/2011	Stover	.....	D25/135
D767,167	S	*	9/2016	Masuda	.....	D25/133
D807,533	S	*	1/2018	Ray	.....	D25/135
10,731,373	B2	*	8/2020	Lomax	.....	E04H 12/2238
2018/0266137	A1	*	9/2018	Lomax	.....	E04H 12/2269
2020/0208429	A1	*	7/2020	Ma	.....	A45B 25/00
2020/0392753	A1	*	12/2020	Lomax	.....	E04H 12/2246

(73) Assignee: **Lomax Group Pty Ltd.**, Hunters Hill (AU)

(\*\*) Term: **15 Years**

\* cited by examiner

(21) Appl. No.: **29/648,499**

*Primary Examiner* — Samantha Q Lawrence

(22) Filed: **May 22, 2018**

(74) *Attorney, Agent, or Firm* — Carlson, Gaskey & Olds, P.C.

(51) **LOC (13) Cl.** ..... **25-01**

(52) **U.S. Cl.**  
USPC ..... **D25/133**

(57) **CLAIM**

I claim the ornamental design for a support weight, as shown and described.

(58) **Field of Classification Search**  
USPC ..... D25/125-136; D8/307, 310, 313, 316, D8/317, 321, 322, 349, 354, 355, 356, D8/380

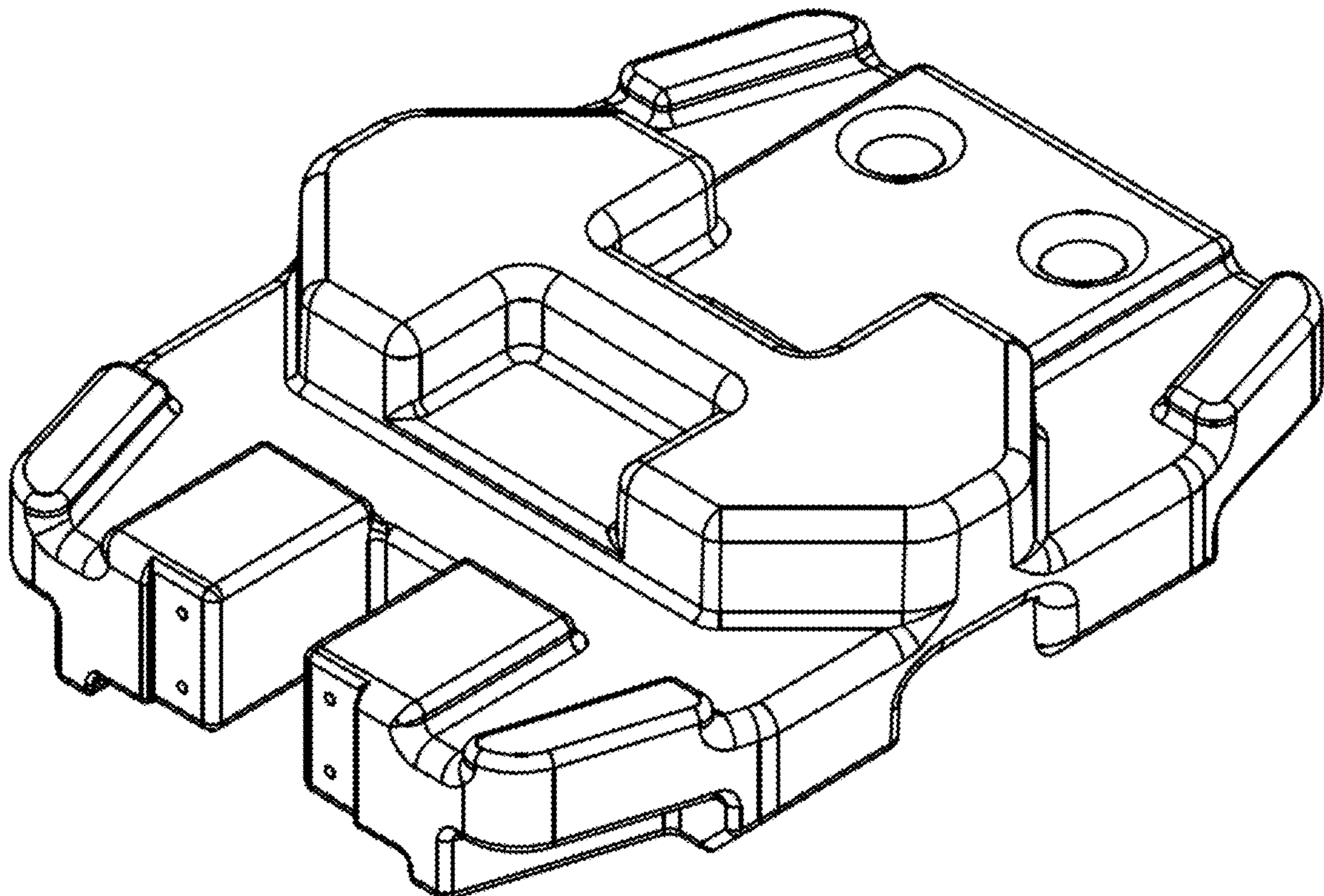
**DESCRIPTION**

CPC .... E04C 2003/0421; E04C 2003/0434; E04C 2003/0452; E04C 3/06; E04C 2003/023; E04C 2003/0413; E04C 3/14; B32B 15/043; B32B 2419/00; B32B 2607/00; B32B 2607/02; E04B 1/5812; E04B 2001/2457; E04H 12/2238; E04H 12/2246; E04H 12/2269; E04H 17/20; E04H 17/22; E04H 17/18; E01F 9/692

FIG. 1 is front perspective view of a support weight. FIG. 2 is a rear perspective view of the support weight. FIG. 3 is a top plan view of the support weight. FIG. 4 is a bottom plan view of the support weight. FIG. 5 is a front view of the support weight. FIG. 6 is a rear view of the support weight; and, FIG. 7 is a left side view of the support weight.

See application file for complete search history.

**1 Claim, 3 Drawing Sheets**



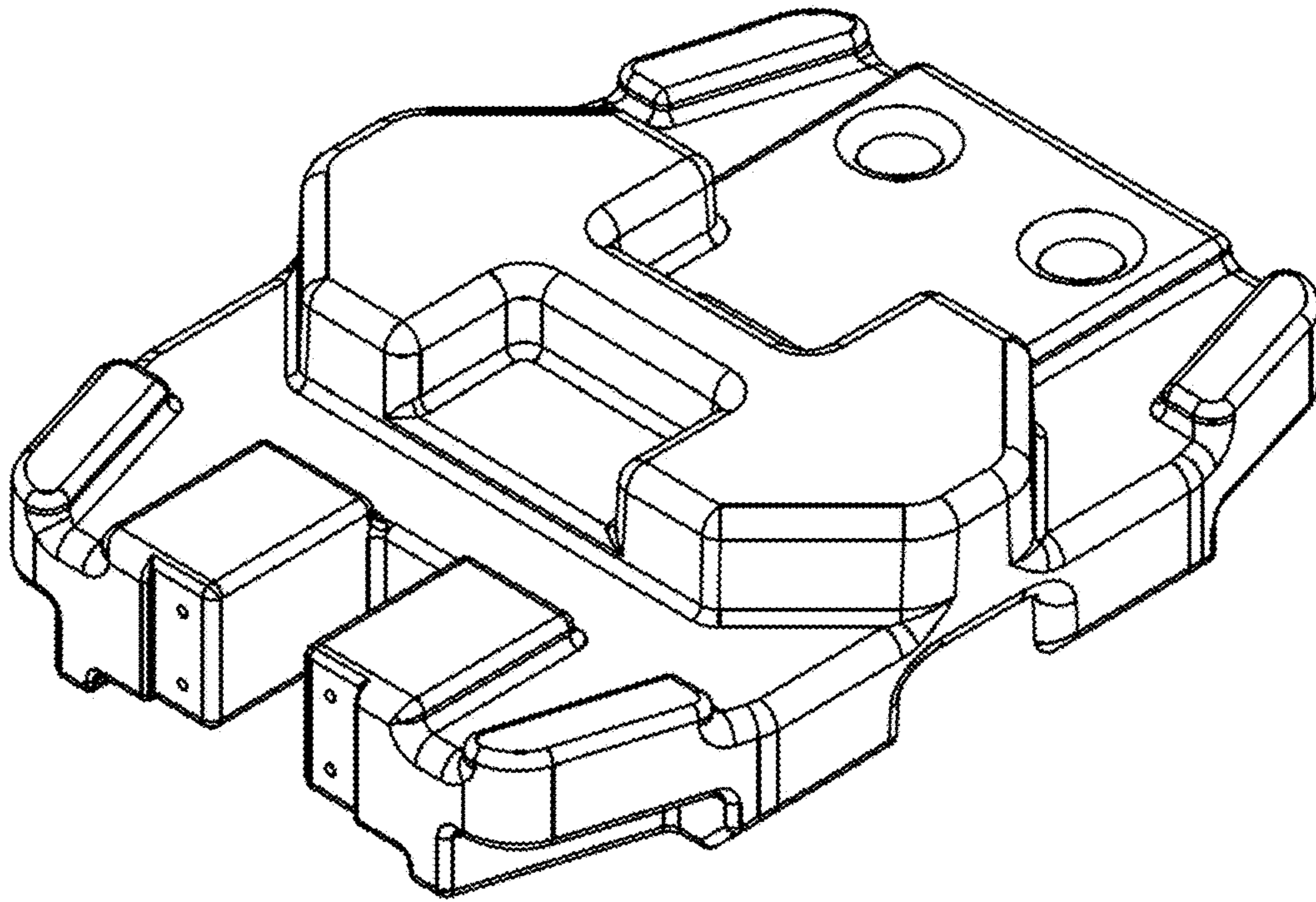


FIG. 1

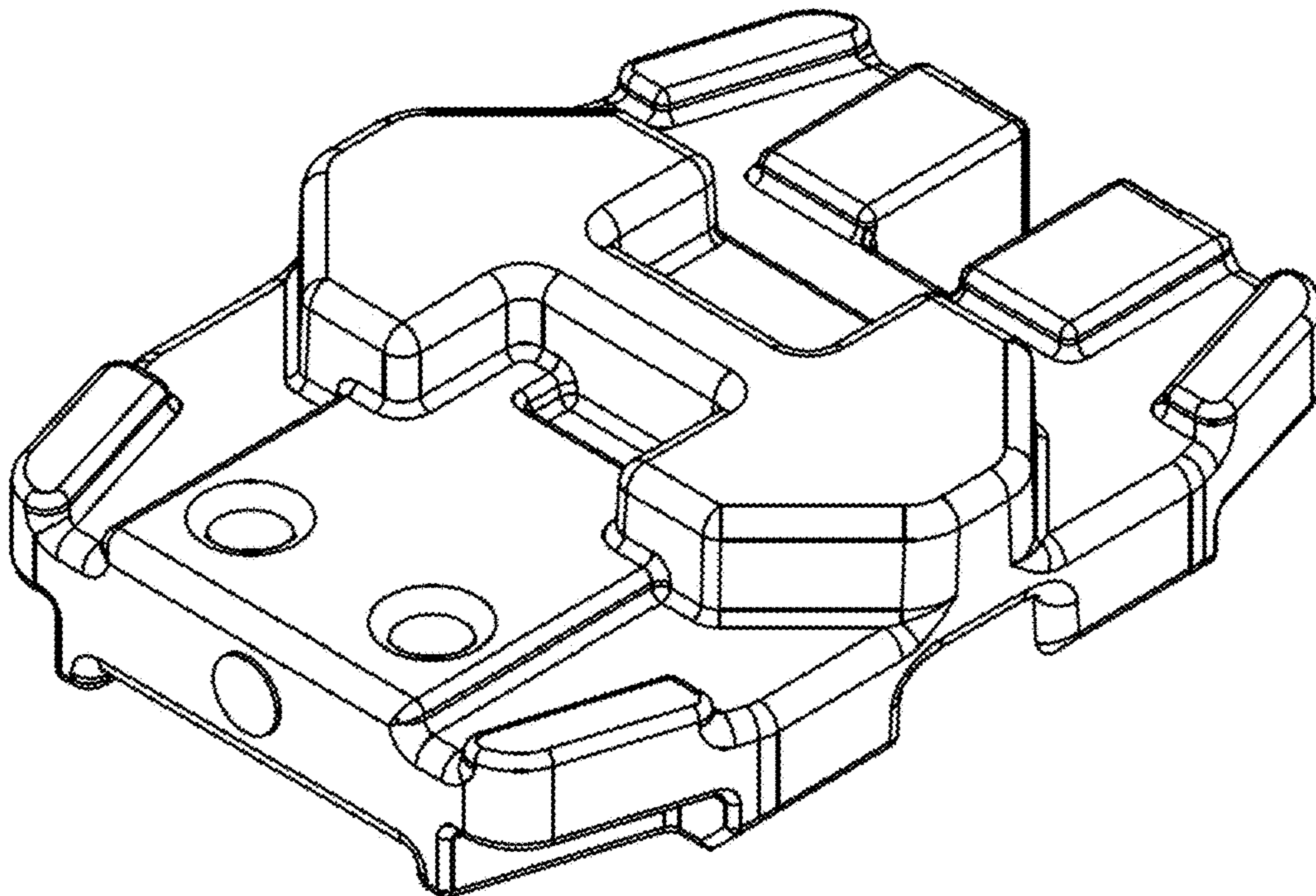


FIG. 2

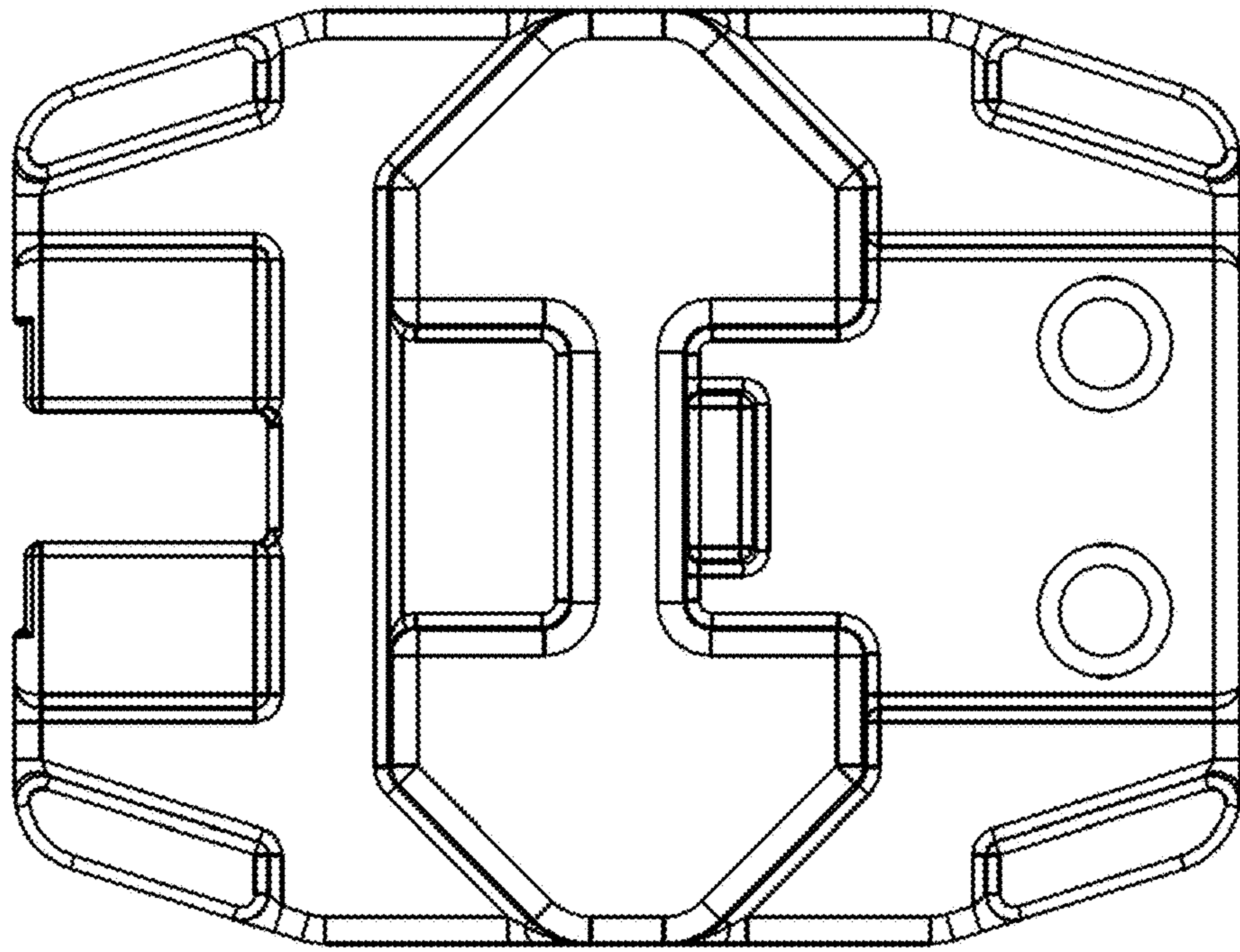


FIG. 3

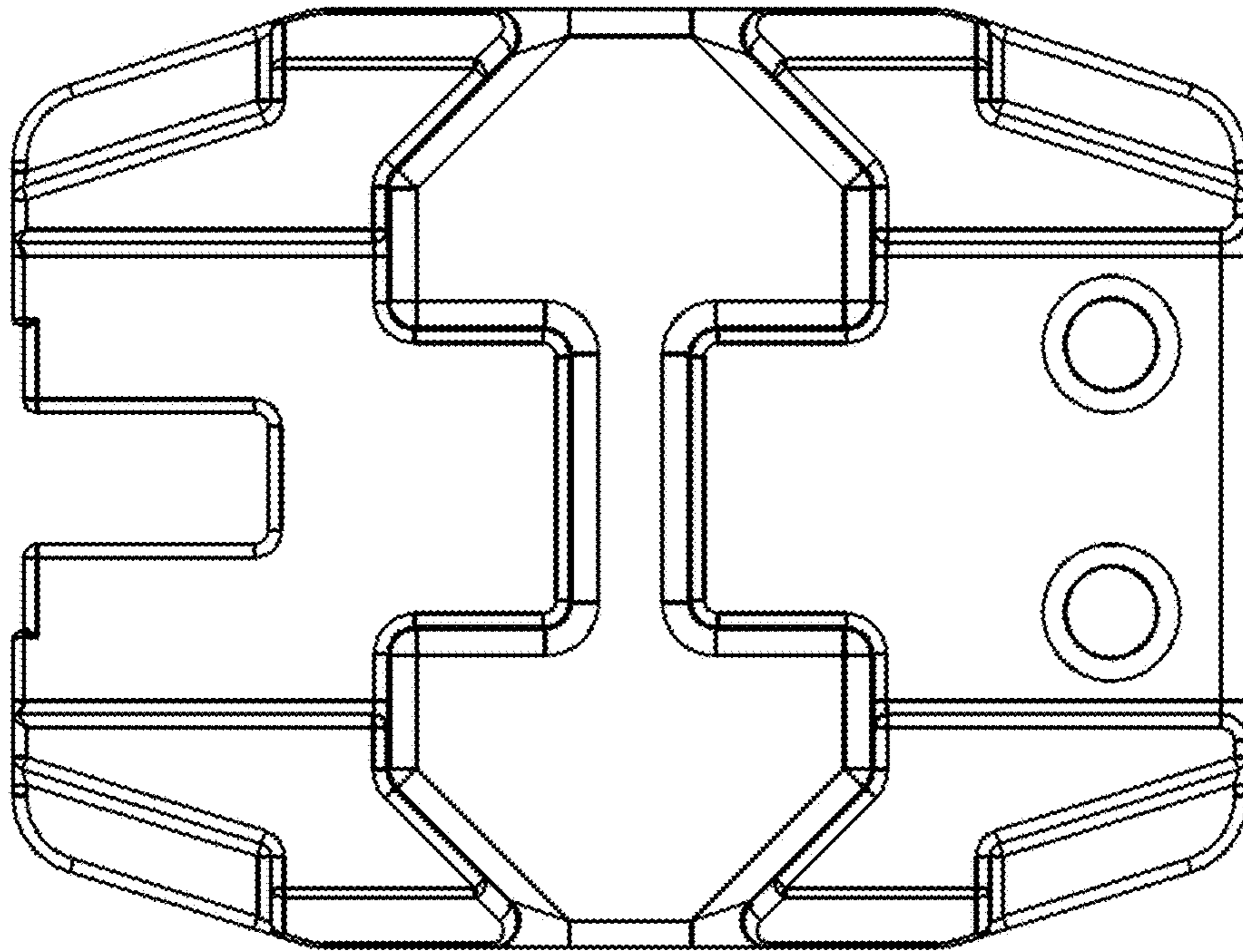


FIG. 4

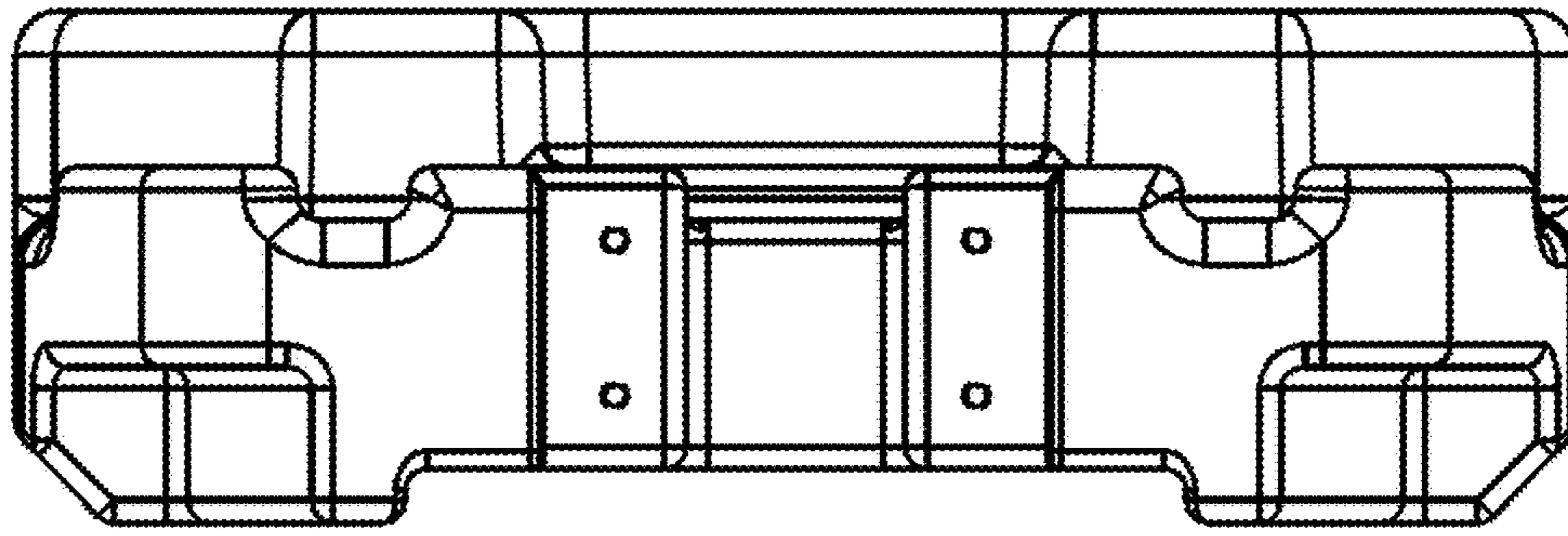


FIG. 5

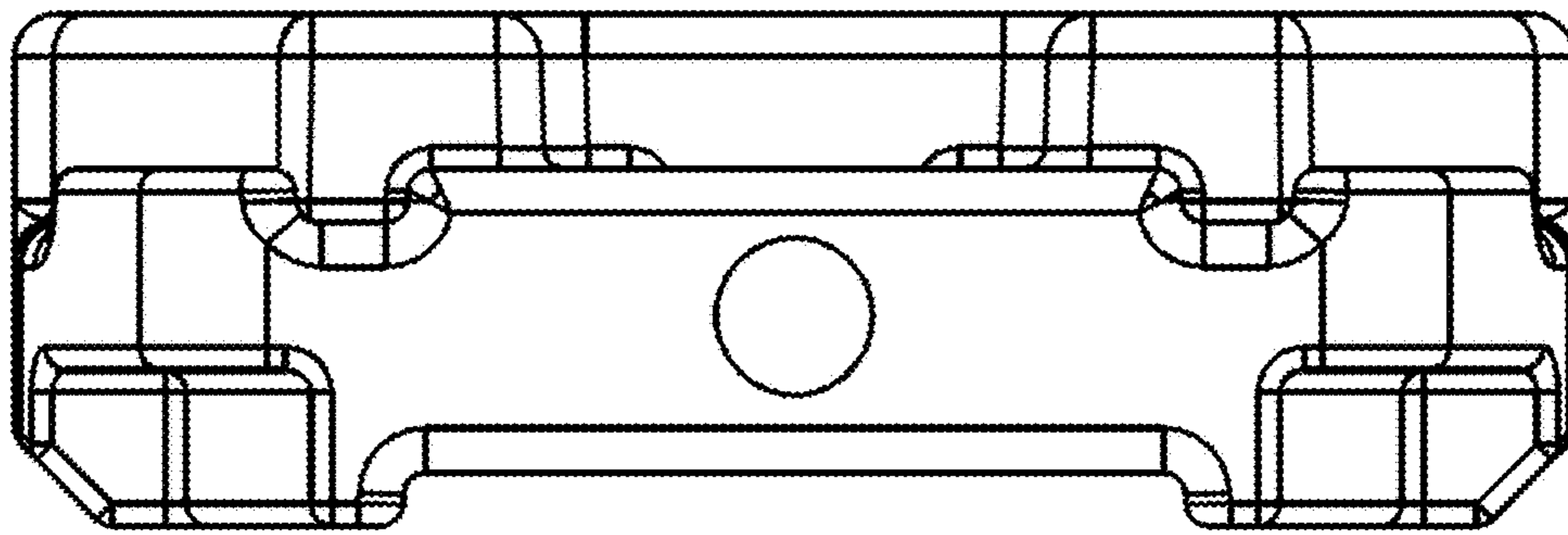


FIG. 6

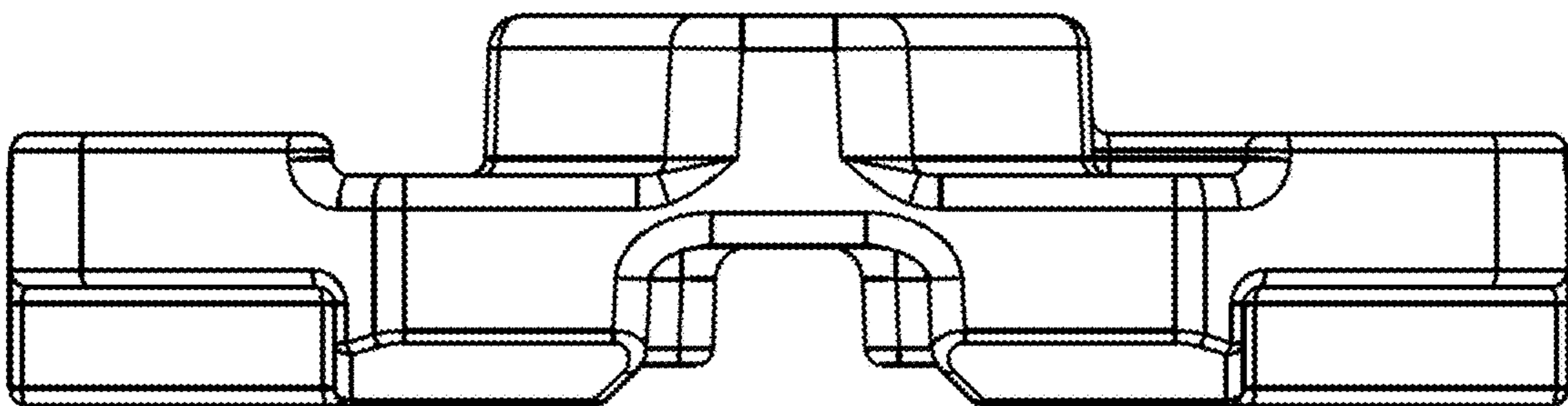


FIG. 7