



US00D939729S

(12) **United States Design Patent** (10) **Patent No.:** **US D939,729 S**
Thomas (45) **Date of Patent:** **** Dec. 28, 2021**

(54) **POST**

F16D 1/101; F16D 1/12; H05B 6/101;
H05B 6/109; H05B 6/36; H05B 6/42;
H05B 6/44; Y02P 10/25; H01Q 1/42

(71) Applicant: **NZ Tube Mills Limited**, Lower Hutt (NZ)

See application file for complete search history.

(72) Inventor: **Malcolm Thomas**, Upper Hutt (NZ)

(56)

References Cited

(73) Assignee: **NZ TUBE MILLS LIMITED**, Lower Hutt (NZ)

U.S. PATENT DOCUMENTS

(**) Term: **15 Years**

(21) Appl. No.: **29/722,103**

(22) Filed: **Jan. 27, 2020**

(30) **Foreign Application Priority Data**

Aug. 5, 2019 (NZ) 426305

(51) **LOC (13) Cl.** **25-01**

(52) **U.S. Cl.**
USPC **D25/126**

(58) **Field of Classification Search**

USPC D25/119, 125, 126, 127, 128, 129, 130,
D25/131, 132, 133, 134, 135, 136, 61,
D25/164; D8/45, 71, 394-396, 349, 354,
D8/355; D15/135, 136, 138
CPC E04B 9/068; E04B 1/19; E04B 1/1903;
E04B 1/24; E04B 1/2403; E04B 1/40;
E04B 2001/2415; E04B 2001/2421; E04B
2001/2451; E04B 1/161; E04B
2002/8694; E04B 2/845; E04B 1/26;
E04B 2001/2472; E04B 2001/249; E04B
1/486; E04C 3/07; E04C 2003/046; E04C
3/04; E04C 3/06; E04C 2/34; E04C
2003/0486; E04C 2003/0491; E04H
12/2269; E04H 12/24; E04H 15/34; E04H
17/1421; E04H 12/00; B60K 25/08;
C21D 1/42; C21D 1/667; C21D 9/0062;
C21D 9/40; F16D 11/14; F16D 15/00;

D546,973	S	*	7/2007	Halderman	D25/119
D587,548	S	*	3/2009	O'Toole	D8/14
D587,819	S	*	3/2009	Ryan	D25/119
D621,249	S	*	8/2010	Heindl	D8/382
D650,095	S	*	12/2011	Smolinski	D25/133
D664,668	S	*	7/2012	Hewitt	D25/38.1
D687,170	S	*	7/2013	Kovalchick	D25/126
D723,186	S	*	2/2015	Taylor	D25/119
D723,187	S	*	2/2015	Taylor	D25/119
D725,296	S	*	3/2015	Taylor	D25/126
D725,297	S	*	3/2015	Taylor	D25/126
9,662,694	B2	*	5/2017	Olsson	B21B 1/08
D789,513	S	*	6/2017	Nilssen	D23/415
D817,918	S	*	5/2018	Sabatino	D14/188

* cited by examiner

Primary Examiner — Samantha Q Lawrence

(74) *Attorney, Agent, or Firm* — Grogan, Tuccillo & Vanderleeden, LLP

(57)

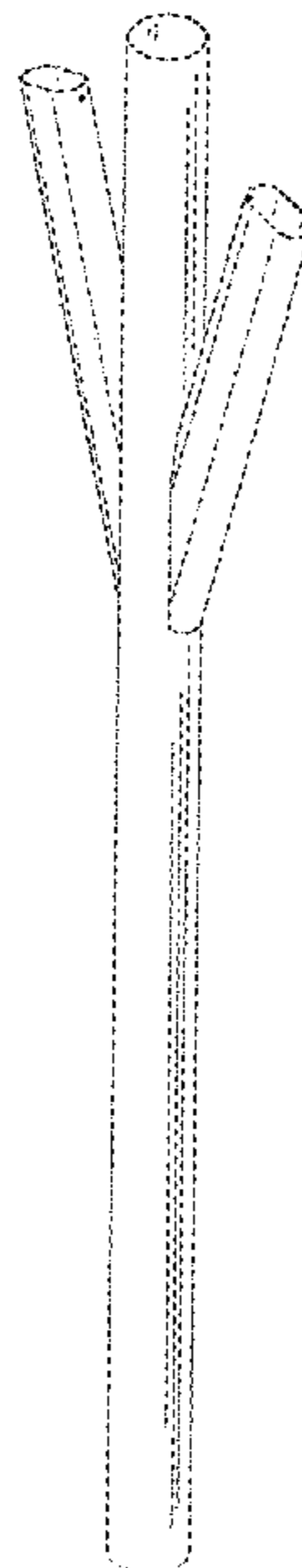
CLAIM

The ornamental design for a a post, as shown and described.

DESCRIPTION

FIG. 1 is a perspective view of a post;
FIG. 2 is a front view of the post thereof;
FIG. 3 is a back view of the post thereof;
FIG. 4 is a top view of the post thereof;
FIG. 5 is a bottom view of the post thereof;
FIG. 6 is a left side view of the post thereof; and,
FIG. 7 is a right side view of the post thereof.

1 Claim, 7 Drawing Sheets



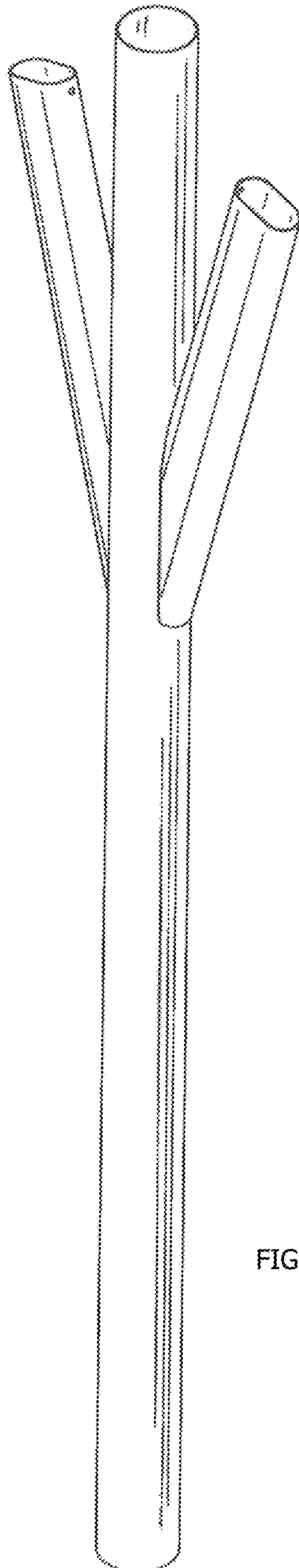


FIG. 1

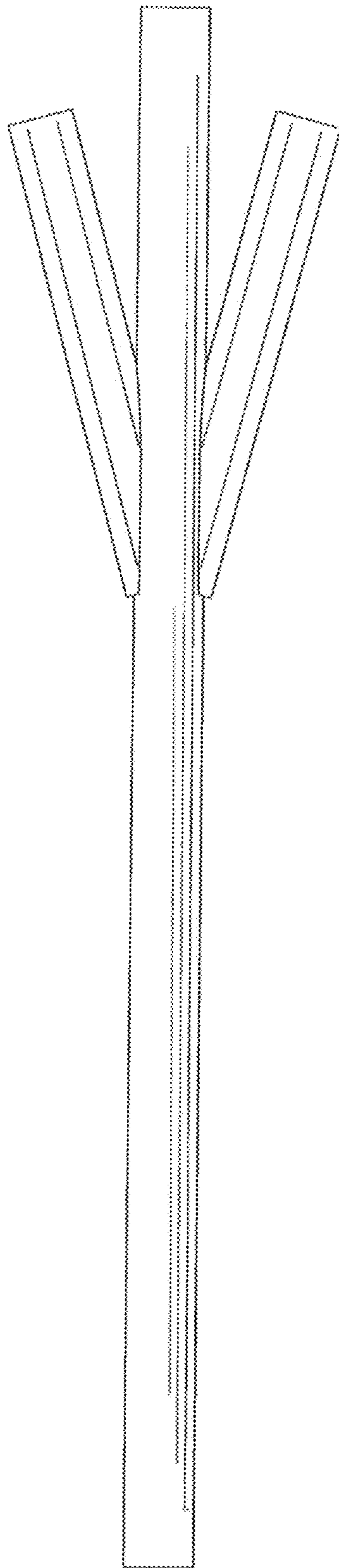


Fig. 2

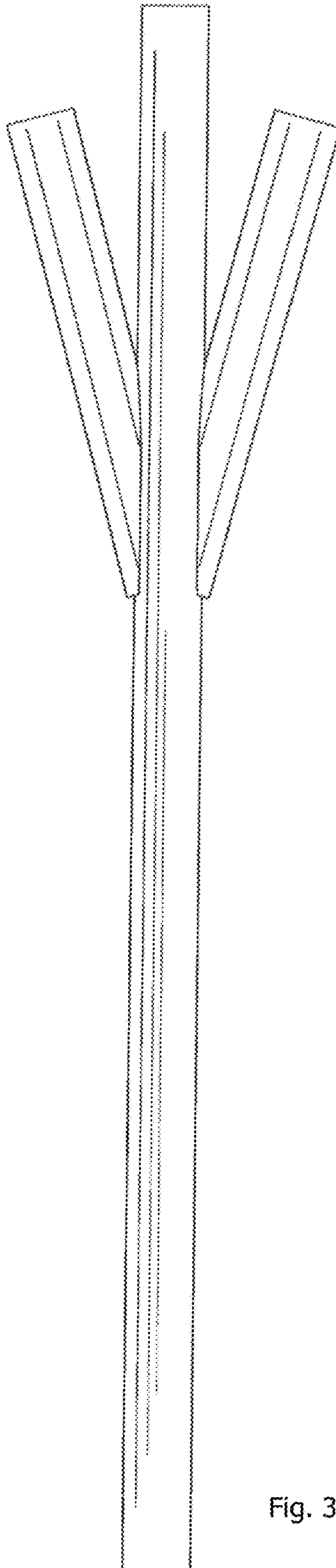


Fig. 3

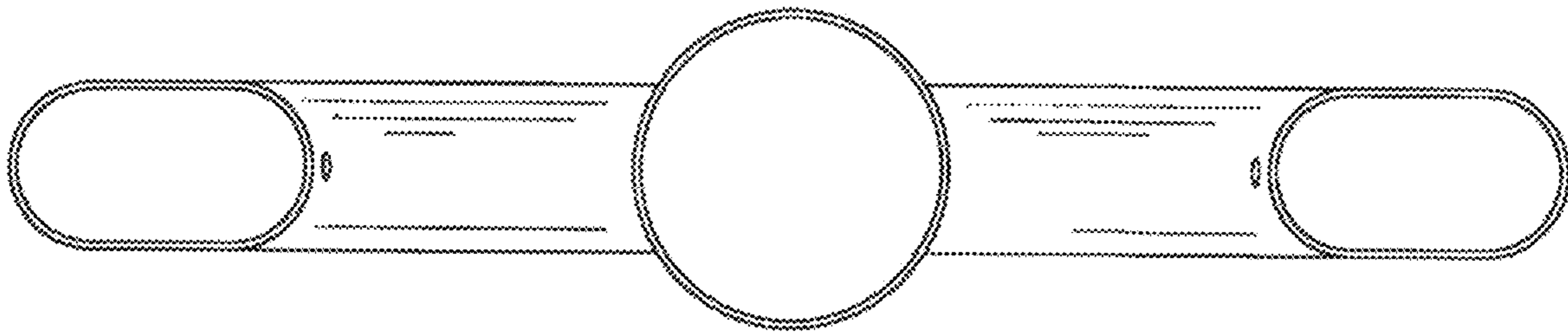


Fig. 4

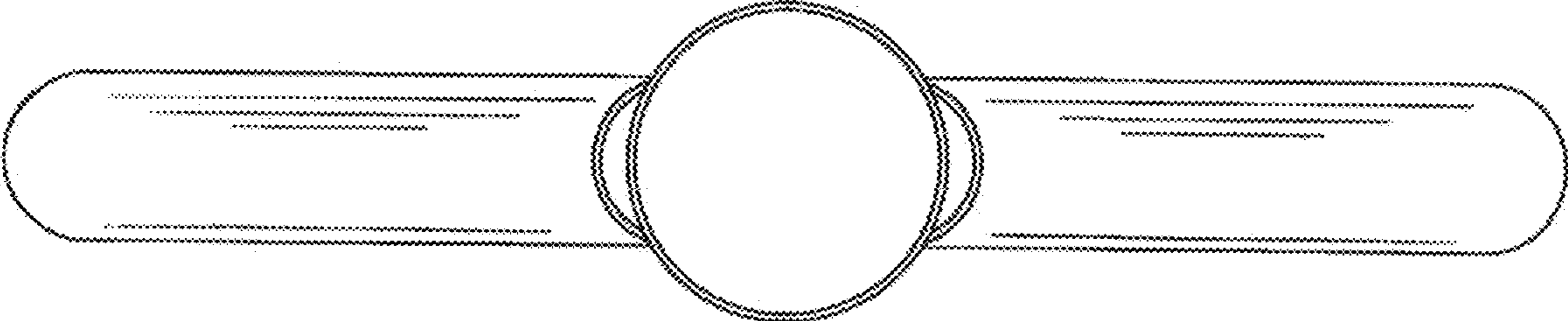


Fig. 5

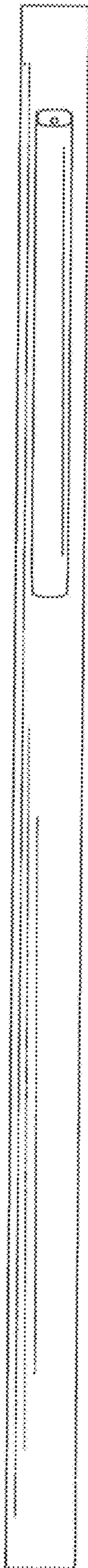


Fig. 6

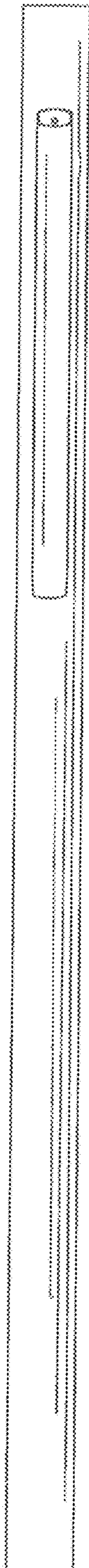


Fig. 7