



US00D939727S

(12) **United States Design Patent** (10) **Patent No.:** **US D939,727 S**
Langhoff et al. (45) **Date of Patent:** **** Dec. 28, 2021**

- (54) **CUVETTE TRAY**
- (71) Applicant: **BD Kiestra B.V.**, Drachten (NL)
- (72) Inventors: **Brian Reuben Langhoff**, Julian, NC (US); **William Alan Fox**, Lake Wylie, SC (US); **Kerry Lynn Smith**, York, PA (US); **Stefan Campbell Dehaseth**, Baltimore, MD (US)
- (73) Assignee: **BD Kiestra B.V.**
- (**) Term: **15 Years**
- (21) Appl. No.: **29/657,768**
- (22) Filed: **Jul. 25, 2018**

Related U.S. Application Data

- (62) Division of application No. 29/627,910, filed on Nov. 30, 2017, now Pat. No. Des. 831,844, which is a (Continued)
- (51) **LOC (13) Cl.** **24-02**
- (52) **U.S. Cl.**
USPC **D24/230**
- (58) **Field of Classification Search**
USPC D24/216, 223, 224, 225, 226, 227, 228, D24/229, 230; D3/203.1, 203.3; D7/553.1, 553.7, 554.3; D9/760
CPC A61B 1/00142; A61B 1/0055; A61B 1/00071; A61B 1/00073; A61B 1/267; A61B 17/3415; A61B 6/032; A61F 11/002; A61M 16/04; A61M 16/0488; B01D 9/00; B01L 3/502; B01L 3/5025; B01L 3/508; B01L 3/5021; B01L 3/50215; B01L 3/5023; B01L 3/5082; B01L 3/50825; B01L 3/5083; B01L 3/5085; B01L 3/50855; B01L (Continued)

(56) **References Cited**
U.S. PATENT DOCUMENTS

3,627,432 A 12/1971 Bergmann
3,759,374 A 9/1973 Helger et al.
(Continued)

FOREIGN PATENT DOCUMENTS

EP 0661532 A2 7/1995
EP 1909094 A1 4/2008
(Continued)

OTHER PUBLICATIONS

International Search Report for Application No. PCT/IB2015/002072 dated Apr. 20, 2016.

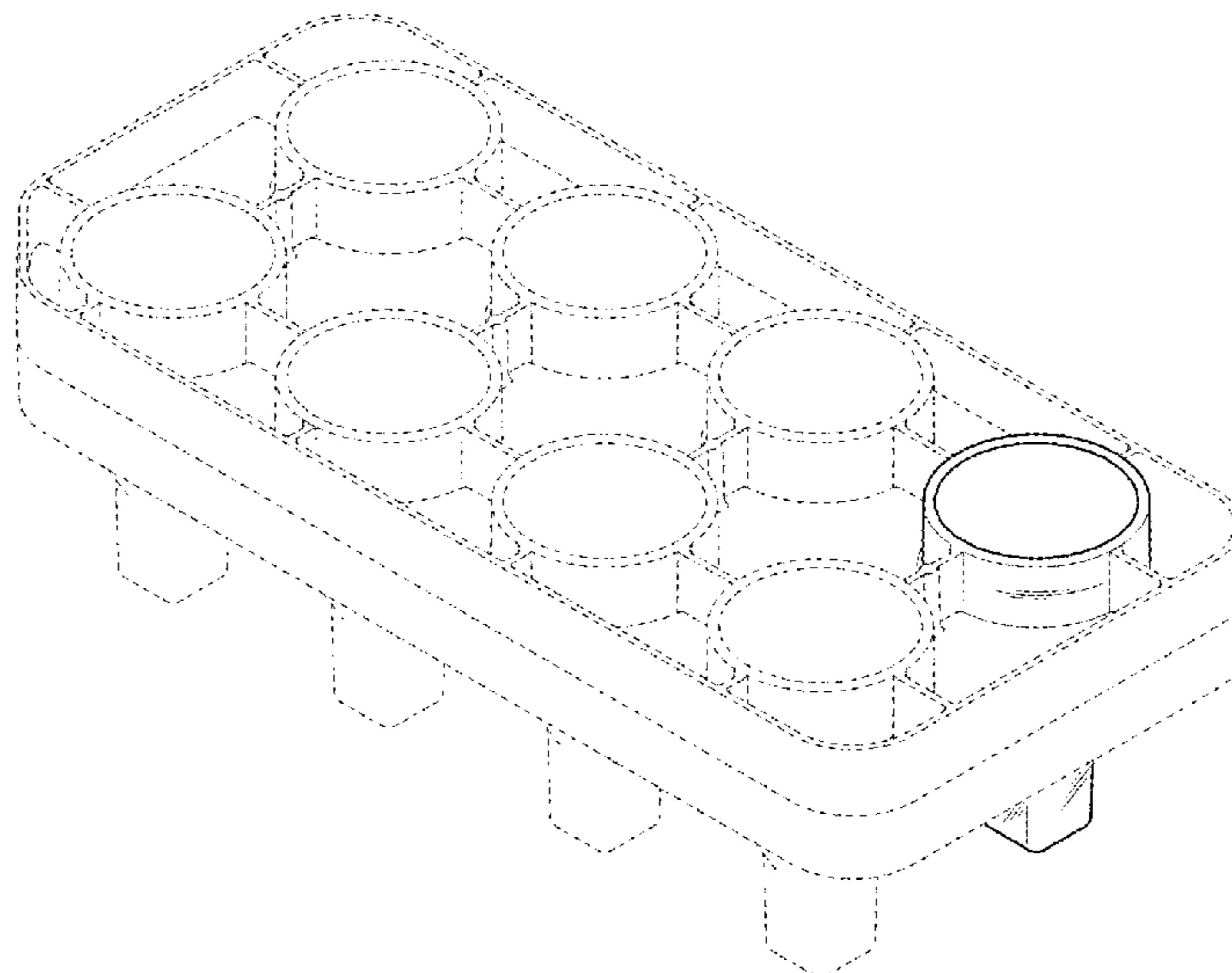
Primary Examiner — Samantha Q Lawrence
(74) *Attorney, Agent, or Firm* — Lerner, David, Littenberg, Krumholz & Mentlik, LLP

(57) **CLAIM**
The ornamental design for a cuvette tray, as shown and described.

DESCRIPTION

FIG. 1 is a front perspective view of a cuvette tray according to our design;
FIG. 2 is bottom perspective view thereof;
FIG. 3 is a front elevation view thereof;
FIG. 4 is a rear elevation view thereof;
FIG. 5 is a left side elevation view thereof;
FIG. 6 is a right side elevation view thereof;
FIG. 7 is a top plan view thereof; and,
FIG. 8 is a bottom plan view thereof.
The broken lines illustrate portions of the cuvette tray form no part of the claimed design. The dot-dash broken lines represent unclaimed boundaries that form no part of the claimed design. The oblique shade lines shown in the drawings indicate a transparent or translucent surface. The curved diagonal shading indicates transparency or translucency.

1 Claim, 4 Drawing Sheets



Related U.S. Application Data

division of application No. 29/540,911, filed on Sep. 29, 2015, now Pat. No. Des. 810,959.

(58) **Field of Classification Search**

CPC 3/545; B01L 3/5453; B01L 9/06; B01L 3/543; B04B 5/0414; B65D 1/34; B65D 1/36

See application file for complete search history.

(56) **References Cited**

U.S. PATENT DOCUMENTS

D229,748 S * 1/1974 White D24/224
 3,869,214 A 3/1975 Egli et al.
 D246,466 S 11/1977 Attree et al.
 4,123,173 A 10/1978 Bullock et al.
 4,126,418 A 11/1978 Krasnow
 4,195,060 A 3/1980 Terk
 4,198,484 A 4/1980 Reichler et al.
 D257,175 S 9/1980 Terk
 4,226,531 A 10/1980 Tiffany et al.
 4,251,159 A 2/1981 White
 D260,428 S 8/1981 Fekete
 4,332,471 A 6/1982 Gross
 D266,588 S 10/1982 Mellars
 4,373,812 A 2/1983 Stein et al.
 D271,993 S 12/1983 Swartz
 D274,553 S 7/1984 Perry
 D277,891 S 3/1985 Uffenheimer et al.
 D280,663 S 9/1985 Albon et al.
 4,560,269 A 12/1985 Baldszun et al.
 D283,050 S 3/1986 Godsey
 D283,162 S 3/1986 Godsey
 D283,728 S 5/1986 Aihara
 4,639,135 A 1/1987 Borer et al.
 4,685,880 A 8/1987 Meguro et al.
 D299,955 S 2/1989 Kendrick, Sr.
 4,824,791 A 4/1989 Ekholm et al.
 D303,837 S 10/1989 Albert
 5,073,346 A 12/1991 Partanen et al.
 5,096,672 A 3/1992 Tervamaki et al.
 5,098,661 A 3/1992 Froehlich et al.
 5,130,105 A 7/1992 Carter et al.
 5,147,609 A 9/1992 Grenner
 D330,428 S 10/1992 Lewis et al.
 D332,834 S 1/1993 Hanna et al.
 D338,965 S 8/1993 Glanz et al.
 D343,905 S 2/1994 Nagata et al.
 D344,138 S 2/1994 Nagata
 5,292,484 A 3/1994 Kelln et al.
 5,331,177 A 7/1994 Kubisiak et al.
 5,437,841 A 8/1995 Balmer
 5,462,715 A 10/1995 Koch et al.
 5,470,536 A 11/1995 Jarvimaki
 5,658,532 A 8/1997 Kurosaki et al.
 5,665,558 A 9/1997 Frame et al.
 5,700,429 A 12/1997 Buhler et al.
 5,788,928 A 8/1998 Carey et al.
 D401,700 S 11/1998 Gray et al.
 5,948,691 A 9/1999 Ekiriwang et al.
 6,117,391 A 9/2000 Mootz et al.
 D437,419 S 2/2001 Kraack et al.
 6,190,619 B1 2/2001 Kilcoin et al.
 D438,633 S 3/2001 Miller
 6,719,203 B2 4/2004 Hirono et al.
 D492,419 S 6/2004 Farina
 6,943,009 B2 9/2005 Lacey et al.

7,138,091 B2 11/2006 Lee et al.
 D560,816 S 1/2008 Talmer et al.
 D596,312 S 7/2009 Giraud et al.
 D598,566 S 8/2009 Allaer
 D619,728 S 7/2010 Bare et al.
 7,787,116 B2 8/2010 Yamamoto et al.
 D624,194 S 9/2010 Pack et al.
 D624,659 S 9/2010 Nuotio
 7,922,986 B2 4/2011 Byrnard et al.
 7,939,036 B2 5/2011 Burkhardt et al.
 7,943,100 B2 5/2011 Rousseau
 D639,447 S 6/2011 Karpiloff
 7,959,878 B2 6/2011 Rousseau
 D652,148 S 1/2012 Matsuura
 D669,597 S 10/2012 Cavada et al.
 8,313,713 B2 11/2012 Jacobs et al.
 D672,881 S 12/2012 Kraihanzel
 D673,293 S 12/2012 Demas et al.
 D674,112 S 1/2013 Demas et al.
 D675,338 S 1/2013 Suzuki et al.
 8,493,559 B2 7/2013 Harvard
 D687,566 S 8/2013 Trump
 D687,567 S * 8/2013 Jungheim D24/224
 D687,965 S 8/2013 Trump
 D688,385 S 8/2013 Trump
 D709,624 S 7/2014 Baum et al.
 8,920,754 B2 12/2014 Kim et al.
 D728,818 S 5/2015 Burroughs et al.
 9,028,753 B2 5/2015 Hegazi et al.
 D732,186 S 6/2015 Burroughs et al.
 9,046,507 B2 6/2015 Knight et al.
 9,250,256 B2 2/2016 Lukhaub et al.
 9,341,640 B2 5/2016 Shintani et al.
 D764,679 S 8/2016 Franciskovich et al.
 9,612,192 B2 4/2017 Drechsler et al.
 D792,981 S 7/2017 Tajima
 D808,036 S * 1/2018 Langhoff D24/224
 D810,959 S * 2/2018 Langhoff D24/230
 D831,844 S * 10/2018 Langhoff D24/224
 D839,448 S * 1/2019 Langhoff D24/224
 D857,883 S * 8/2019 Knight G01N 35/0099
 D865,212 S * 10/2019 Kakuda D24/121
 D877,930 S * 3/2020 Santamarta D24/224
 D879,320 S * 3/2020 Kakuda D24/224
 D882,867 S * 4/2020 Volodarsky D27/170
 D886,320 S * 6/2020 Bruemmer D24/216
 D888,271 S * 6/2020 Pirod D24/224
 D902,429 S * 11/2020 Ganeshan D24/224
 D902,431 S * 11/2020 Sims D24/224
 D902,434 S * 11/2020 Livingston D24/227
 D907,797 S * 1/2021 Zergiebel D24/224
 D912,272 S * 3/2021 Self D24/224
 2002/0085959 A1 7/2002 Carey et al.
 2007/0134135 A1 6/2007 Li et al.
 2009/0009757 A1 1/2009 Mototsu et al.
 2010/0150779 A1 6/2010 Chow et al.
 2012/0156796 A1 6/2012 Drechsler et al.
 2014/0050619 A1 2/2014 Meller
 2014/0090465 A1 4/2014 Behnk
 2014/0146313 A1 5/2014 Trainoff et al.
 2015/0036121 A1 2/2015 Kurowski et al.

FOREIGN PATENT DOCUMENTS

EP 2466291 A1 6/2012
 WO 2013004674 A1 1/2013

* cited by examiner

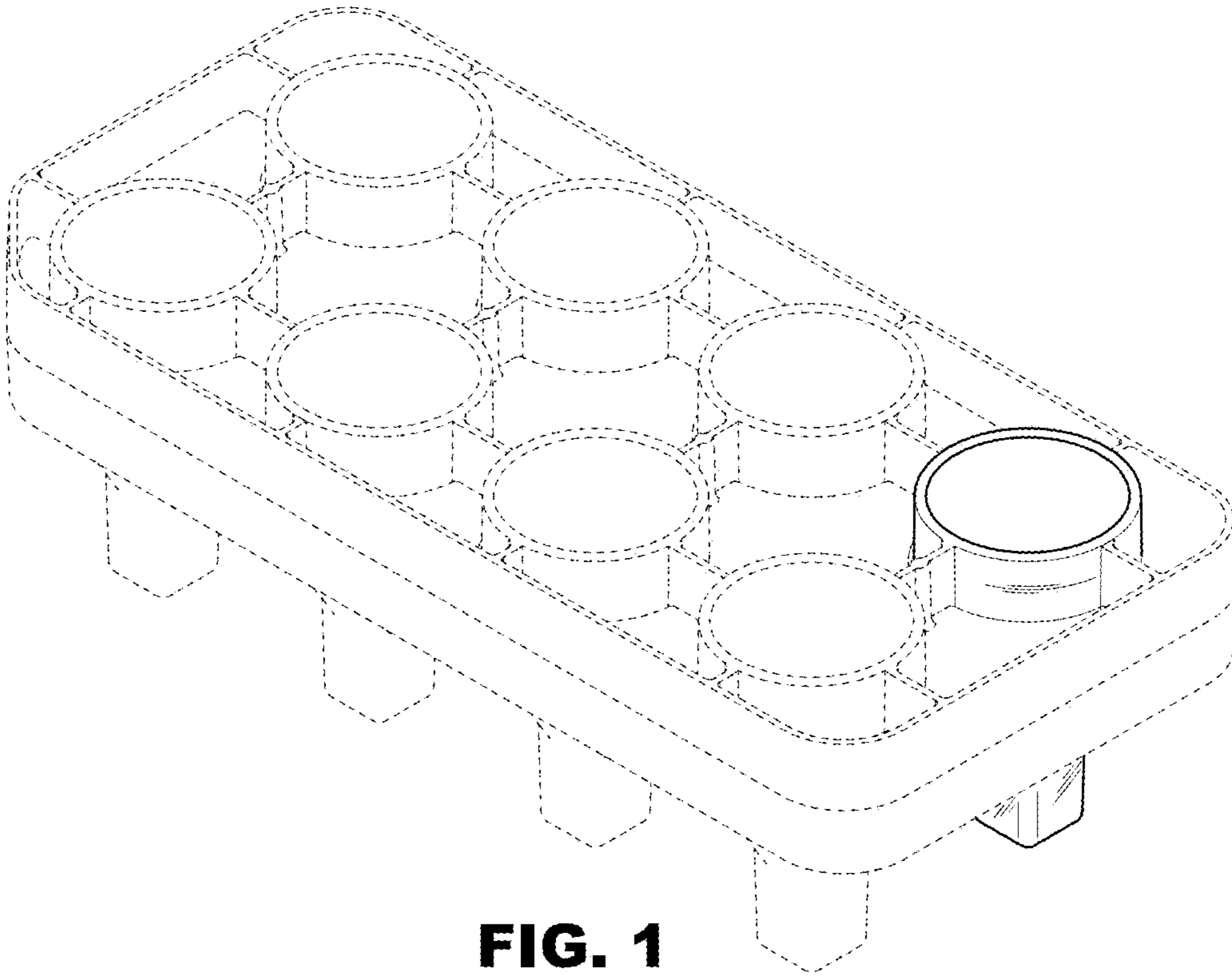


FIG. 1

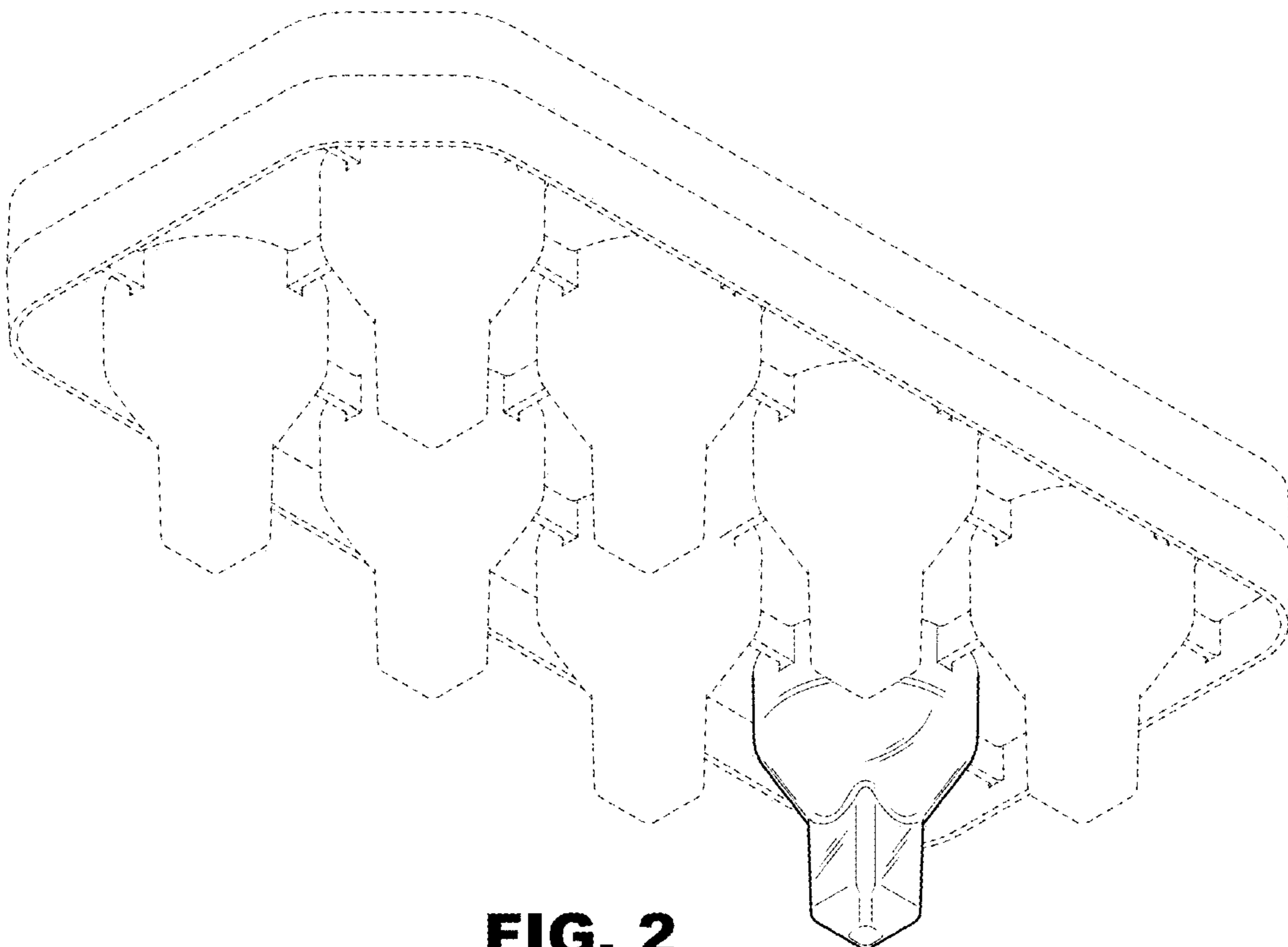


FIG. 2

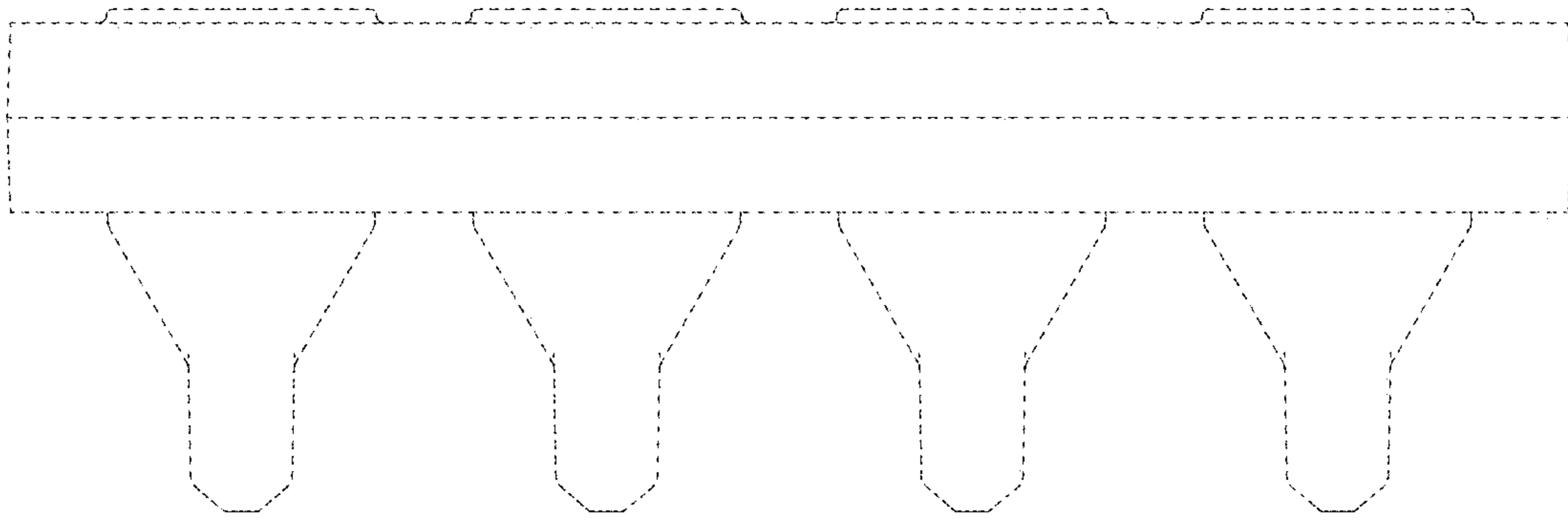


FIG. 3

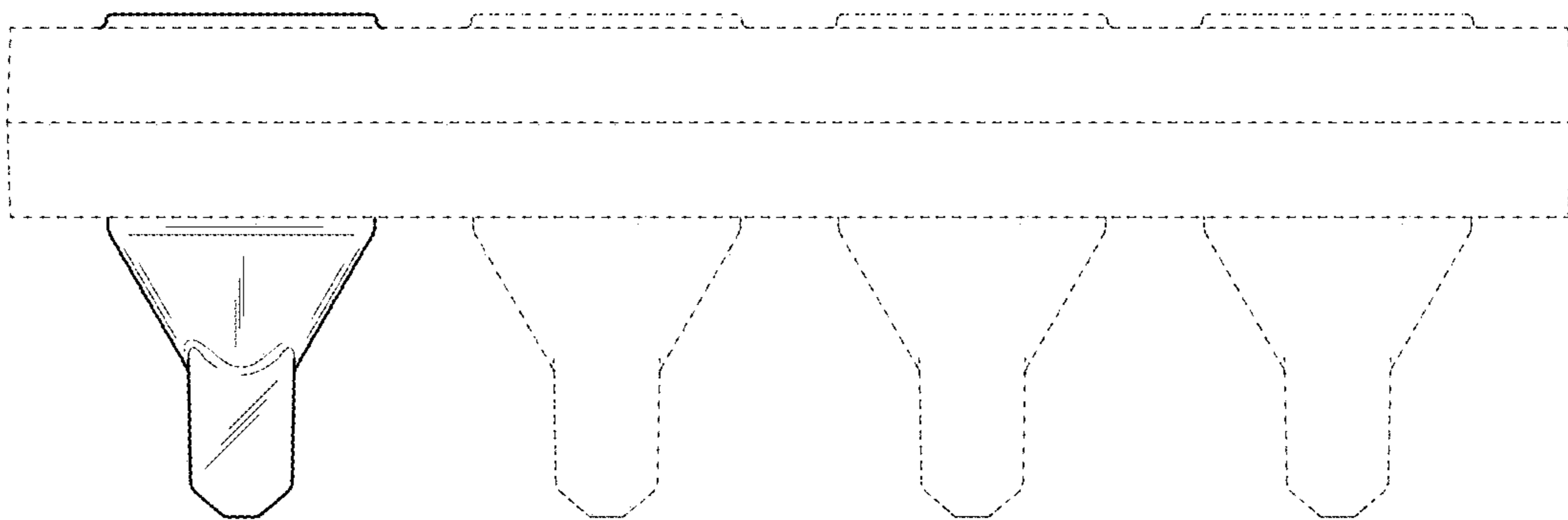


FIG. 4

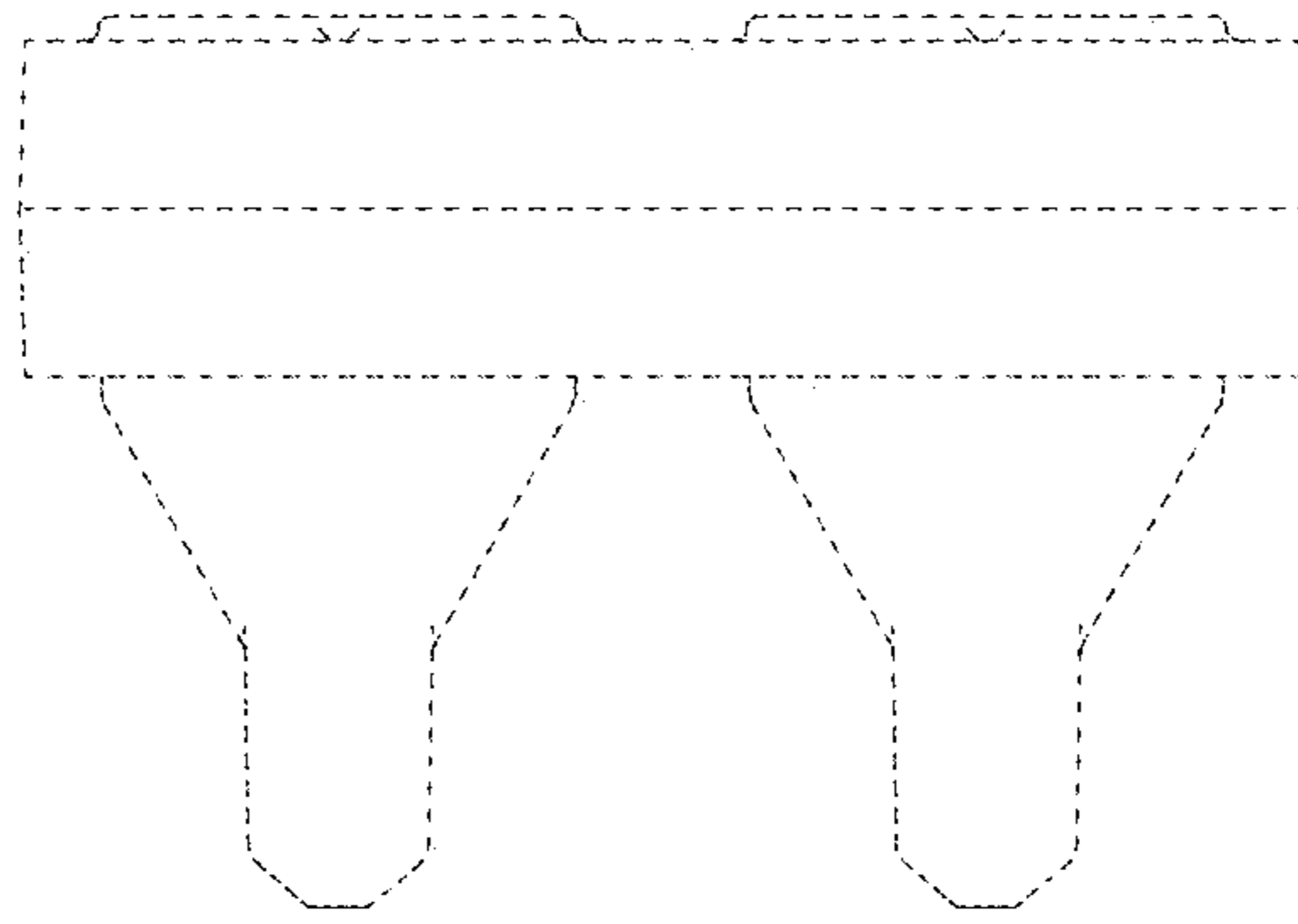


FIG. 5

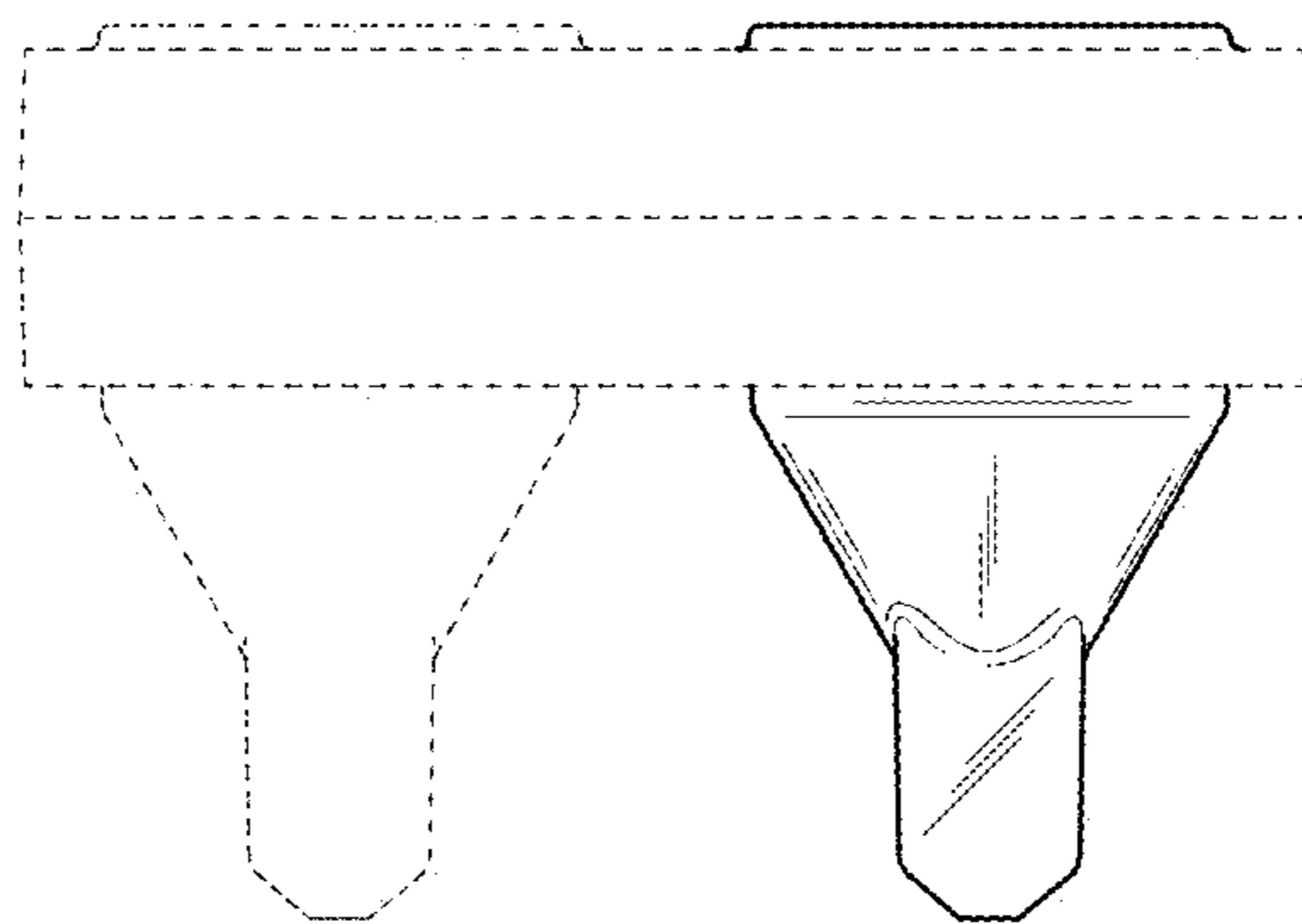


FIG. 6

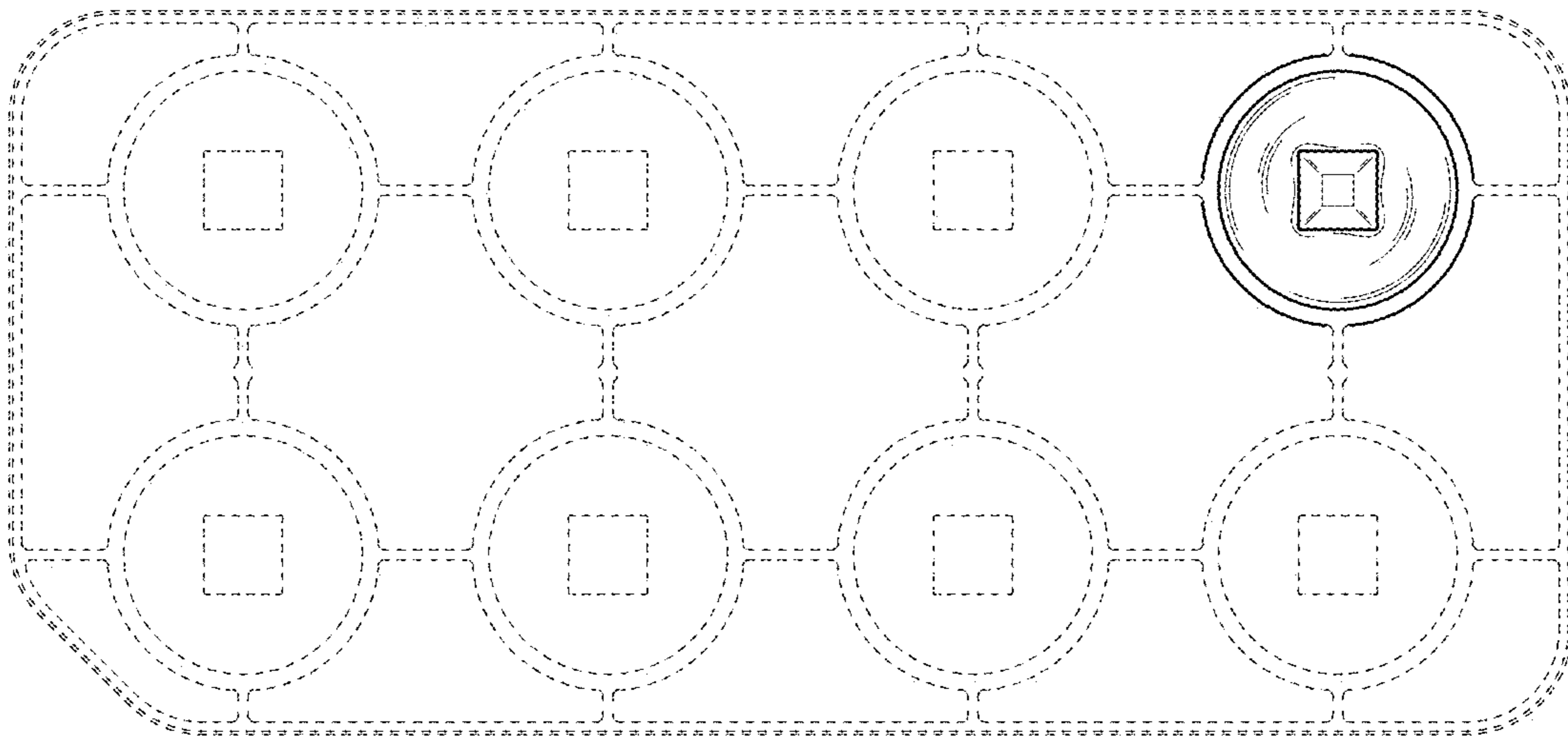


FIG. 7

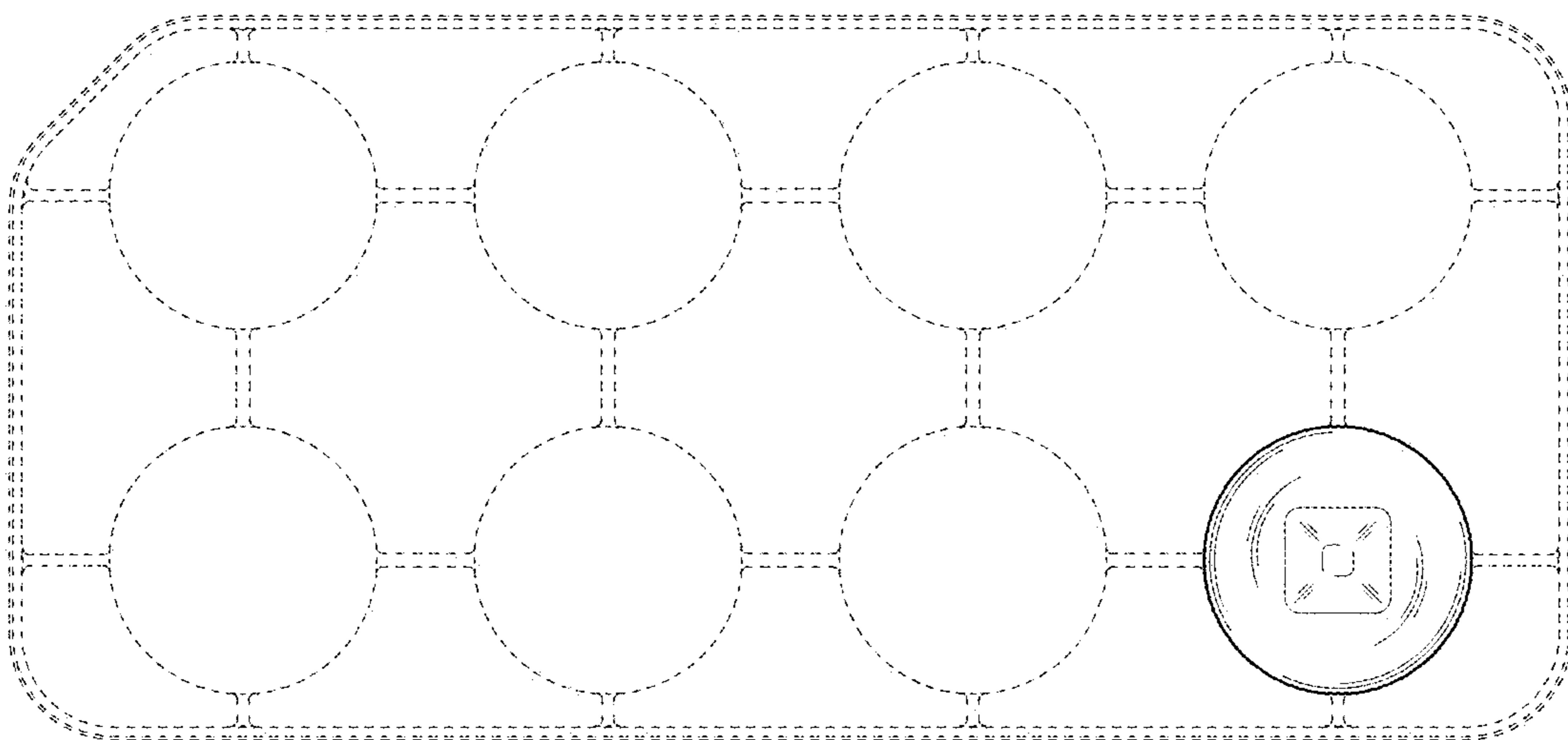


FIG. 8