



US00D939724S

(12) **United States Design Patent**
Hu

(10) **Patent No.:** **US D939,724 S**

(45) **Date of Patent:** **** Dec. 28, 2021**

(54) **MUSCLE MASSAGE GUN**

OTHER PUBLICATIONS

(71) Applicant: **DONGGUAN XIQIN Electrical Appliance Co., Ltd.**, Guangdong (CN)

RM10_woffie. Date: Not Listed. [online]. [Site visited Jun. 3, 2021], Available from Internet URL: <https://www.iroffie.com/%E5%89%AF%E6%9C%AC-rp20> (Year: NA).*

(72) Inventor: **Dashuai Hu**, Dongguan (CN)

Yunmai Massage Gun. Date: 09/26/201. [online]. [Site visited Jun. 9, 2021], Available from Internet URL: https://www.amazon.com/dp/B07XKFN65N?language=en_US&th=1 (Year: 2019).*

(**) Term: **15 Years**

Massage Guns. (Design—© Questel) orbit.com. [Online PDF compilation of references selected by examiner] 30 pgs. Print Dates Range Mar. 26, 2019-Aug. 20, 2019[Retrieved Jun. 4, 2021] <https://www.orbit.com/export/UCZAH96B/pdf4/7201f2c0-de6d-489b-973f-6b09521b8a55-165826.pdf> (Year: 2021).*

(21) Appl. No.: **29/731,239**

(22) Filed: **Apr. 13, 2020**

(30) **Foreign Application Priority Data**

Oct. 15, 2019 (CN) 201930561823.5

(51) **LOC (13) Cl.** **28-03**

(52) **U.S. Cl.**
USPC **D24/215**

(58) **Field of Classification Search**
USPC D24/215, 200, 211, 212, 213, 214, 133, D24/188, 107, 231; D8/14.1; D28/13
CPC . A61H 1/00; A61H 1/008; A61H 9/00; A61H 9/005; A61H 9/0007; A61H 9/0021; A61H 2015/0071; A61H 15/0078; A61H 15/0085; A61H 23/00; A61H 23/006; A61H 2023/002; A61H 23/06; A61H 23/02; A61H 2201/0153; A61H 2201/0157; A61H 7/005; A61H 7/003
See application file for complete search history.

* cited by examiner

Primary Examiner — Susan Bennett Hattan

Assistant Examiner — Landon Thomas Cassell

(74) *Attorney, Agent, or Firm* — Tsz Lung Yeung

(56) **References Cited**

U.S. PATENT DOCUMENTS

D414,295 S * 9/1999 Coleman D28/7
D487,219 S * 3/2004 Chudy D8/68
D544,102 S * 6/2007 Pivaroff D24/215
D606,247 S * 12/2009 Yu D28/13
D725,978 S * 4/2015 Uematsu D8/14.1
D855,822 S * 8/2019 Marton D24/215
D873,432 S * 1/2020 Duan D24/214
2019/0254921 A1 * 8/2019 Marton A61H 23/0254

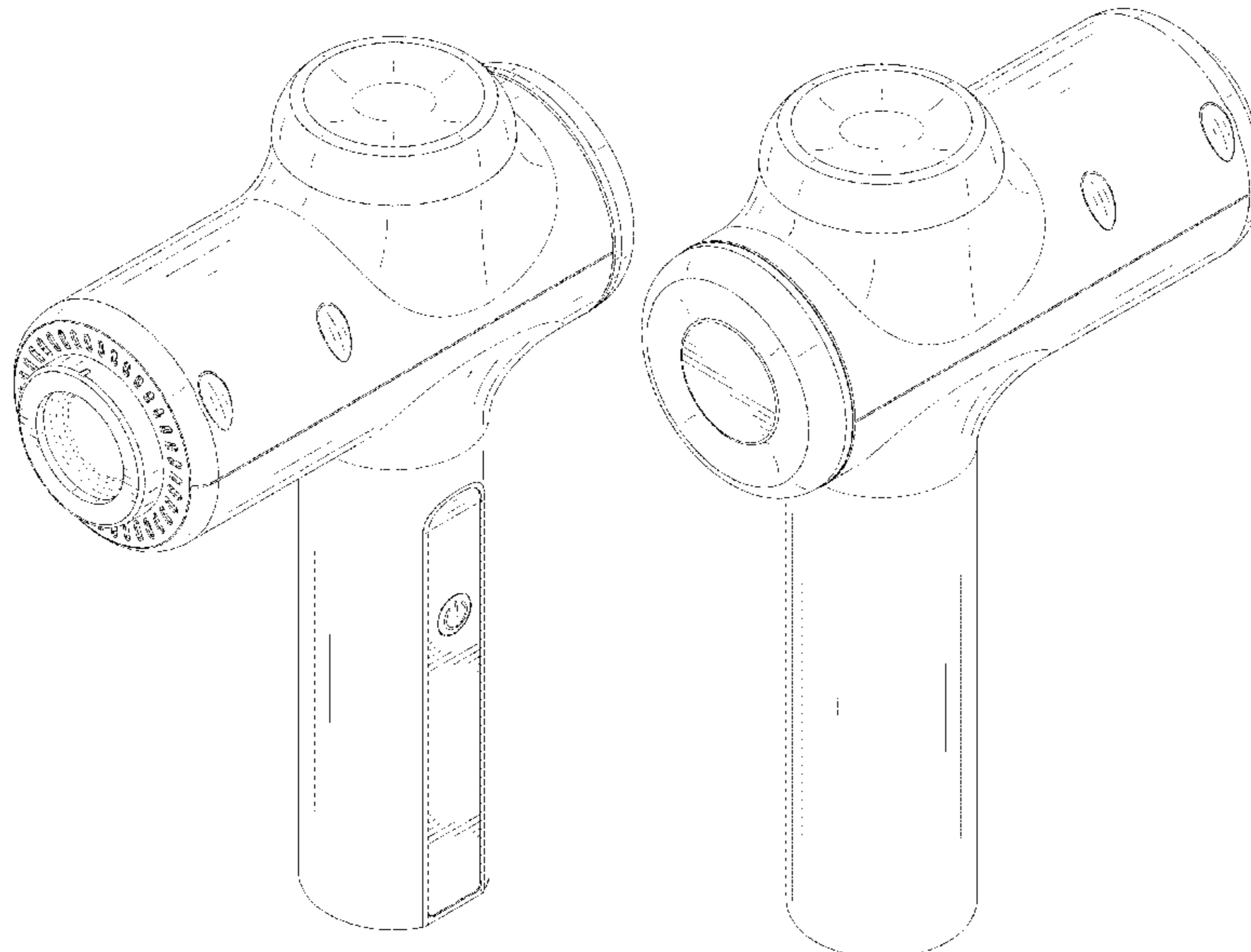
(57) **CLAIM**

The ornamental design for a muscle massage gun, as shown and described.

DESCRIPTION

FIG. 1 is a front perspective view of a muscle massage gun showing my new design;
FIG. 2 is a rear perspective view thereof;
FIG. 3 is a front view thereof;
FIG. 4 is a rear view thereof;
FIG. 5 is a left side view thereof;
FIG. 6 is a right side view thereof;
FIG. 7 is a top view thereof; and,
FIG. 8 is a bottom view thereof.
The broken lines in the drawings depict portions of the muscle massage gun that form no part of the claimed design.

1 Claim, 8 Drawing Sheets



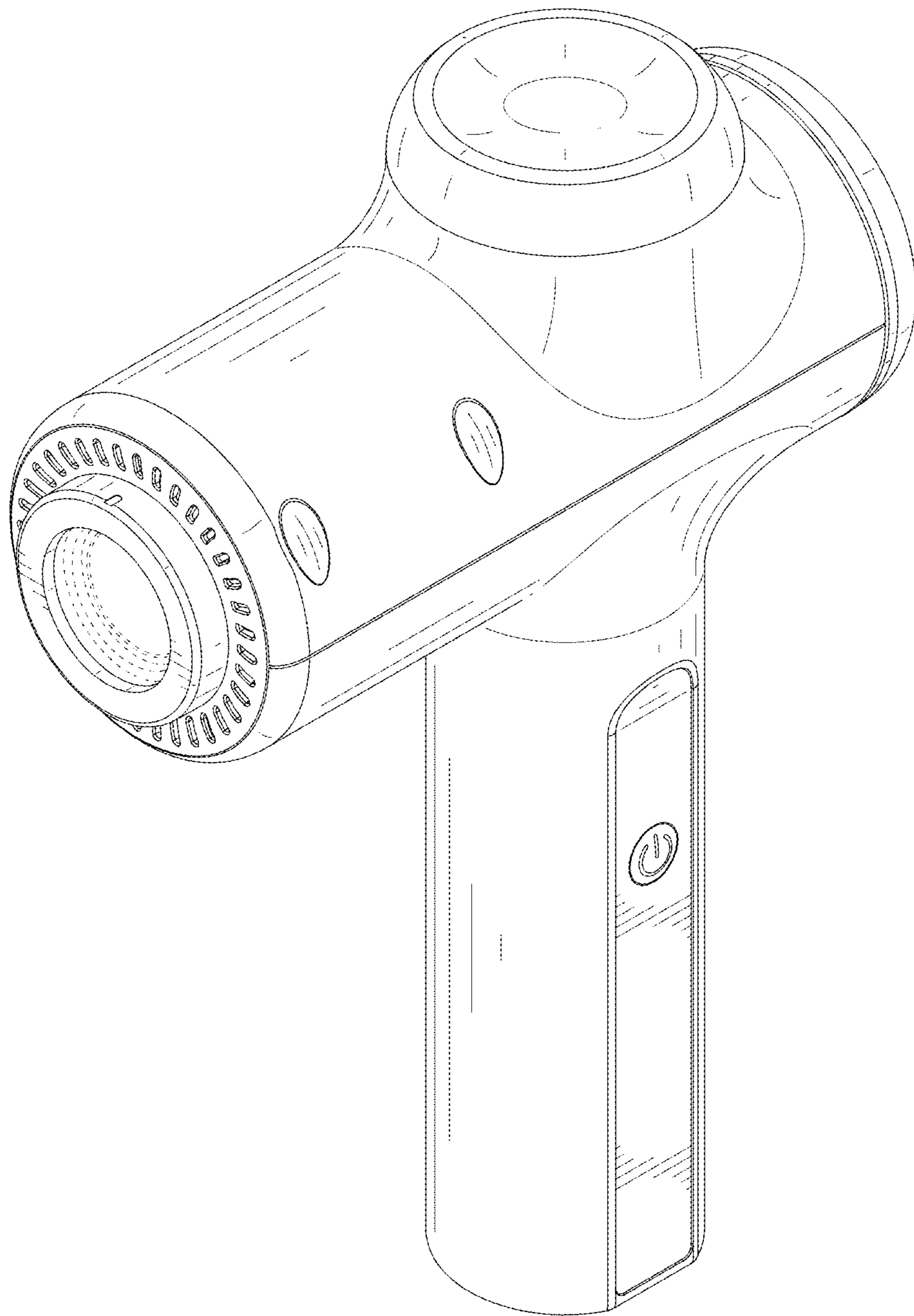


FIG.1

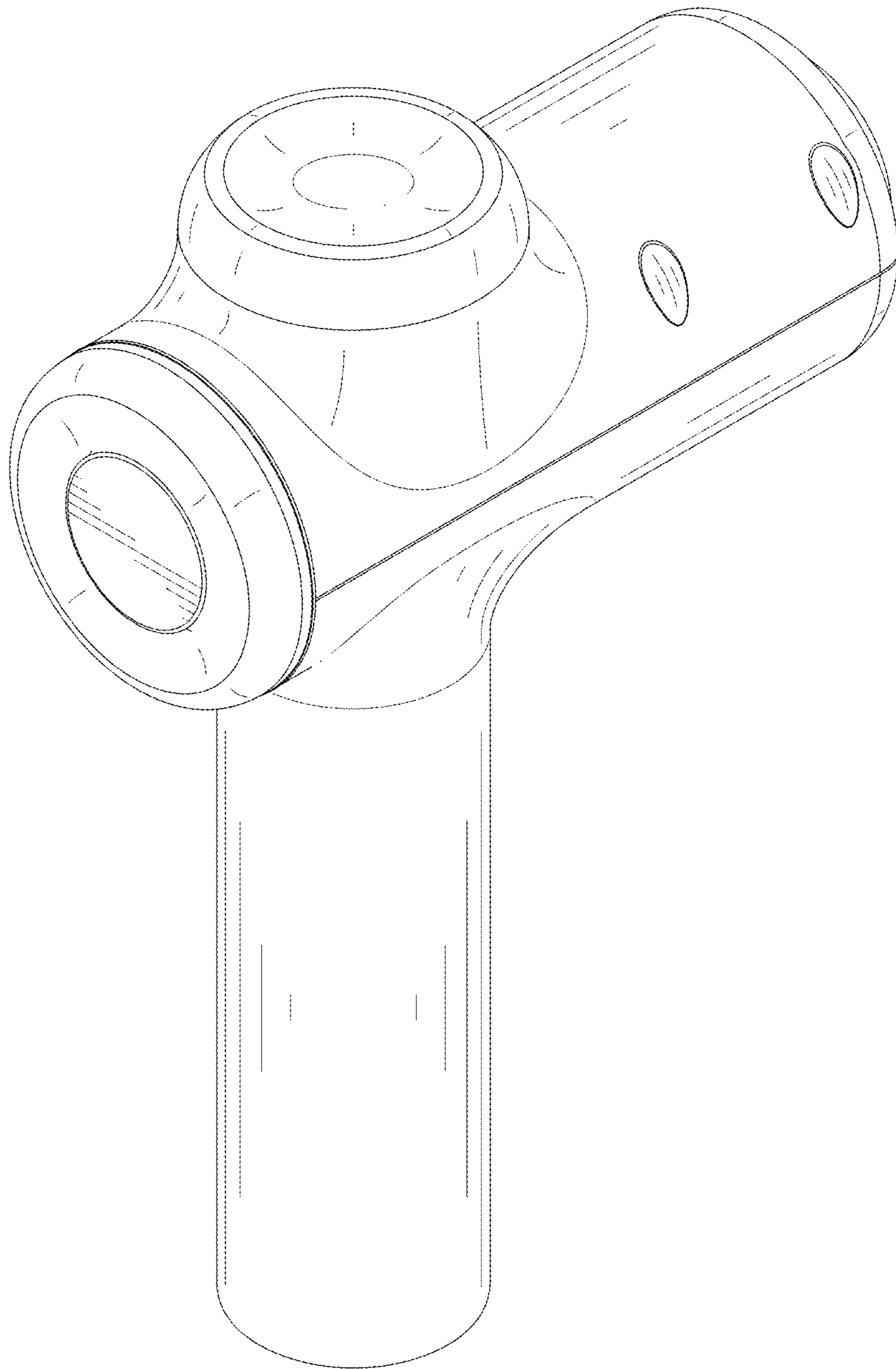


FIG.2

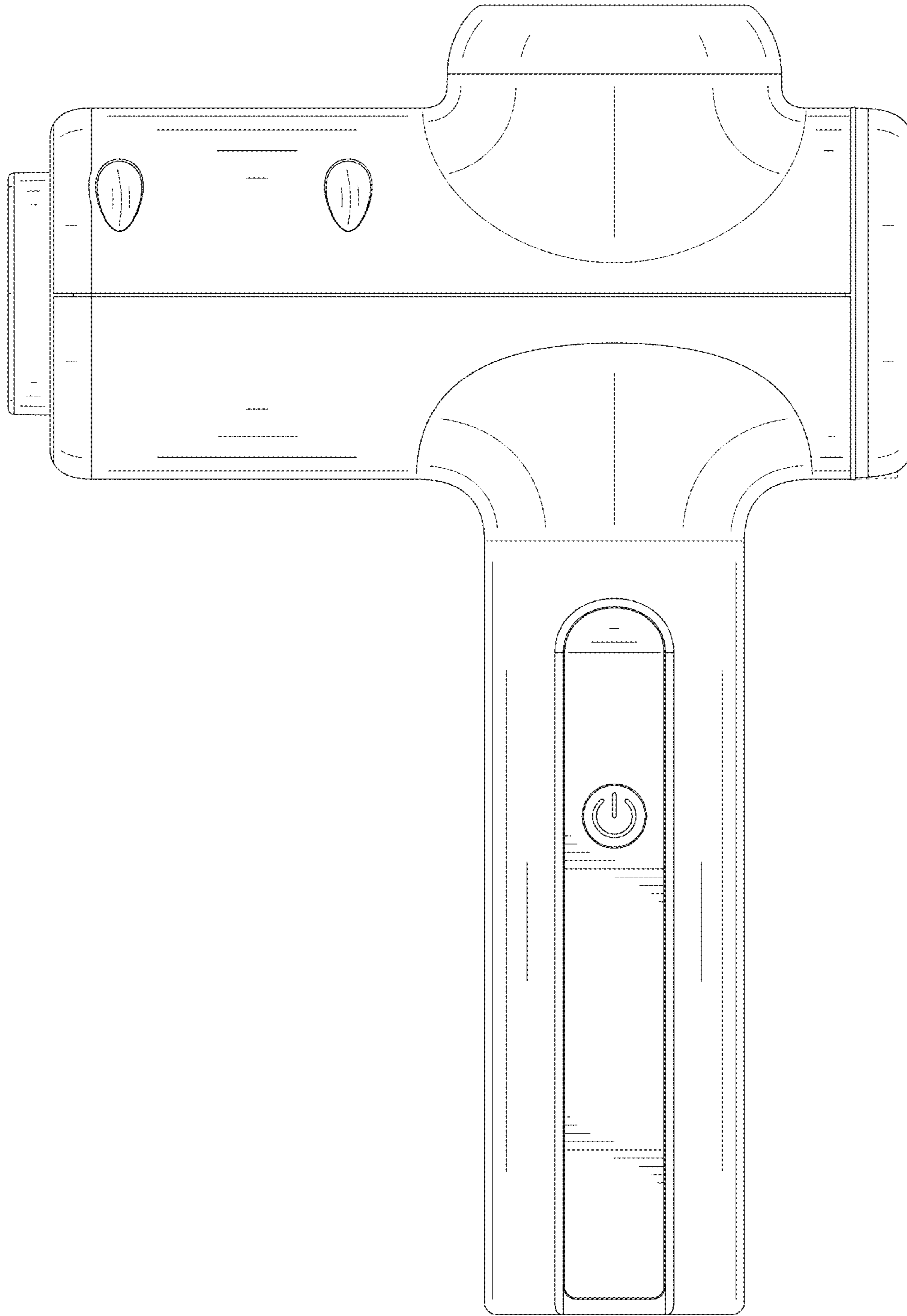


FIG.3

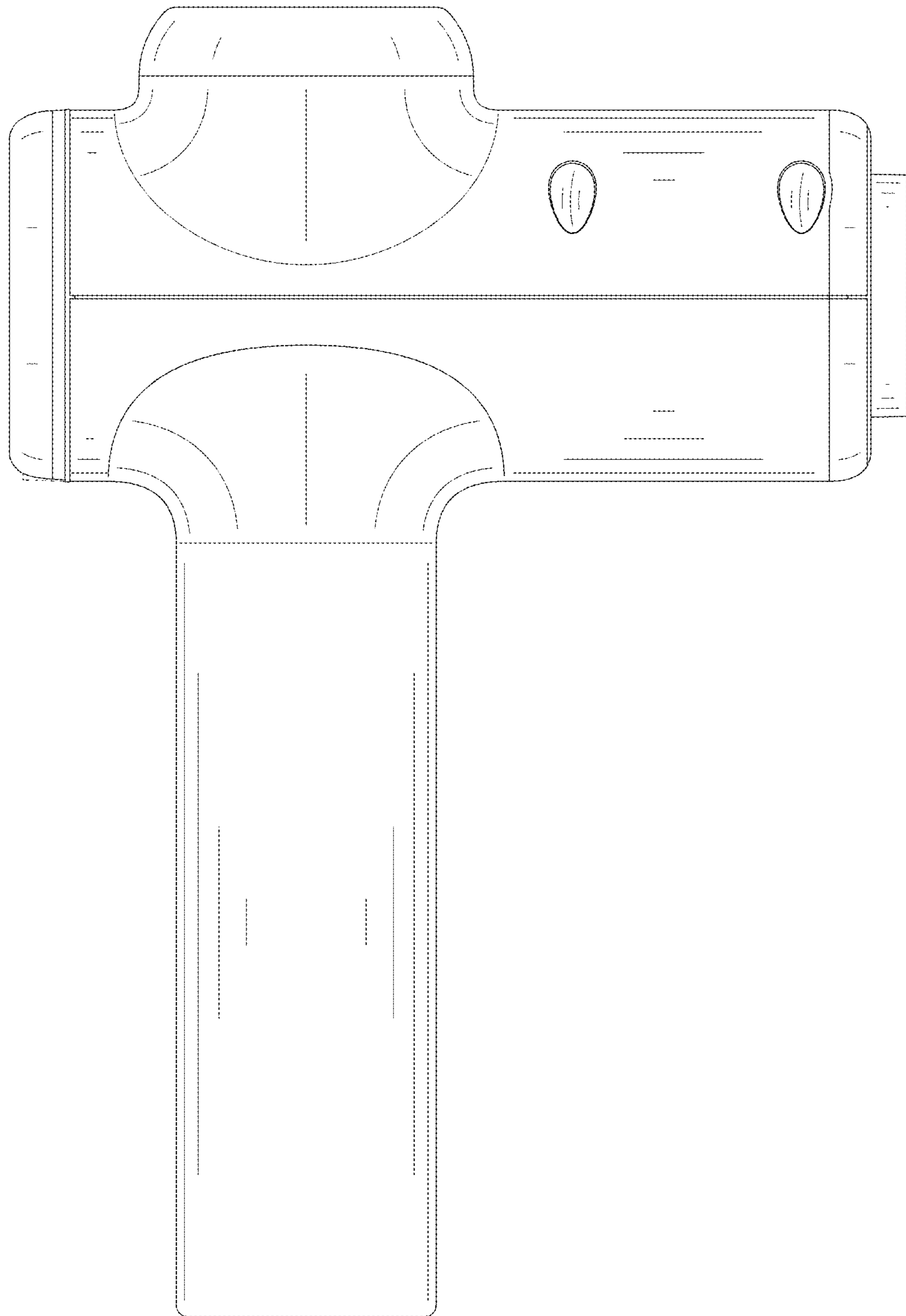


FIG.4

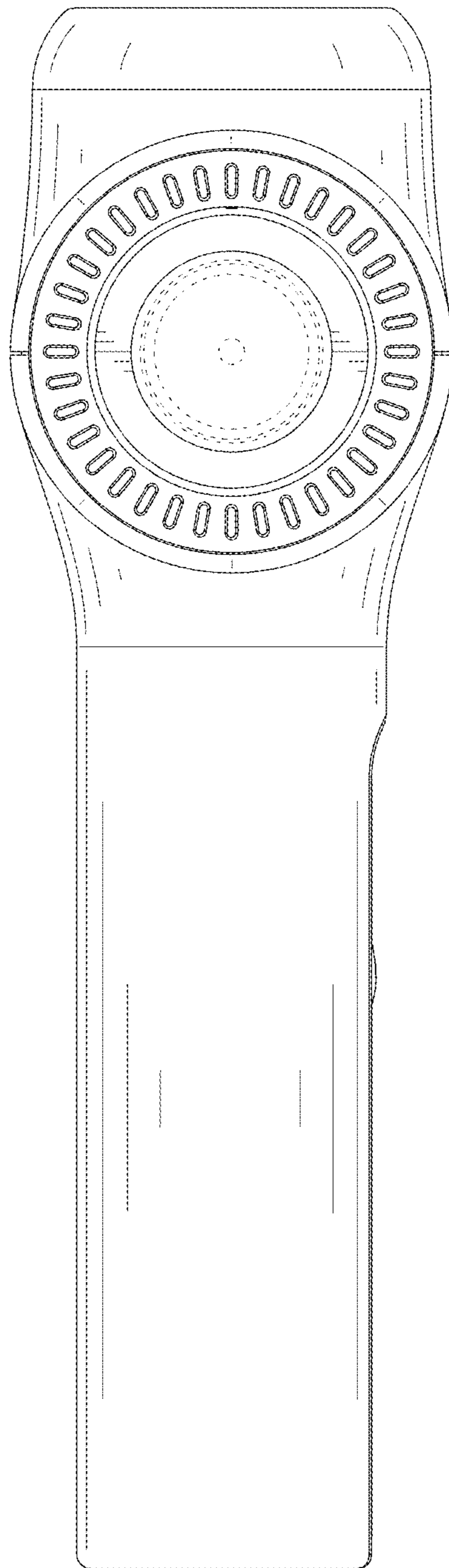


FIG.5

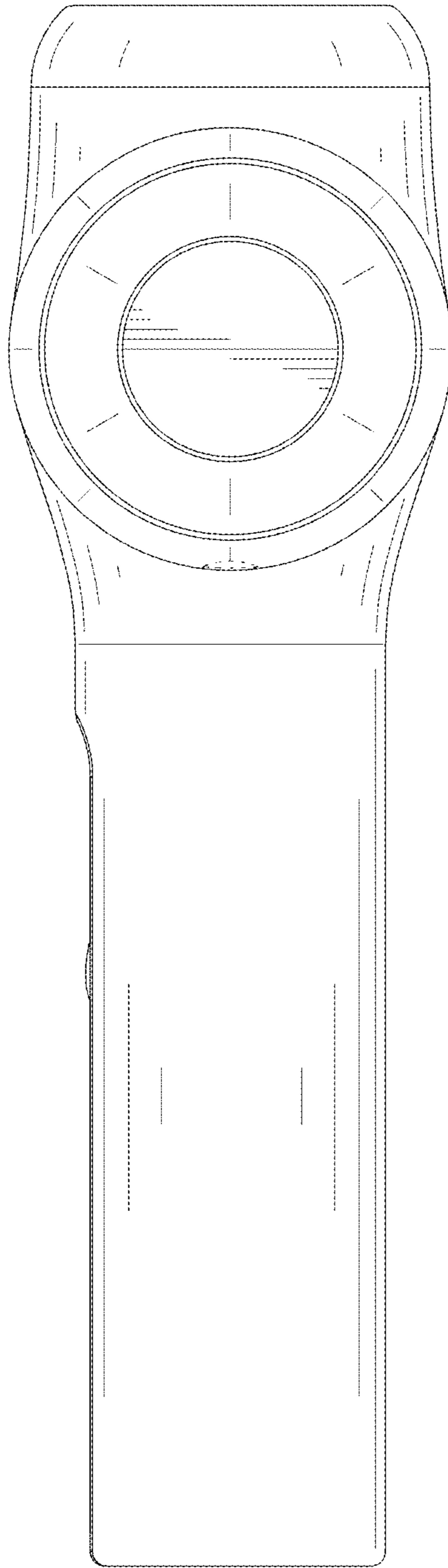


FIG.6

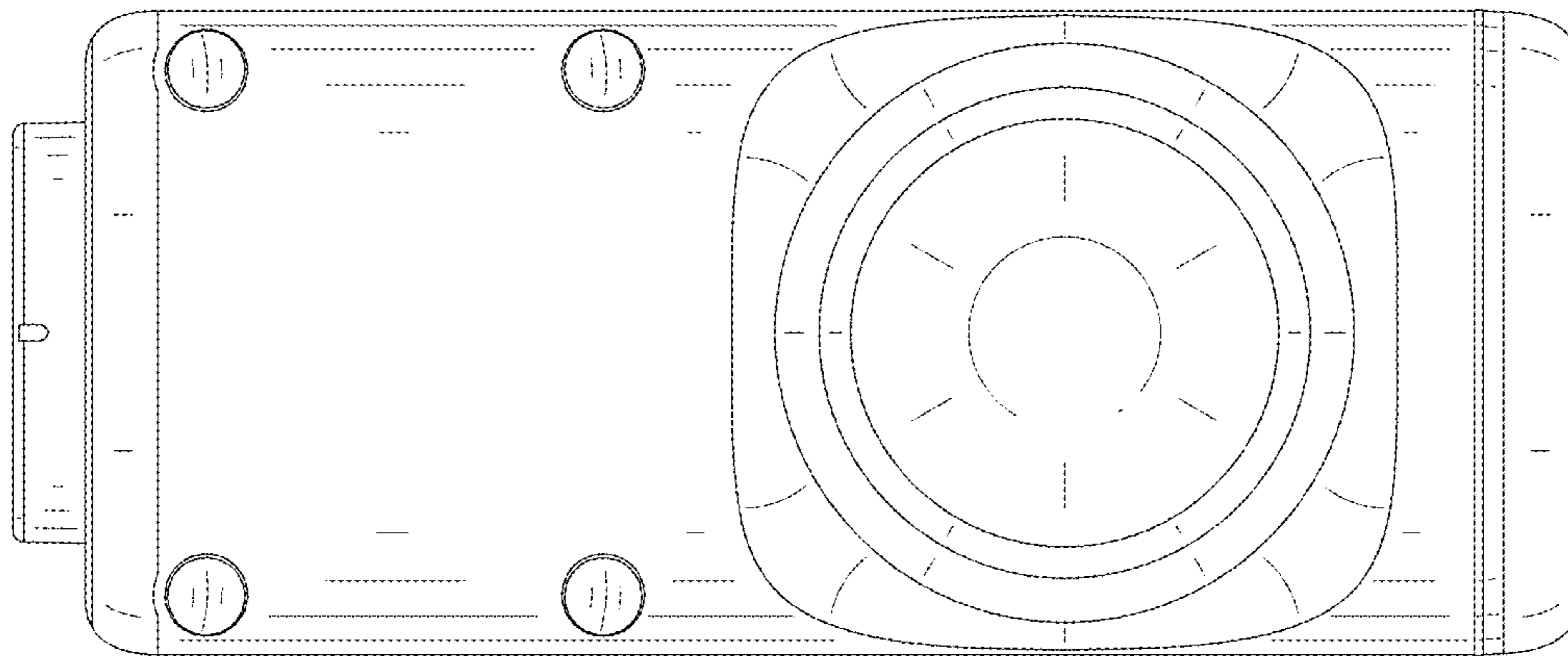


FIG.7

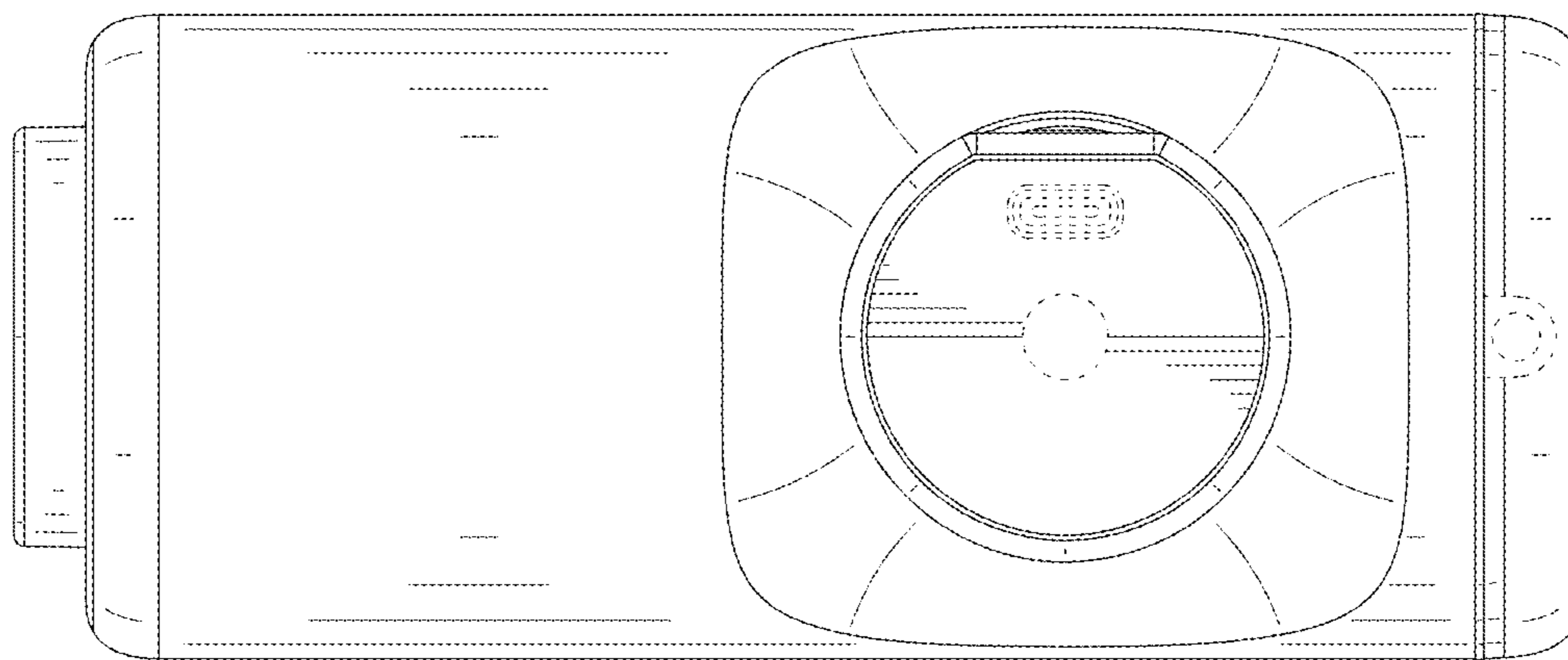


FIG.8