



US00D939723S

(12) **United States Design Patent**
Haddock et al.

(10) **Patent No.:** **US D939,723 S**

(45) **Date of Patent:** **** Dec. 28, 2021**

(54) **ELECTROMECHANICAL MASSAGER**

D908,909 S * 1/2021 Huang D24/215
D924,206 S * 7/2021 Yoon D14/218
D924,420 S * 7/2021 Liu D24/215

(71) Applicant: **Uccellini LLC**, Bend, OR (US)

(72) Inventors: **Lora LeeAnne Haddock**, Bend, OR (US); **Kimi Morooka Jensen**, Beaverton, OR (US); **Kim Porter Henneman**, Bend, OR (US)

OTHER PUBLICATIONS

Lora DiCarlo Carezza. Date: Not listed. [online]. [Site visited Aug. 6, 2021]. Available from Internet URL: https://goop.com/lora-dicarlo-carezza/p/?variant_id=91010 (Year: NA).*

(73) Assignee: **UCCELLINI LLC**, Bend, OR (US)

Unicliffe—Mini Penguin Massager. Date: Dec. 2, 2015. [online]. [Site visited Aug. 2, 2021]. Available from Internet URL: <https://www.amazon.com/dp/B018U6Q1V2/> (Year: 2015).*

(**) Term: **15 Years**

Massagers. (Design—© Questel) orbit.com. [Online PDF compilation of references] 75 pgs. Print Dates Range Nov. 9, 2010-May 10, 2019 [Retrieved Aug. 4, 2021] <https://www.orbit.com/export/UCZAH96B/pdf4/f60392a1-e6a1-4a09-a882-55abc28a6d3d-222244.pdf> (Year: 2021).*

(21) Appl. No.: **29/717,551**

(22) Filed: **Dec. 18, 2019**

(51) **LOC (13) Cl.** **28-03**

(52) **U.S. Cl.**
USPC **D24/215**

(58) **Field of Classification Search**
USPC D24/215, 200, 211, 212, 213, 214, 133, D24/188, 107, 231; D28/4, 7
CPC . A61H 1/00; A61H 7/00; A61H 7/001; A61H 7/002; A61H 7/003; A61H 7/007; A61H 9/00; A61H 9/0021; A61H 9/0007; A61H 9/005; A61H 19/00; A61H 19/30; A61H 19/50; A61H 23/00; A61H 23/008; A61H 23/0245; A61H 23/04; A61H 23/06
See application file for complete search history.

* cited by examiner

Primary Examiner — Susan Bennett Hattan

Assistant Examiner — Landon Thomas Cassell

(74) *Attorney, Agent, or Firm* — Maxine Lynn Barasch; Keohane & D'Alessandro, PLLC

(57) **CLAIM**

The ornamental design for an electromechanical massager, as shown and described.

(56) **References Cited**

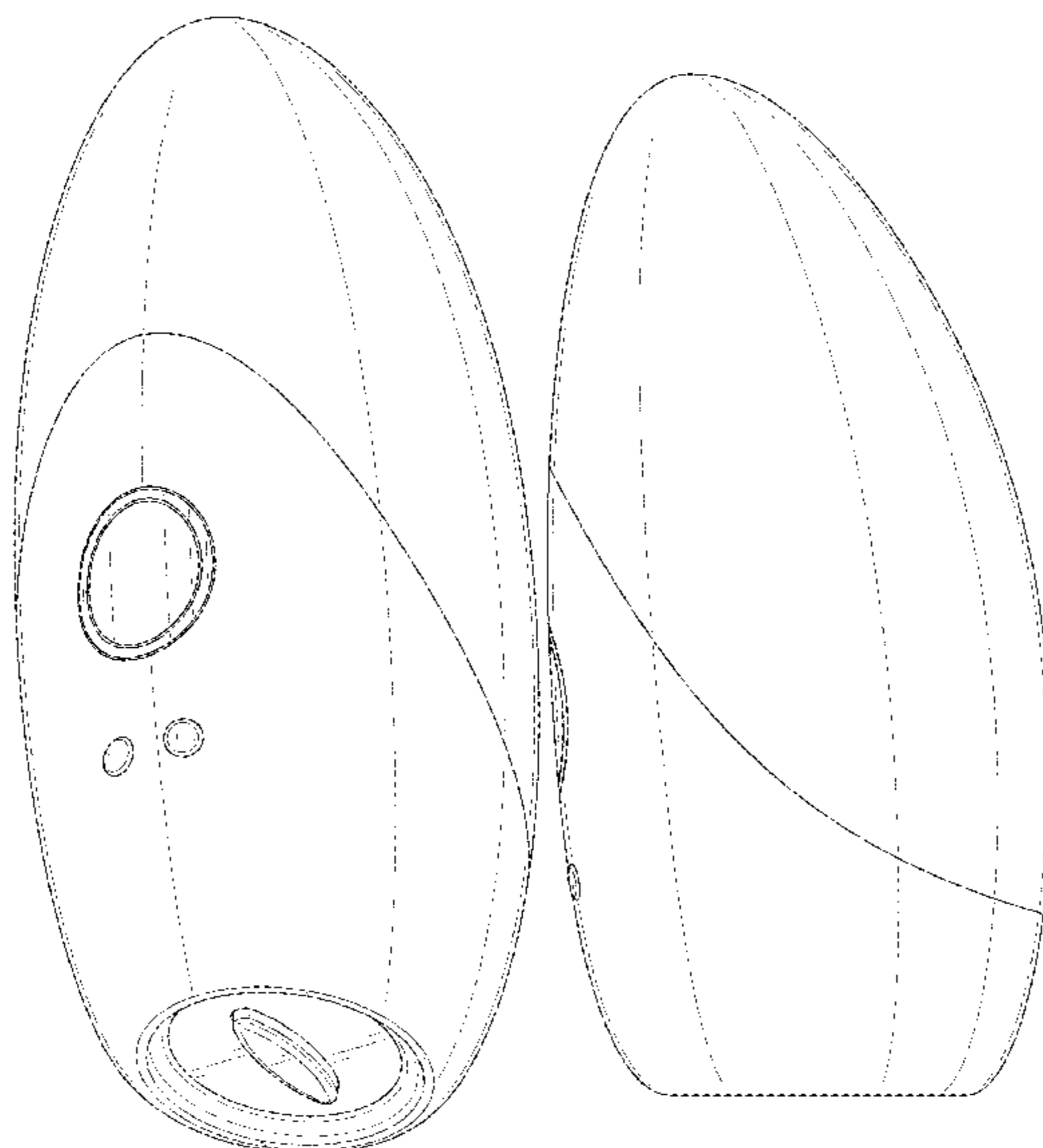
DESCRIPTION

U.S. PATENT DOCUMENTS

D366,875 S * 2/1996 Kakizaki D14/218
D657,885 S * 4/2012 Imboden D24/215
D722,175 S * 2/2015 Matsuura D24/215
D831,886 S * 10/2018 Patel D28/7
D850,644 S * 6/2019 Sedic D24/215
D870,903 S * 12/2019 Weisman D24/200
D893,800 S * 8/2020 Stern D28/8.1
D902,425 S * 11/2020 Cornaro D24/215
D902,426 S * 11/2020 Cornaro D24/215
D904,638 S * 12/2020 Shiota D24/215

FIG. 1 is a front top right side perspective of an electromechanical massager;
FIG. 2 is a rear bottom left-side perspective view thereof;
FIG. 3 is a front elevational view thereof;
FIG. 4 is a rear elevational view thereof;
FIG. 5 is a left-side elevational view thereof;
FIG. 6 is a right-side elevational view thereof;
FIG. 7 is a top plan view thereof; and,
FIG. 8 is a bottom plan view thereof.

1 Claim, 8 Drawing Sheets



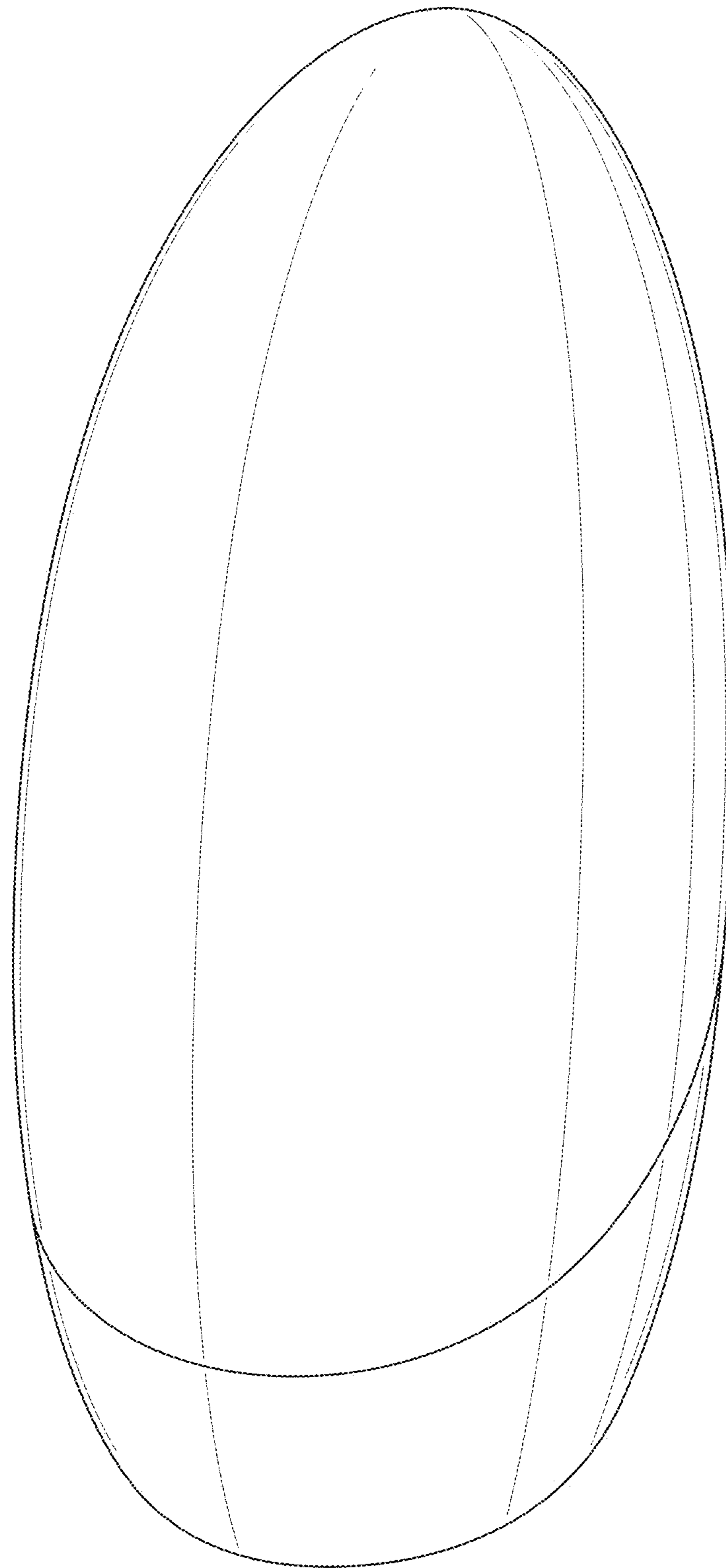


FIG. 1

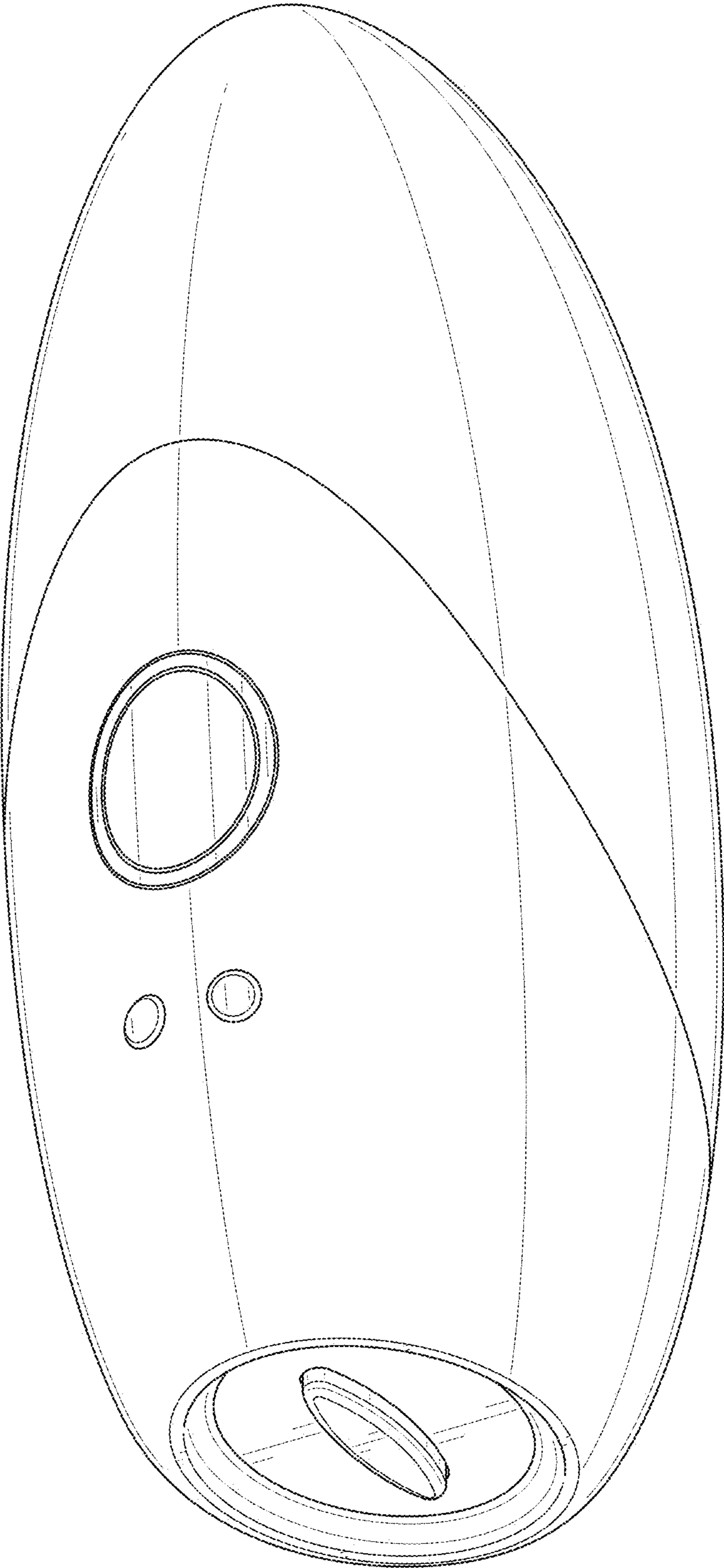


FIG. 2

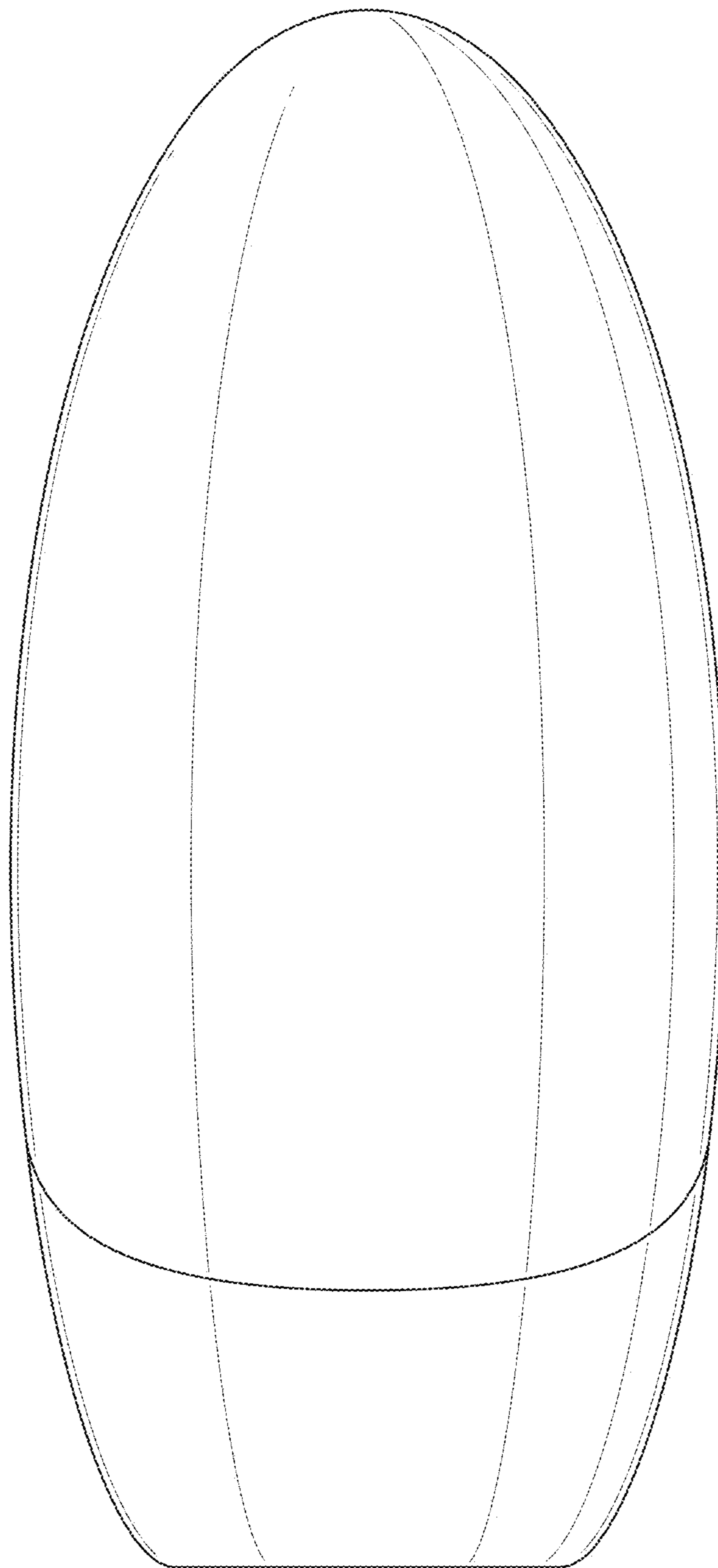


FIG. 3

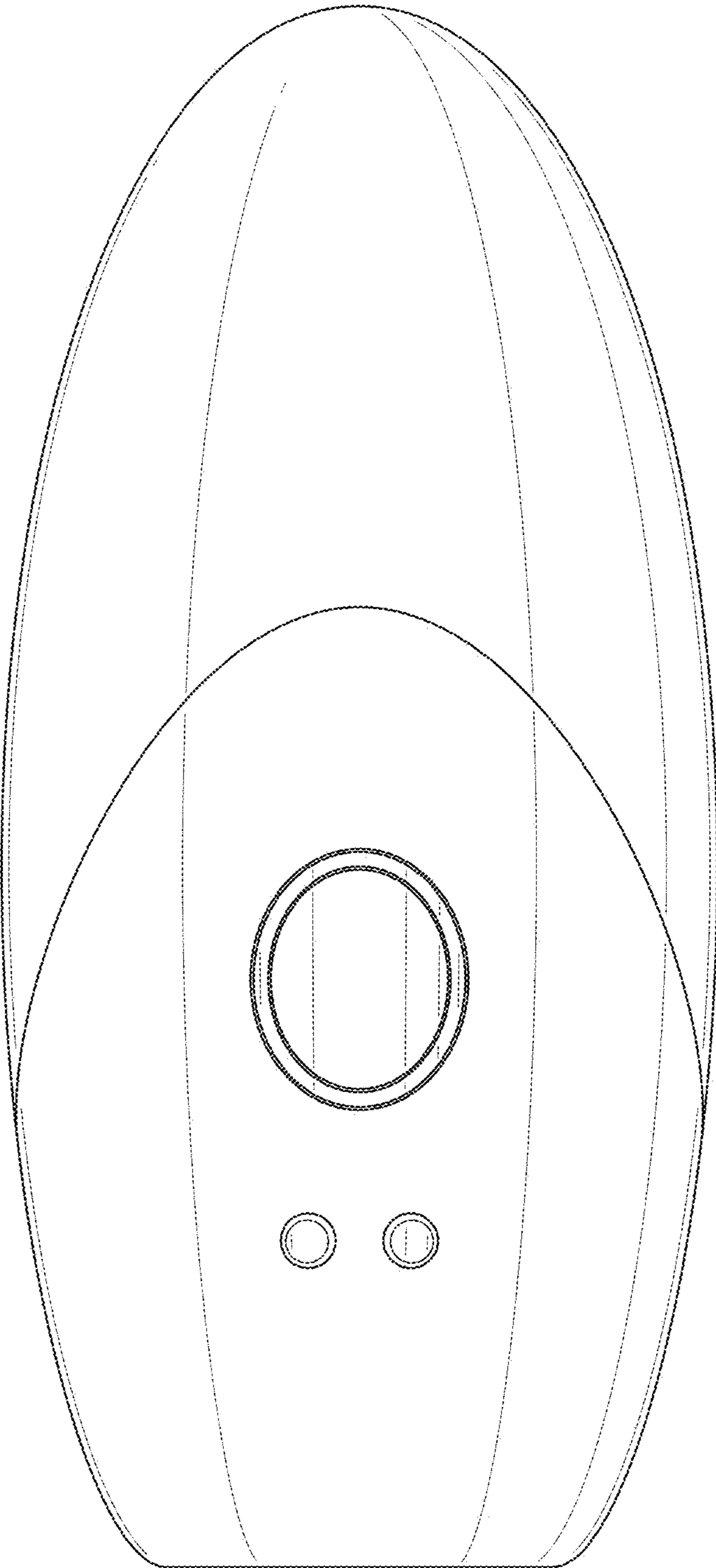


FIG. 4



FIG. 5

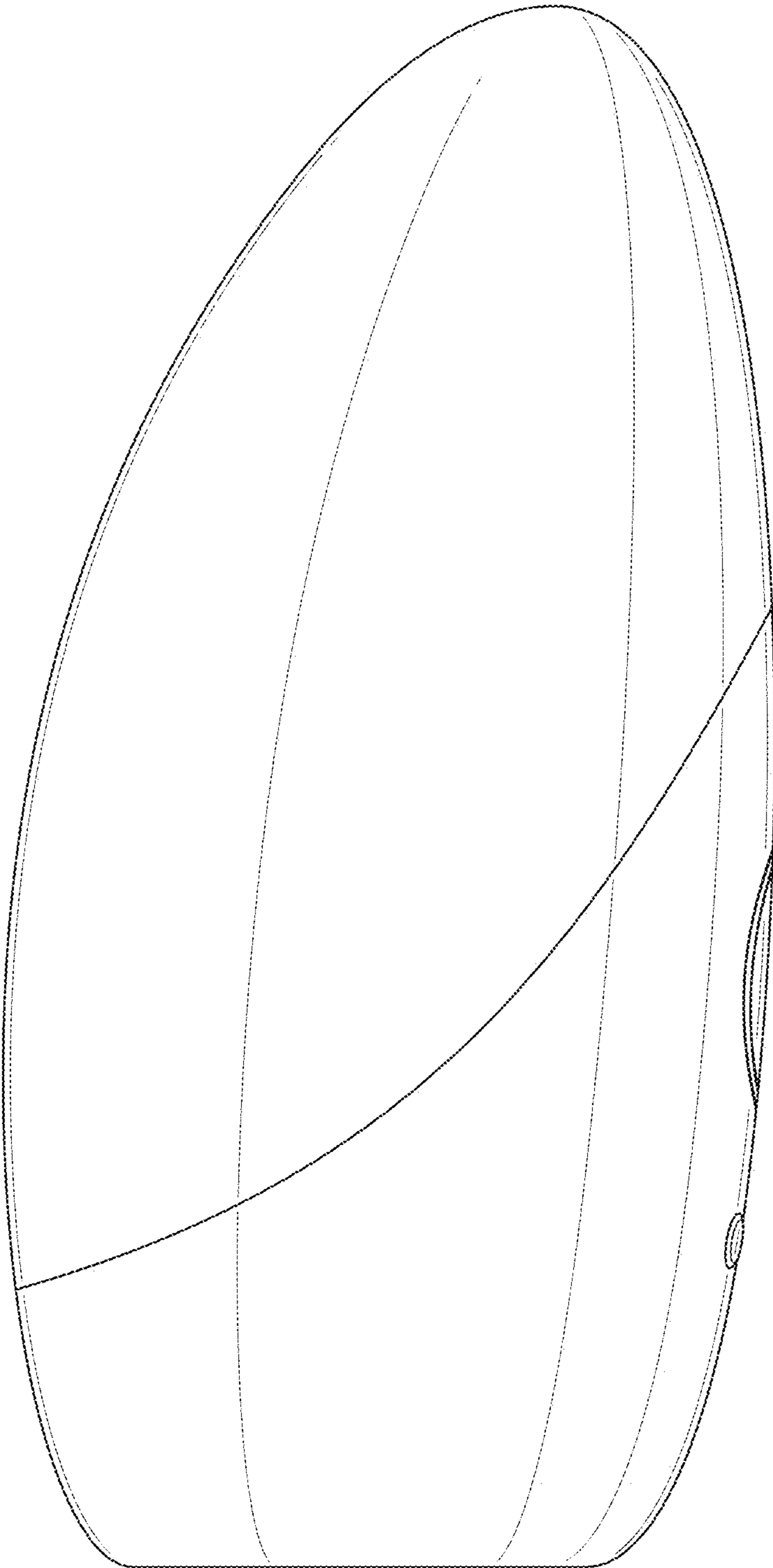


FIG. 6

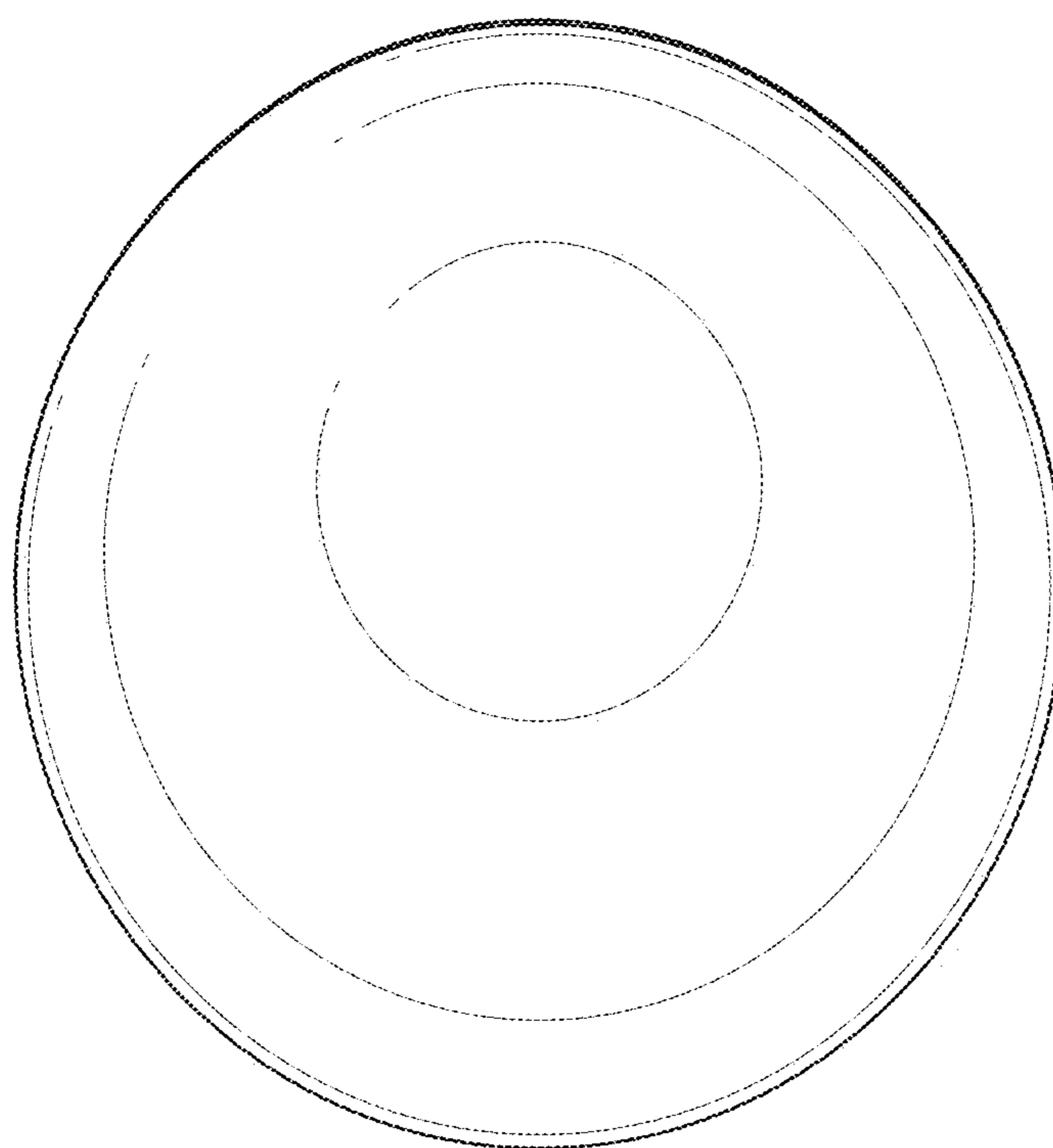


FIG. 7

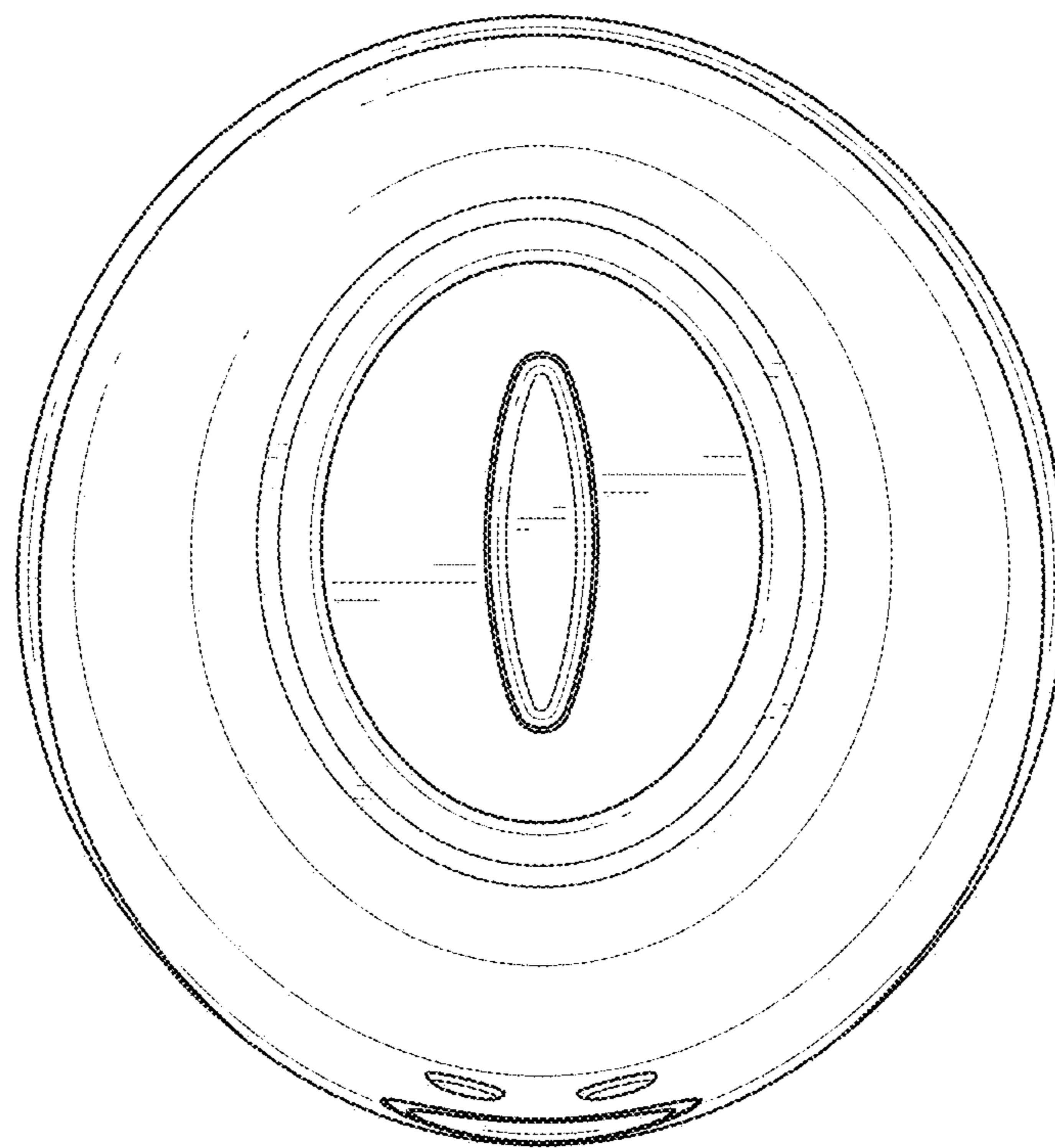


FIG. 8