



US00D939720S

(12) **United States Design Patent**
Wang

(10) **Patent No.:** **US D939,720 S**

(45) **Date of Patent:** **** Dec. 28, 2021**

(54) **WAX WARMER**

(71) Applicant: **Weiyue Wang**, Guangdong (CN)

(72) Inventor: **Weiyue Wang**, Guangdong (CN)

(**) Term: **15 Years**

(21) Appl. No.: **29/751,183**

(22) Filed: **Sep. 18, 2020**

(51) **LOC (13) Cl.** **28-03**

(52) **U.S. Cl.**
USPC **D24/200**

(58) **Field of Classification Search**
USPC D24/200, 204; D7/538, 629; D9/424,
D9/428

CPC A61F 7/00; A61F 7/007; A61F 7/0085;
A61F 2007/0001; A61F 2007/0004; A61F
2007/0014; A61F 2007/0015; A61F
2007/0024; A61F 2007/0029; A61F
2007/0039; H05B 3/00; H05B 3/0052;
H05B 3/26; A47J 27/004; A47J 36/06;
A61L 9/12; A61L 9/03; F27B 14/12

See application file for complete search history.

(56) **References Cited**

U.S. PATENT DOCUMENTS

D442,284 S * 5/2001 Ferber D24/200
10,086,102 B2 * 10/2018 Belongia A61L 9/03

D838,859 S * 1/2019 Yu D24/200
10,363,333 B2 * 7/2019 Belongia A61L 9/03
D914,223 S * 3/2021 Wang D24/200
D914,224 S * 3/2021 Wang D24/200
D932,641 S * 10/2021 Mo D24/200

* cited by examiner

Primary Examiner — Wan Laymon

(74) *Attorney, Agent, or Firm* — ScienBiziP, P.C.

(57) **CLAIM**

The ornamental design for a wax warmer, as shown and described.

DESCRIPTION

FIG. 1 is a top perspective view of a wax warmer, showing my design.

FIG. 2 is a bottom perspective view thereof.

FIG. 3 is a front elevation view thereof.

FIG. 4 is a rear elevation view thereof.

FIG. 5 is a left side elevation thereof.

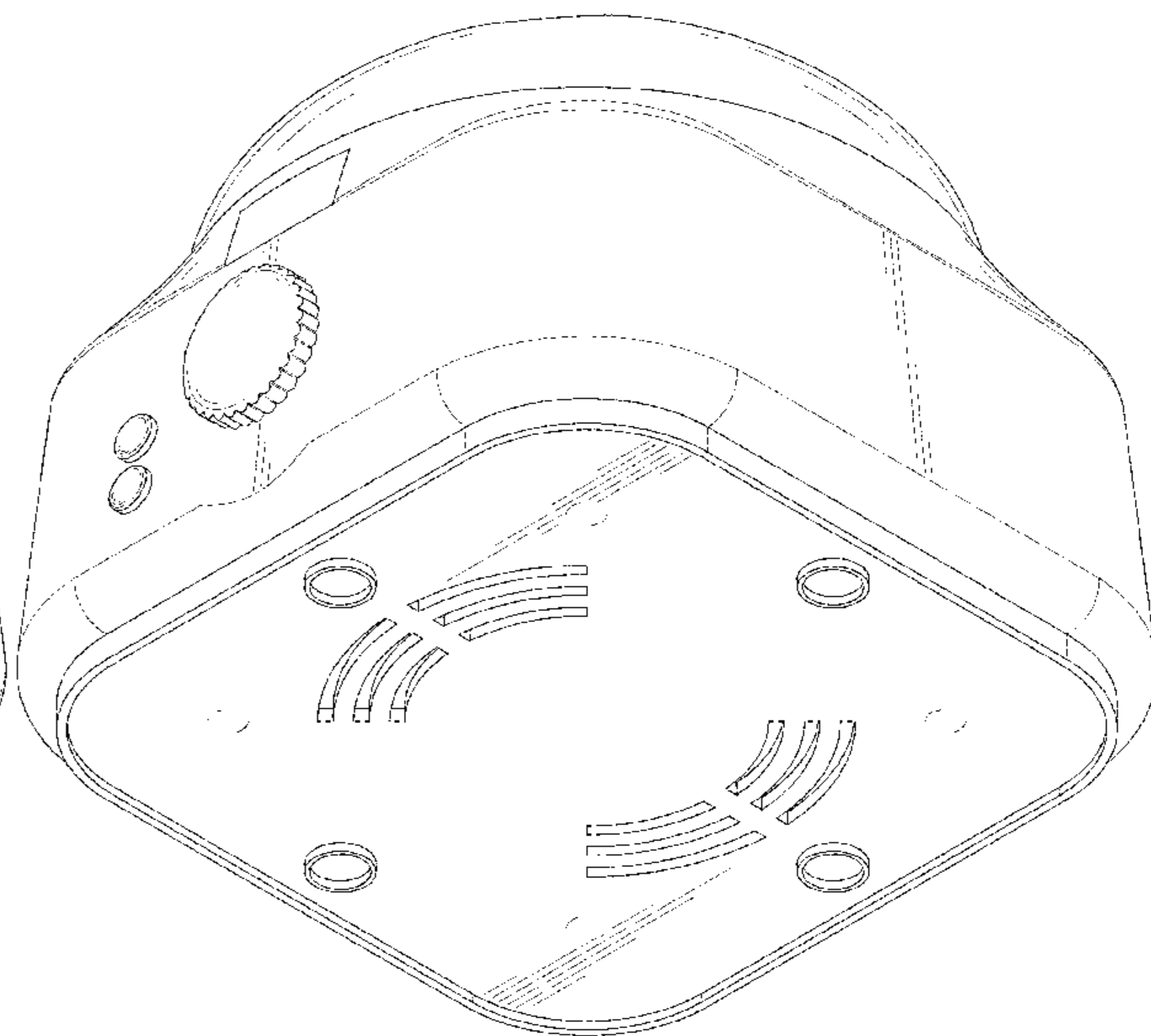
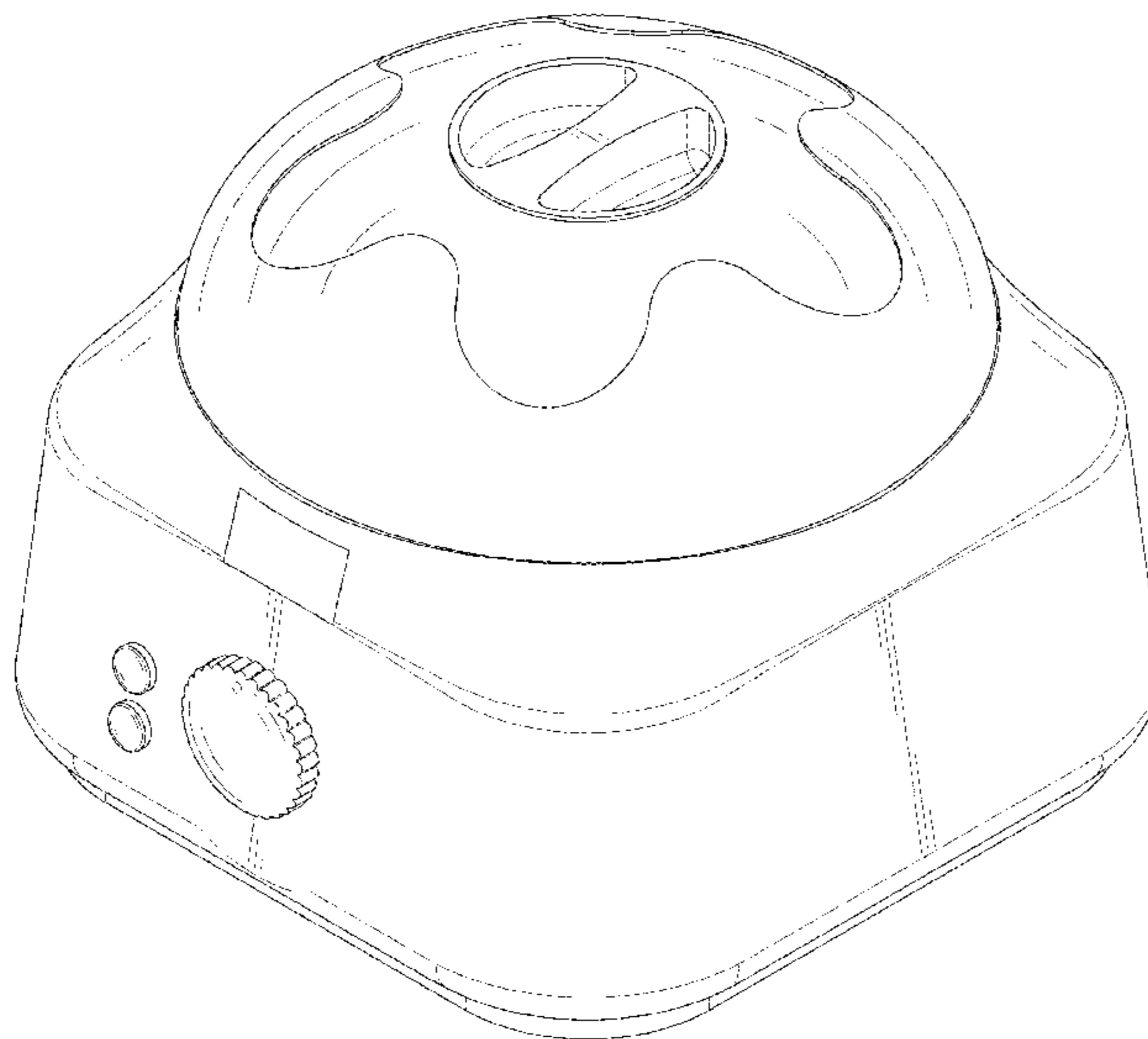
FIG. 6 is a right side elevation thereof.

FIG. 7 is a top plan view thereof; and,

FIG. 8 is a bottom plan view thereof.

The broken line in the drawings is included for the purpose of illustration portions of the wax warmer and forms no part of the claimed design.

1 Claim, 8 Drawing Sheets



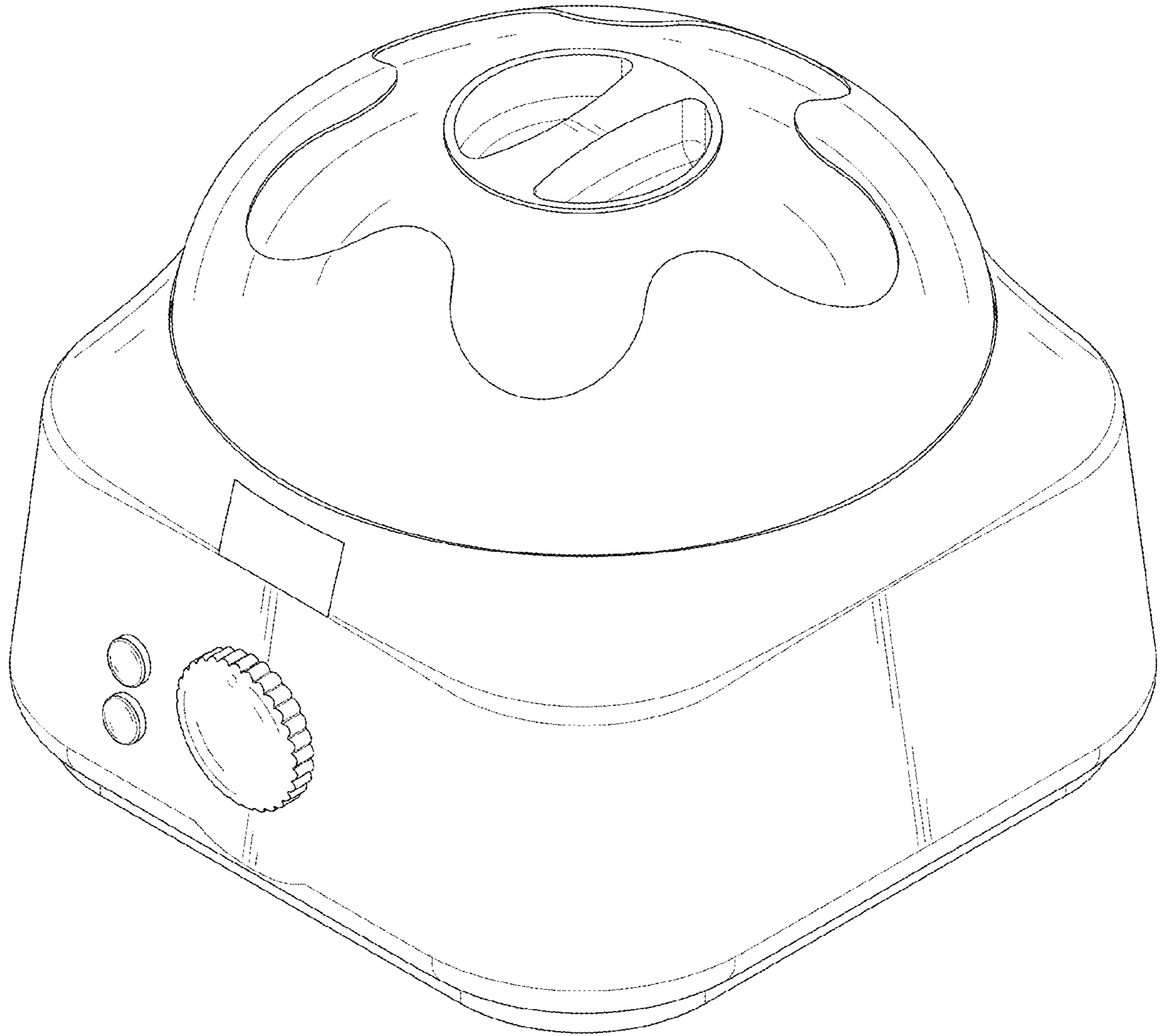


FIG.1

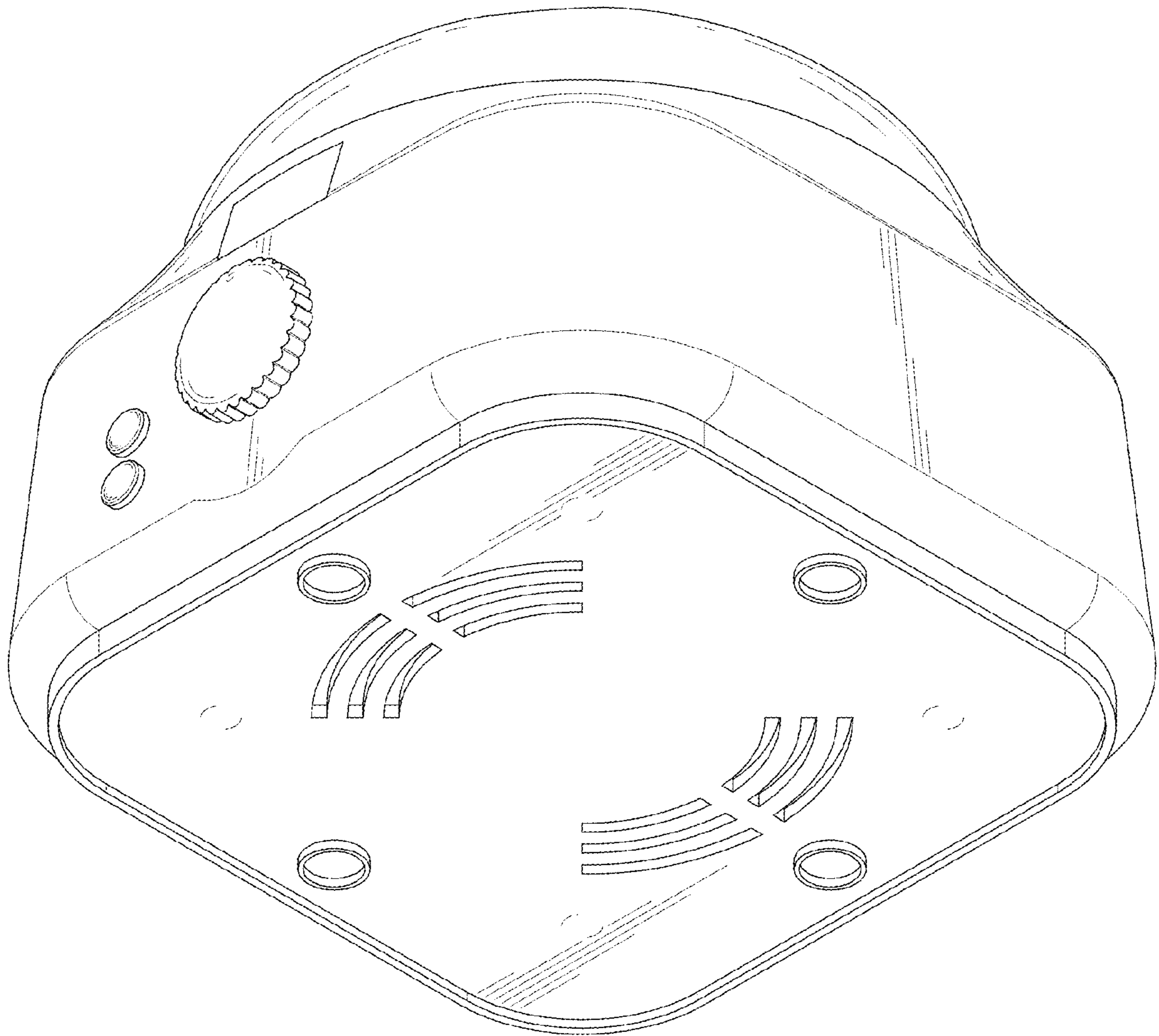


FIG.2

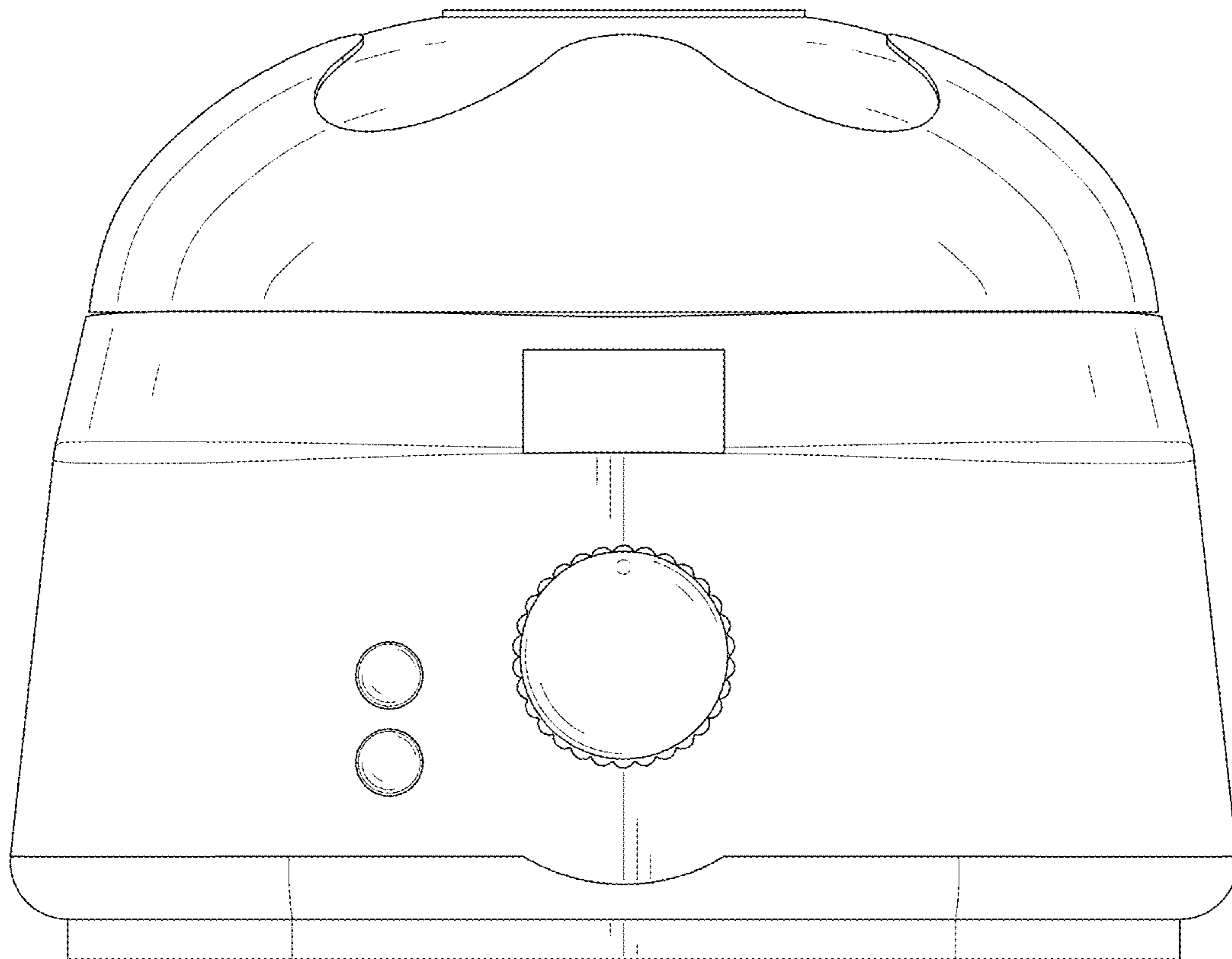


FIG.3

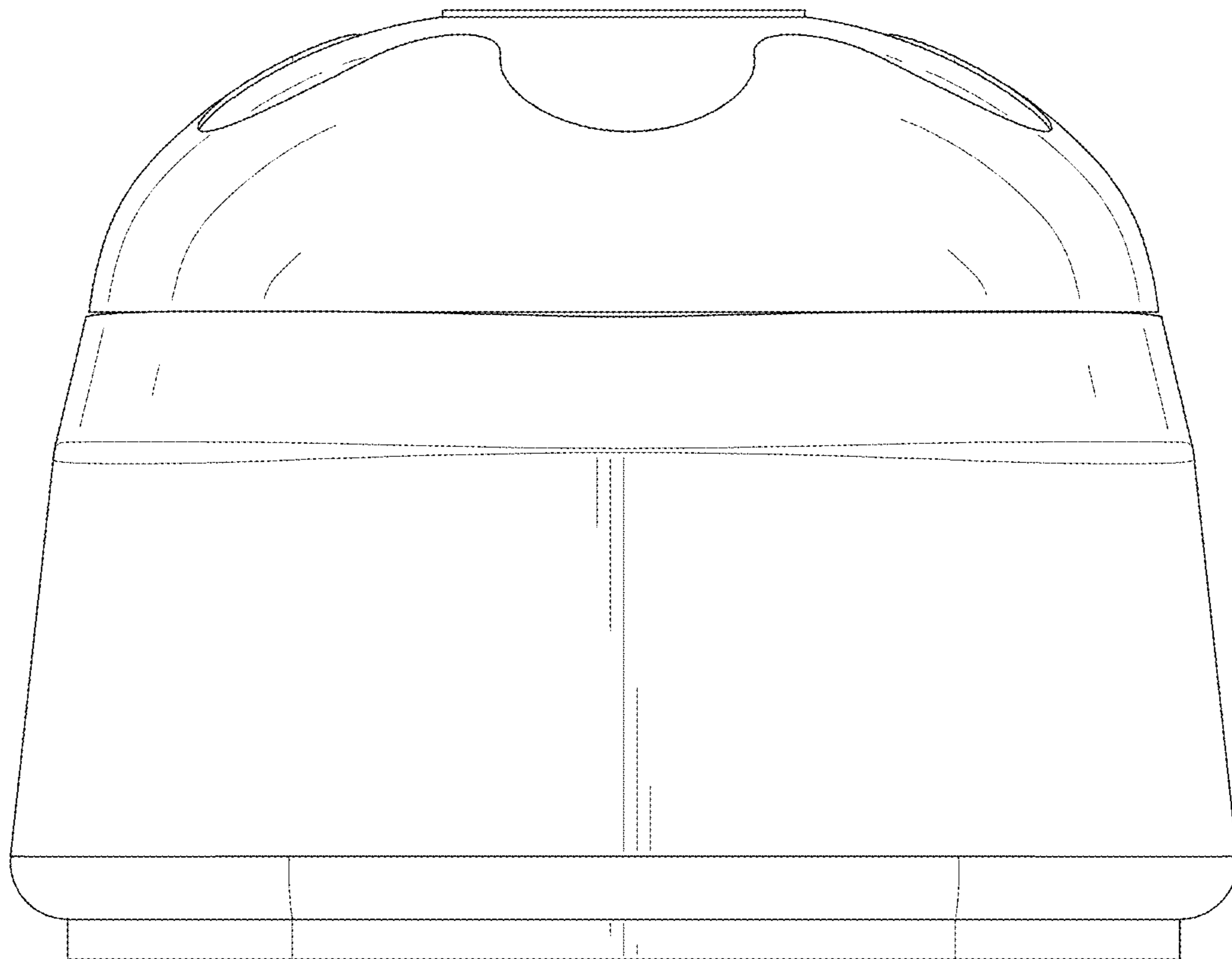


FIG.4

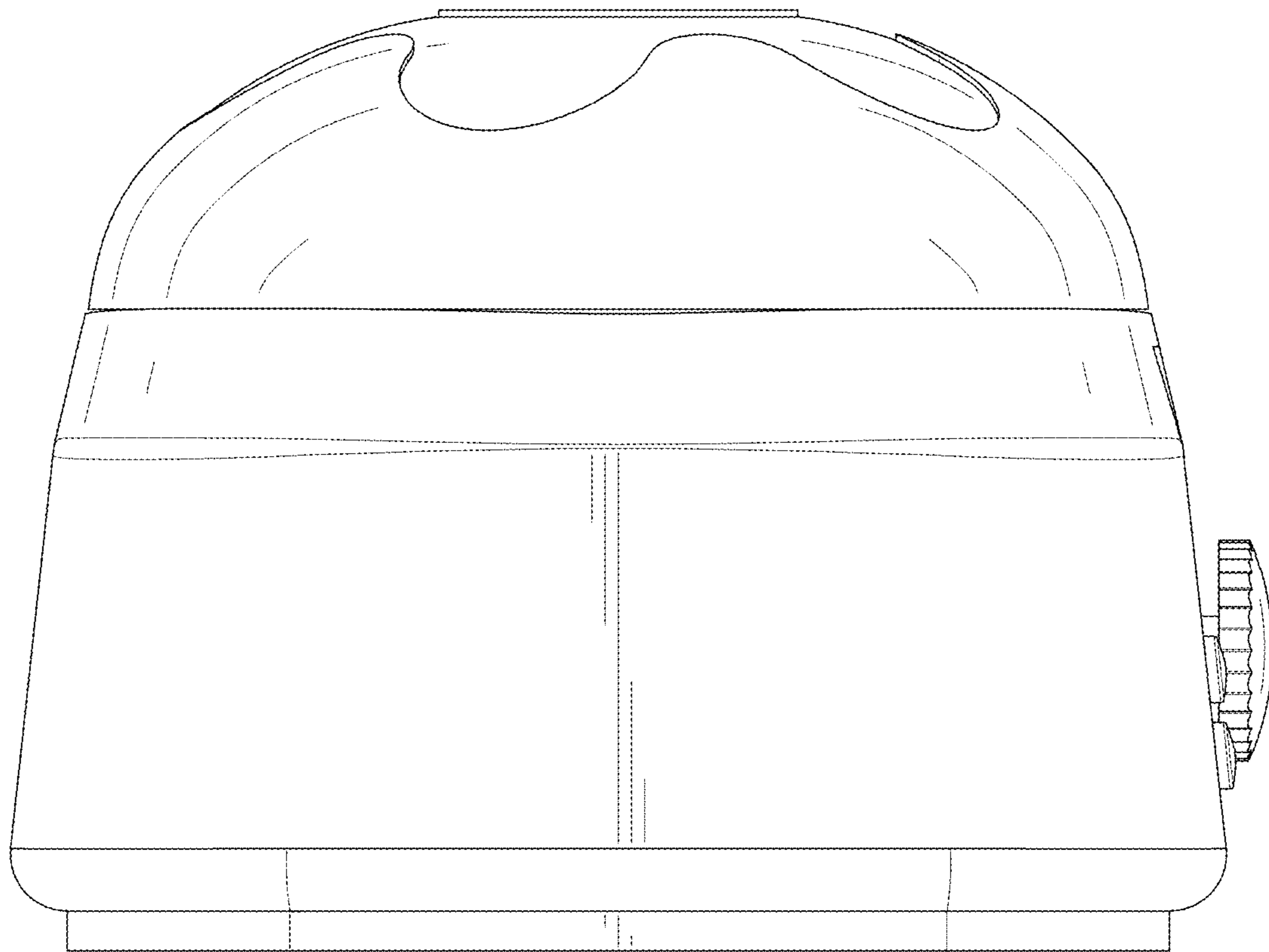


FIG.5

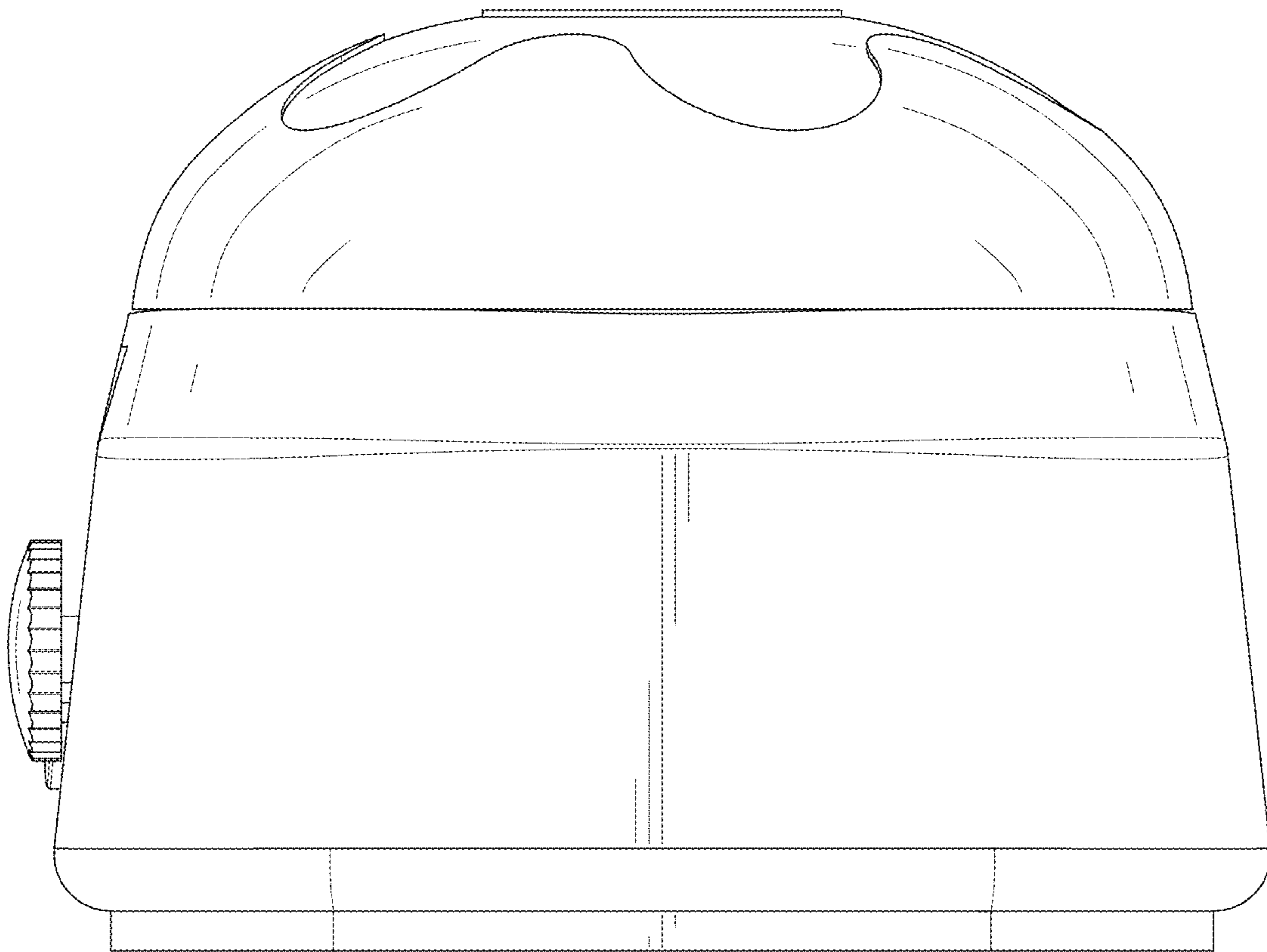


FIG.6

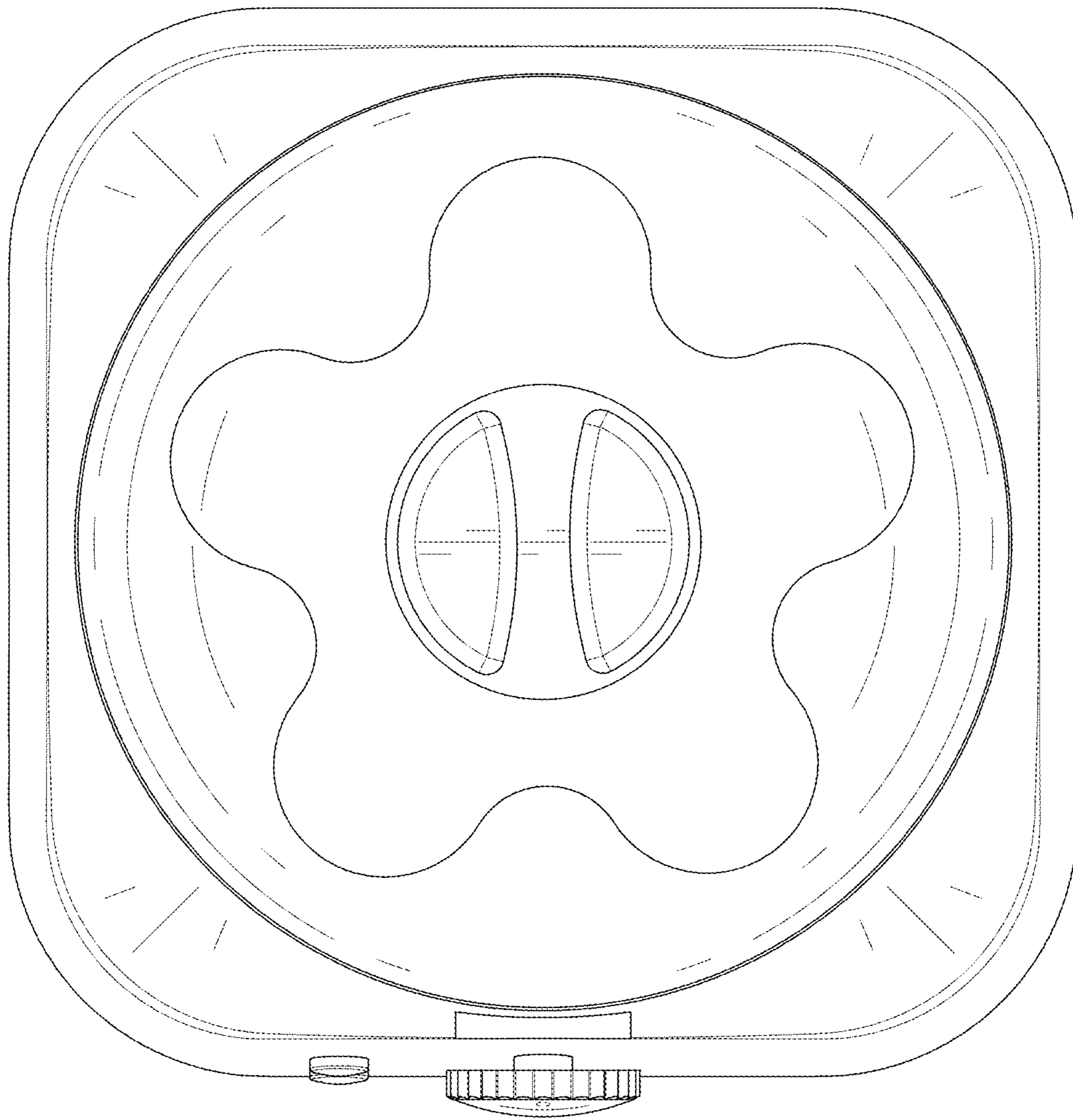


FIG. 7

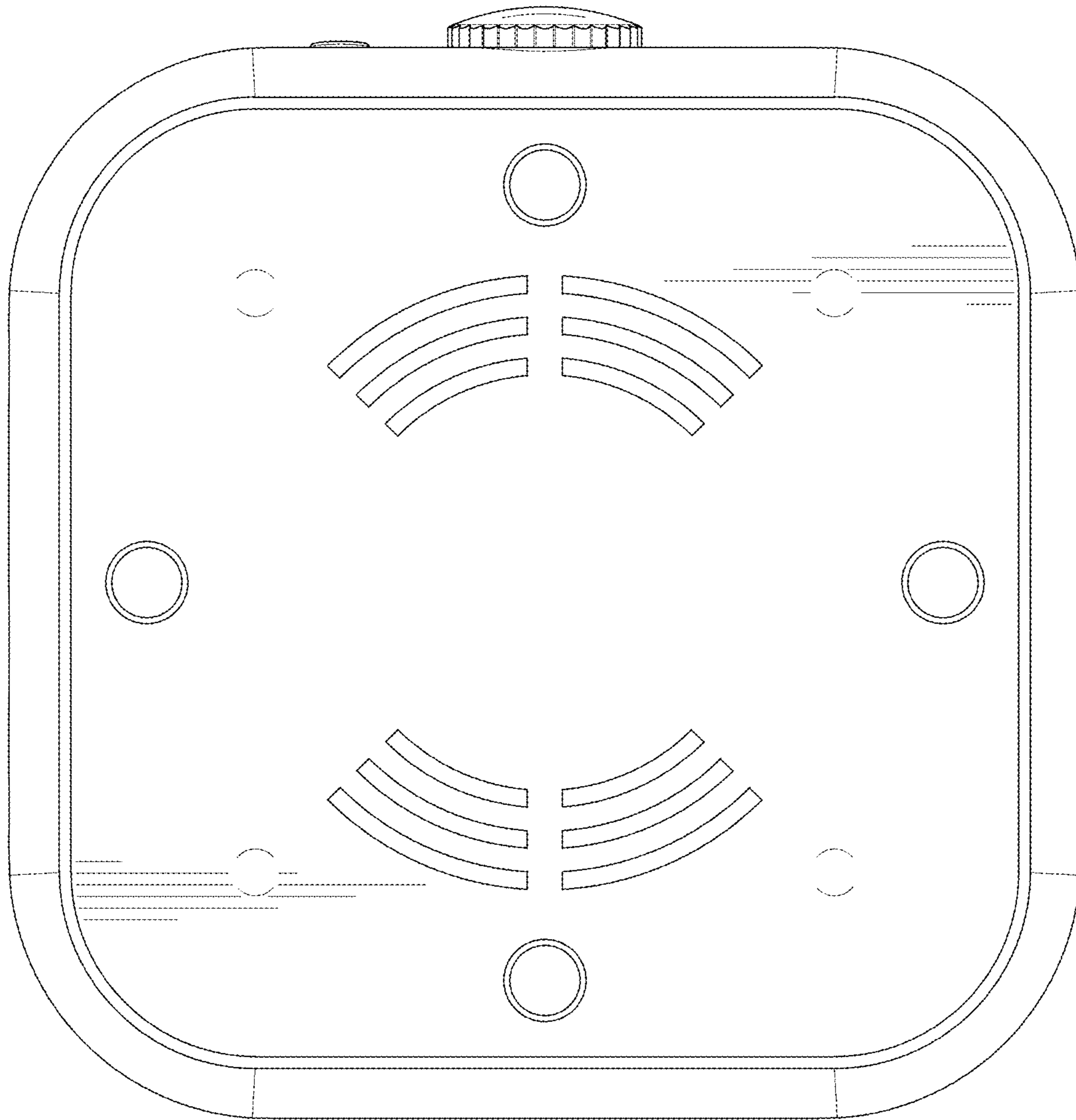


FIG.8