



US00D939719S

(12) **United States Design Patent**
Liu

(10) **Patent No.:** **US D939,719 S**

(45) **Date of Patent:** **** Dec. 28, 2021**

(54) **PARAFFIN WAX WARMER**

(71) Applicant: **Guangzhou Fourto Sanitary Products Co., LTD**, Guangdong (CN)

(72) Inventor: **Ziyi Liu**, Guangdong (CN)

(73) Assignee: **Guangzhou Fourto Sanitary Products Co., LTD**, Guangzhou (CN)

(**) Term: **15 Years**

(21) Appl. No.: **29/743,768**

(22) Filed: **Jul. 24, 2020**

(51) **LOC (13) Cl.** **28-03**

(52) **U.S. Cl.**
USPC **D24/200**

(58) **Field of Classification Search**
USPC D23/355-365, 386, 201, 208; D24/200, D24/204; D7/35, 538, 629; D13/107, D13/108; D14/432, 434, 447, 251
CPC A61L 9/03; H05B 3/00; H05B 3/0052; H05B 3/26; H05B 2203/021; A47J 36/2433; A47J 27/004
See application file for complete search history.

(56) **References Cited**

U.S. PATENT DOCUMENTS

| | | | | |
|--------------|--------|------|-------|---------|
| D838,859 S * | 1/2019 | Yu | | D24/200 |
| D857,215 S * | 8/2019 | Lin | | D24/200 |
| D876,655 S * | 2/2020 | Lin | | D24/200 |
| D878,616 S * | 3/2020 | Lin | | D24/200 |
| D880,671 S * | 4/2020 | Wang | | D23/366 |
| D887,568 S * | 6/2020 | Lin | | D24/200 |
| D909,592 S * | 2/2021 | Li | | D24/200 |
| D914,224 S * | 3/2021 | Wang | | D24/200 |
| D916,267 S * | 4/2021 | Chen | | D23/366 |
| D917,710 S * | 4/2021 | Li | | D24/200 |

OTHER PUBLICATIONS

Paraffin Wax Machine, posted on amazon.com, earliest review posted Oct. 12, 2019, no production date posted, [online], [site visited Sep. 9, 2021], available on internet, URL: https://www.amazon.com/Waxkiss-Paraffin-Treatment-Machine-Refills/dp/B07R14WQ42/ref=cm_cr_arp_d_pl_foot_top?ie=UTF8&th (Year: 2019).*

* cited by examiner

Primary Examiner — Michael C Stout

Assistant Examiner — Fritzgerald L Butac

(57) **CLAIM**

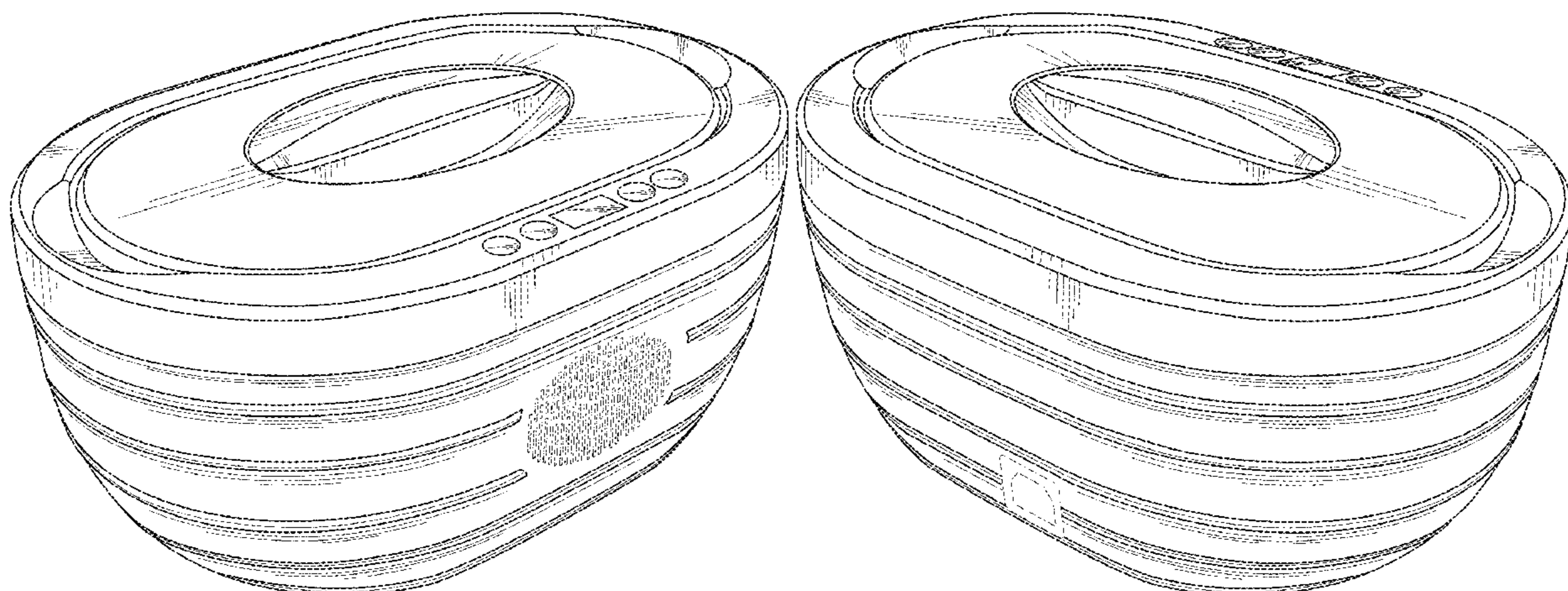
The ornamental design for a paraffin wax warmer, as shown and described.

DESCRIPTION

FIG. 1 is a top, front and left side perspective view of a paraffin wax warmer showing my new design; FIG. 2 is a top, rear and left side perspective view thereof; FIG. 3 is a bottom, front and left side perspective view thereof; FIG. 4 is a top and right side perspective view thereof; FIG. 5 is a top and left side perspective view thereof; FIG. 6 is a top plan view thereof; FIG. 7 is a bottom plan view thereof; FIG. 8 is a front elevational view thereof; FIG. 9 is a rear elevational view thereof; FIG. 10 is a left side view thereof; and, FIG. 11 is a right side view thereof.

The broken lines in the drawings illustrate portions of the paraffin wax warmer which form no part of the claimed design.

1 Claim, 11 Drawing Sheets



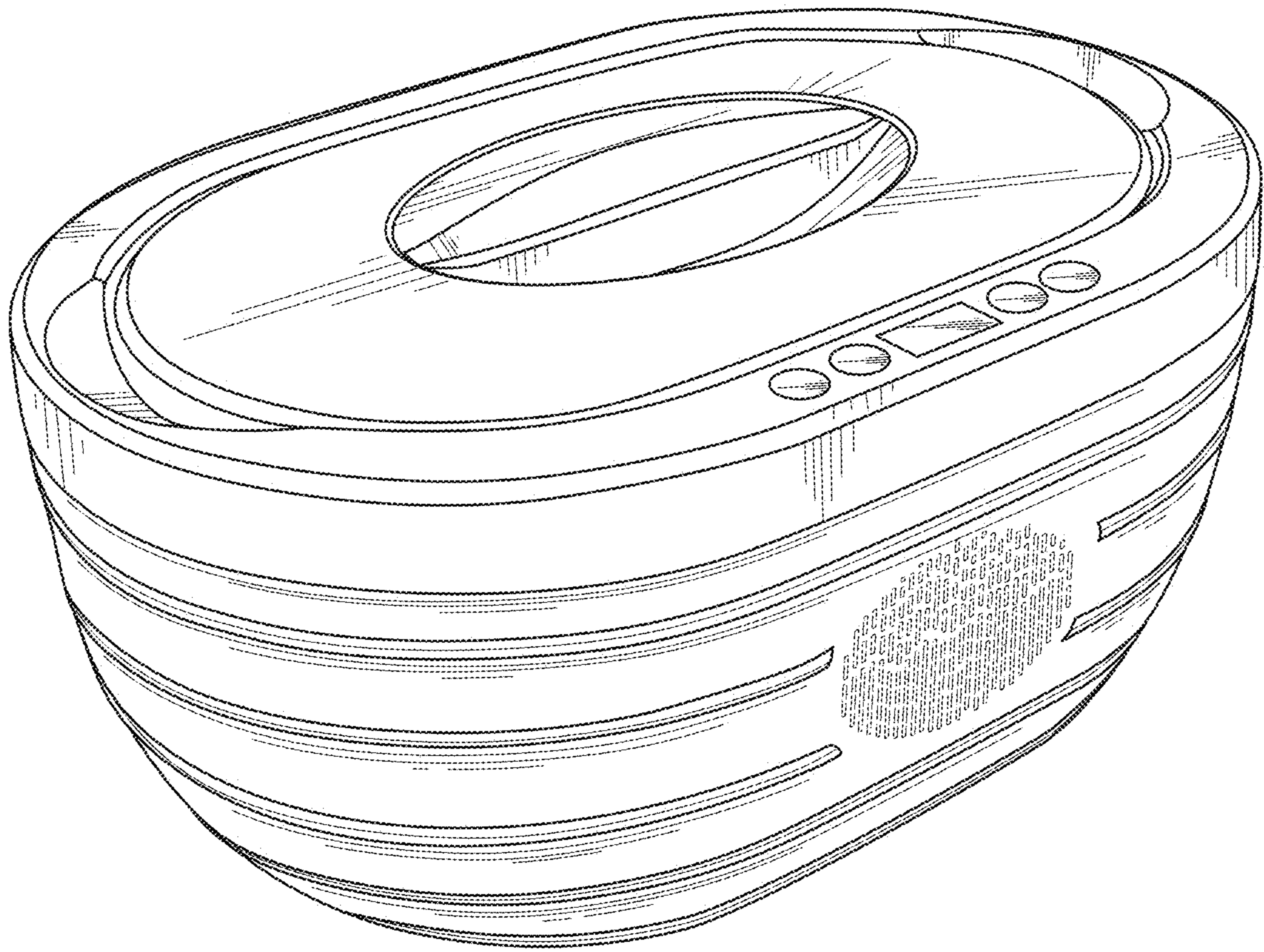


FIG. 1

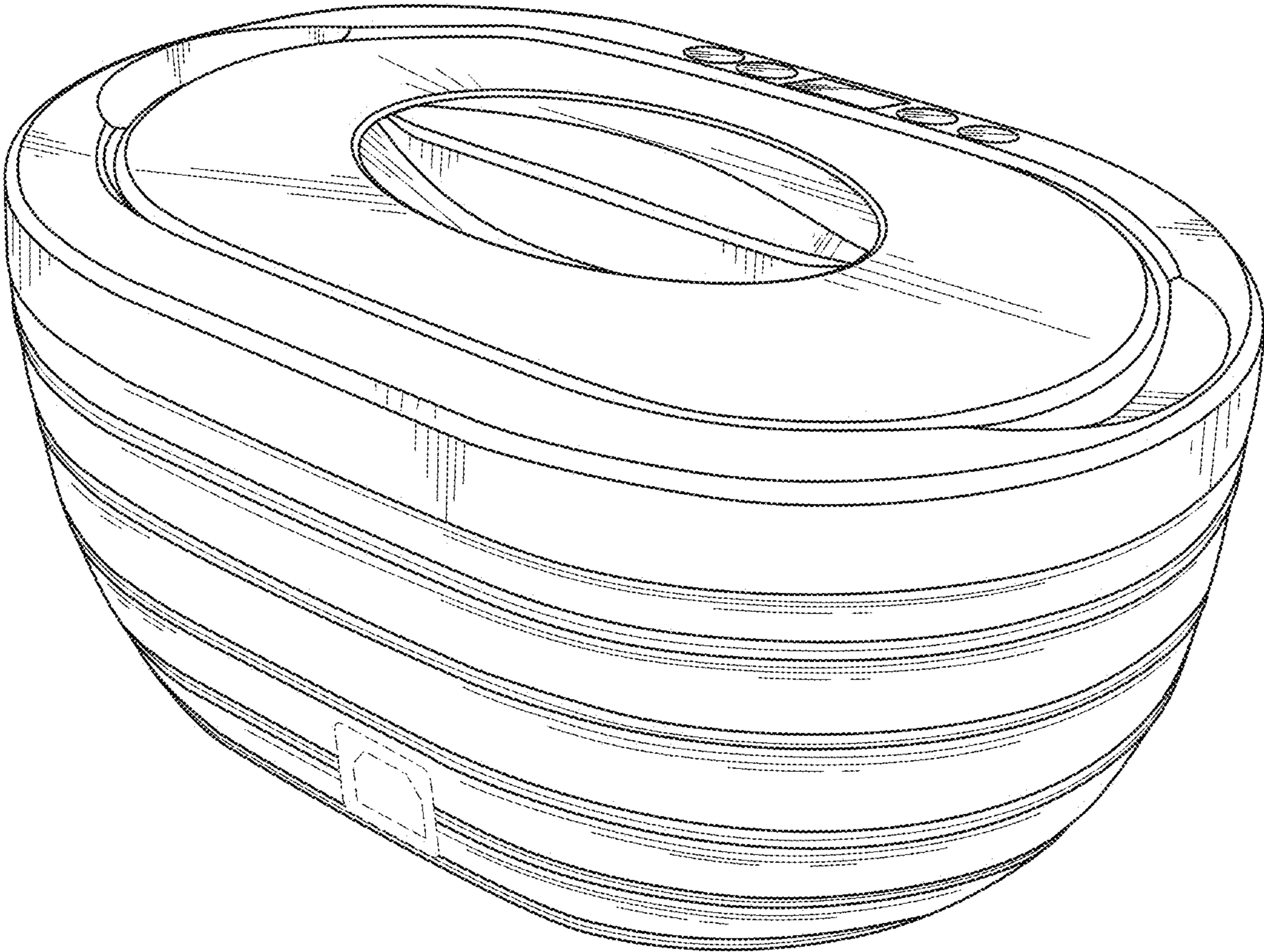


FIG. 2

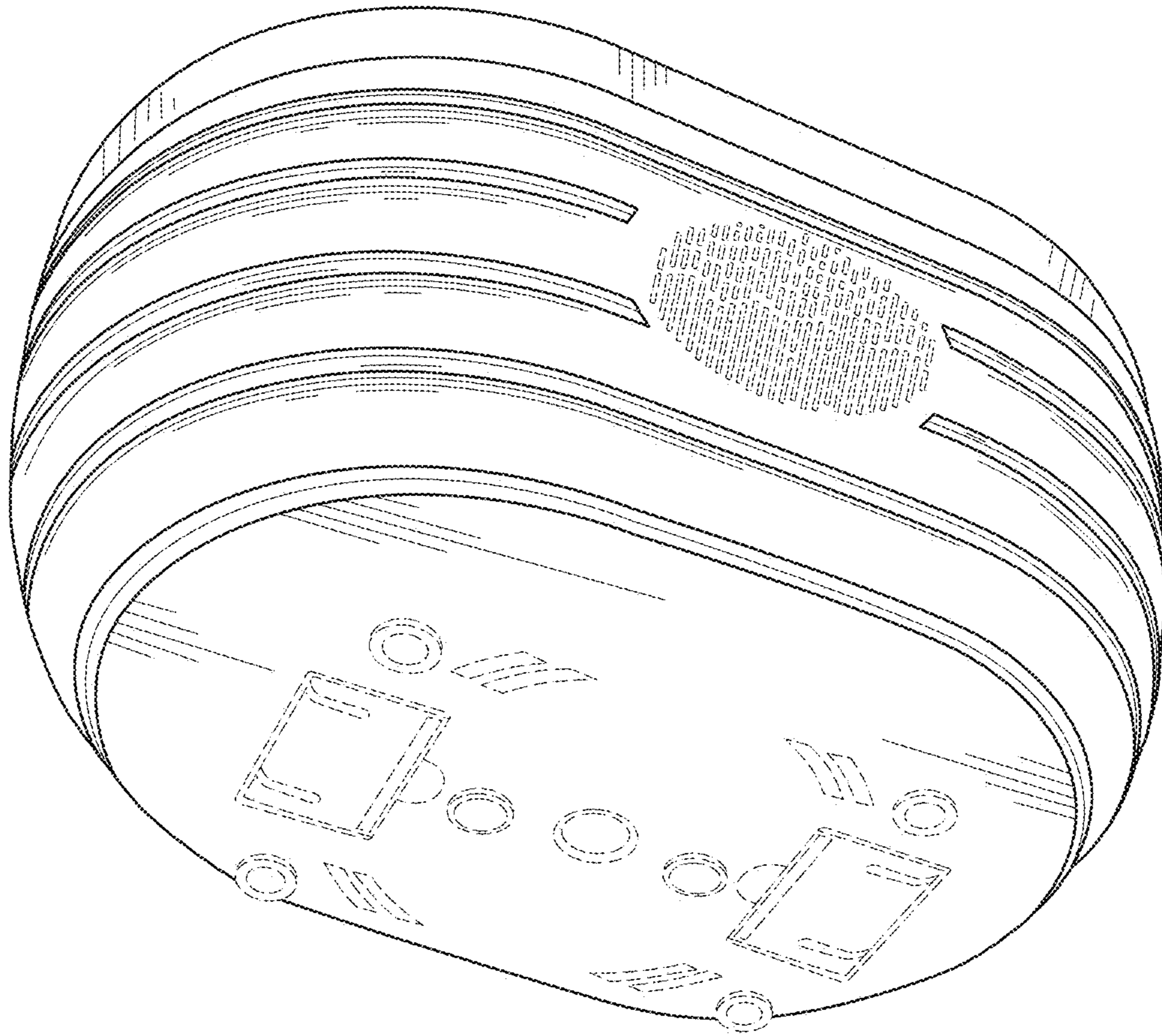


FIG. 3

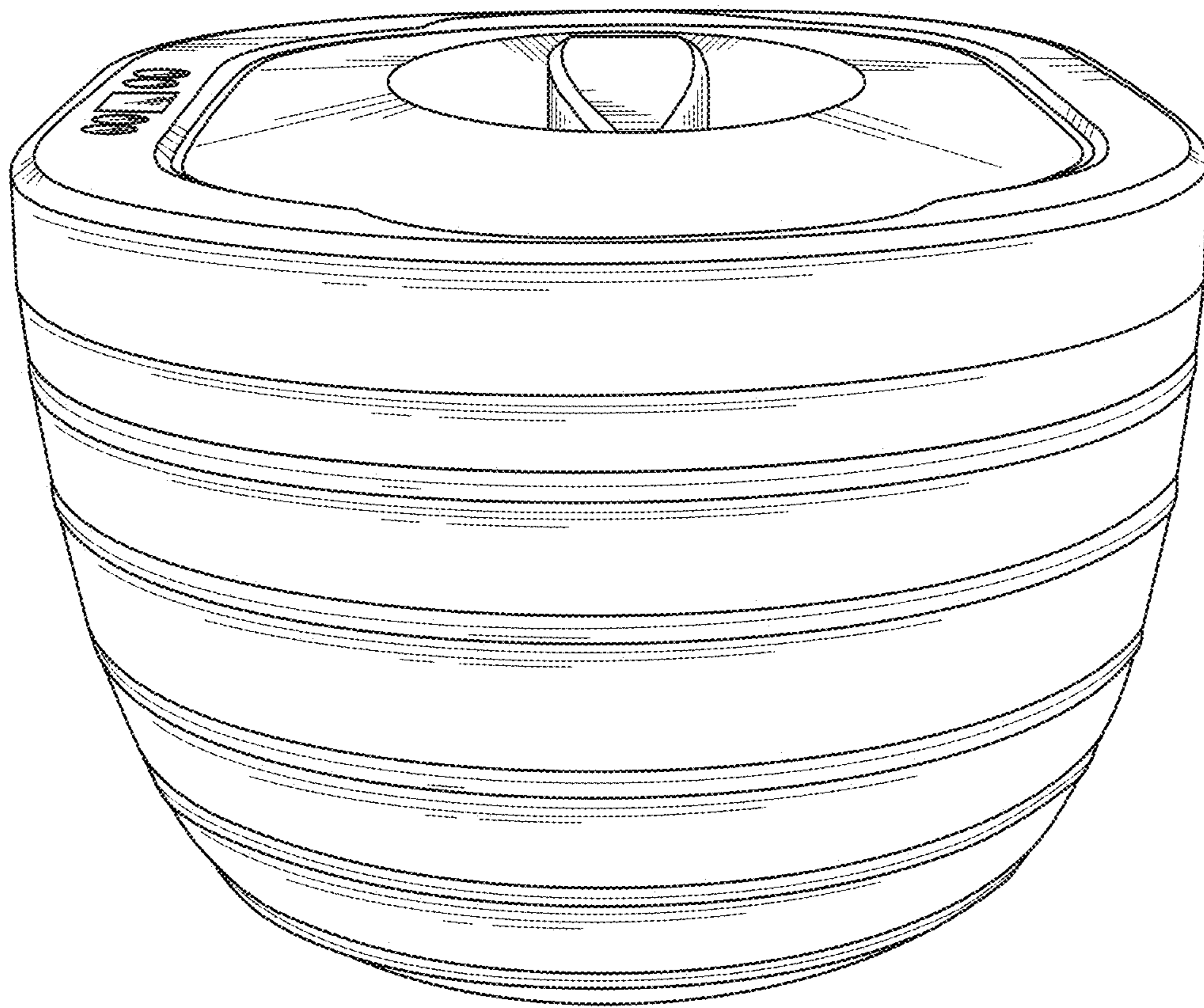


FIG. 4

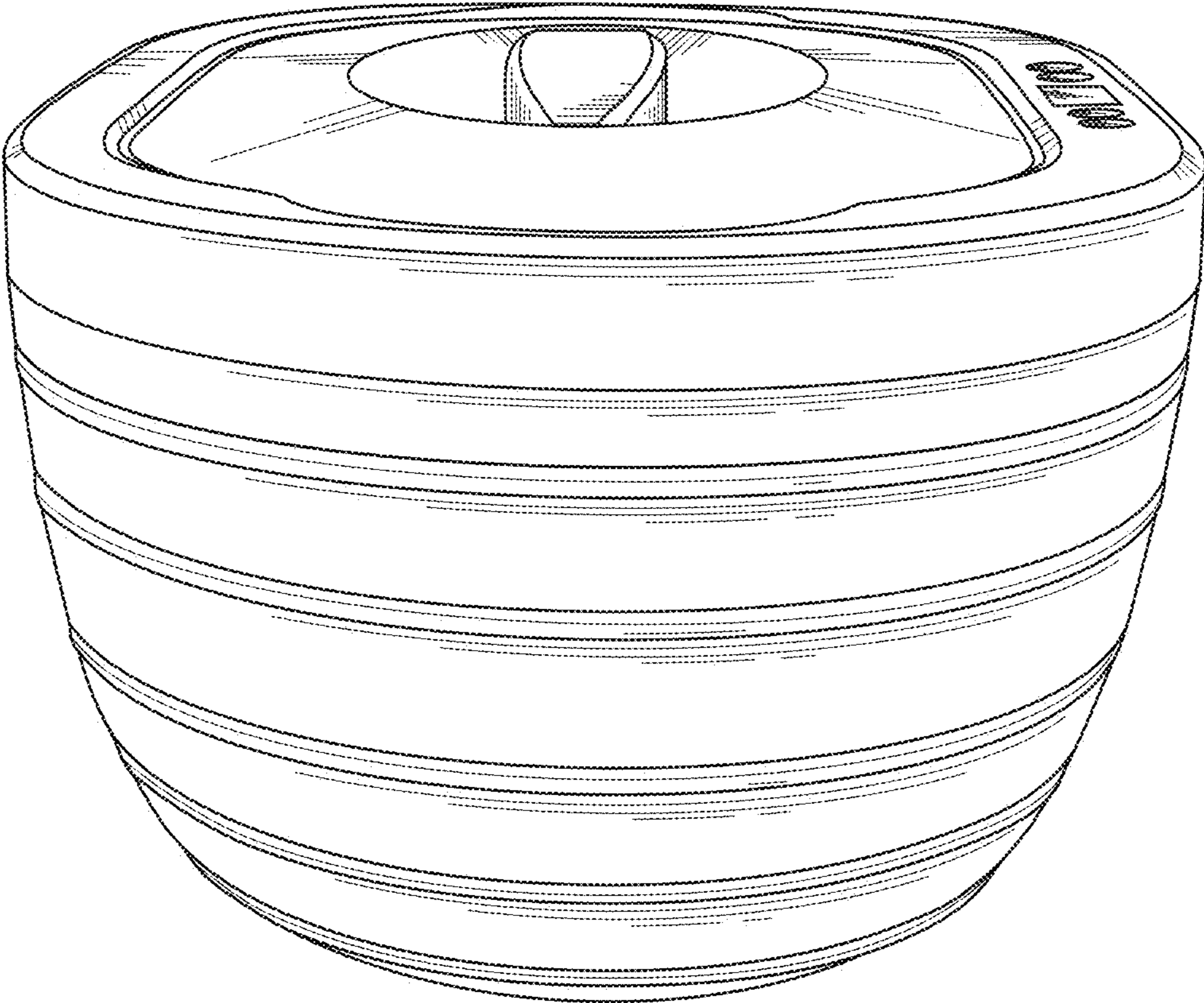


FIG. 5

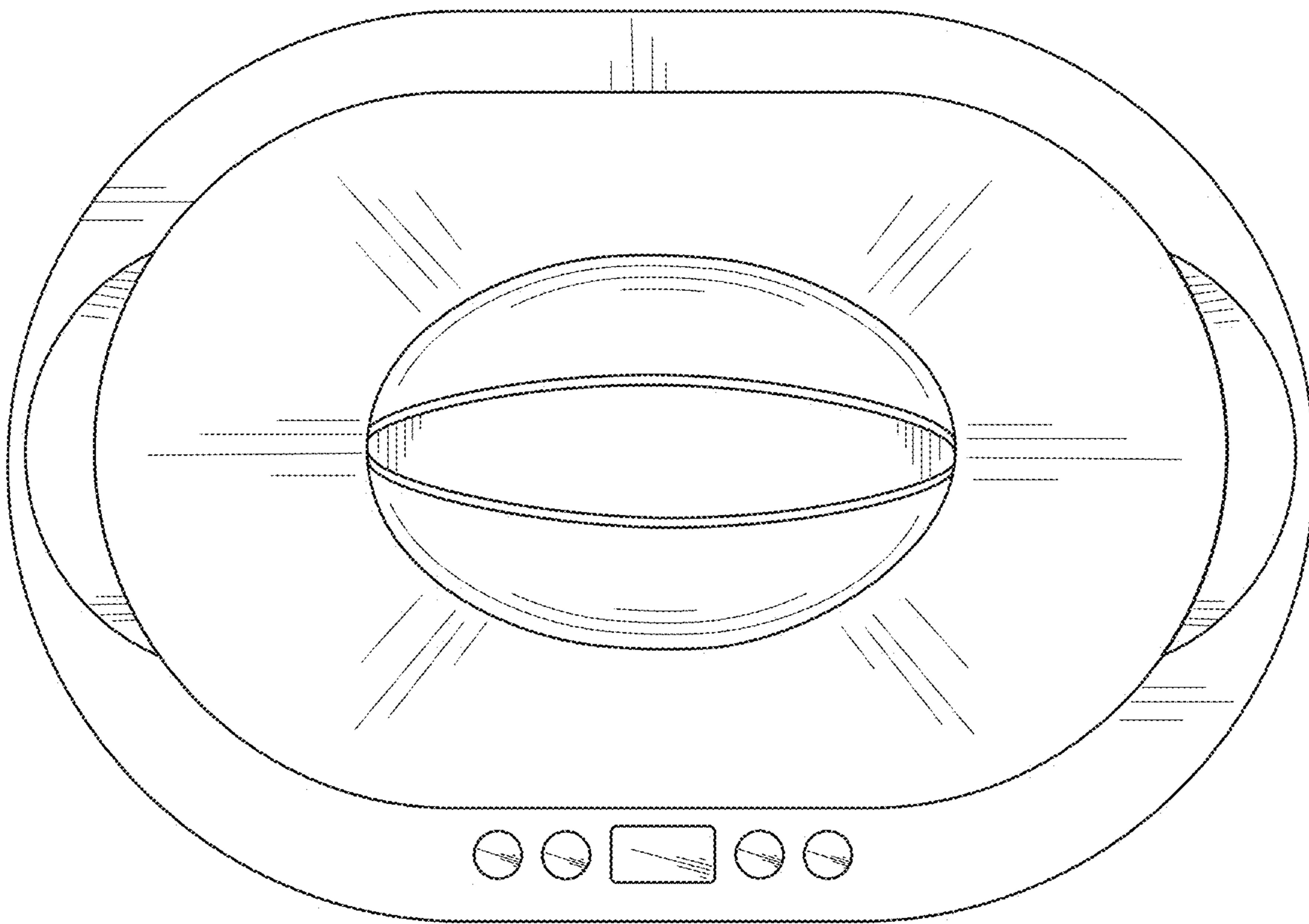


FIG. 6

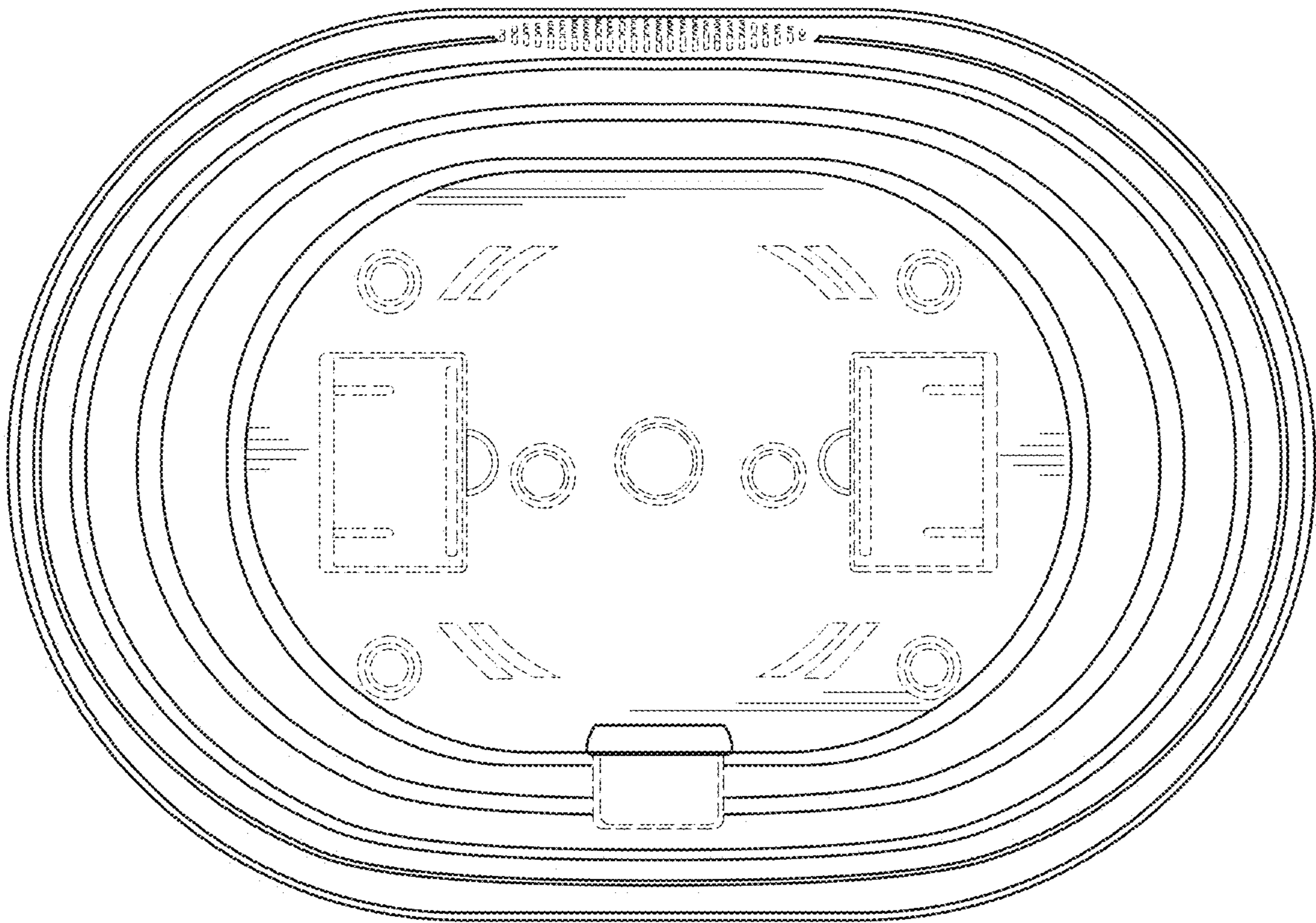


FIG. 7

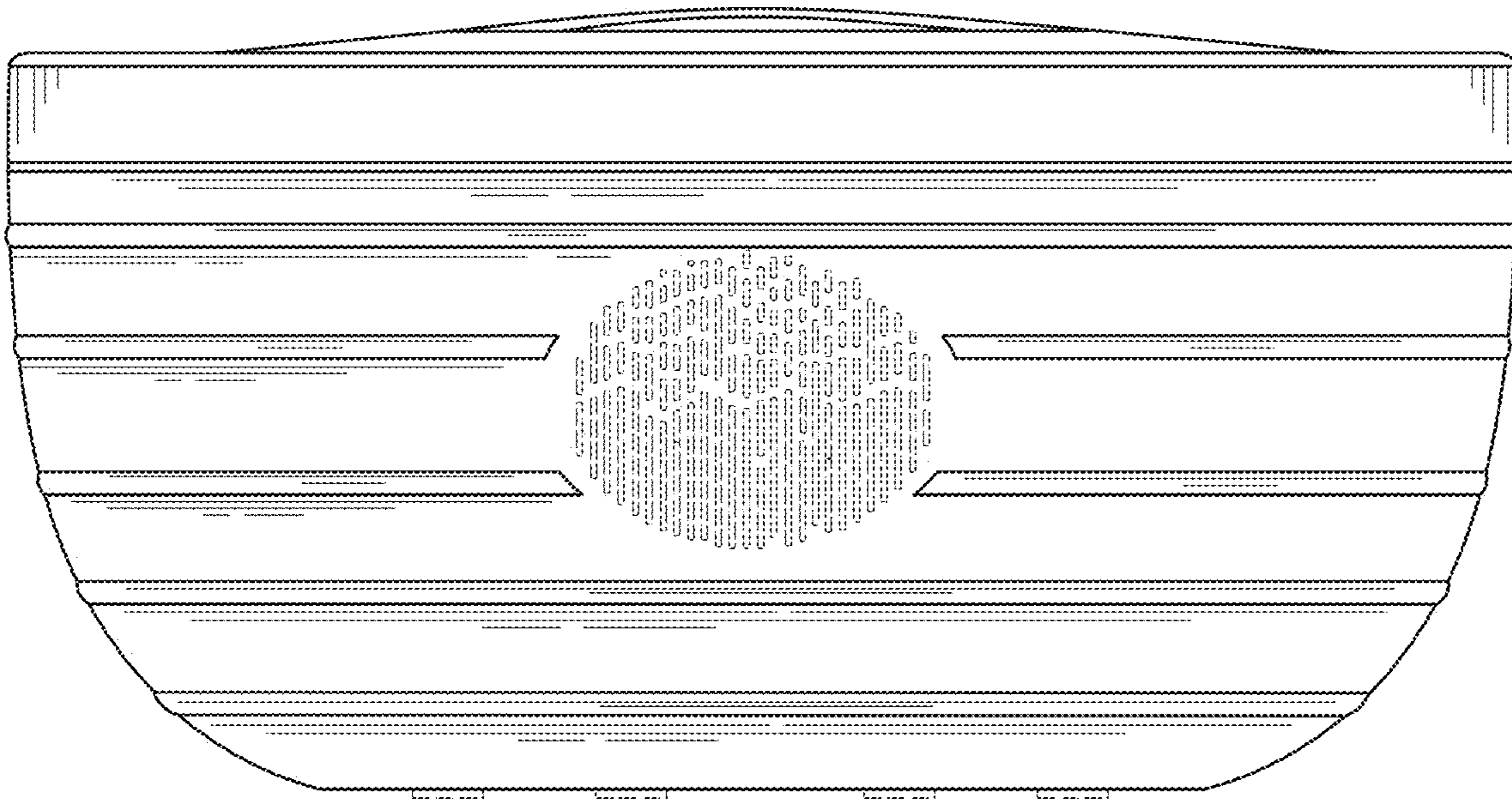


FIG. 8

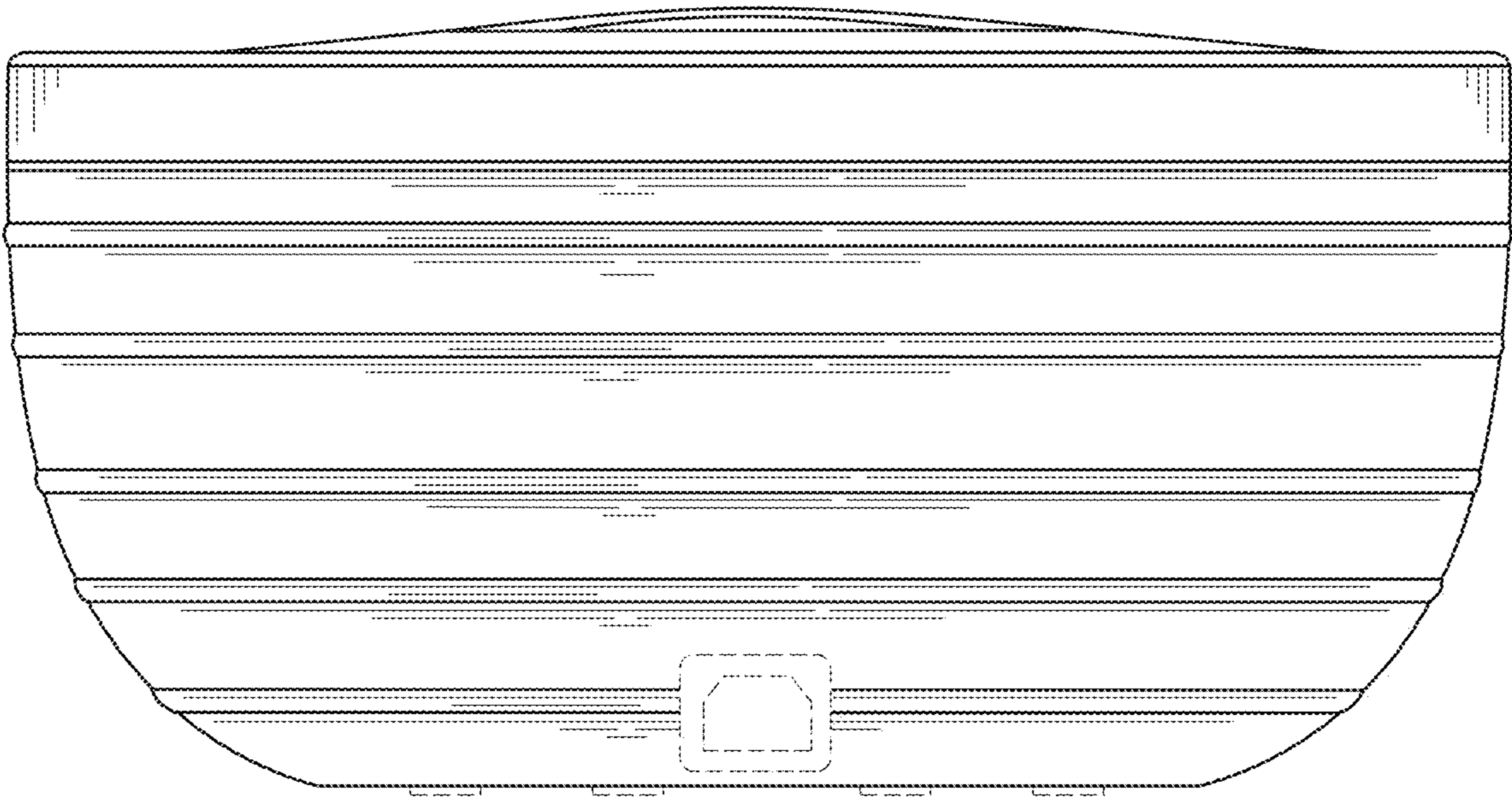


FIG. 9

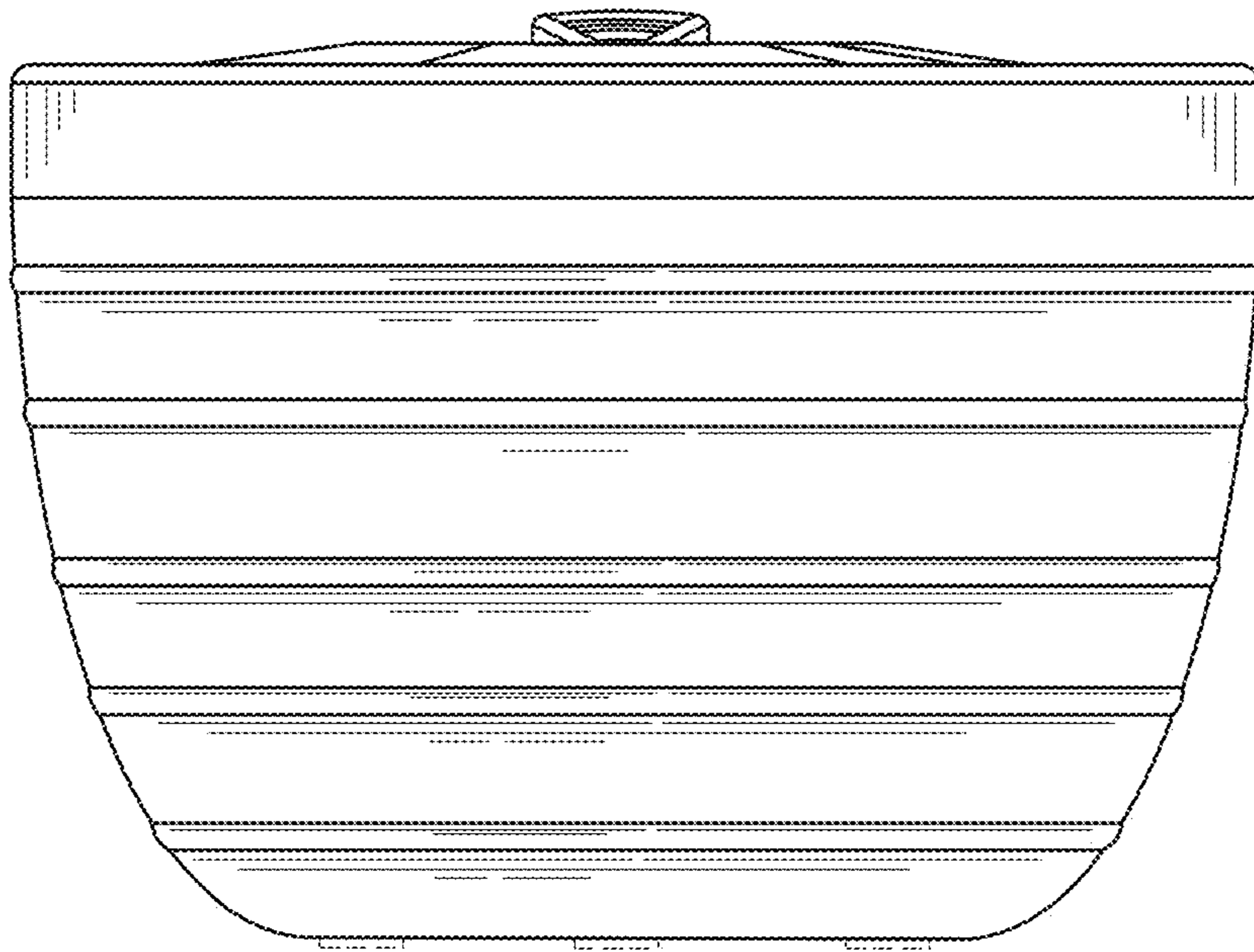


FIG. 10

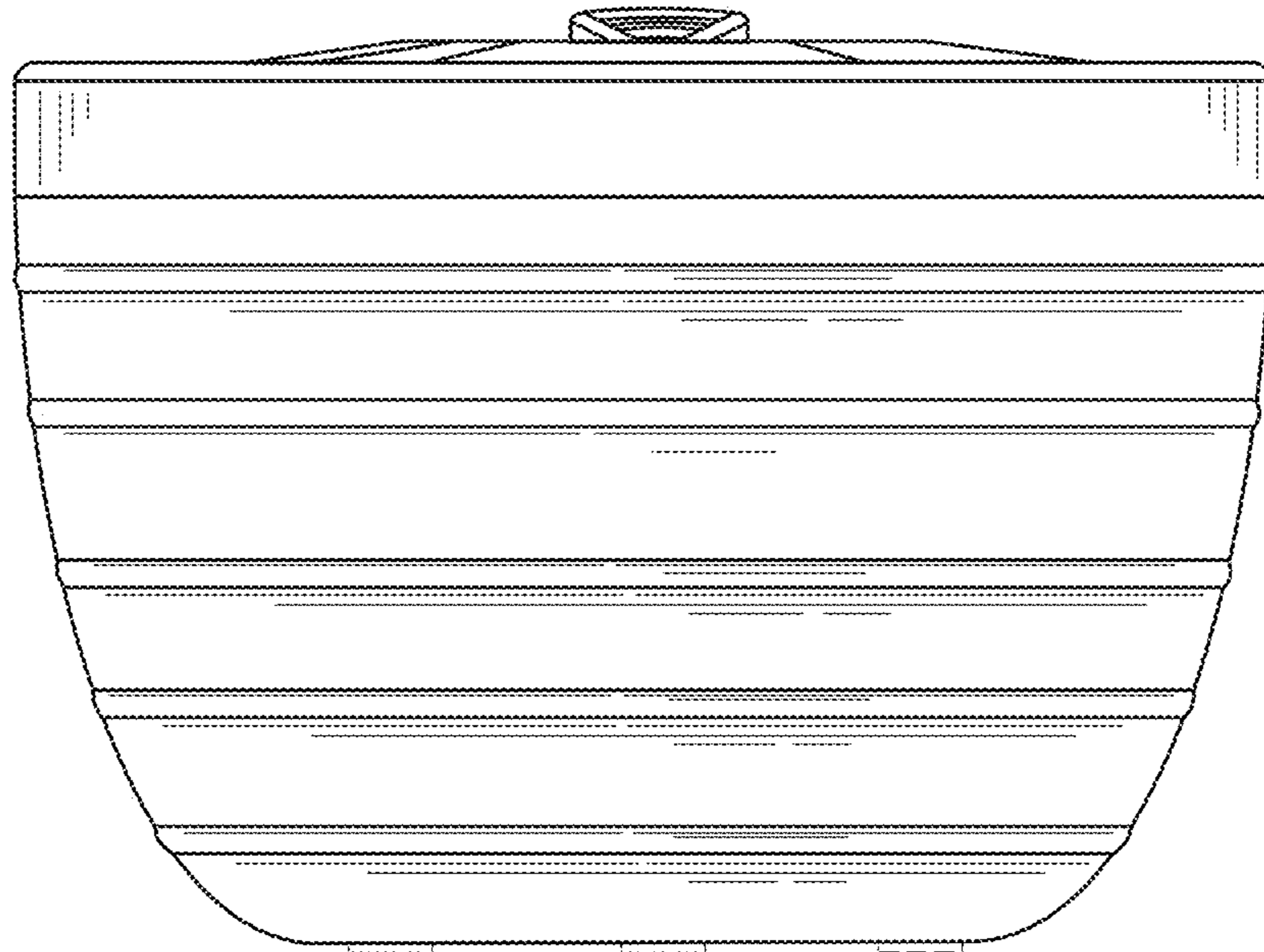


FIG. 11