



US00D939718S

(12) **United States Design Patent**
Zhang

(10) **Patent No.:** **US D939,718 S**
(45) **Date of Patent:** **** Dec. 28, 2021**

- (54) **FEEDING BOTTLE**
- (71) Applicant: **THINK GREEN LIMITED**, Auckland (NZ)
- (72) Inventor: **Shu Ting Zhang**, Hubei (CN)
- (73) Assignee: **THINK GREEN LIMITED**, Auckland (NZ)
- (**) Term: **15 Years**
- (21) Appl. No.: **29/772,739**
- (22) Filed: **Mar. 3, 2021**
- (30) **Foreign Application Priority Data**

Jan. 22, 2021 (CN) 202130048231.0

- (51) **LOC (13) Cl.** **07-01**
- (52) **U.S. Cl.**
USPC **D24/198**
- (58) **Field of Classification Search**
USPC D24/194, 195, 196, 197, 198, 199;
D9/523, 531, 537, 548, 719; D7/392.1,
D7/511, 534, 619.1, 622
CPC A61J 9/00; A61J 9/0607; A61J 9/0623;
A61J 11/00; A61J 11/002
See application file for complete search history.

(56) **References Cited**

U.S. PATENT DOCUMENTS

- D309,948 S * 8/1990 Chambers D24/197
- D364,228 S * 11/1995 Goler D24/199
- D373,423 S 9/1996 Mazade et al.
- D381,752 S * 7/1997 McCoy D24/196
- 5,690,679 A * 11/1997 Prentiss A61J 9/00
215/11.6
- D439,983 S * 4/2001 Dealing D24/194
- D462,774 S * 9/2002 Carll D24/197
- D564,665 S * 3/2008 Kim D24/197

- D609,355 S 2/2010 Strickler et al.
 - D635,683 S * 4/2011 Shaikh D24/196
 - D801,818 S * 11/2017 Vedamuthu D9/531
- (Continued)

FOREIGN PATENT DOCUMENTS

- EP 001194500-0015 10/2009
 - IL 002401521-0001 2/2014
- (Continued)

OTHER PUBLICATIONS

“Haakaa Generation 3 Silicone Pump and Bottle Pack”. Found online Aug. 11, 2021 at milkbarbreastpumps.com.au. Reference dated Sep. 8, 2019. Retrieved from https://tineye.com/search/846a97c004158901489e135b81cfc0e7e2928893?sort=crawl_date&order=asc&page=1.*

(Continued)

Primary Examiner — Kendra Leslie Hamilton
(74) *Attorney, Agent, or Firm* — Dragon Sun Law Firm, PC; Jinggao Li, Esq.

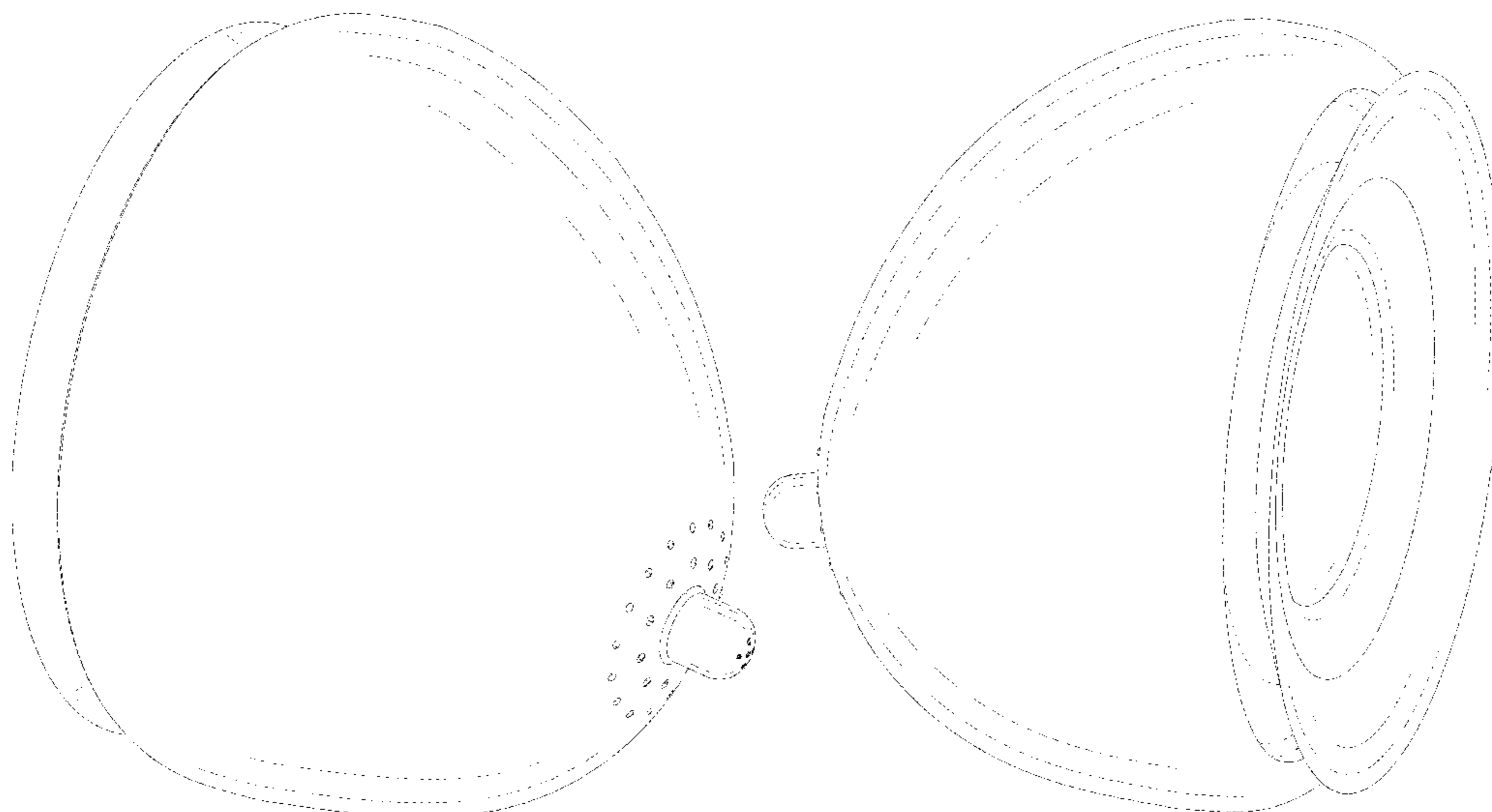
(57) **CLAIM**

The ornamental design for a feeding bottle, as shown and described.

DESCRIPTION

FIG. 1 is a front, right perspective view of a feeding bottle showing my new design;
FIG. 2 is a rear, left perspective view thereof;
FIG. 3 is a front view thereof;
FIG. 4 is a rear view thereof;
FIG. 5 is a left view thereof;
FIG. 6 is a right view thereof;
FIG. 7 is a top view thereof;
FIG. 8 is a bottom view thereof; and,
FIG. 9 is an enlarged view of the selected portion 9 in FIG. 6.
The broken lines shown in the figures depict portions of the feeding bottle that form no part of the claimed design.

1 Claim, 9 Drawing Sheets



(56)

References Cited

U.S. PATENT DOCUMENTS

D869,668 S * 12/2019 Lv D24/197
2008/0314776 A1* 12/2008 Cooke A61J 11/005
206/223
2012/0234788 A1* 9/2012 Livingston A61J 9/00
215/11.6
2021/0085567 A1* 3/2021 Vaughn A61J 9/005

FOREIGN PATENT DOCUMENTS

IL 002465294-0001 5/2014
IT 001645730-0001 12/2009
IT 001645730-0002 12/2009

OTHER PUBLICATIONS

“Nummy Boobs: Silicone Breast Teething Toy”. Found online Dec. 20, 2019 at facebook.com. Reference dated Dec. 28, 2017. Retrieved from <https://www.facebook.com/NummyBeads/posts/1586851174734008>.*

“MOmma: Non-Spill Sippy Cup with Double Handle”. Found online Feb. 1, 2018 at amazon.com. Reference dated Oct. 5, 2010. Retrieved from <https://www.amazon.com/Non-Spill-Double-Handle-Discontinued-Manufacturer/dp/B0039MJ48A/>.*

“Singapore Motherhood: 11 Best Milk Bottles for All of Your Baby’s Feeding Needs”. Found online Aug. 11, 2021 at singaporemotherhood.com. Reference dated Aug. 6, 2018. Retrieved from <https://singaporemotherhood.com/articles/2018/08/milk-bottle-baby-feeding-formula-breastmilk/>.*

* cited by examiner

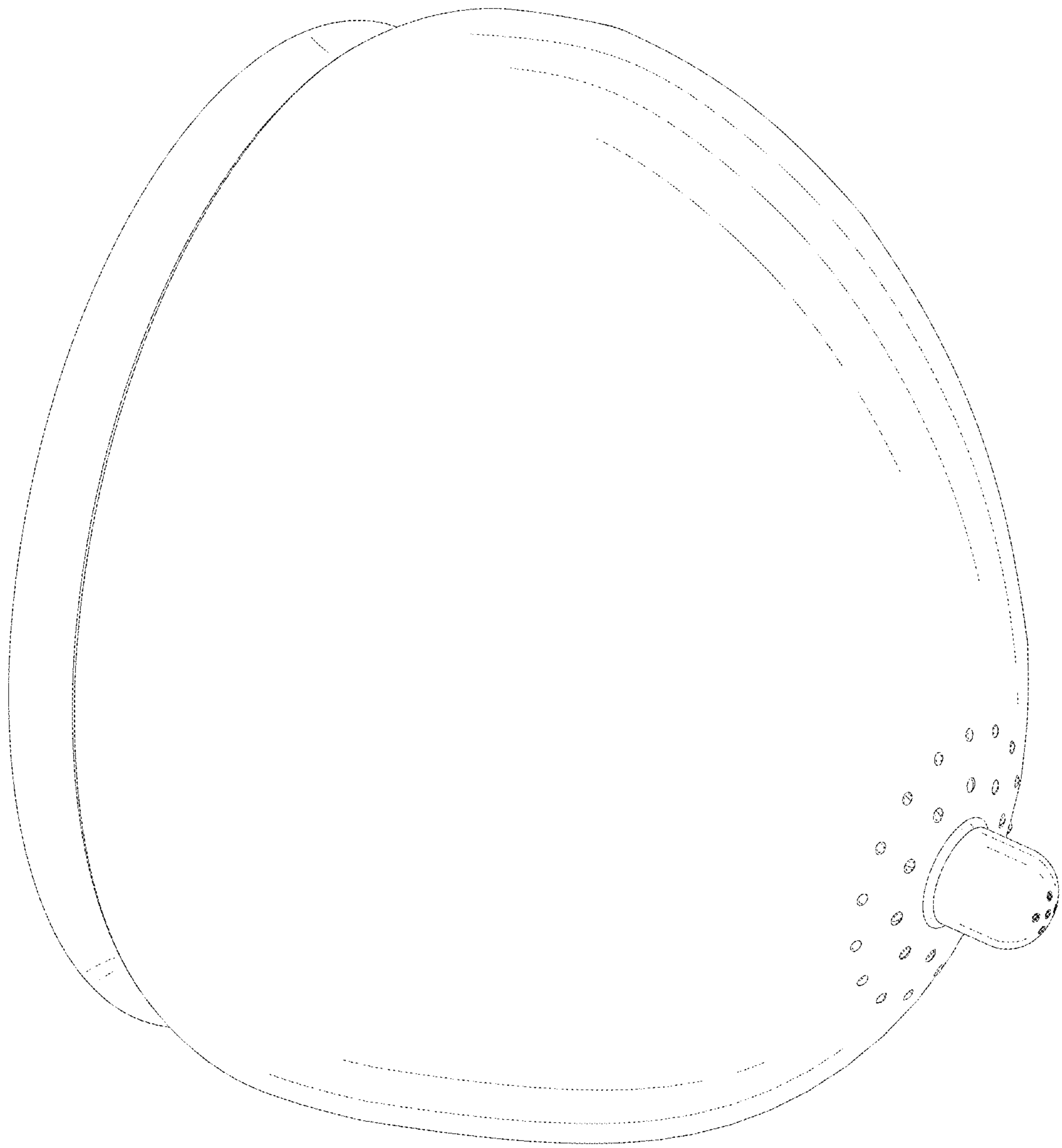


FIG. 1

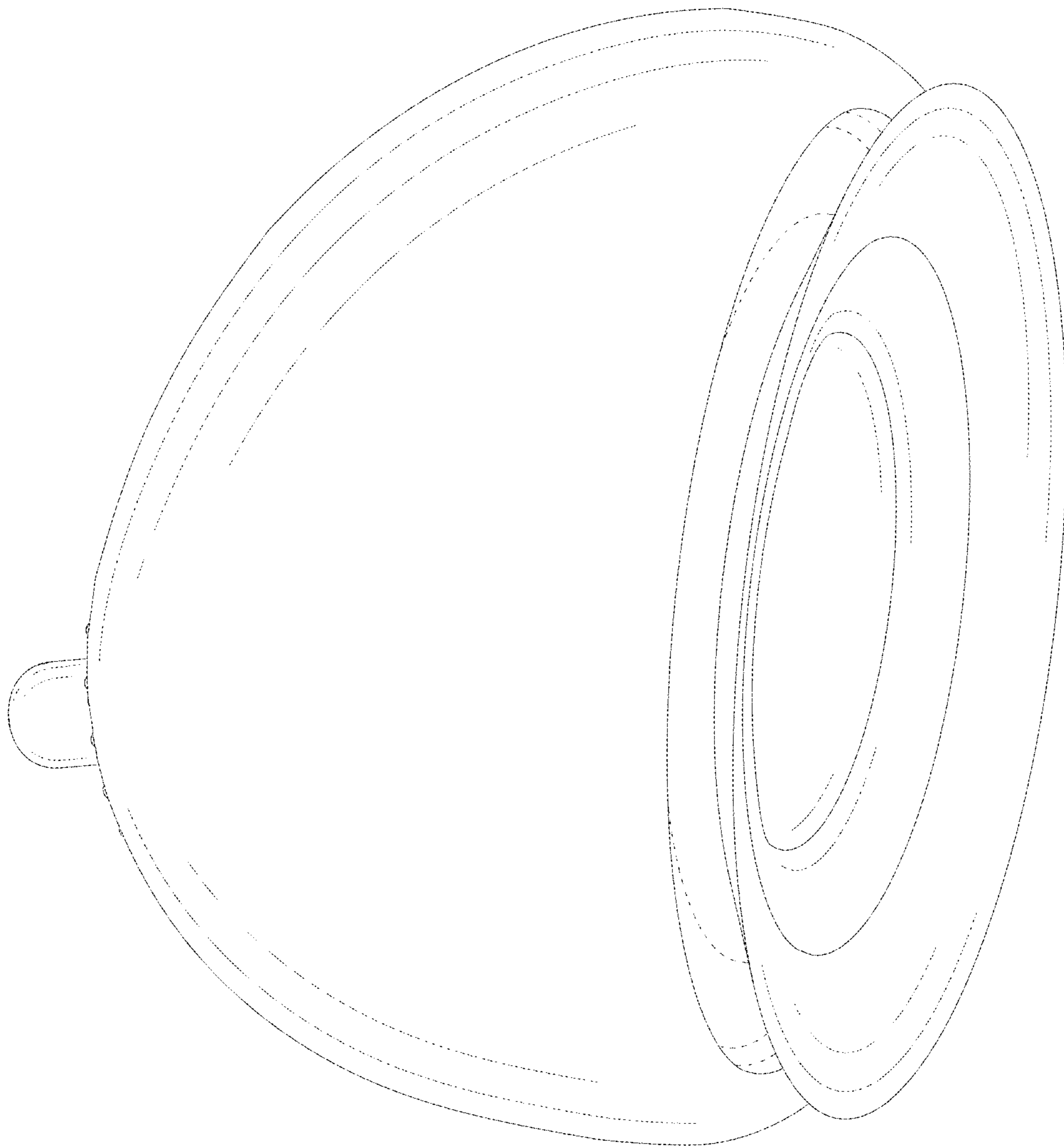


FIG. 2

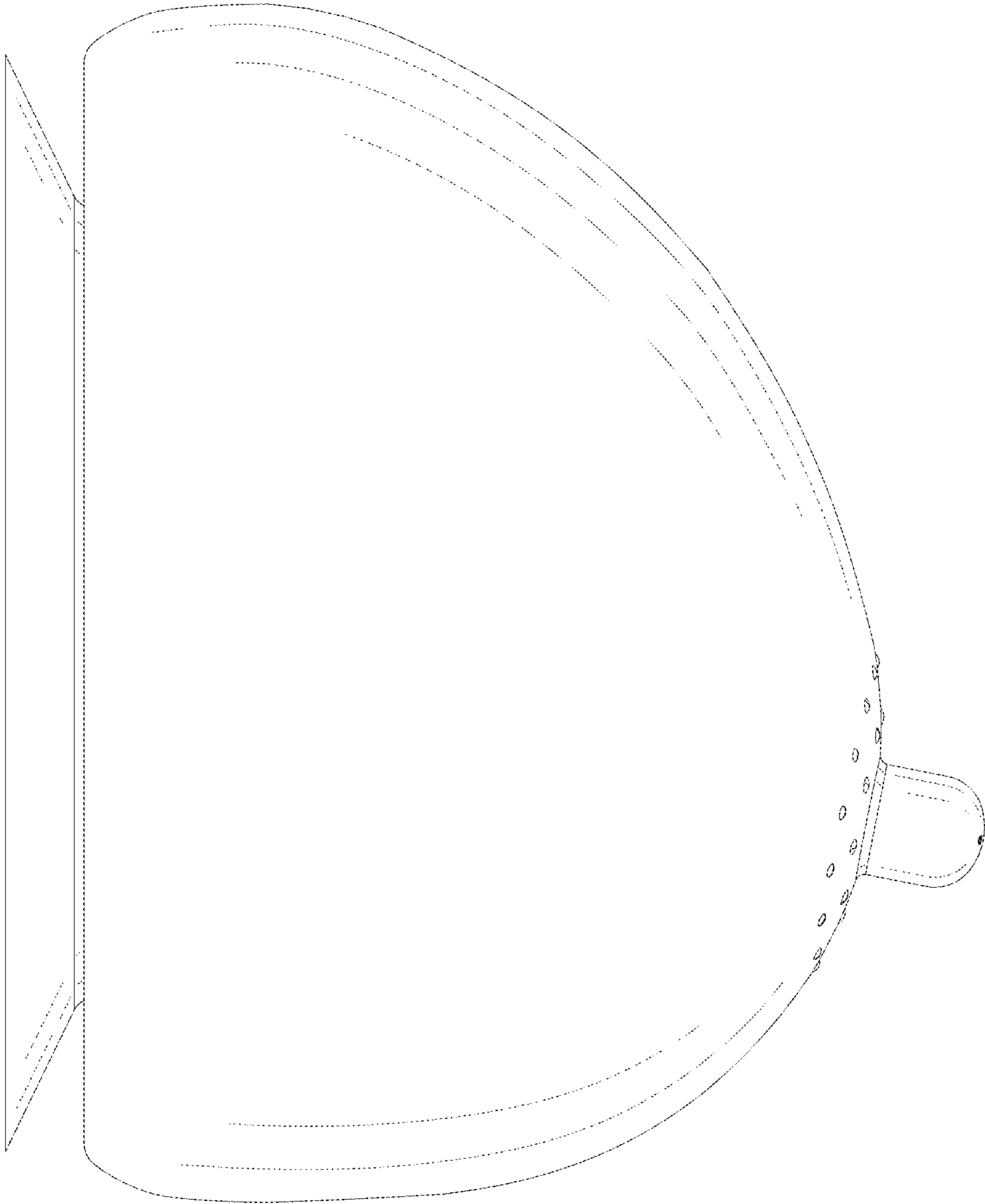


FIG. 3

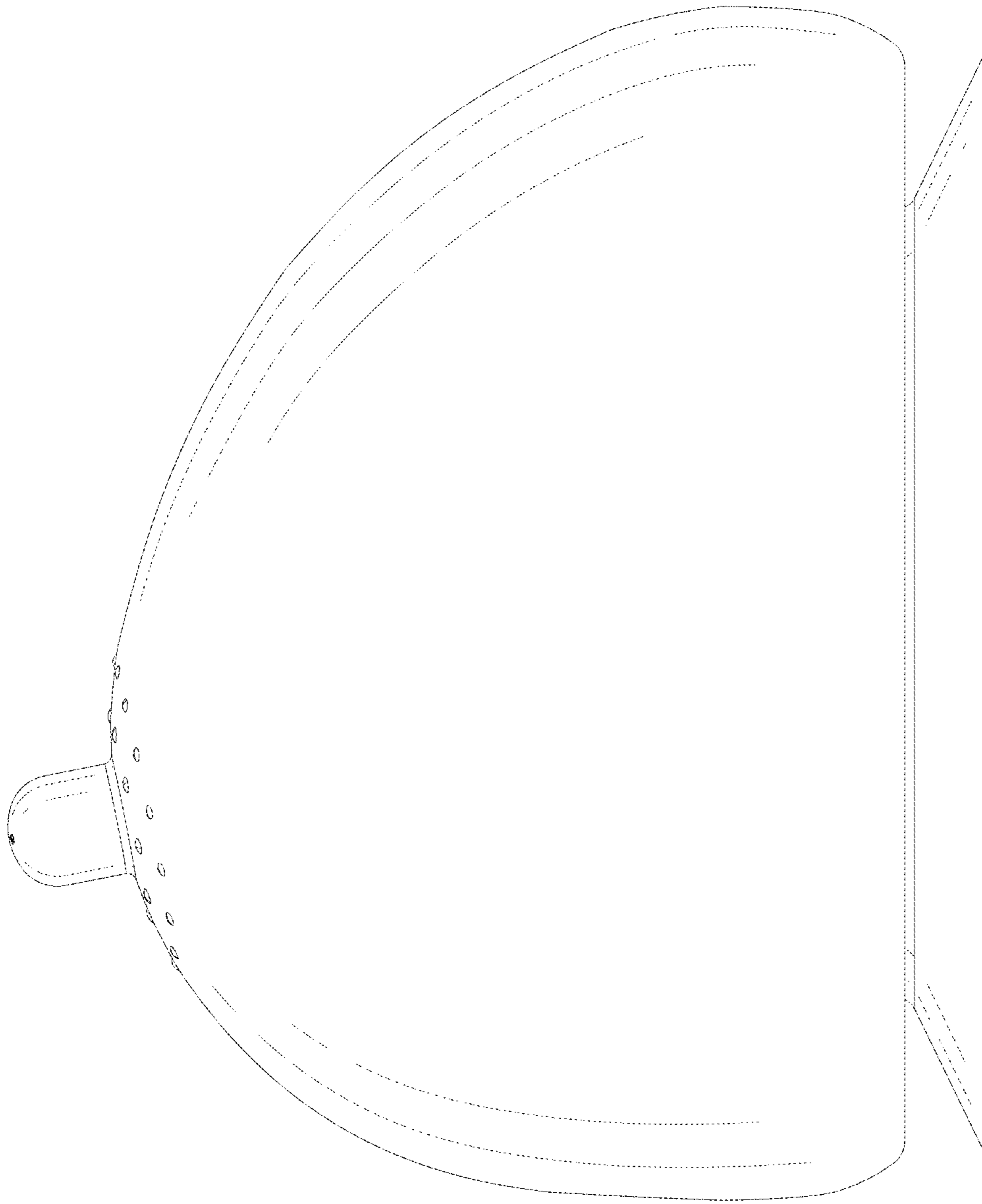


FIG. 4

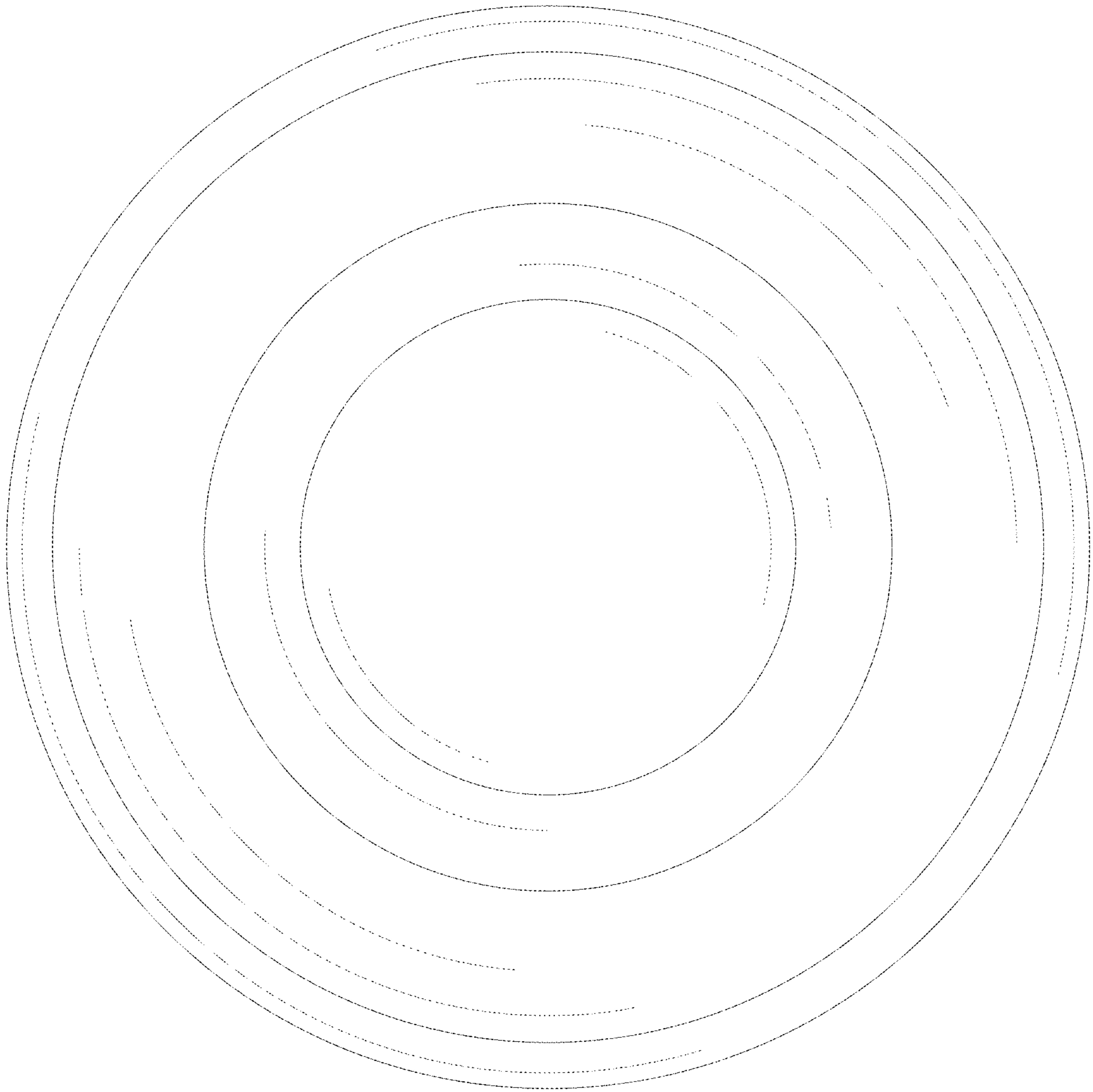


FIG. 5

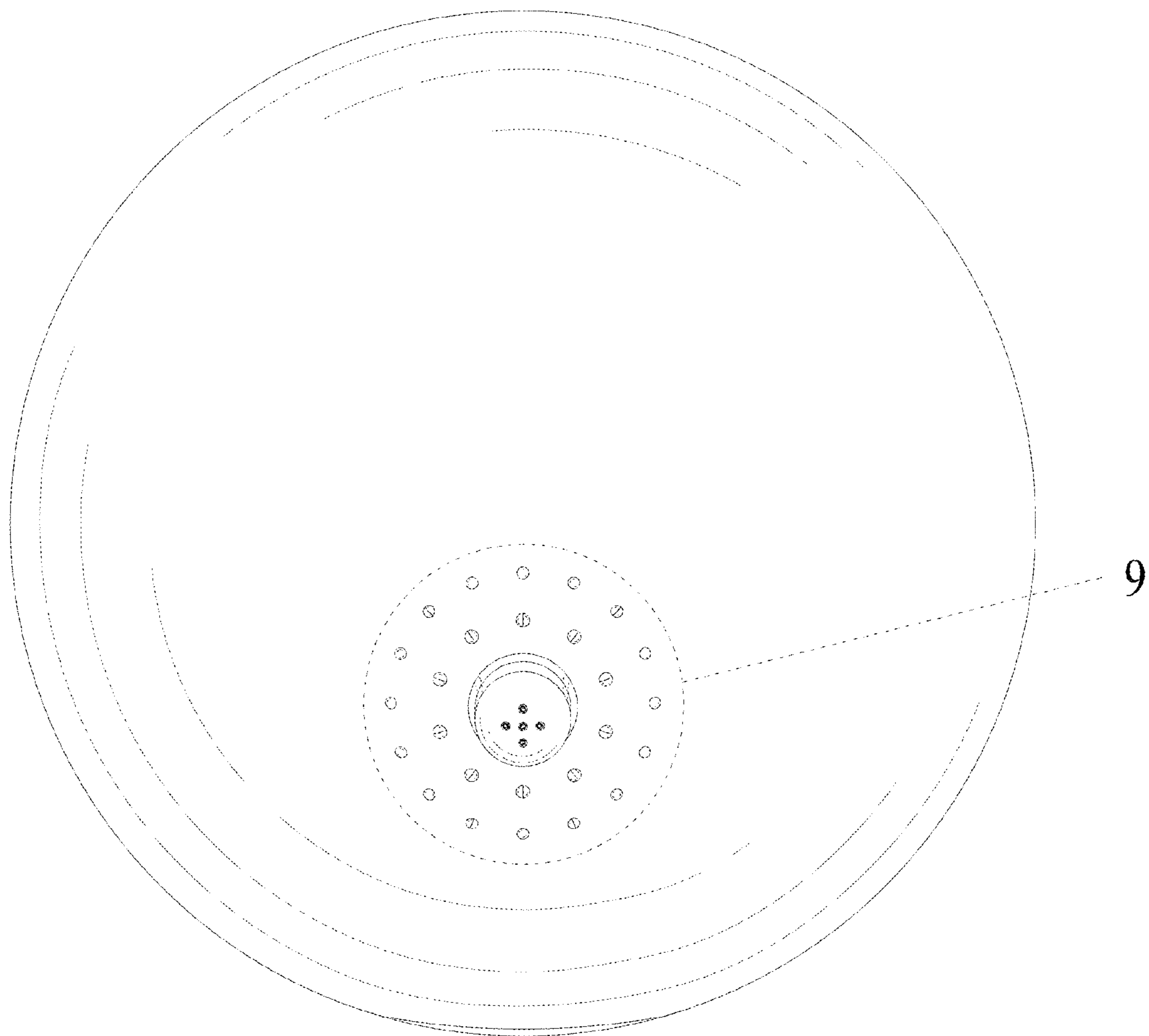


FIG. 6

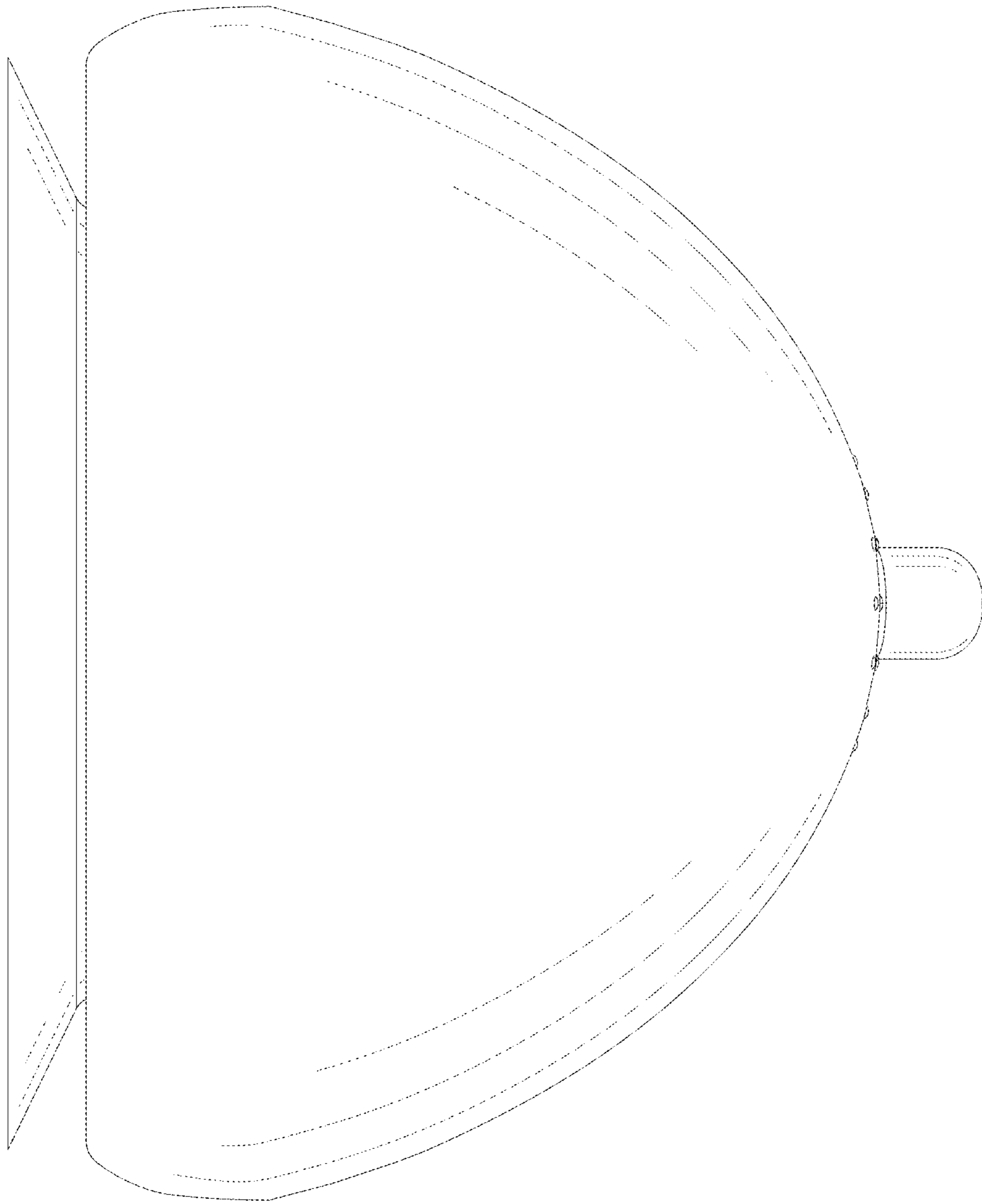


FIG. 7

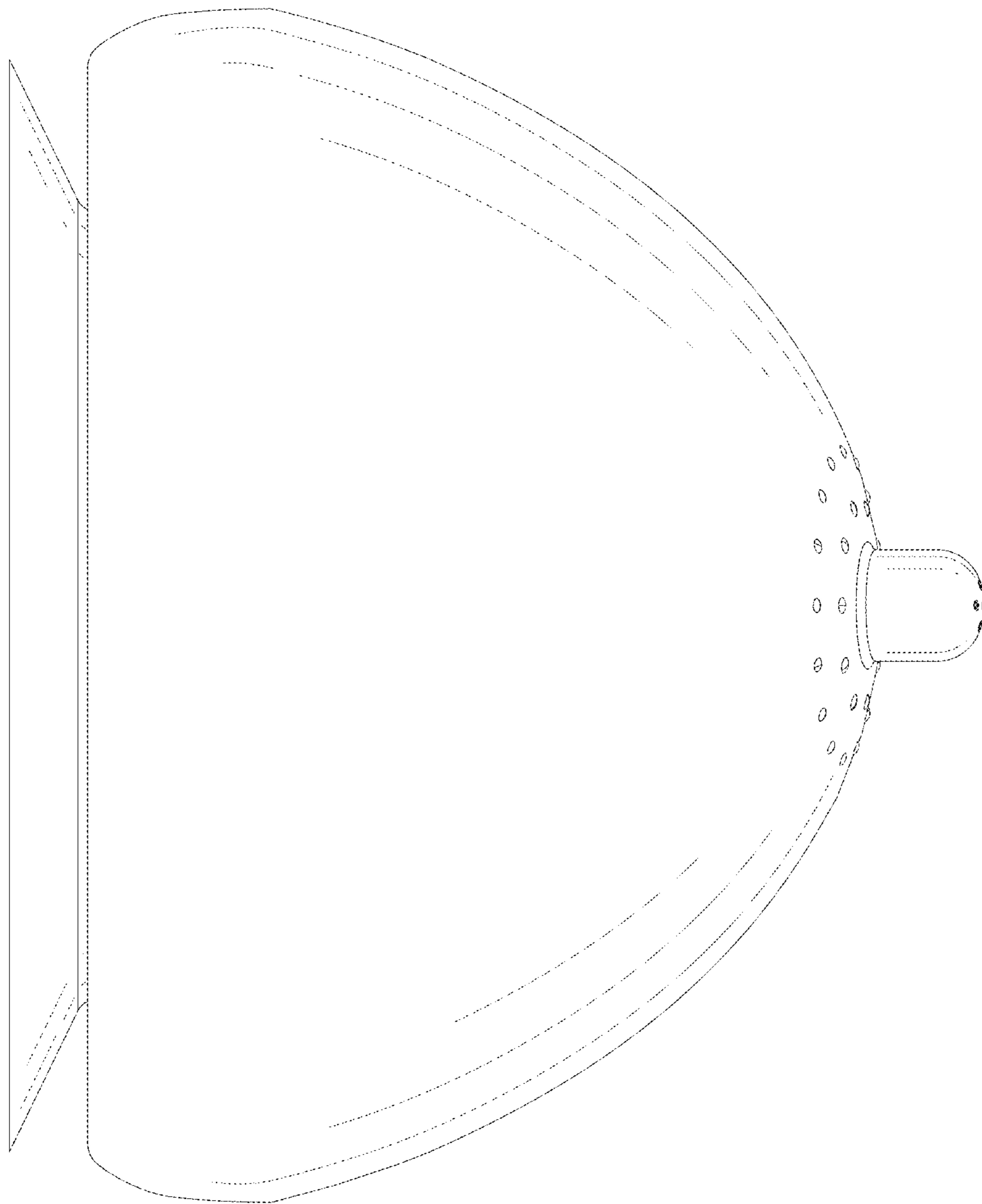


FIG. 8

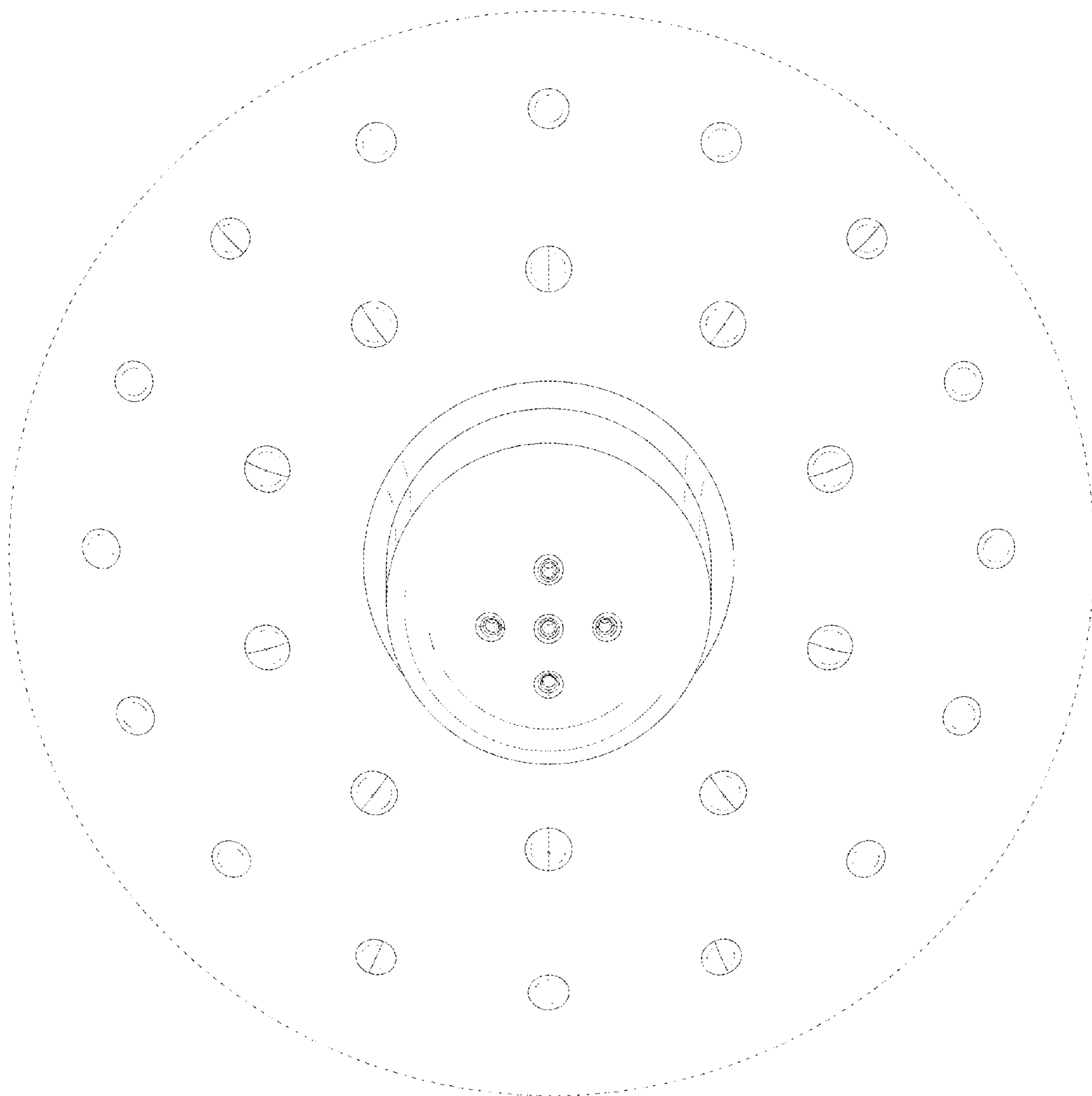


FIG. 9