



US00D939717S

(12) **United States Design Patent** (10) **Patent No.:** **US D939,717 S**
Roehrig (45) **Date of Patent:** **** Dec. 28, 2021**

(54) **TEAT**
(71) Applicant: **BAMED AG**, Wollerau (CH)
(72) Inventor: **Peter Roehrig**, Vienna (AT)
(73) Assignee: **BAMED AG**, Wollerau (CH)
(**) Term: **15 Years**

2,388,915 A 11/1945 Heilborn
2,517,457 A 8/1950 Allen
3,825,014 A 7/1974 Wroten
(Continued)

FOREIGN PATENT DOCUMENTS

AT 408185 B 9/2001
DE 466541 C 7/1930
(Continued)

(21) Appl. No.: **29/729,993**
(22) Filed: **Mar. 31, 2020**

OTHER PUBLICATIONS

“MAM Fast Flow Teat, Size 3”. Found online Jun. 25, 2020 at amazon.co.uk. Reference dated Aug. 24, 2006. Retrieved from https://www.amazon.co.uk/MAM-Bottle-teats-Bottles-2-pack/dp/B000H3UP6E/ref=sr_1_1?dchild=1&keywords=mam&qid=1593120169&rnid=1642204031&s=baby&sr=1-1.*

Related U.S. Application Data

(63) Continuation of application No. 16/207,977, filed on Dec. 3, 2018, now abandoned, which is a continuation of application No. 15/637,786, filed on Jun. 29, 2017, now Pat. No. 10,251,817, which is a continuation of application No. 10/828,118, filed on Apr. 20, 2004, now Pat. No. 9,724,272.

(Continued)

Primary Examiner — Kendra Leslie Hamilton
(74) *Attorney, Agent, or Firm* — Greenblum & Bernstein, P.L.C.

(30) **Foreign Application Priority Data**

Apr. 29, 2003 (AT) GM 298/2003
Oct. 23, 2003 (AT) GM 734/2003

(57) **CLAIM**

I claim the ornamental design for a teat, as shown and described.

(51) **LOC (13) Cl.** **24-04**
(52) **U.S. Cl.**

USPC **D24/196**

DESCRIPTION

(58) **Field of Classification Search**
USPC D24/115, 193, 194, 195, 196, 197, 198, D24/199, 214; D30/160; D29/113, 118, D29/123; D1/101, 104, 106, 113, 115, D1/125, 199

FIG. 1 is a top, front, left perspective view of a teat, showing my new design;
FIG. 2 is a front cross-sectional elevation view, taken in the direction of line 2-2 of FIG. 1; and,
FIG. 3 is a left side cross-sectional elevation view, taken in the direction of line 3-3 of FIG. 1.

CPC A61J 11/00; A61J 11/02; A61J 11/0035
See application file for complete search history.

The broken lines depict portions of the teat that form no part of the claimed design.

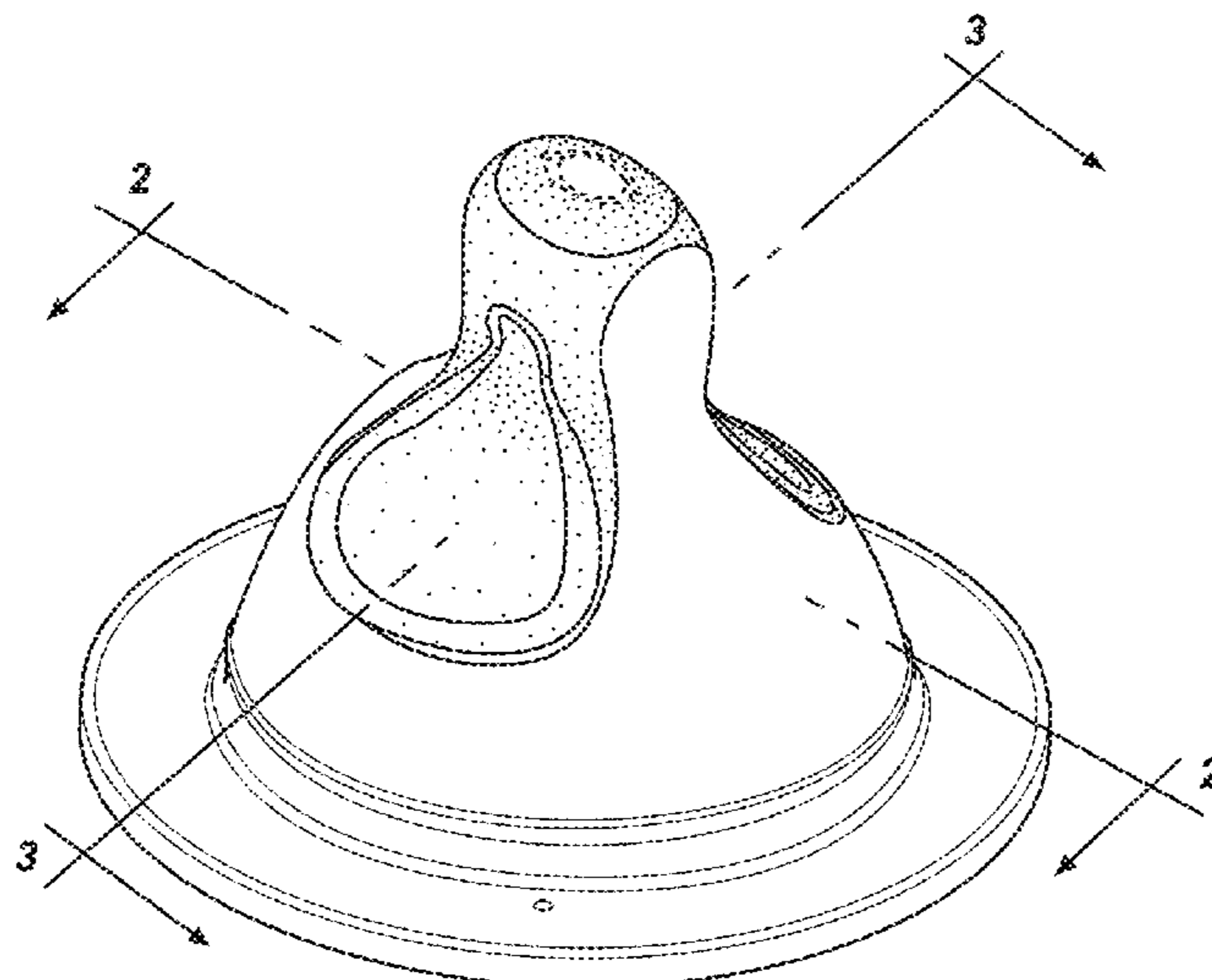
The areas shaded with stippling in FIG. 1 are indicative of a difference in texture in relation to non-stippled areas of the design.

(56) **References Cited**

U.S. PATENT DOCUMENTS

1,902,433 A 7/1931 Brown
2,366,214 A * 1/1945 Ramaker A61J 11/00
215/11.1

1 Claim, 2 Drawing Sheets



(56)

References Cited

U.S. PATENT DOCUMENTS

4,505,398 A 3/1985 Kesserling
 4,613,050 A 9/1986 Atkin et al.
 4,623,069 A 11/1986 White
 5,004,473 A 4/1991 Kalantar
 5,108,686 A 4/1992 Griffin
 5,544,766 A 8/1996 Dunn
 5,881,893 A * 3/1999 Manganiello A61J 11/02
 215/11.1
 5,938,053 A 8/1999 Verbovszky
 6,161,710 A 12/2000 Dieringer et al.
 D444,239 S * 6/2001 Kobayashi D24/196
 6,241,110 B1 6/2001 Hakim
 D457,640 S * 5/2002 Alexandre D24/194
 D463,567 S * 9/2002 Morano D24/196
 D480,147 S * 9/2003 Sanbrook D24/193
 6,699,264 B1 3/2004 Roehrig
 6,968,964 B2 11/2005 Gilmore
 7,122,045 B2 10/2006 Randolph et al.
 D593,203 S * 5/2009 Kliegman D24/194
 D662,599 S * 6/2012 Rhodes, II D24/194
 8,910,810 B2 * 12/2014 Rees A61J 11/006
 215/11.5
 D724,747 S * 3/2015 Lo D24/194
 D734,476 S * 7/2015 Chaitanarit D24/196
 D767,152 S * 9/2016 Hakim D24/194
 9,724,272 B2 8/2017 Roehrig
 10,251,817 B2 4/2019 Roehrig
 2003/0093120 A1 * 5/2003 Renz A61J 11/0035
 606/236
 2003/0093121 A1 5/2003 Randolph
 2003/0100922 A1 * 5/2003 Fitzpatrick A61J 17/109
 606/234
 2003/0176891 A1 * 9/2003 Frederic A61J 17/02
 606/234
 2003/0181947 A1 9/2003 Struckmeier et al.
 2005/0035078 A1 2/2005 Lieberman et al.

2005/0082301 A1 4/2005 Verbovszky
 2005/0277987 A1 12/2005 Randolph
 2009/0005810 A1 * 1/2009 Bonazza A61J 17/113
 606/235
 2012/0016416 A1 * 1/2012 Frazier A61J 17/02
 606/235

FOREIGN PATENT DOCUMENTS

DE 1886610 U 1/1964
 DE 32 41 845 A1 5/1984
 DE 4418604 A1 12/1994
 DE 19716534 A1 11/1997
 DE 201 00 392 U1 3/2001
 DE 202 19 950 U1 3/2003
 EP 1 275 366 A2 1/2003
 GB 639628 A 7/1950
 GB 968698 A 9/1964
 WO WO-01/00136 A1 1/2001

OTHER PUBLICATIONS

“Medela Slow Flow Wide Base Nipple”. Found online May 23, 2018 at amazon.co.uk. Reference dated Aug. 10, 2010. Retrieved from https://www.amazon.co.uk/Medela-Slow-Flow-Wide-Nipple/dp/B002SDD7LQ/ref=sr_1_12_a_it?ie=UTF8&qid=1527112180&sr=8-12&keywords=medela+nipple.*
 “The First Years GumDrop Teething Pacifier Teether”. Found online Jun. 25, 2020 at amazon.com. Reference dated Sep. 16, 2012. Retrieved from https://www.amazon.com/First-Years-GumDrop-Teething-Pacifier/dp/B006I0R68A/ref=cm_cr_arp_d_product_top?ie=UTF8.*
 “Thumb Shape Massage Pacifier”. Found online Jun. 25, 2020 at simbaus.com. Reference dated Sep. 26, 2016. Retrieved from https://tineye.com/search/a7752fda329febaf48ad88cd1170d0bacb4fb0b0?page=1.*

* cited by examiner

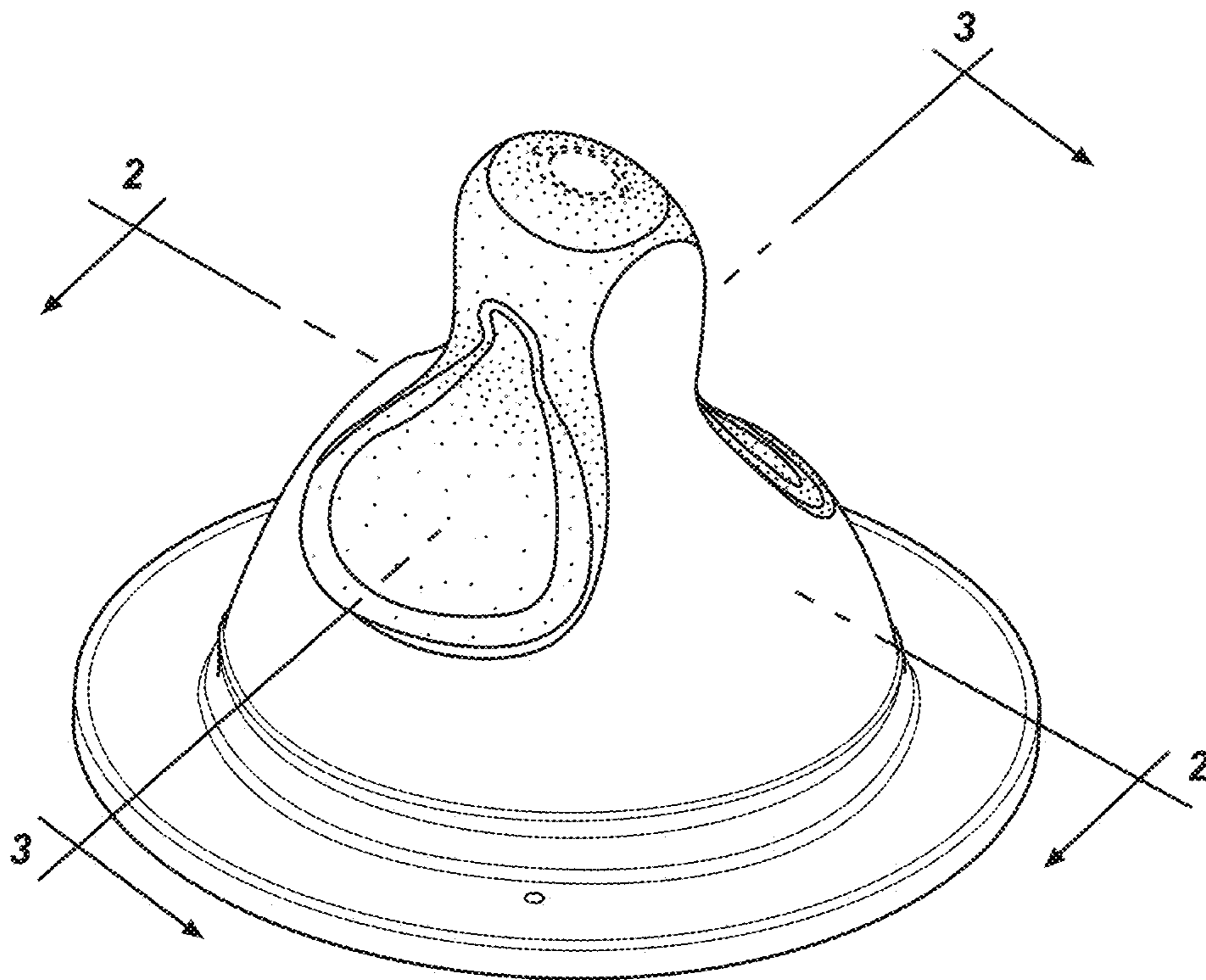


FIG. 1

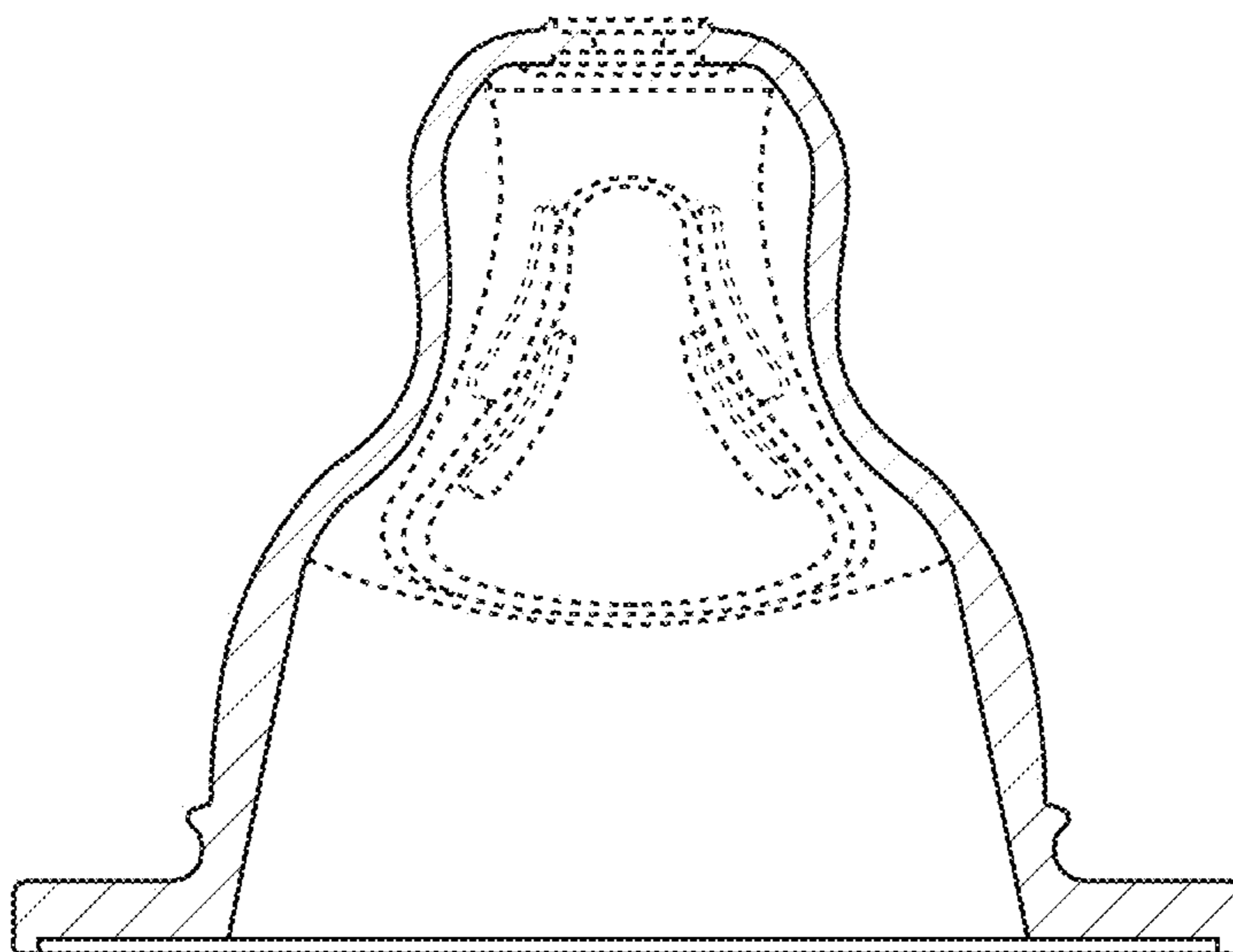


FIG. 2

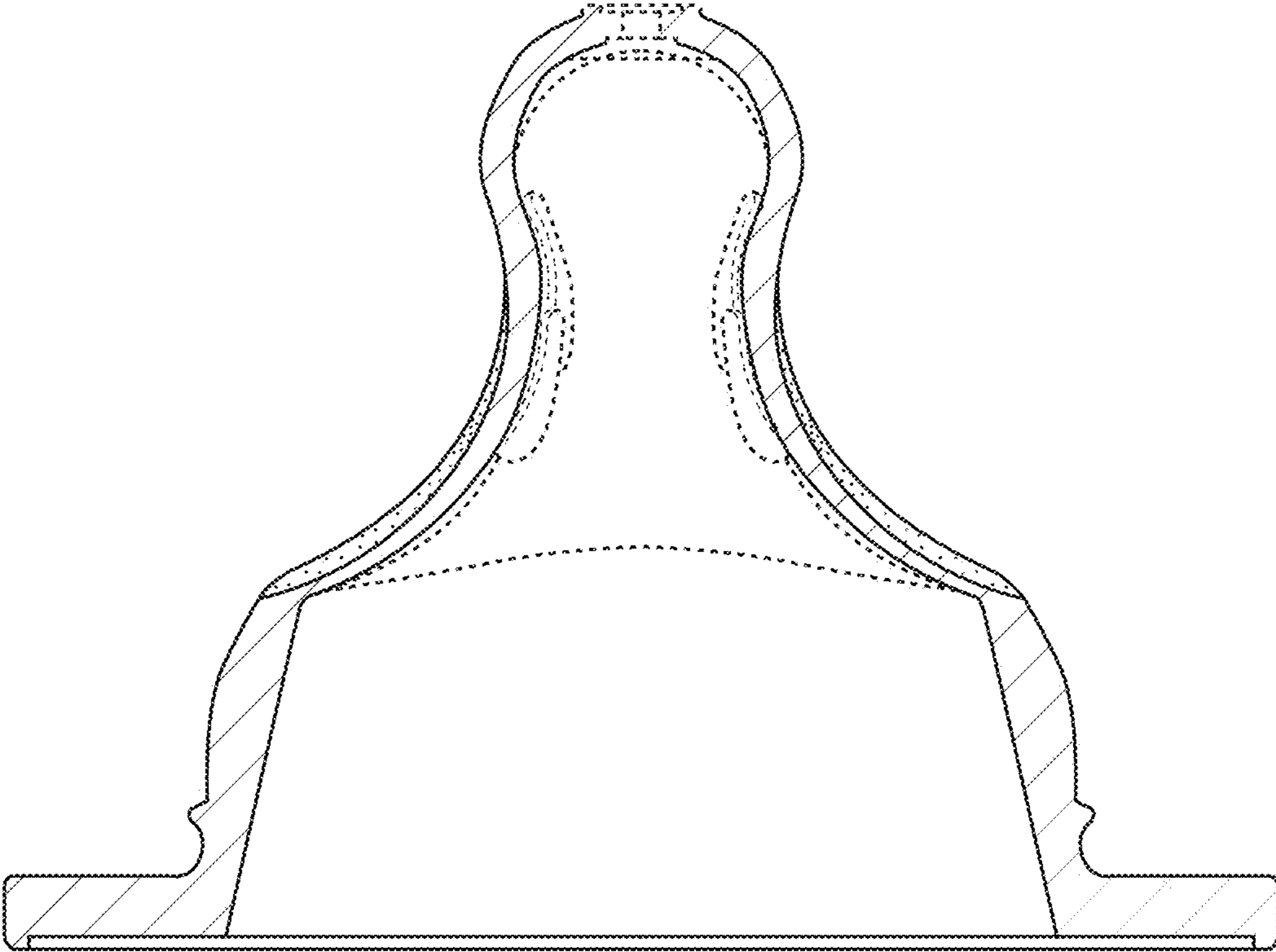


FIG. 3