



US00D939712S

(12) **United States Design Patent** (10) **Patent No.:** **US D939,712 S**
Thirugnanasambandam et al. (45) **Date of Patent:** **** Dec. 28, 2021**

(54) **DENTAL RESTORATION PREFORM**

6,224,371 B1 5/2001 De Luca
6,482,284 B1 11/2002 Reidt et al.
6,485,305 B1 11/2002 Pfeiffer
6,663,390 B2 12/2003 Riley et al.

(71) Applicant: **James R. Glidewell Dental Ceramics, Inc.**, Newport Beach, CA (US)

(Continued)

(72) Inventors: **Prabhakar Thirugnanasambandam**, Irvine, CA (US); **Kenad Destanovic**, Mission Viejo, CA (US); **Marco Antonio Jokada**, Diamond Bar, CA (US); **David Christopher Leeson**, North Tustin, CA (US); **Vahed Golestanian Nemagrđi**, Orange, CA (US)

FOREIGN PATENT DOCUMENTS

JP D2016-2275 * 2/2017
WO 2013164411 A1 7/2013

OTHER PUBLICATIONS

Inside Dentistry, "BruxZir NOW Milling Blocks", first available Dec. 2015. (<https://www.aegisdentalnetwork.com/id/2015/12/buxzir-now-milling-blocks>) (Year: 2015).*

(Continued)

Primary Examiner — Lauren D McVey

Assistant Examiner — Justin A Johnson

(74) *Attorney, Agent, or Firm* — Charles Fowler

(73) Assignee: **James R. Glidewell Dental Ceramics, Inc.**, Newport Beach, CA (US)

(**) Term: **15 Years**

(21) Appl. No.: **29/711,663**

(22) Filed: **Nov. 1, 2019**

(51) **LOC (13) Cl.** **24-02**

(52) **U.S. Cl.**
USPC **D24/181**

(58) **Field of Classification Search**
USPC D24/133, 142, 152, 153, 154, 155, 156, D24/176, 178, 179, 180, 181, 182
CPC .. A61C 1/00; A61C 1/08; A61C 1/084; A61C 1/16; A61C 3/00; A61C 3/08; A61C 5/00; A61C 5/007; A61C 5/20; A61C 5/30; A61C 5/70; A61C 7/00; A61C 7/36; A61C 8/00; A61C 8/0001; A61C 8/0054; A61C 8/008; A61C 8/0081; A61C 8/0083; A61C 2008/0084; A61C 8/0087; A61C 8/0089; A61C 8/0096; A61C 9/00; A61C 9/0006; A61C 19/008; A61C 19/02; A61K 6/00

See application file for complete search history.

(56) **References Cited**

U.S. PATENT DOCUMENTS

5,342,696 A 8/1994 Eidenbenz et al.
D418,226 S * 12/1999 Cody D24/186

(57) **CLAIM**

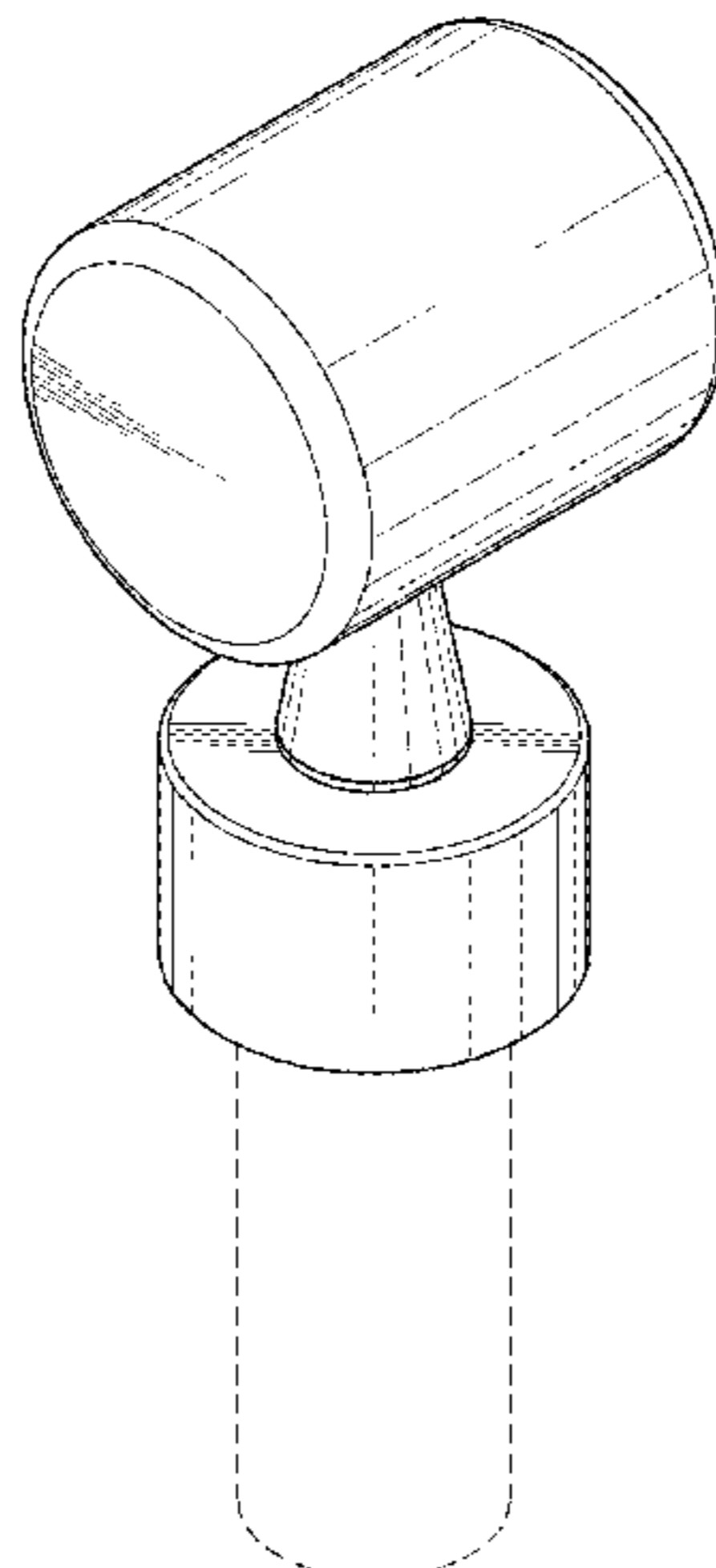
The ornamental design for a dental restoration preform, as shown and described.

DESCRIPTION

FIG. 1 is a front perspective view of a dental restoration preform, showing my new design; FIG. 2 is a right side view thereof; FIG. 3 is a left side view thereof; FIG. 4 is a front view thereof; FIG. 5 is a rear view thereof; FIG. 6 is a top view thereof; and, FIG. 7 is a bottom view thereof.

The broken lines immediately adjacent to the shaded areas depict the bounds of the claimed design, while all other broken lines are directed to environment. The broken lines form no part of the claimed design.

1 Claim, 4 Drawing Sheets



(56)

References Cited

U.S. PATENT DOCUMENTS

6,991,853 B2 1/2006 Branco de Luca et al.
 D537,940 S * 3/2007 Buttler D24/142
 D549,326 S * 8/2007 Aparici D24/133
 D649,246 S * 11/2011 Prichett D24/142
 D659,843 S * 5/2012 Wang A61C 1/08
 D24/200
 8,402,624 B2 3/2013 Galehr
 8,483,857 B2 7/2013 Orth
 8,551,622 B2 10/2013 Ganley et al.
 D716,456 S * 10/2014 Rusin D24/181
 8,940,402 B2 1/2015 Giordano
 9,155,598 B2 10/2015 Niewiadomski
 D769,449 S 10/2016 Leeson et al.
 D781,428 S 3/2017 Leeson et al.
 D818,700 S * 5/2018 Lehrberg D3/203.1
 10,479,729 B2 * 11/2019 Valenti A61C 13/0022
 D904,606 S * 12/2020 Gloess A61C 13/0022
 D24/133
 11,045,291 B2 * 6/2021 Leeson B28B 11/08
 2006/0204932 A1 9/2006 Haymann et al.

2010/0112515 A1* 5/2010 Chen A61C 1/08
 433/114
 2012/0148985 A1 6/2012 Jung et al.
 2012/0219930 A1 8/2012 Heinz et al.
 2013/0288026 A1 10/2013 Johnson
 2013/0316305 A1 11/2013 Carden et al.
 2013/0316306 A1 11/2013 Carden et al.
 2015/0086939 A1 3/2015 Fisker et al.
 2015/0125821 A1 5/2015 Theelke et al.
 2021/0093464 A1* 4/2021 Sweitzer A61F 2/46
 2021/0128272 A1* 5/2021 Jokada A61C 13/083

OTHER PUBLICATIONS

Dentistry Today, "Material Choices for CAD/CAM Dentistry", first available Feb. 1, 2018. (<https://www.dentistrytoday.com/material-choices-for-cad-cam-dentistry/>) (Year: 2018).*
 Northern VA Periodontics, "Dental Implant Cost Breakdown", first available Oct. 14, 2019. (<https://www.northernvaperio.com/2019/10/14/dental-implant-cost-breakdown/>) (Year: 2019).*
 Vimeo, "Planmeca PlanMill 30 S", first available Dec. 20, 2018. (<https://vimeo.com/307465411>) (Year: 2021).*

* cited by examiner

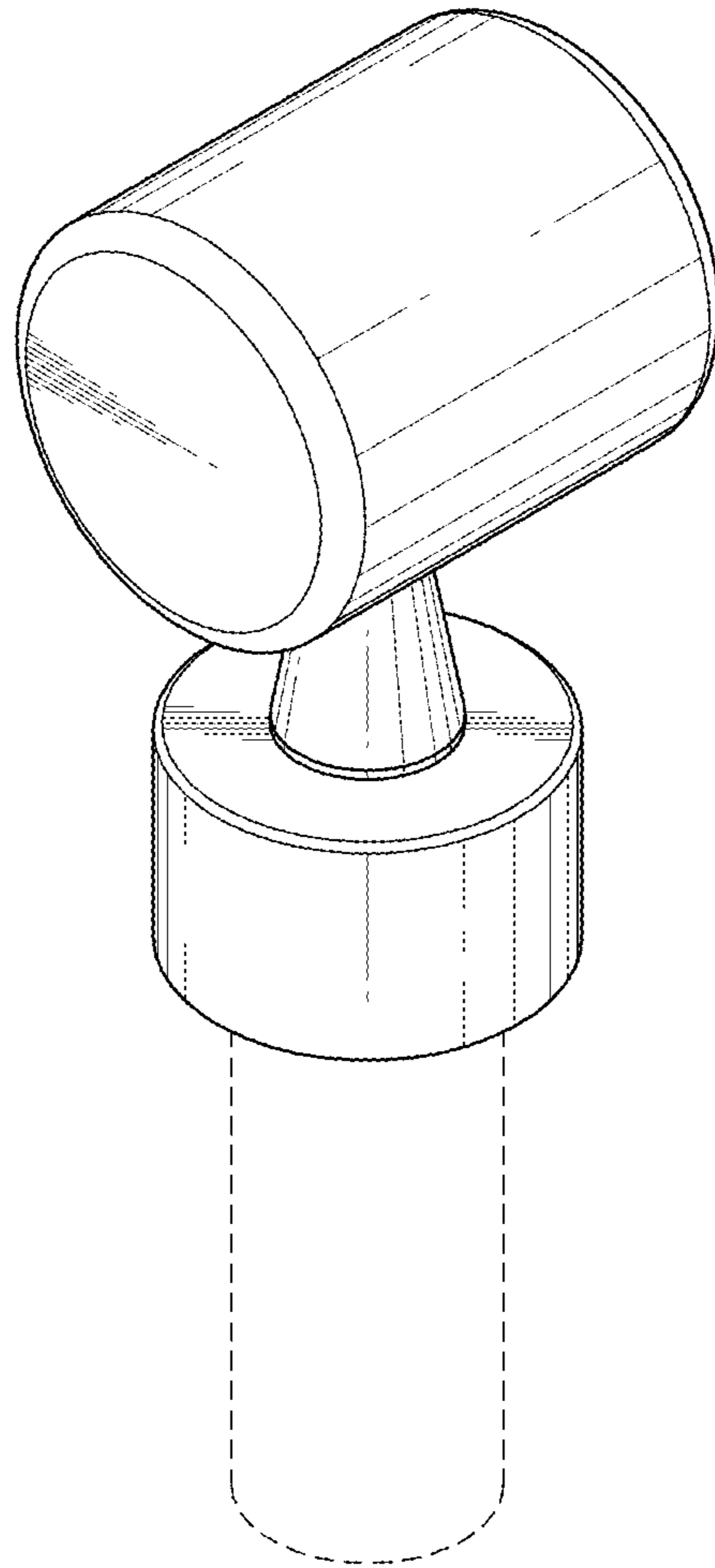


FIG. 1

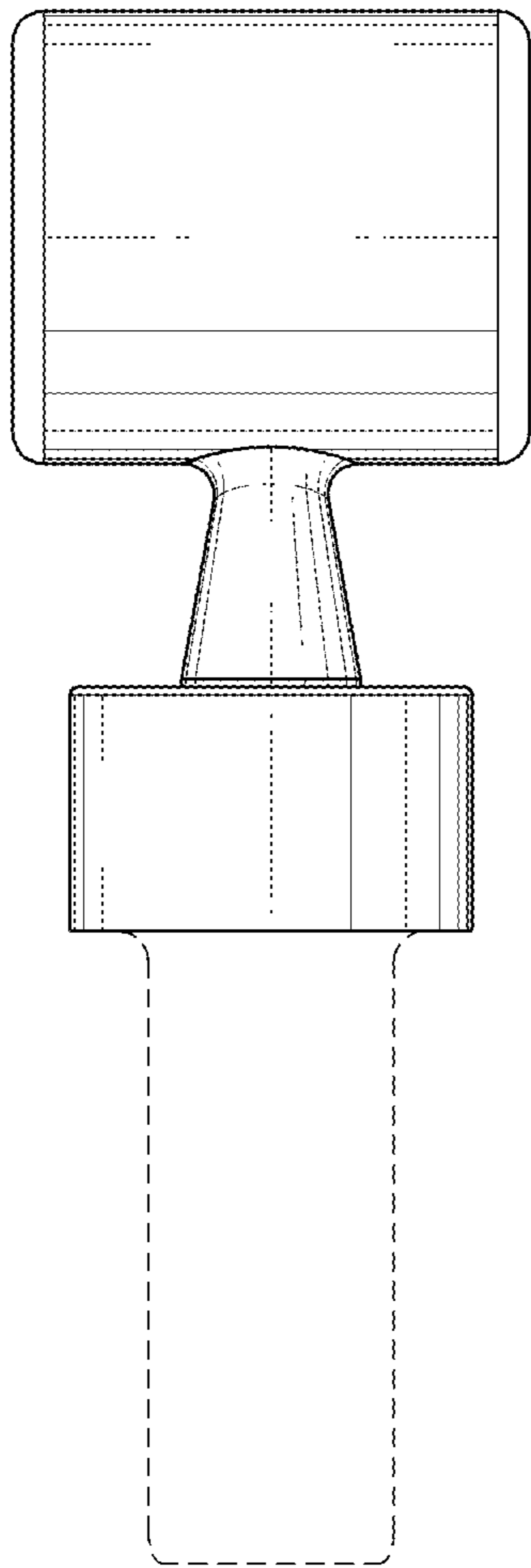


FIG. 2

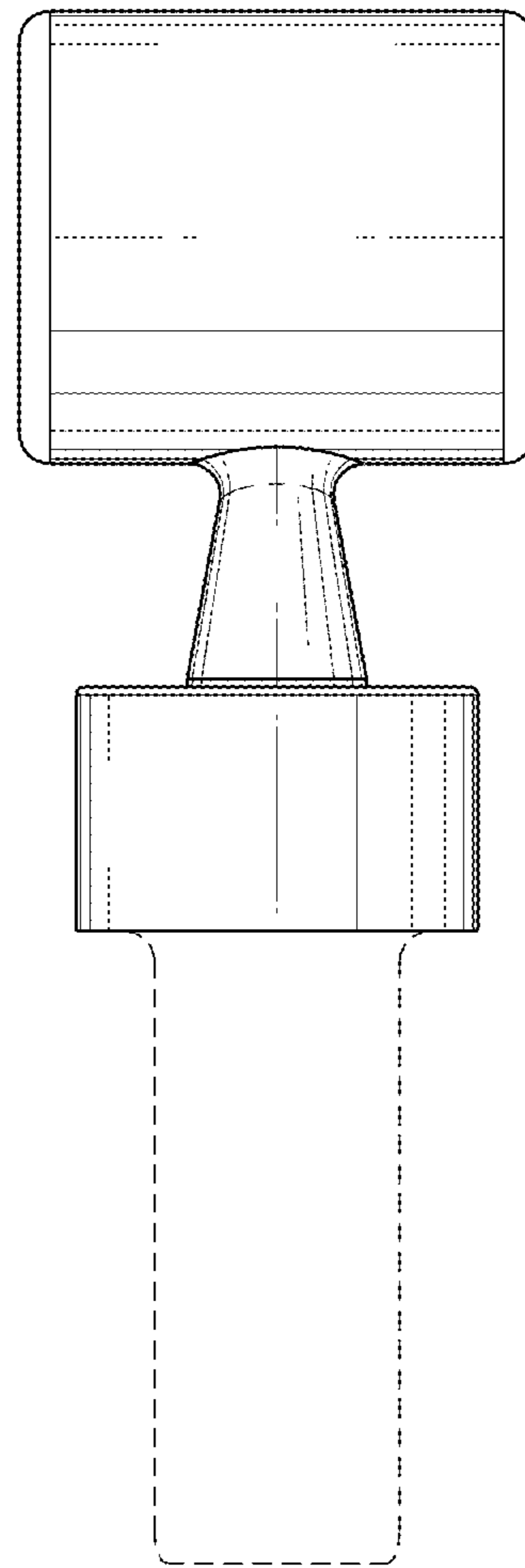


FIG. 3

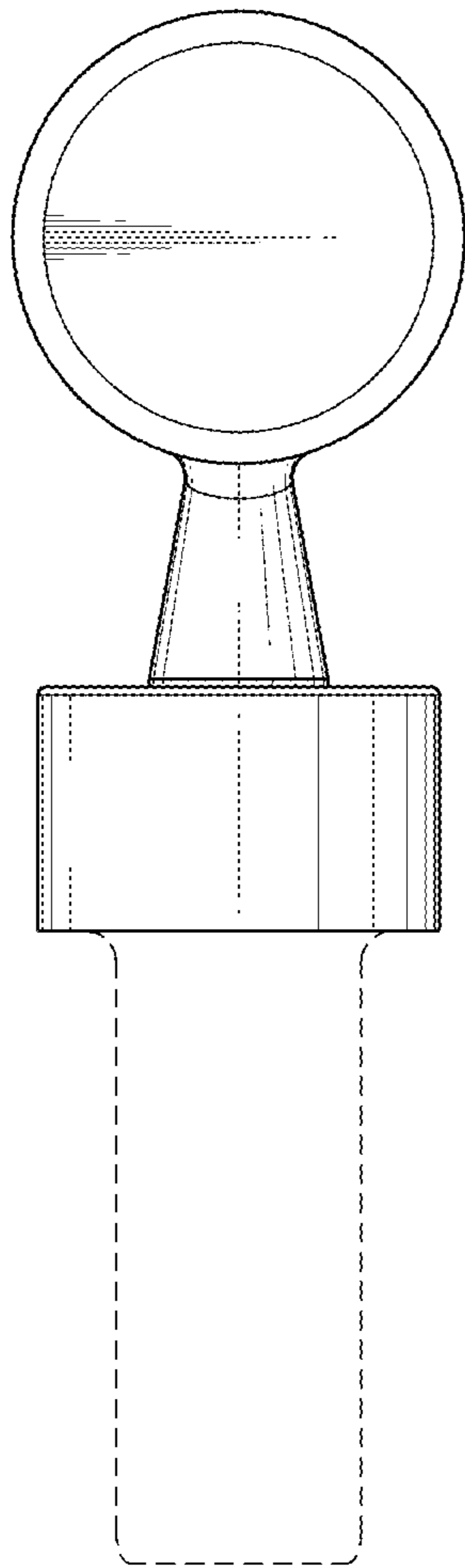


FIG. 4

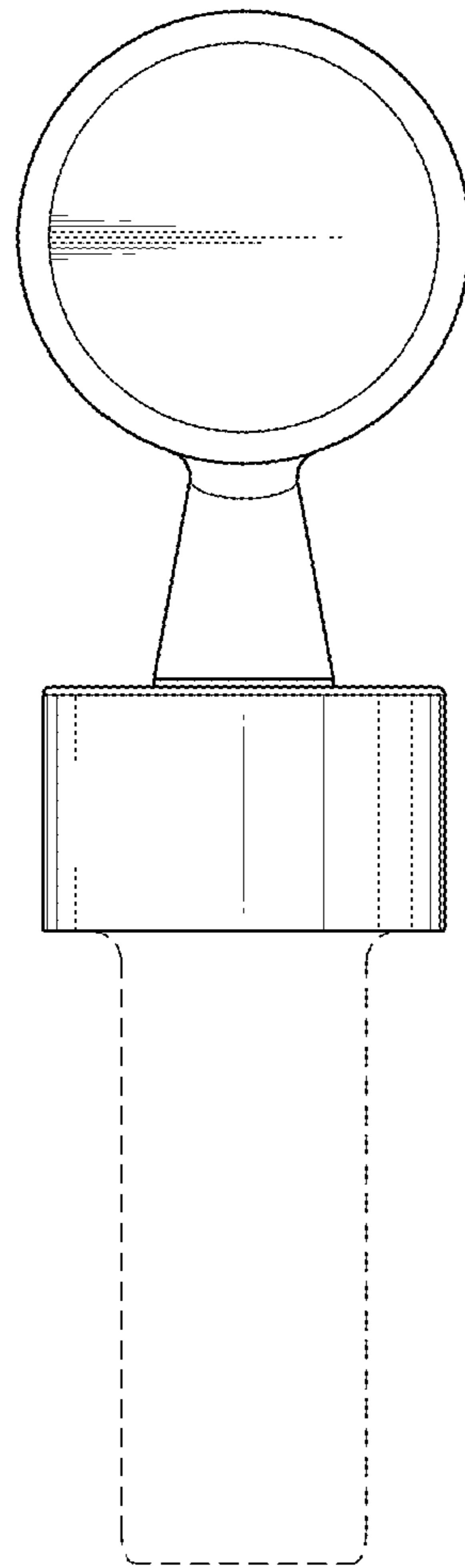


FIG. 5

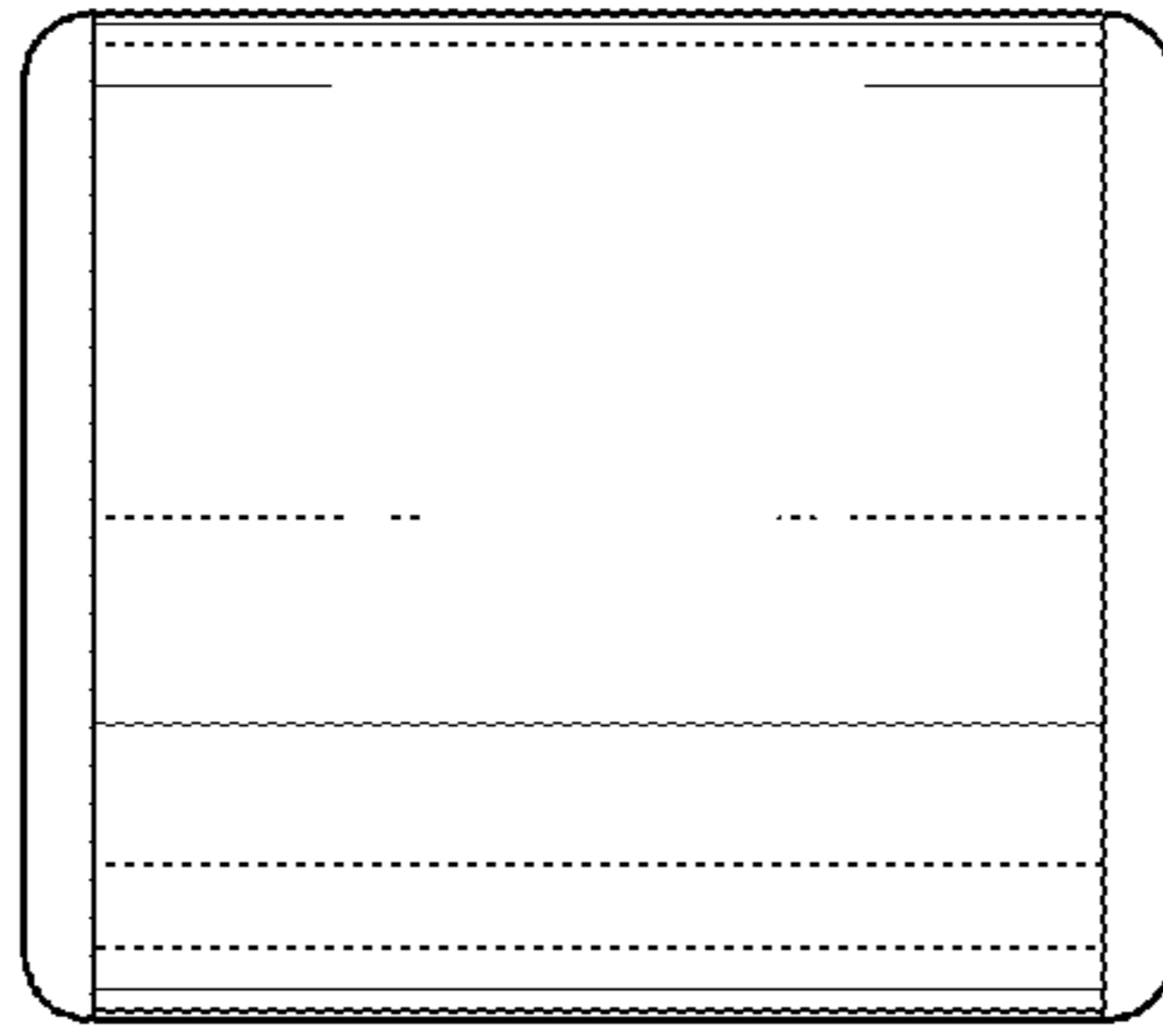


FIG. 6

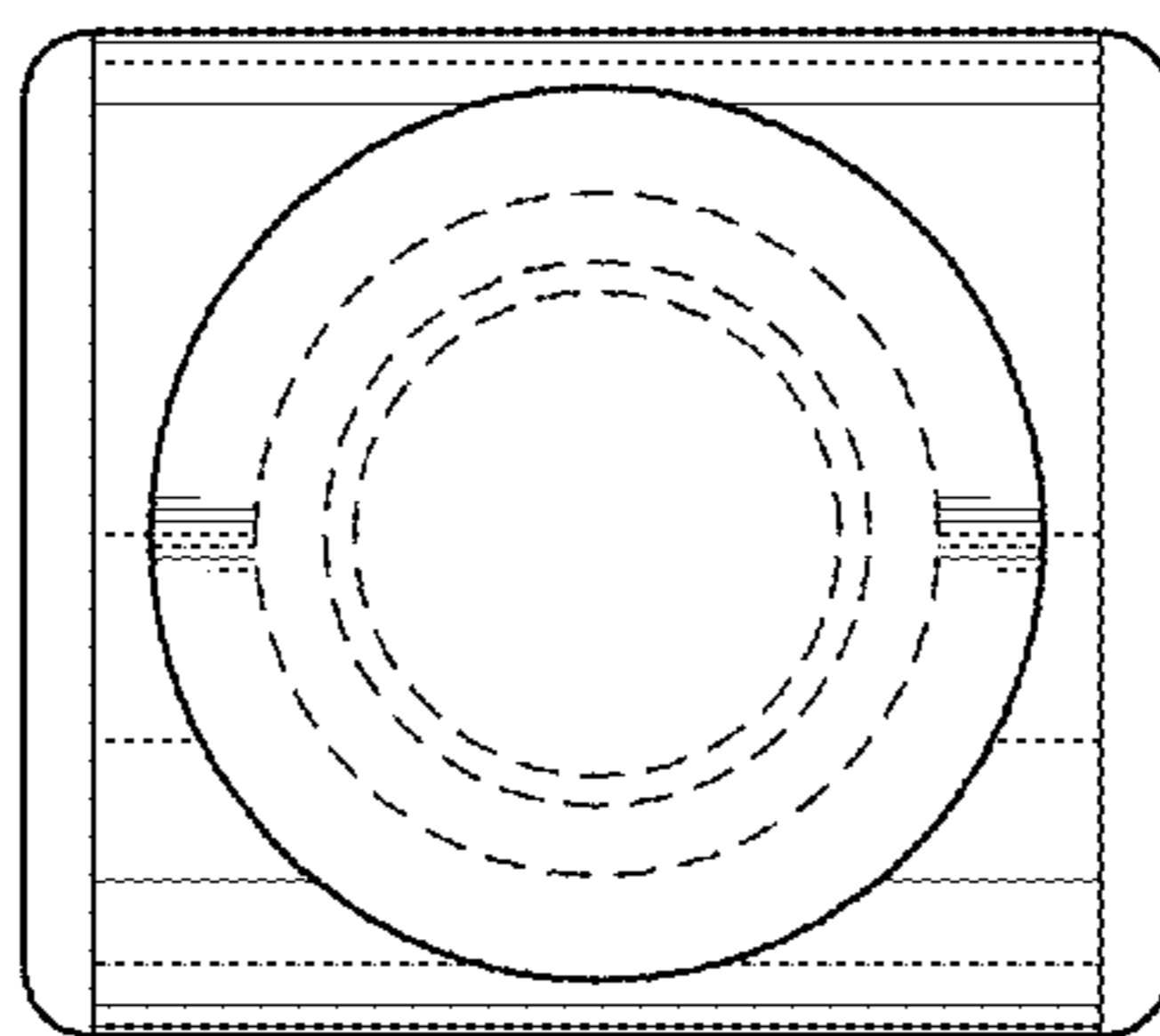


FIG. 7