



US00D939711S

(12) **United States Design Patent** (10) **Patent No.:** **US D939,711 S**
Bedford et al. (45) **Date of Patent:** **** Dec. 28, 2021**

(54) **ADJUSTABLE ANCHOR FOR DENTAL APPLIANCES**

DESCRIPTION

(71) Applicant: **SomnoMed Limited**, Crows Nest (AU)

(72) Inventors: **Christopher Russell Bedford**, Rozelle (AU); **Joshua Luke Meier**, Woy Woy (AU); **Wataru Obuchi**, Maroubra (AU); **Harrison John Wood**, Ourimbah (AU)

(73) Assignee: **SomnoMed Limited**, Crows Nest (AU)

(**) Term: **15 Years**

(21) Appl. No.: **29/707,620**

(22) Filed: **Sep. 30, 2019**

(30) **Foreign Application Priority Data**

Apr. 1, 2019 (AU) 201911830

(51) **LOC (13) Cl.** **24-01**

(52) **U.S. Cl.**
USPC **D24/176**

(58) **Field of Classification Search**
USPC D24/176-178, 182, 133, 152, 156, 140
(Continued)

(56) **References Cited**

U.S. PATENT DOCUMENTS

4,260,383 A * 4/1981 Weissman A61C 1/082
433/225

5,322,437 A * 6/1994 Hunter A61C 19/04
433/72

(Continued)

Primary Examiner — Wan Laymon

(74) *Attorney, Agent, or Firm* — Jack D. Stone, Jr.;
Scheef & Stone, L.L.P.

(57) **CLAIM**

The ornamental design for an adjustable anchor for dental appliances, as shown and described.

FIG. 1 is a front perspective view of our new design for an adjustable anchor for dental appliances;
FIG. 2 is a rear perspective view thereof;
FIG. 3 is a front view thereof;
FIG. 4 is a rear view thereof;
FIG. 5 is a right side view thereof;
FIG. 6 is a left side view thereof;
FIG. 7 is a top view thereof;
FIG. 8 is a bottom view thereof;
FIG. 9 is a front perspective view of an alternative embodiment of our new design for an adjustable anchor for dental appliances;
FIG. 10 is a rear perspective view thereof;
FIG. 11 is a front view thereof;
FIG. 12 is a rear view thereof;
FIG. 13 is a right side view thereof;
FIG. 14 is a left side view thereof;
FIG. 15 is a top view thereof;
FIG. 16 is a bottom view thereof;
FIG. 17 is a front perspective view of an alternative embodiment of our new design for an adjustable anchor for dental appliances;
FIG. 18 is a rear perspective view thereof;
FIG. 19 is a front view thereof;
FIG. 20 is a rear view thereof;
FIG. 21 is a right side view thereof;
FIG. 22 is a left side view thereof;
FIG. 23 is a top view thereof;
FIG. 24 is a bottom view thereof;
FIG. 25 is a front perspective view of an alternative embodiment of our new design for an adjustable anchor for dental appliances;
FIG. 26 is a rear perspective view thereof;
FIG. 27 is a front view thereof;
FIG. 28 is a rear view thereof;
FIG. 29 is a right side view thereof;
FIG. 30 is a left side view thereof;
FIG. 31 is a top view thereof;
FIG. 32 is a bottom view thereof;

(Continued)

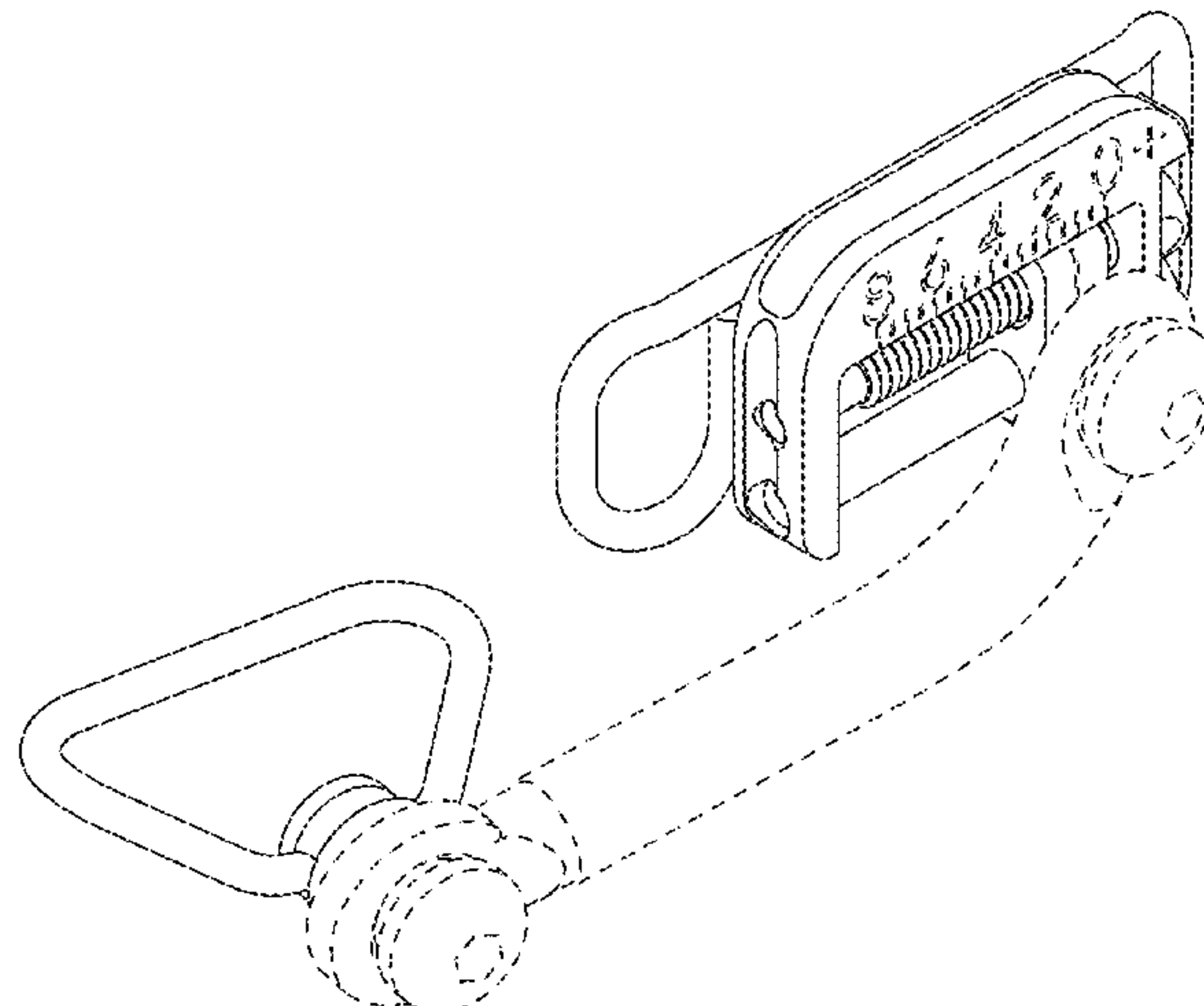


FIG. 33 is a front perspective view of an alternative embodiment of our new design for an adjustable anchor for dental appliances;
 FIG. 34 is a rear perspective view thereof;
 FIG. 35 is a front view thereof;
 FIG. 36 is a rear view thereof;
 FIG. 37 is a right side view thereof;
 FIG. 38 is a left side view thereof;
 FIG. 39 is a top view thereof;
 FIG. 40 is a bottom view thereof;
 FIG. 41 is a front perspective view of an alternative embodiment of our new design for an adjustable anchor for dental appliances;
 FIG. 42 is a rear perspective view thereof;
 FIG. 43 is a front view thereof;
 FIG. 44 is a rear view thereof;
 FIG. 45 is a right side view thereof;
 FIG. 46 is a left side view thereof;
 FIG. 47 is a top view thereof;
 FIG. 48 is a bottom view thereof;
 FIG. 49 is a front perspective view of an alternative embodiment of our new design for an adjustable anchor for dental appliances;
 FIG. 50 is a rear perspective view thereof;
 FIG. 51 is a front view thereof;
 FIG. 52 is a rear view thereof;
 FIG. 53 is a right side view thereof;
 FIG. 54 is a left side view thereof;
 FIG. 55 is a top view thereof;
 FIG. 56 is a bottom view thereof;
 FIG. 57 is a front perspective view of an alternative embodiment of our new design for an adjustable anchor for dental appliances;
 FIG. 58 is a rear perspective view thereof;
 FIG. 59 is a front view thereof;
 FIG. 60 is a rear view thereof;
 FIG. 61 is a right side view thereof;
 FIG. 62 is a left side view thereof;
 FIG. 63 is a top view thereof;
 FIG. 64 is a bottom view thereof;
 FIG. 65 is a front perspective view of an alternative embodiment of our new design for an adjustable anchor for dental appliances;
 FIG. 66 is a rear perspective view thereof;
 FIG. 67 is a front view thereof;
 FIG. 68 is a rear view thereof;
 FIG. 69 is a right side view thereof;
 FIG. 70 is a left side view thereof;
 FIG. 71 is a top view thereof;
 FIG. 72 is a bottom view thereof;
 FIG. 73 is a front perspective view of an alternative embodiment of our new design for an adjustable anchor for dental appliances;

FIG. 74 is a rear perspective view thereof;
 FIG. 75 is a front view thereof;
 FIG. 76 is a rear view thereof;
 FIG. 77 is a right side view thereof;
 FIG. 78 is a left side view thereof;
 FIG. 79 is a top view thereof;
 FIG. 80 is a bottom view thereof;
 FIG. 81 is a front perspective view of an alternative embodiment of our new design for an adjustable anchor for dental appliances;
 FIG. 82 is a front view thereof;
 FIG. 83 is a rear perspective view thereof;
 FIG. 84 is a rear view thereof;
 FIG. 85 is a right side view thereof;
 FIG. 86 is a left side view thereof;
 FIG. 87 is a top view thereof;
 FIG. 88 is a bottom view thereof;
 FIG. 89 is a front perspective view of an alternative embodiment of our new design for an adjustable anchor for dental appliances;
 FIG. 90 is a rear perspective view thereof;
 FIG. 91 is a front view thereof;
 FIG. 92 is a rear view thereof;
 FIG. 93 is a right side view thereof;
 FIG. 94 is a left side view thereof;
 FIG. 95 is a top view thereof; and,
 FIG. 96 is a bottom view thereof.
 The broken lines shown in the drawings are included for the purpose of illustrating portions of the adjustable anchor for dental appliances and form no part of the claimed design.

1 Claim, 96 Drawing Sheets

(58) **Field of Classification Search**
 CPC A61C 11/08; A61C 11/081; A61C 19/00;
 A61C 13/1009; A61C 8/0066; A61C
 3/00; A61C 1/082; A61C 19/04
 See application file for complete search history.

(56) **References Cited**

U.S. PATENT DOCUMENTS

6,033,218	A *	3/2000	Bergstrom	A61C 8/0089 433/141
D725,783	S *	3/2015	Bedford	D24/176
D738,511	S *	9/2015	Bedford	D24/176
9,883,928	B2 *	2/2018	Elnajjar	A61C 11/08
2021/0145316	A1 *	5/2021	Groman	A61C 19/05

* cited by examiner

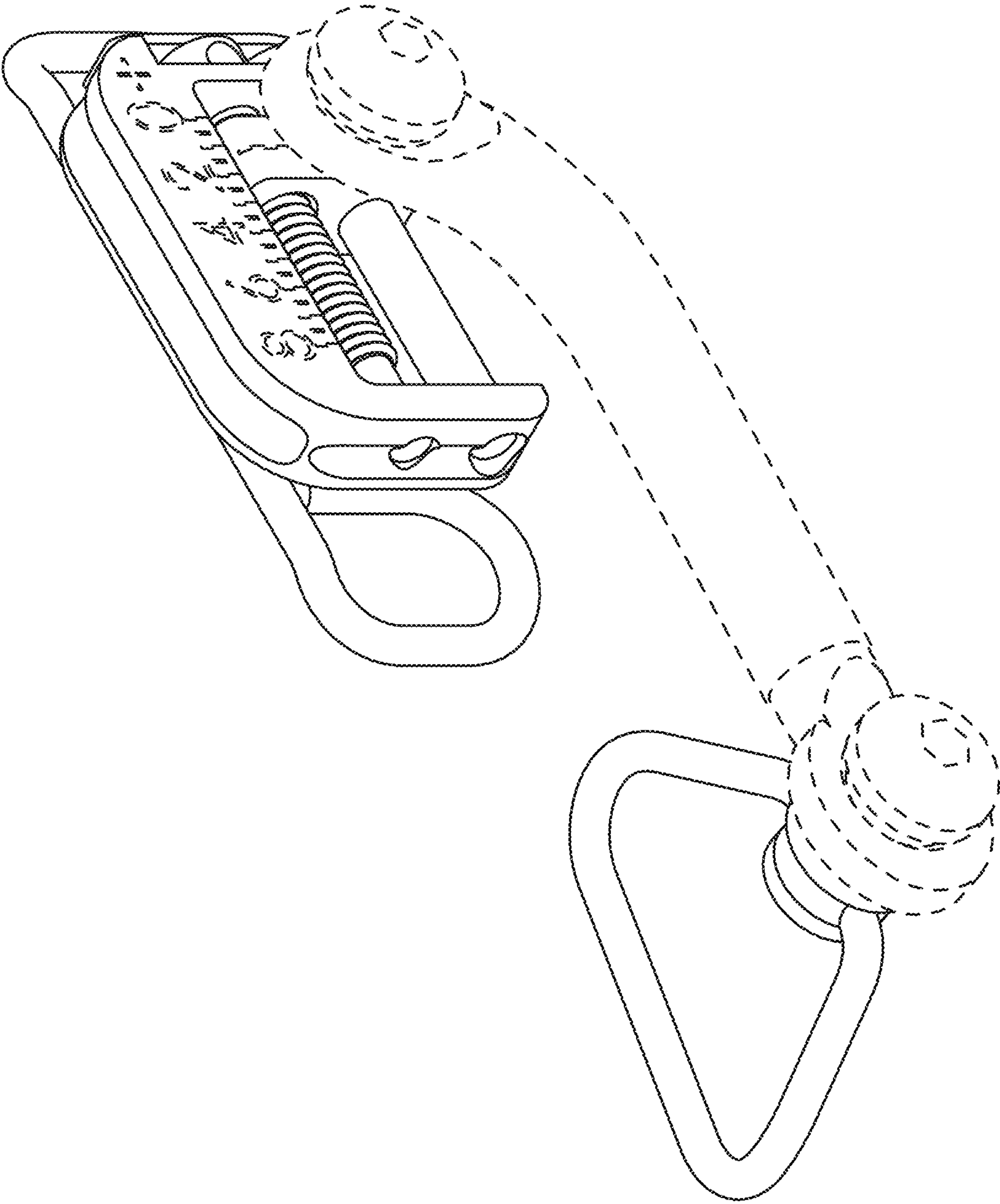


FIG. 1

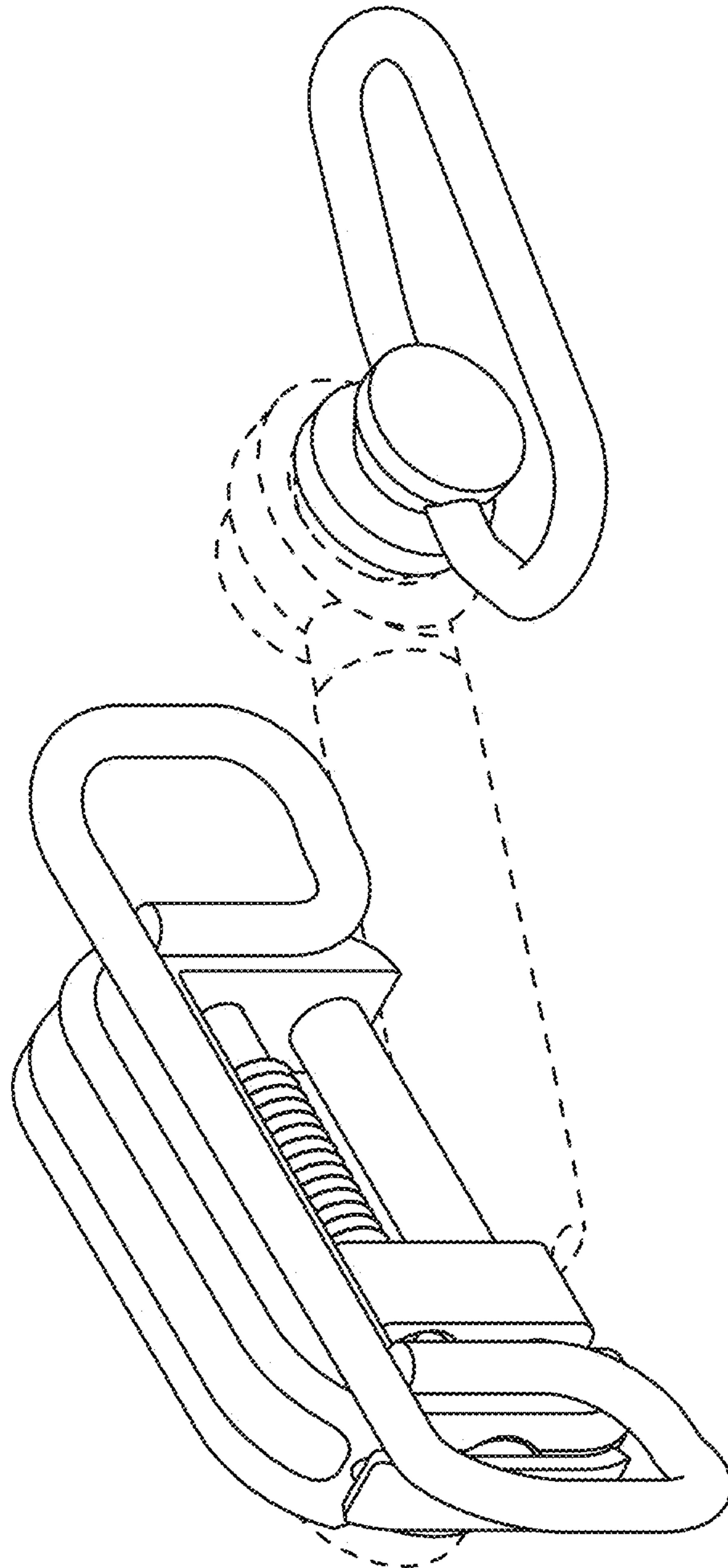


FIG.2

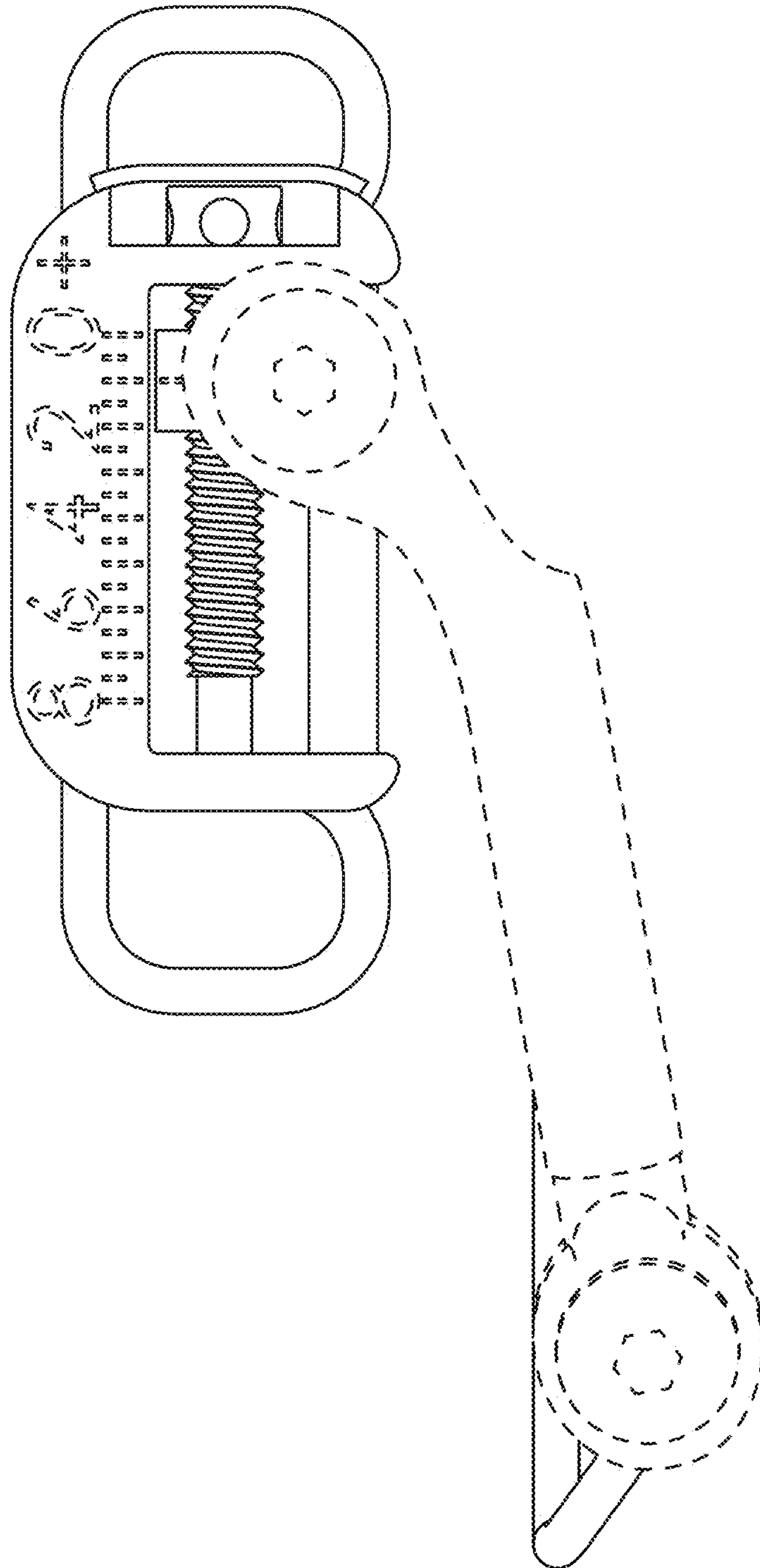


FIG.3

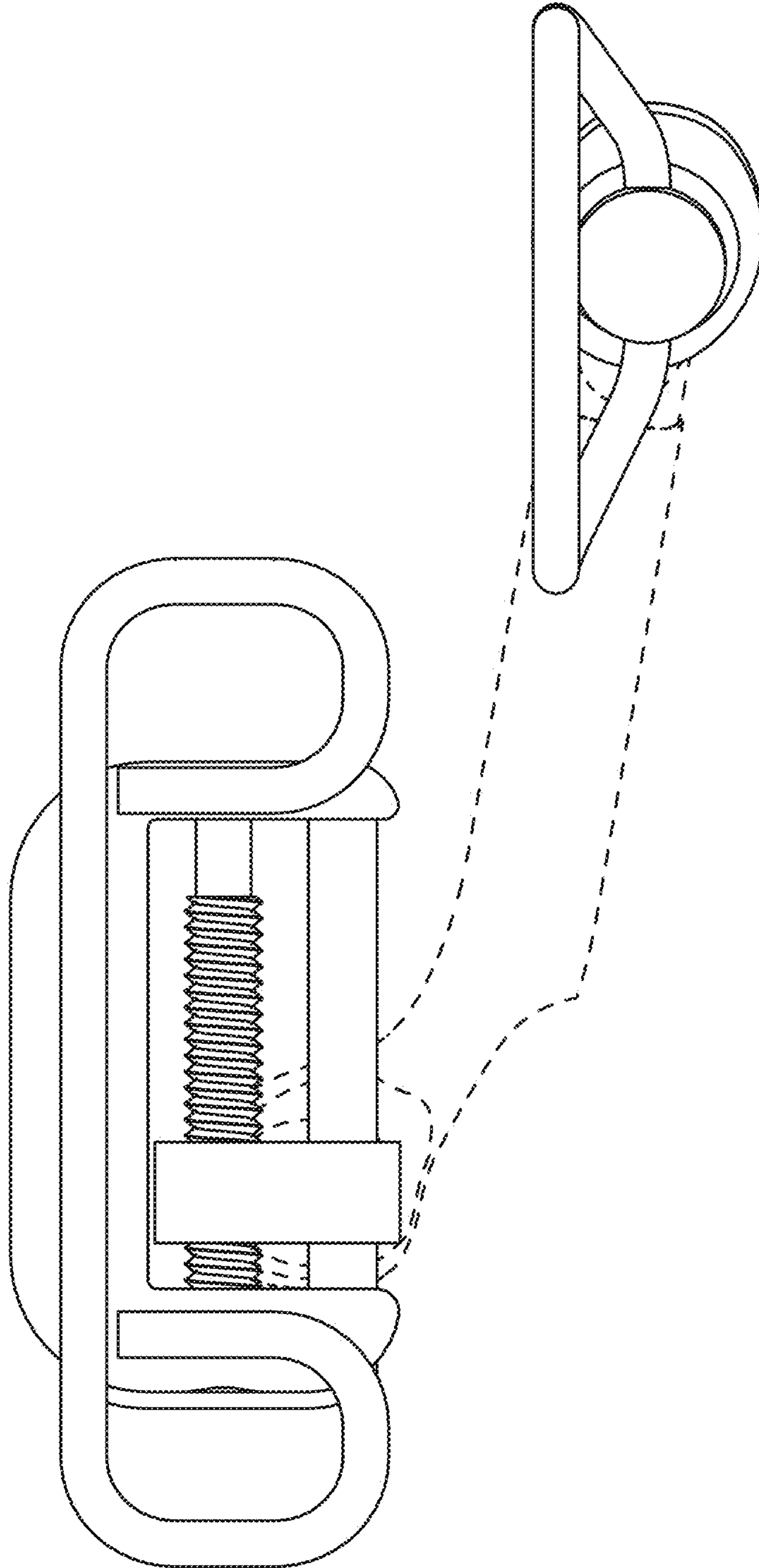


FIG. 4

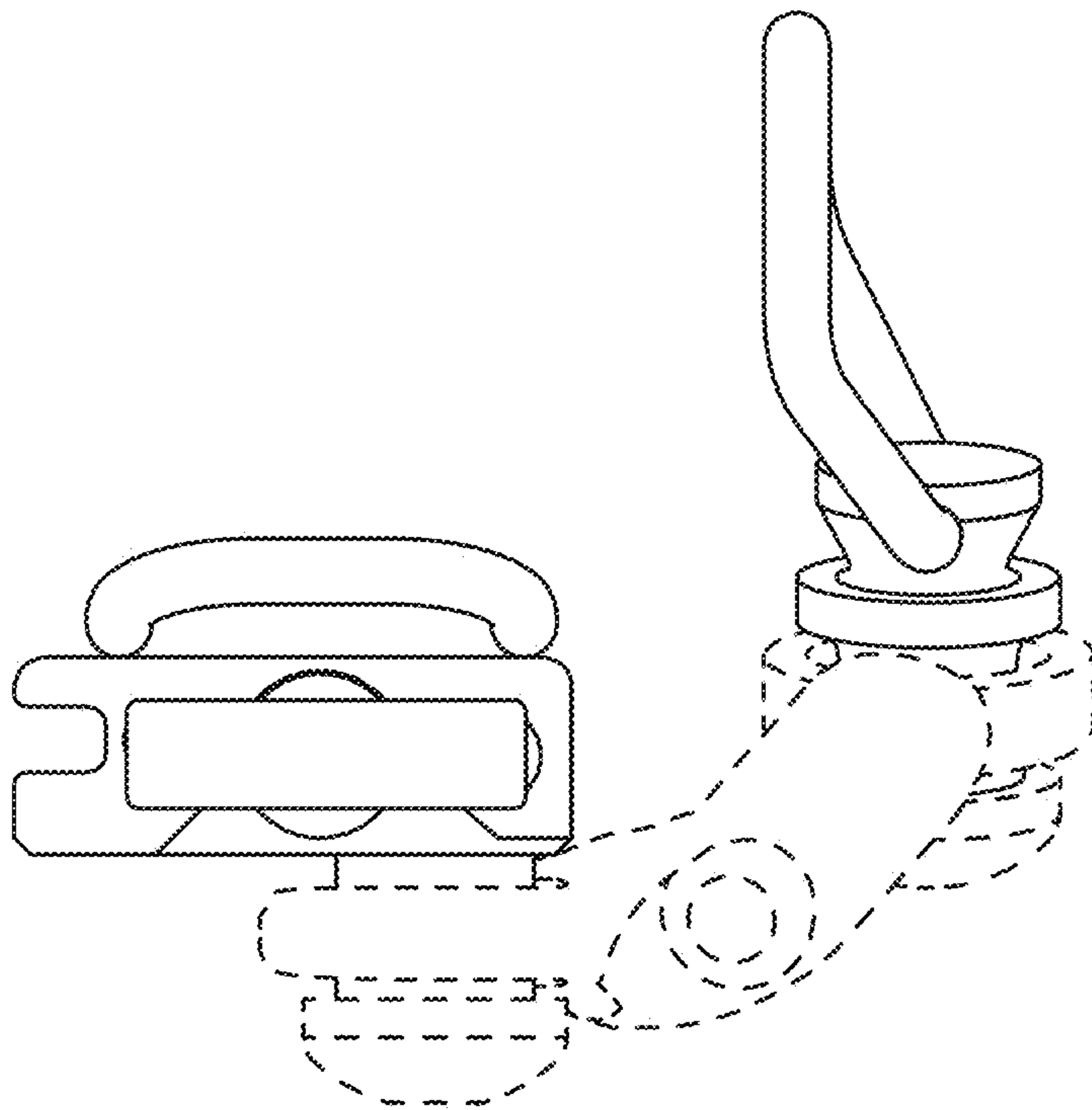


FIG.5

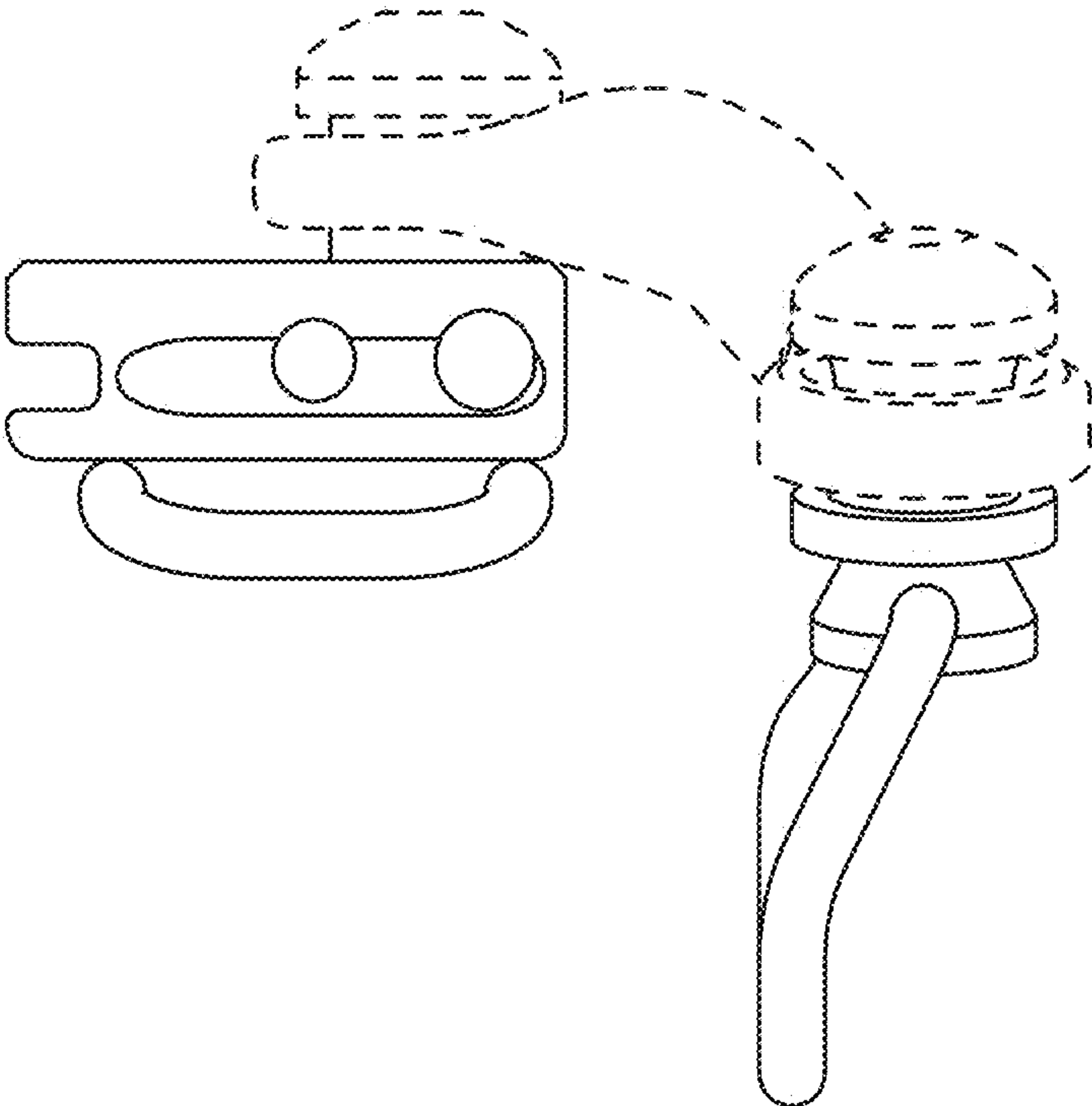


FIG.6

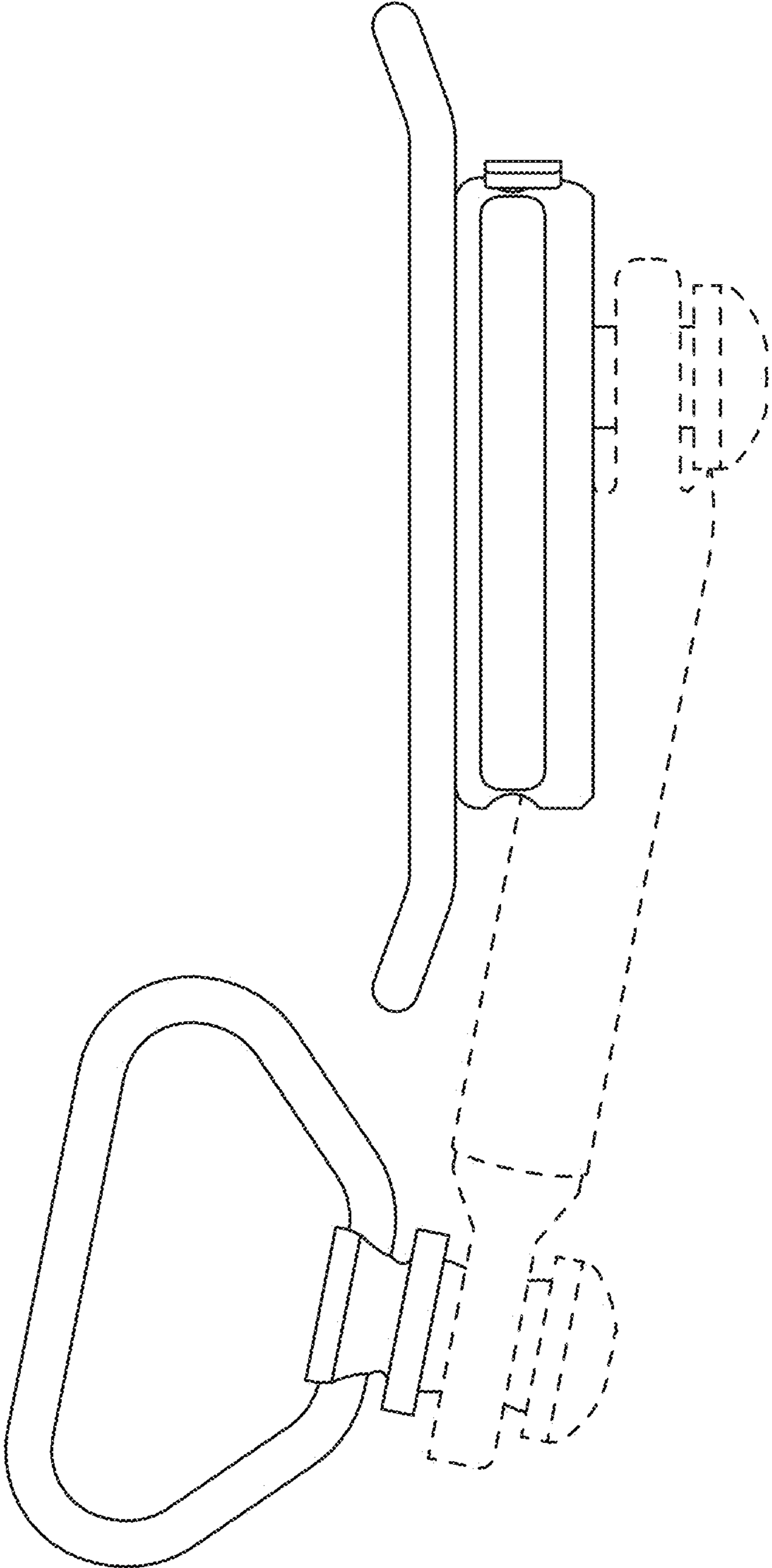


FIG. 7

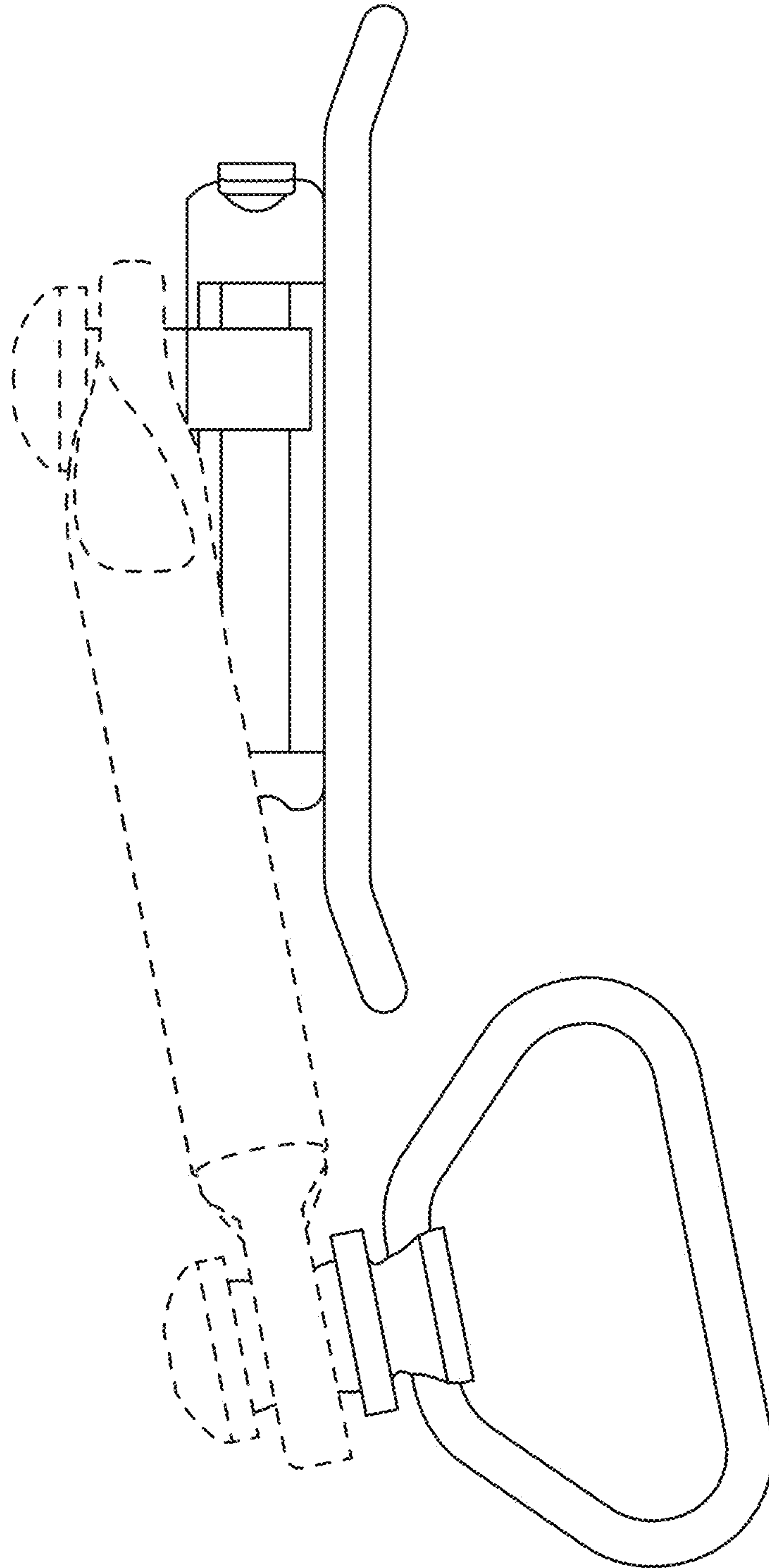


FIG.8

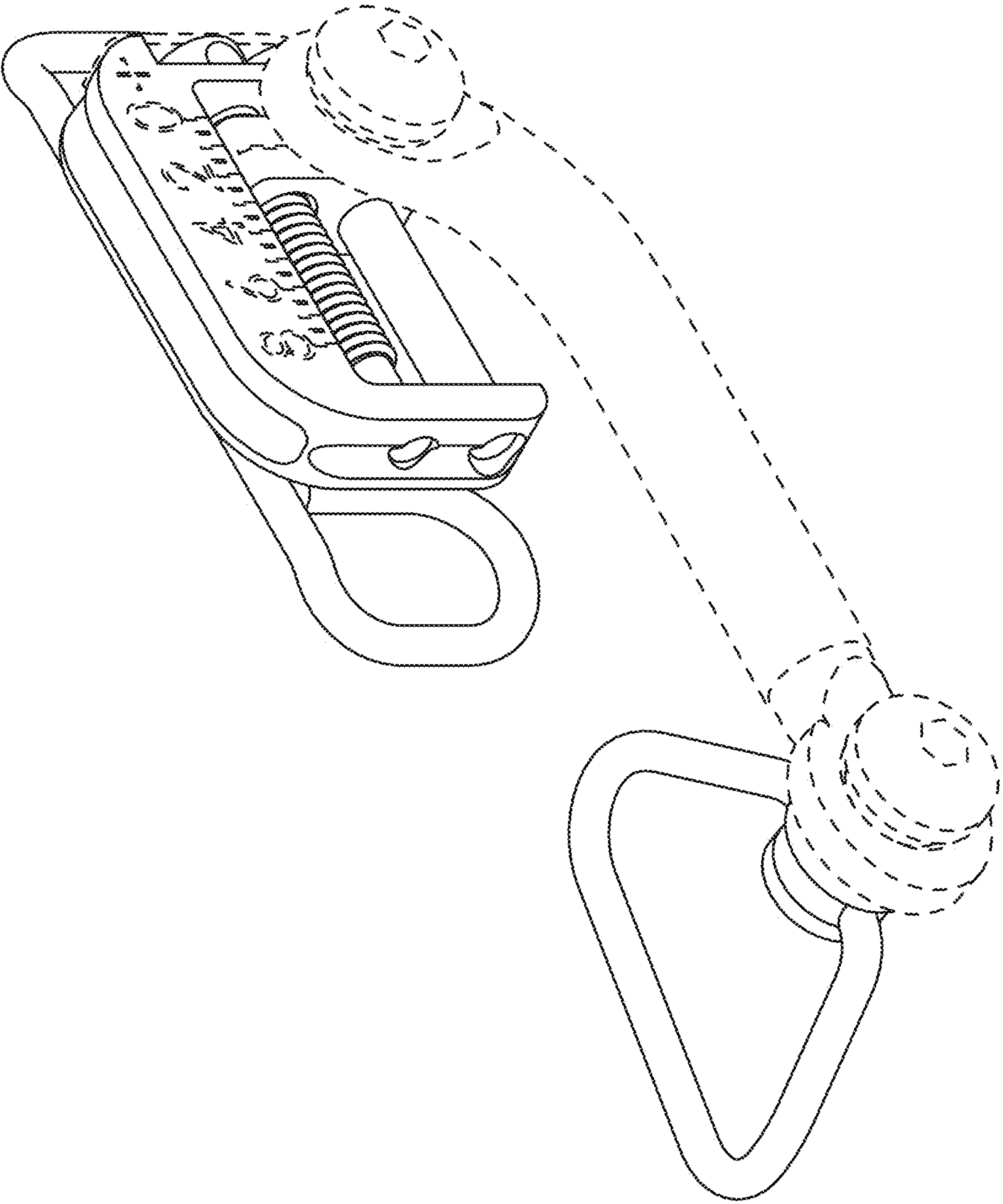


FIG.9

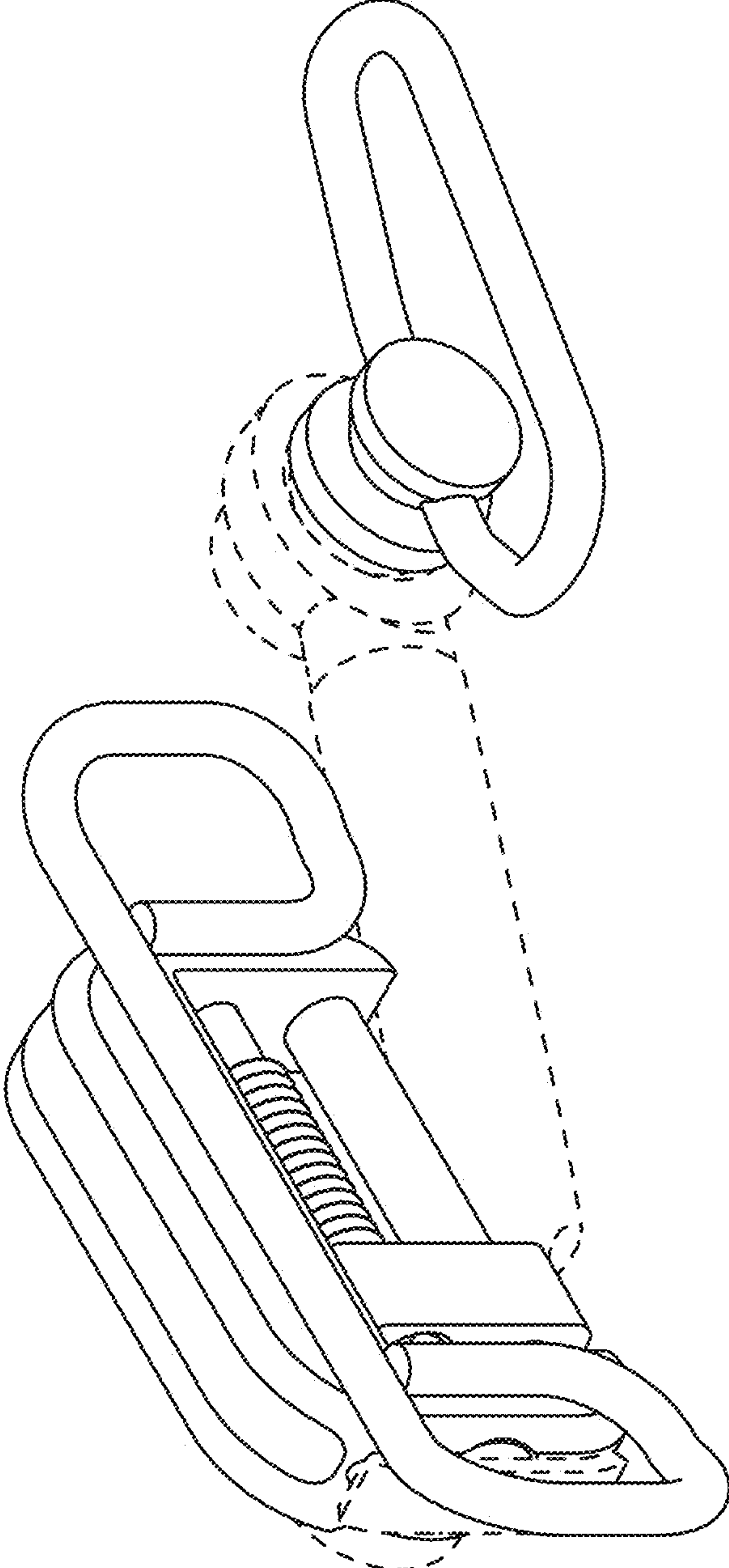


FIG.10

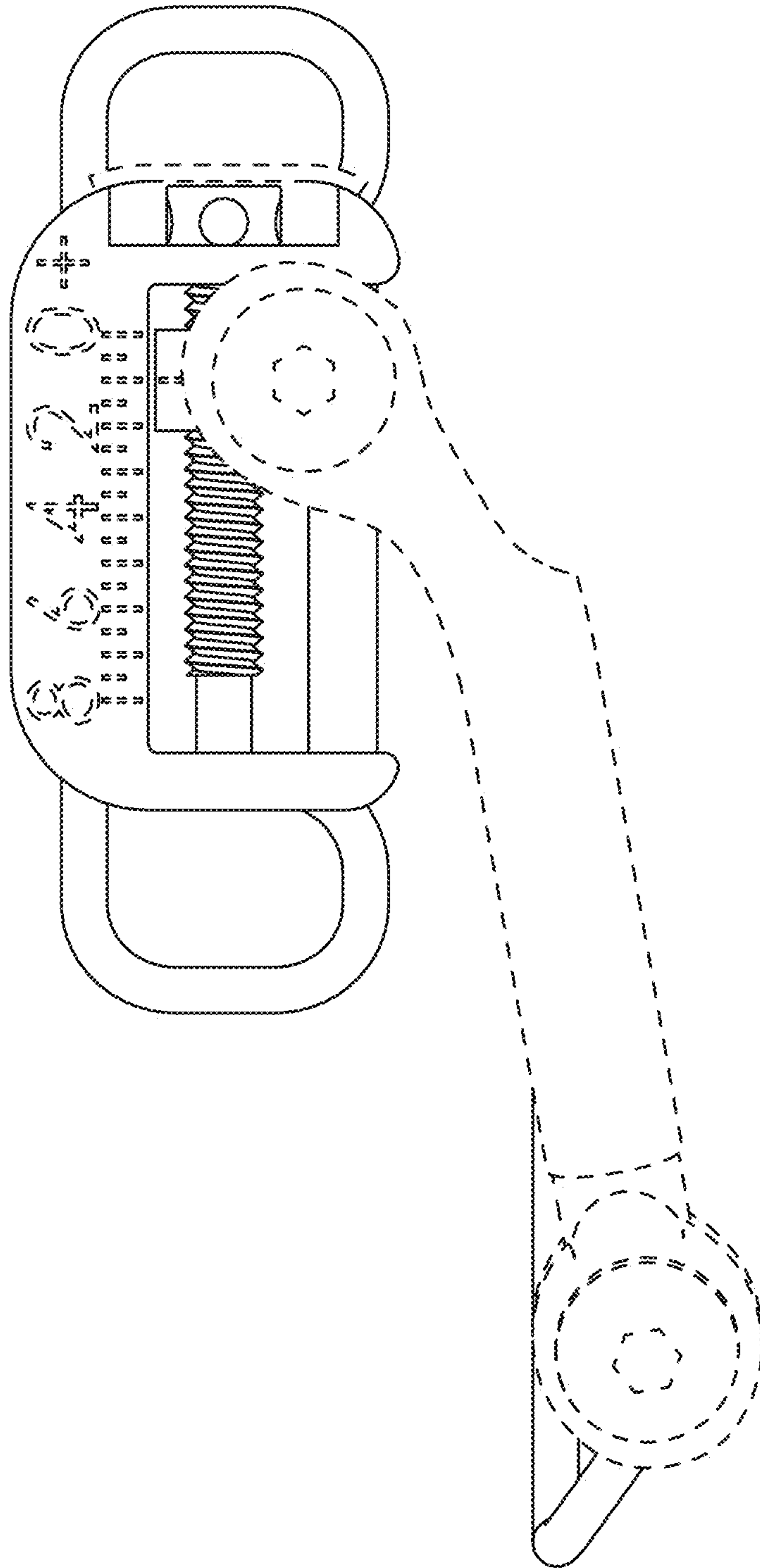


FIG.11

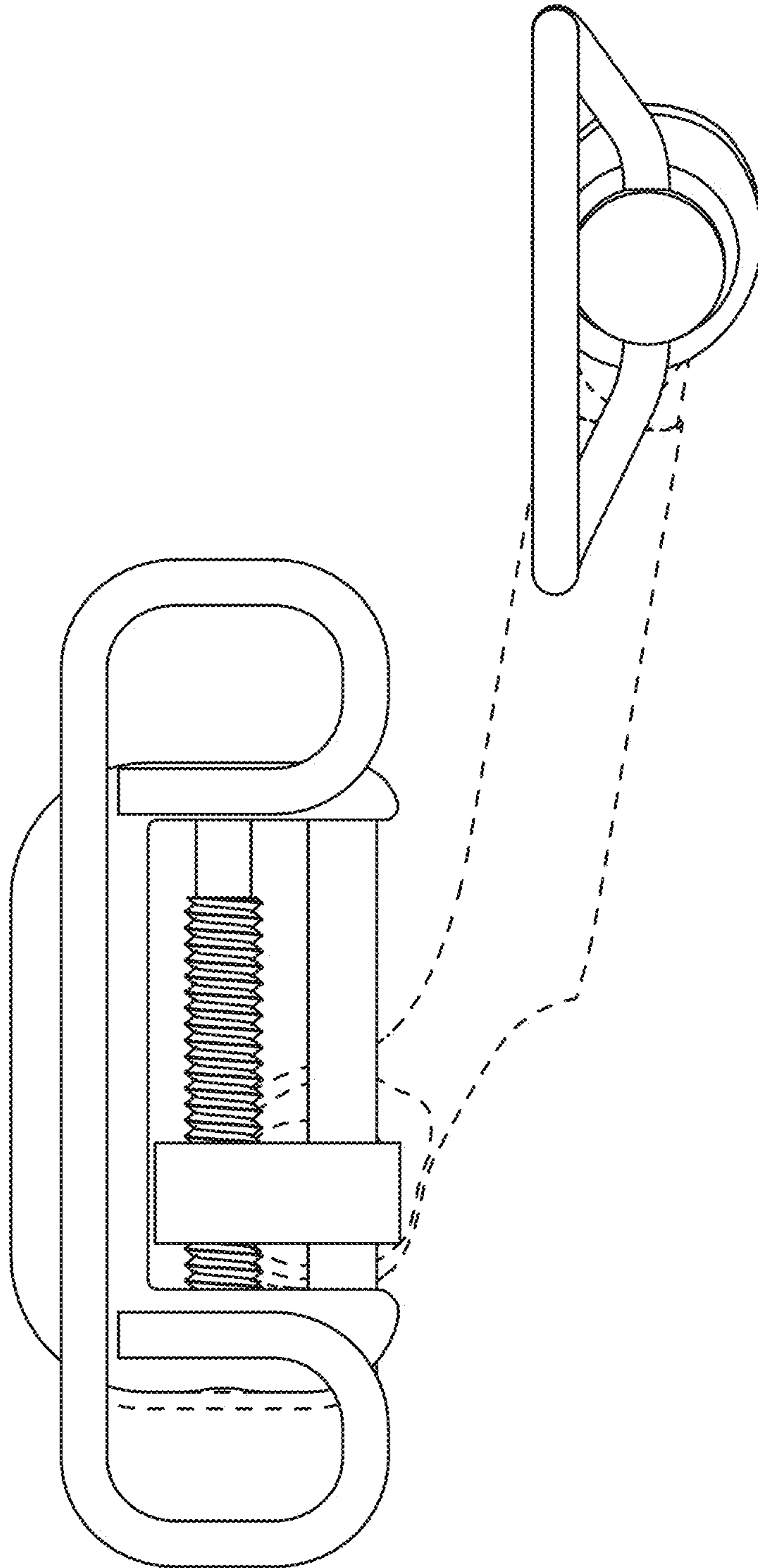


FIG.12

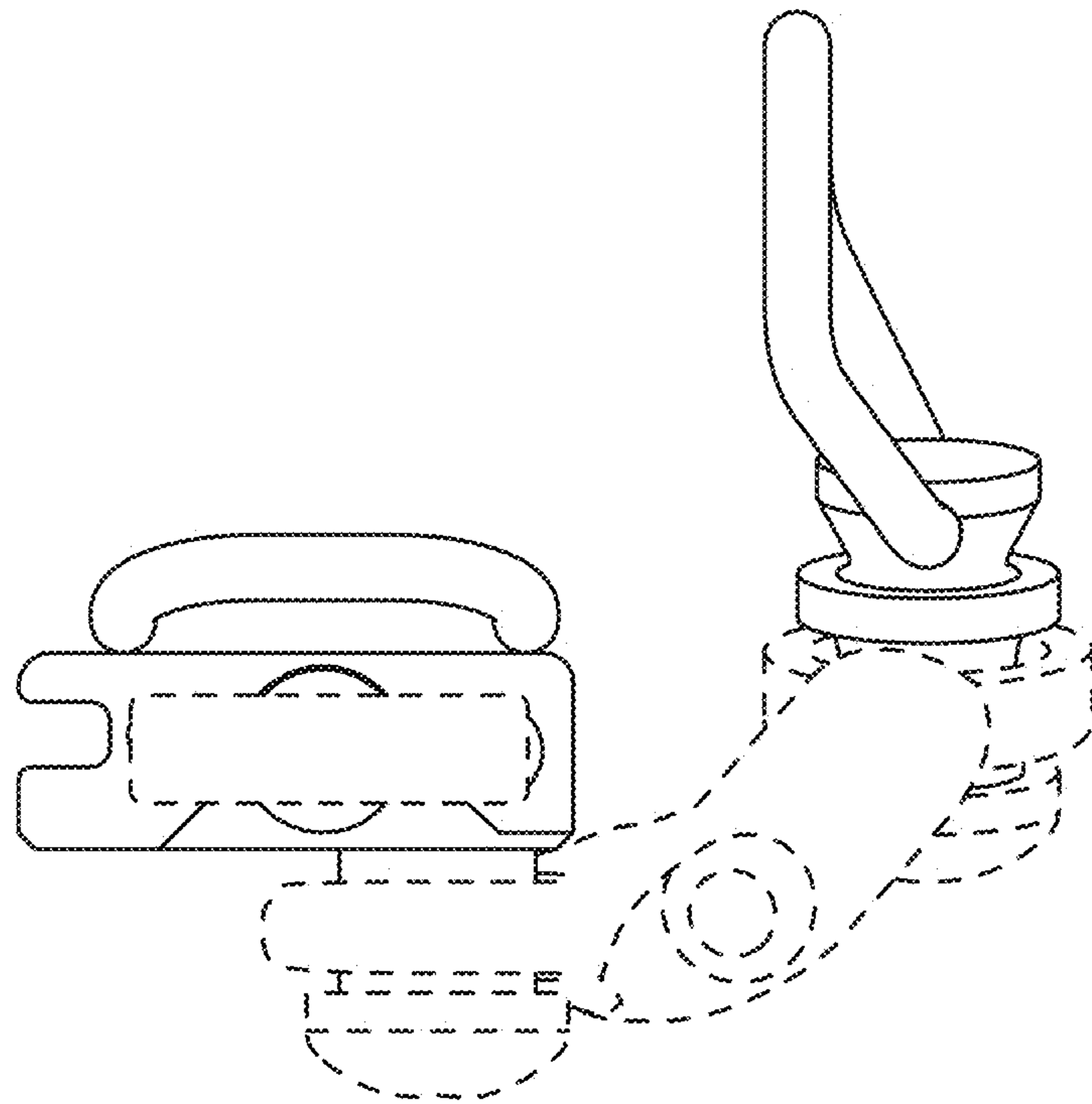


FIG. 13

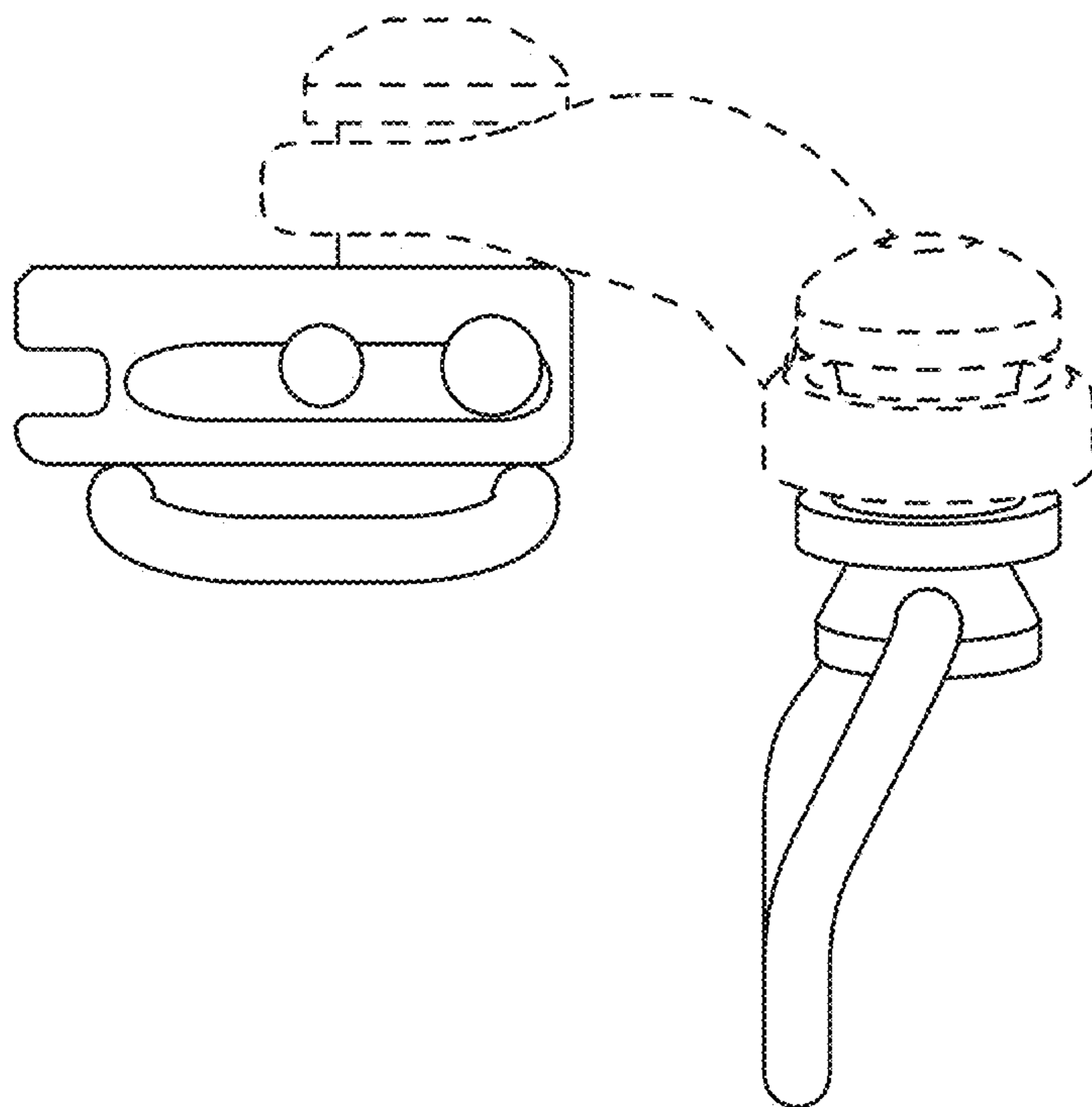


FIG. 14

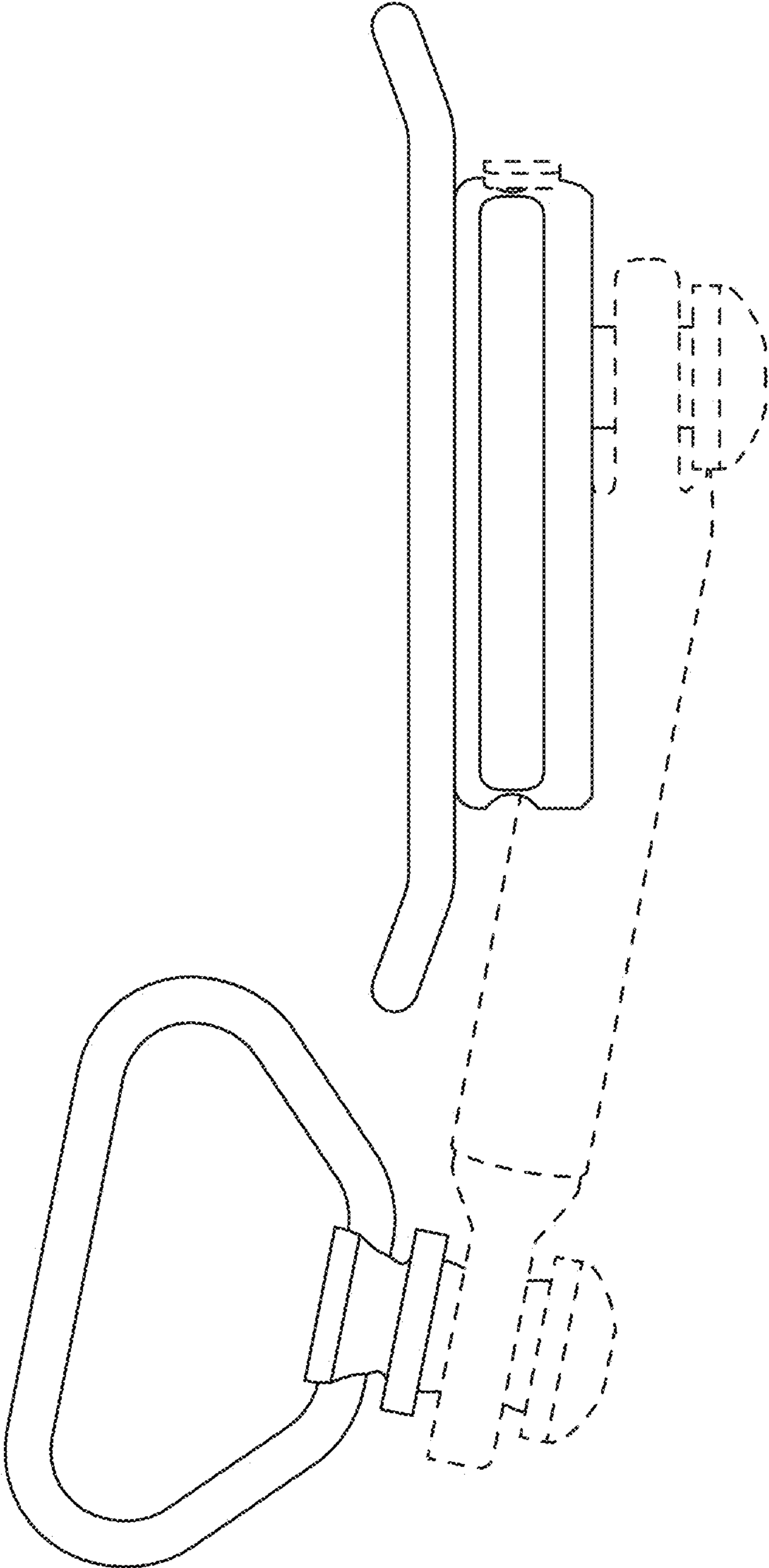


FIG.15

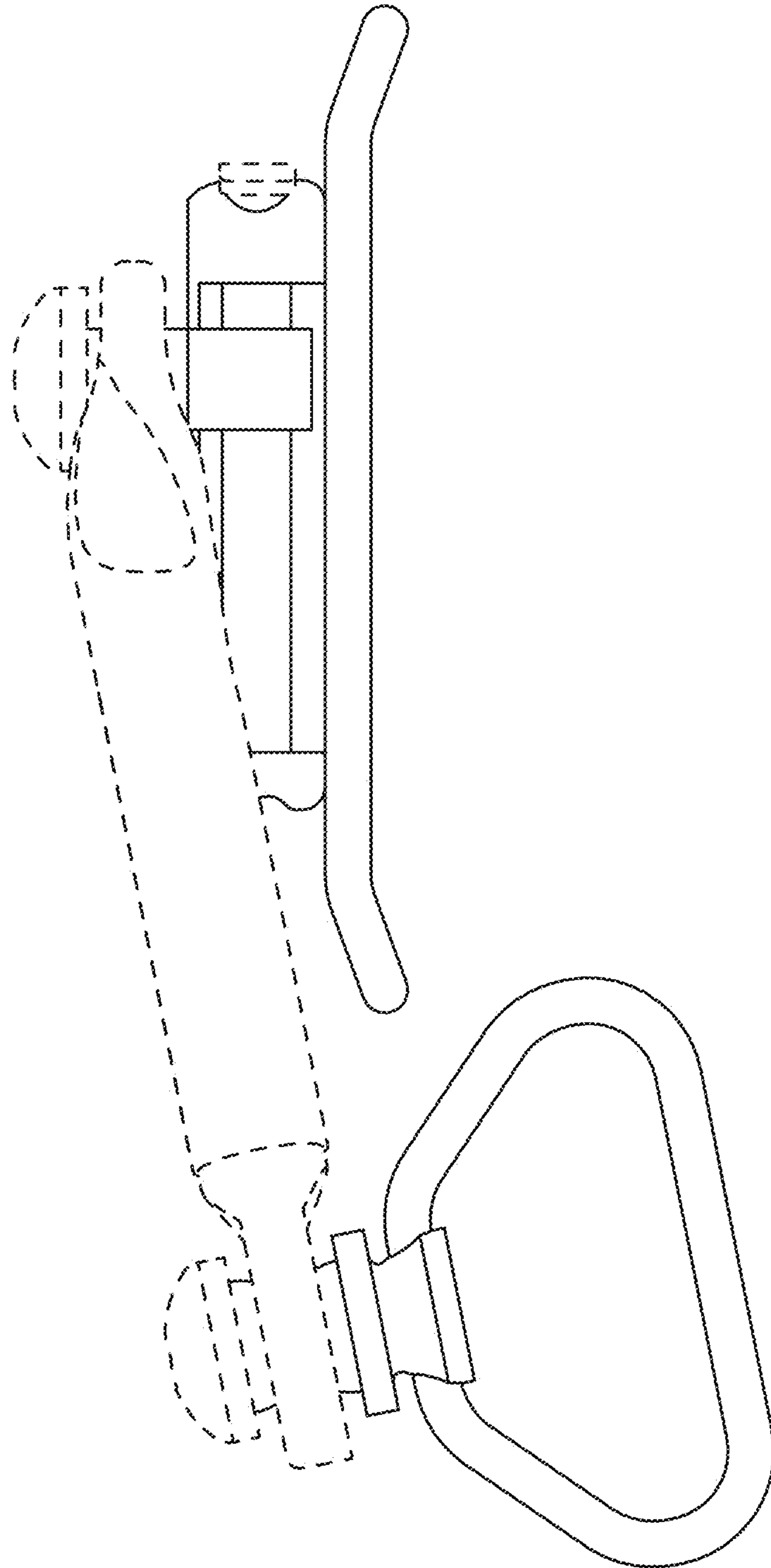


FIG. 16

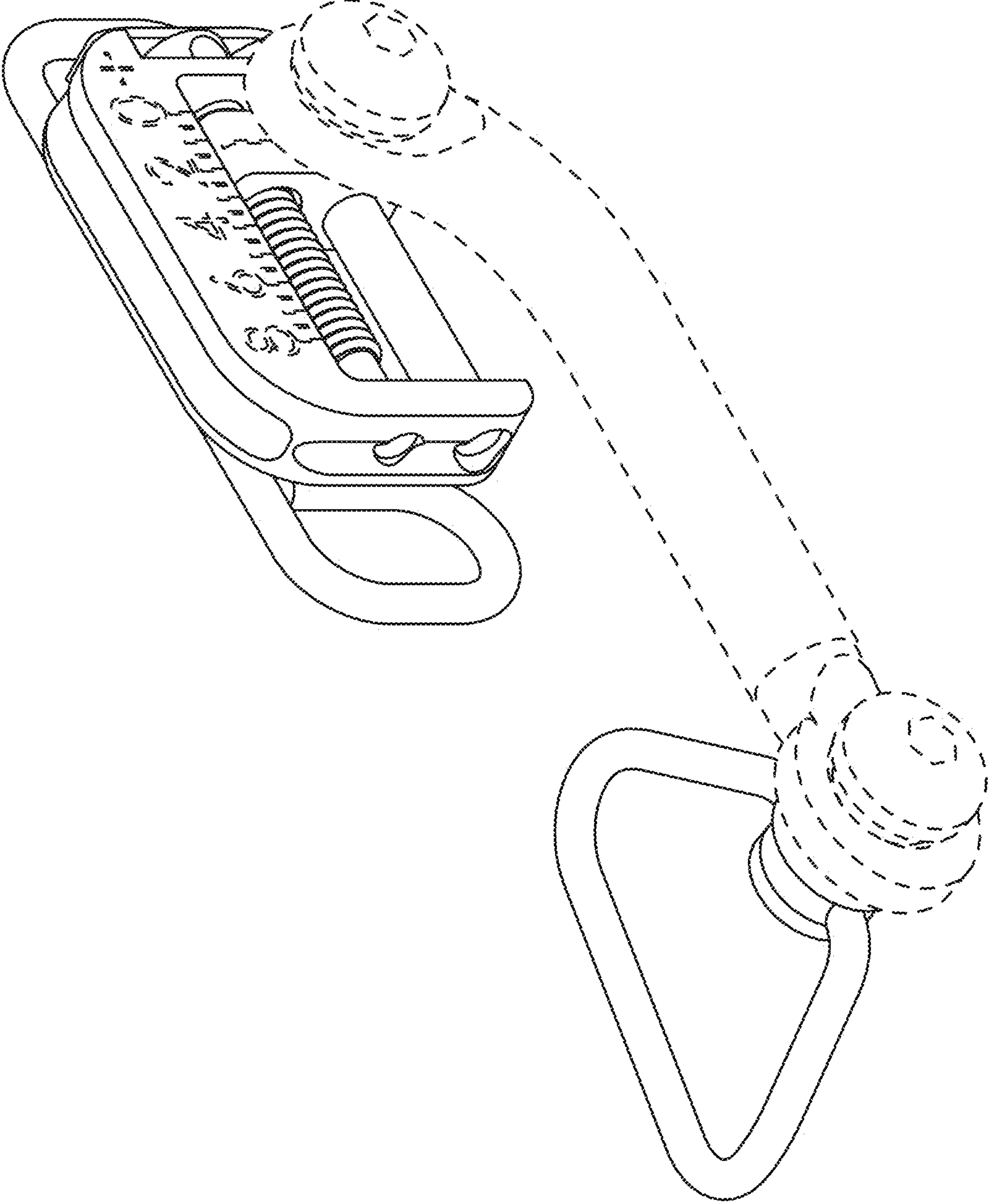


FIG.17

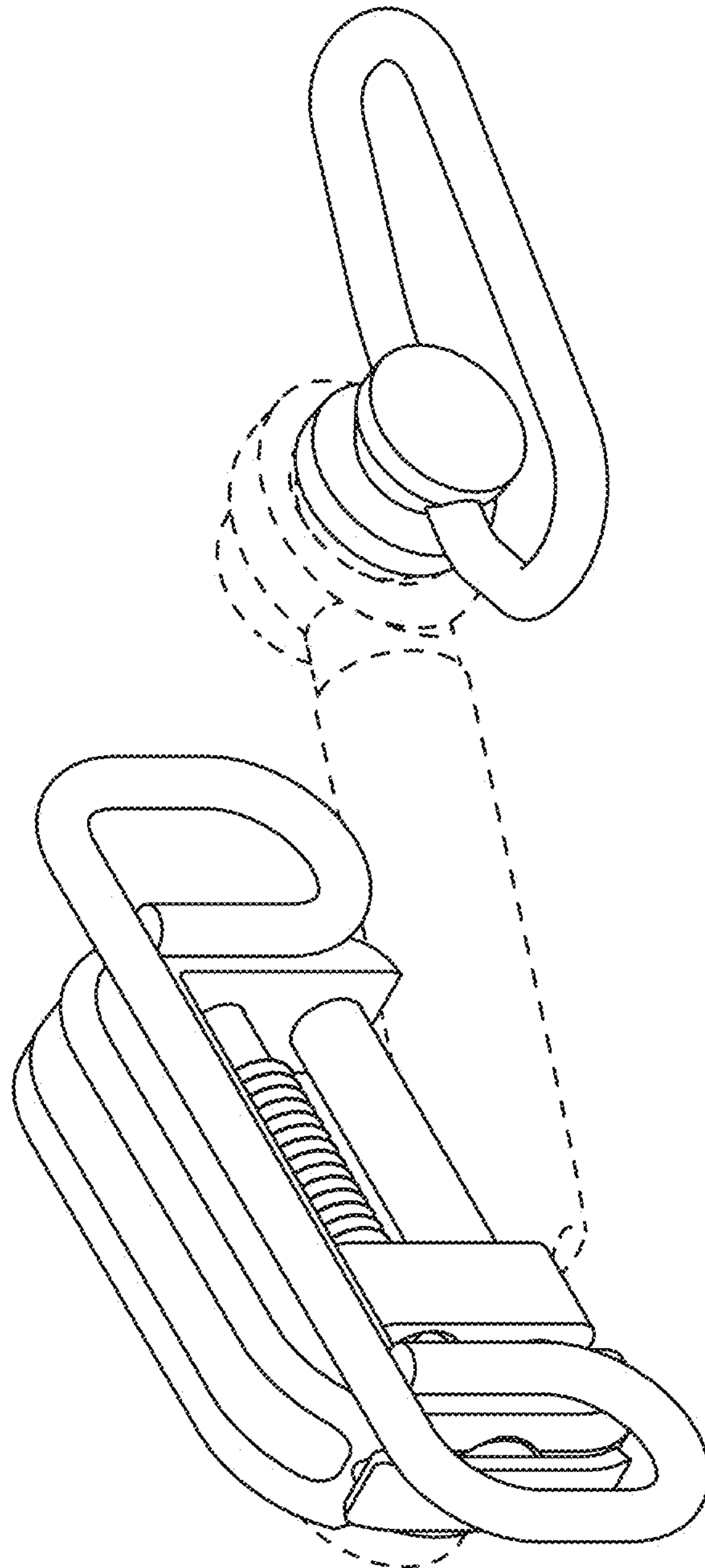


FIG. 18

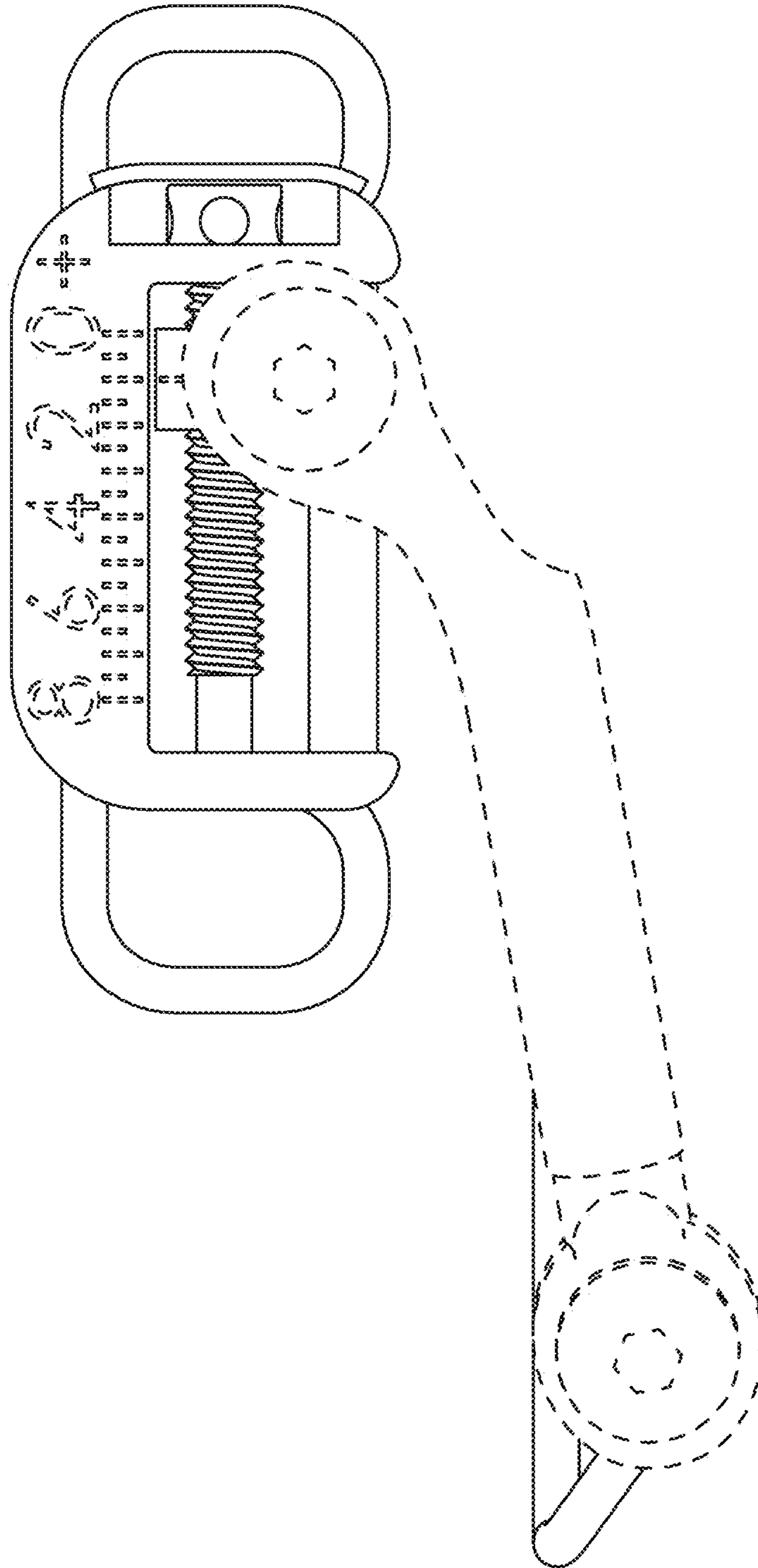


FIG.19

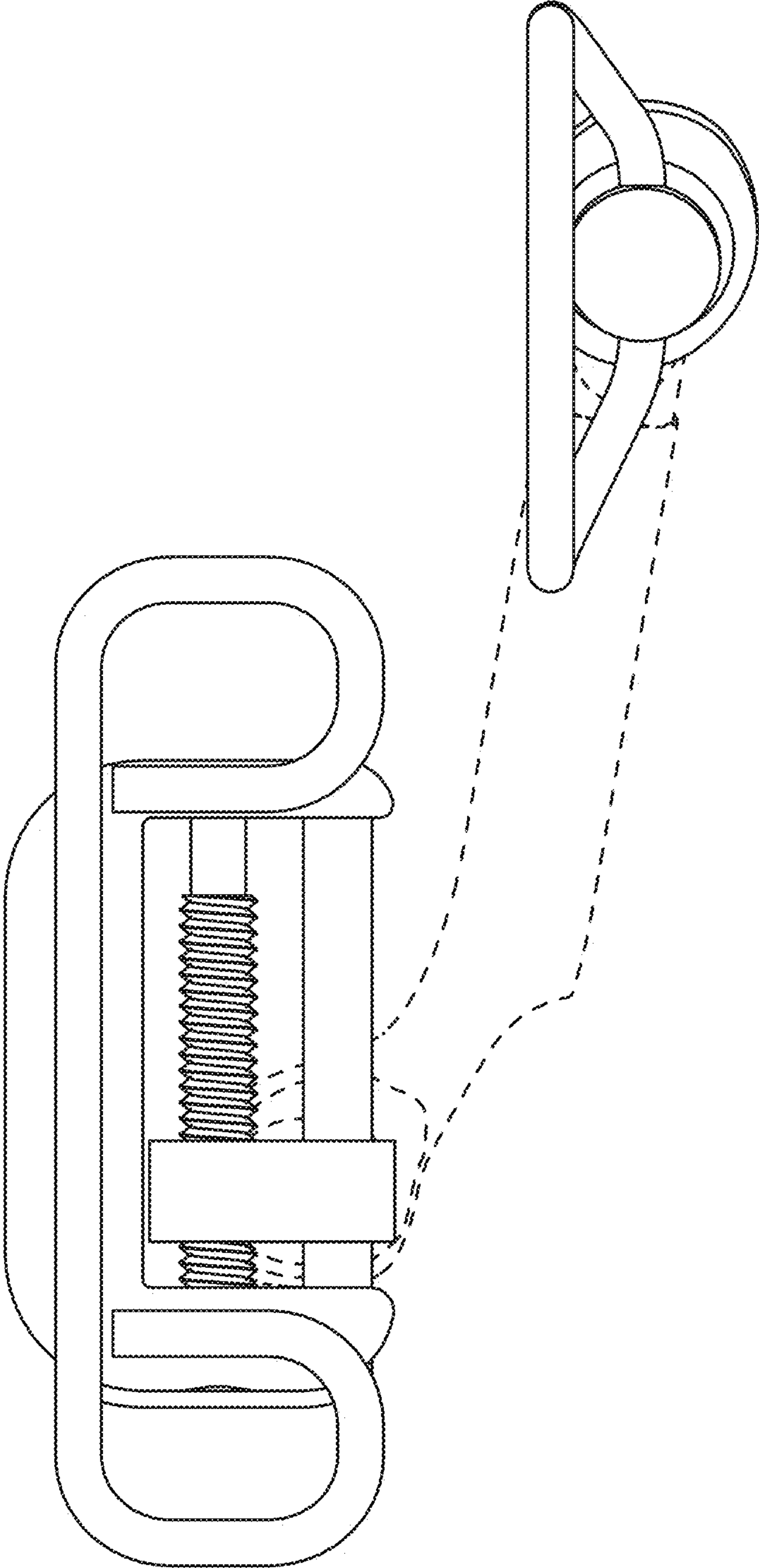


FIG.20

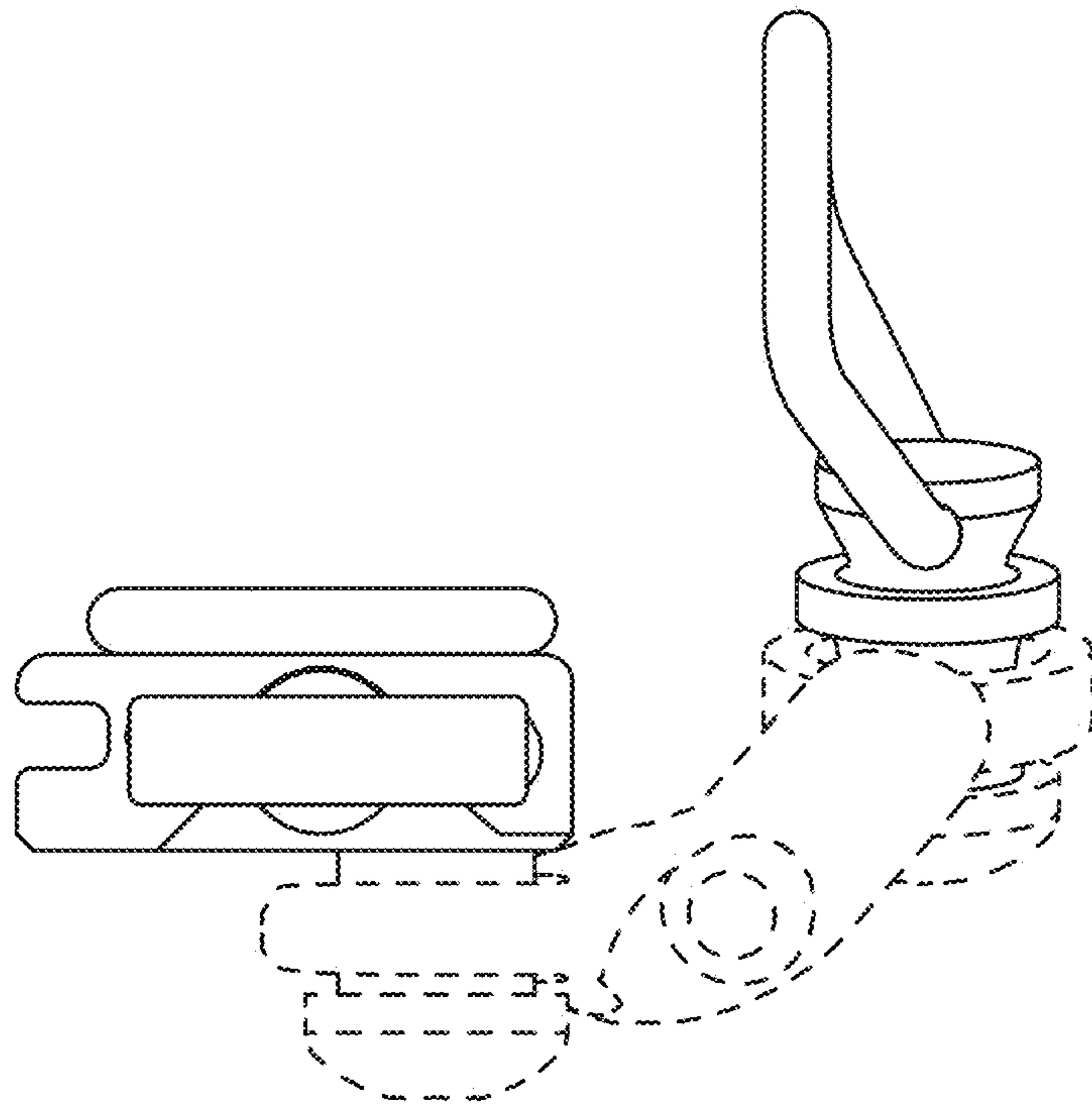


FIG.21

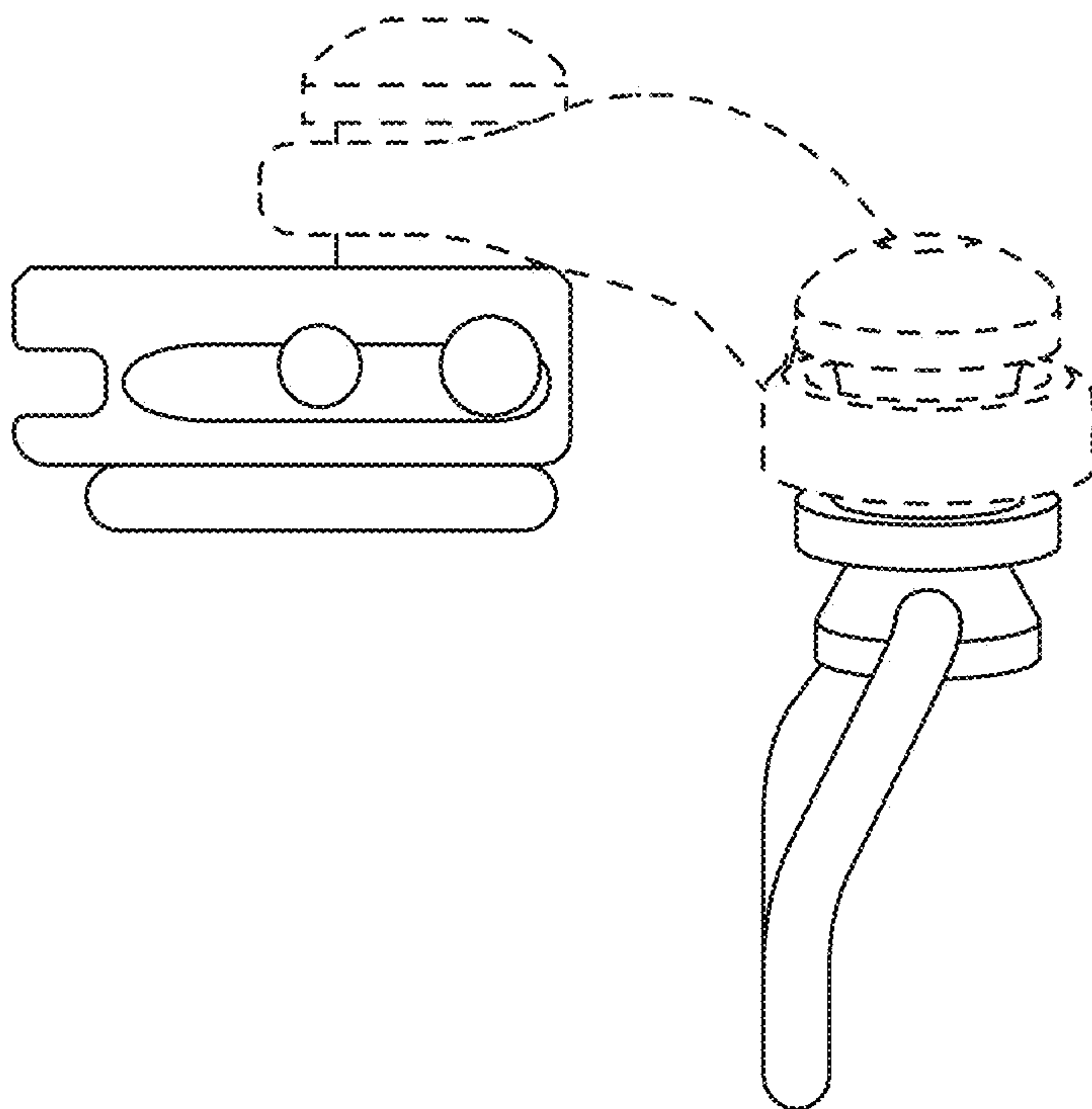


FIG.22

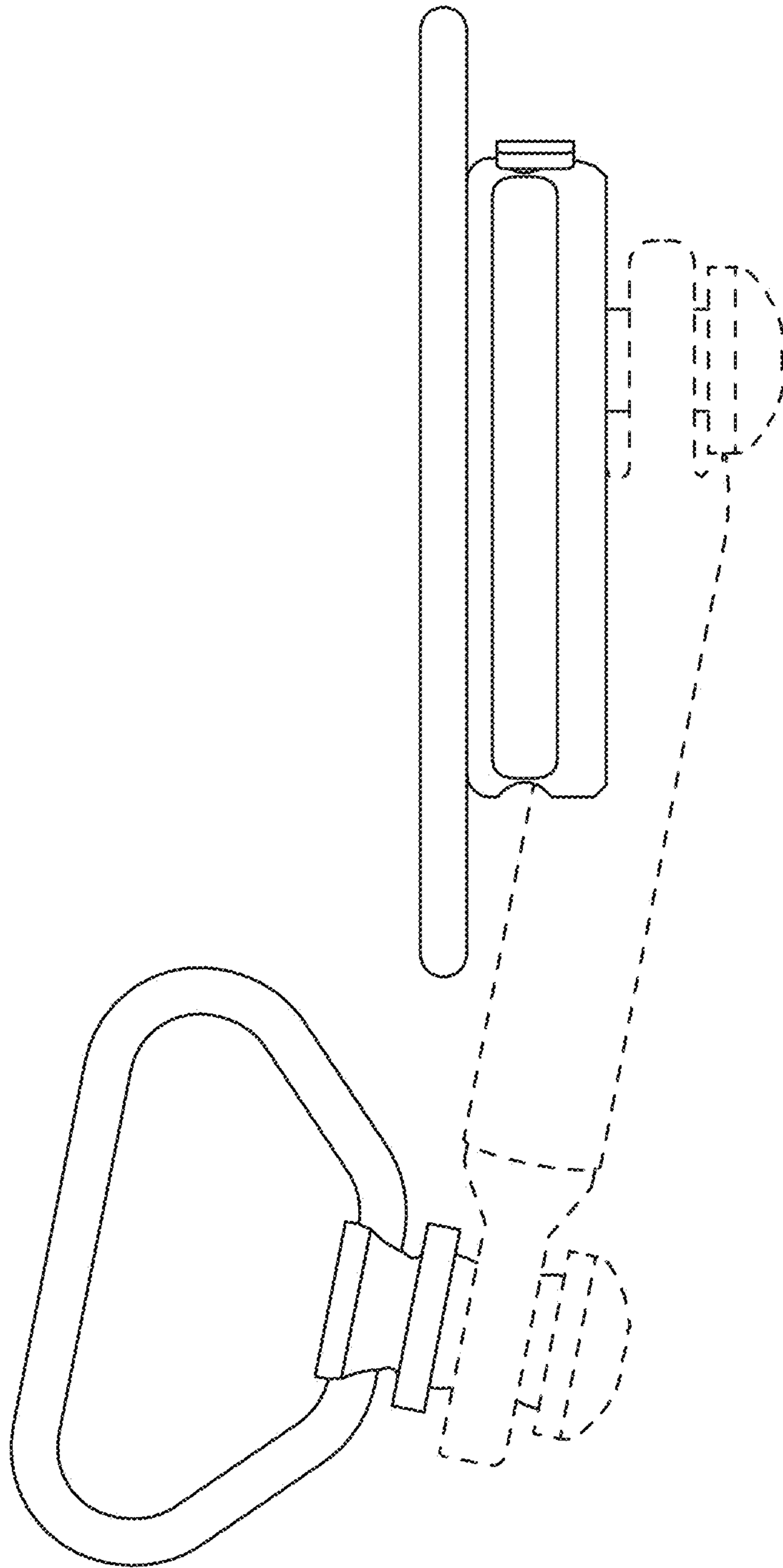


FIG.23

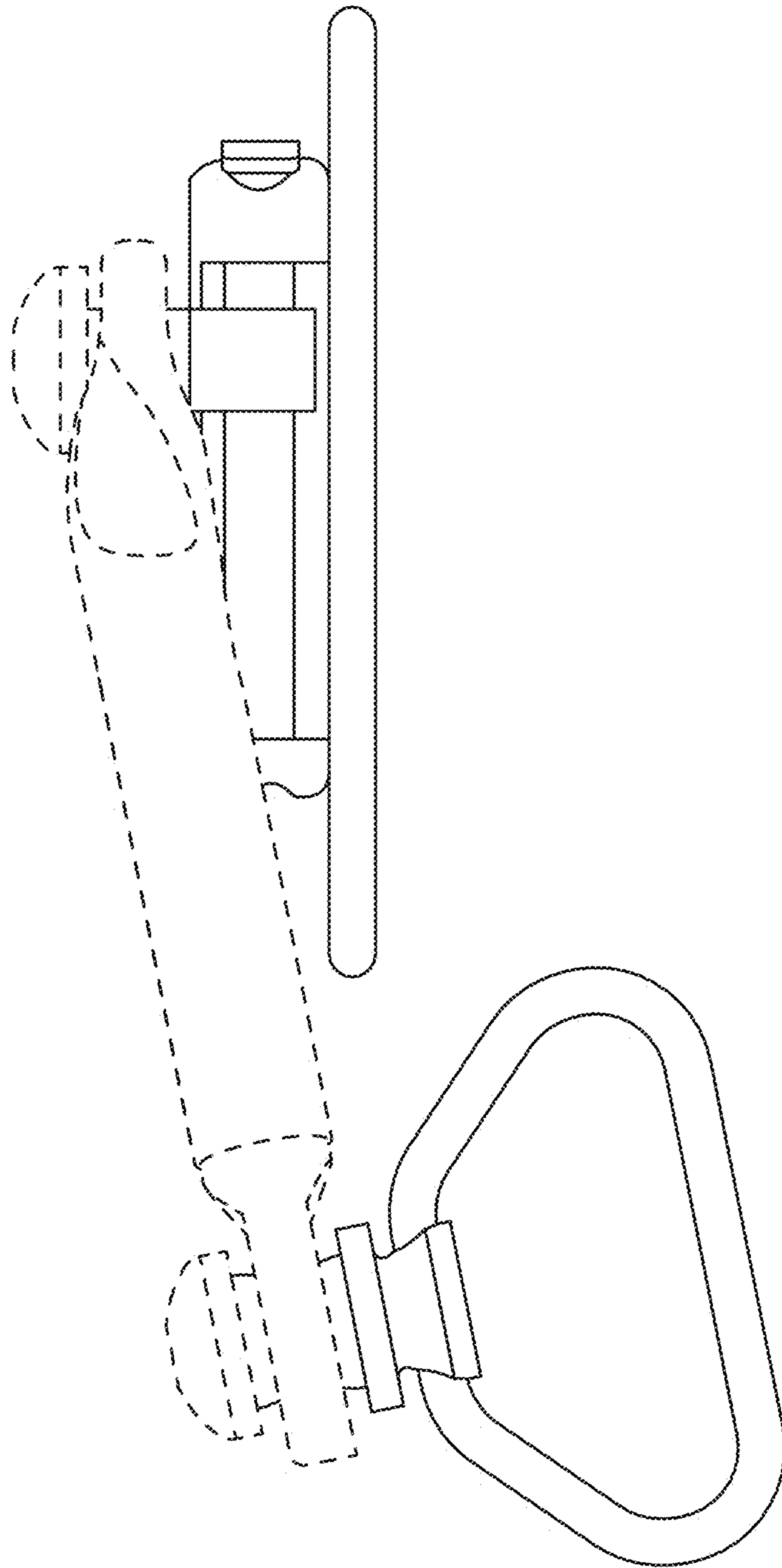


FIG.24

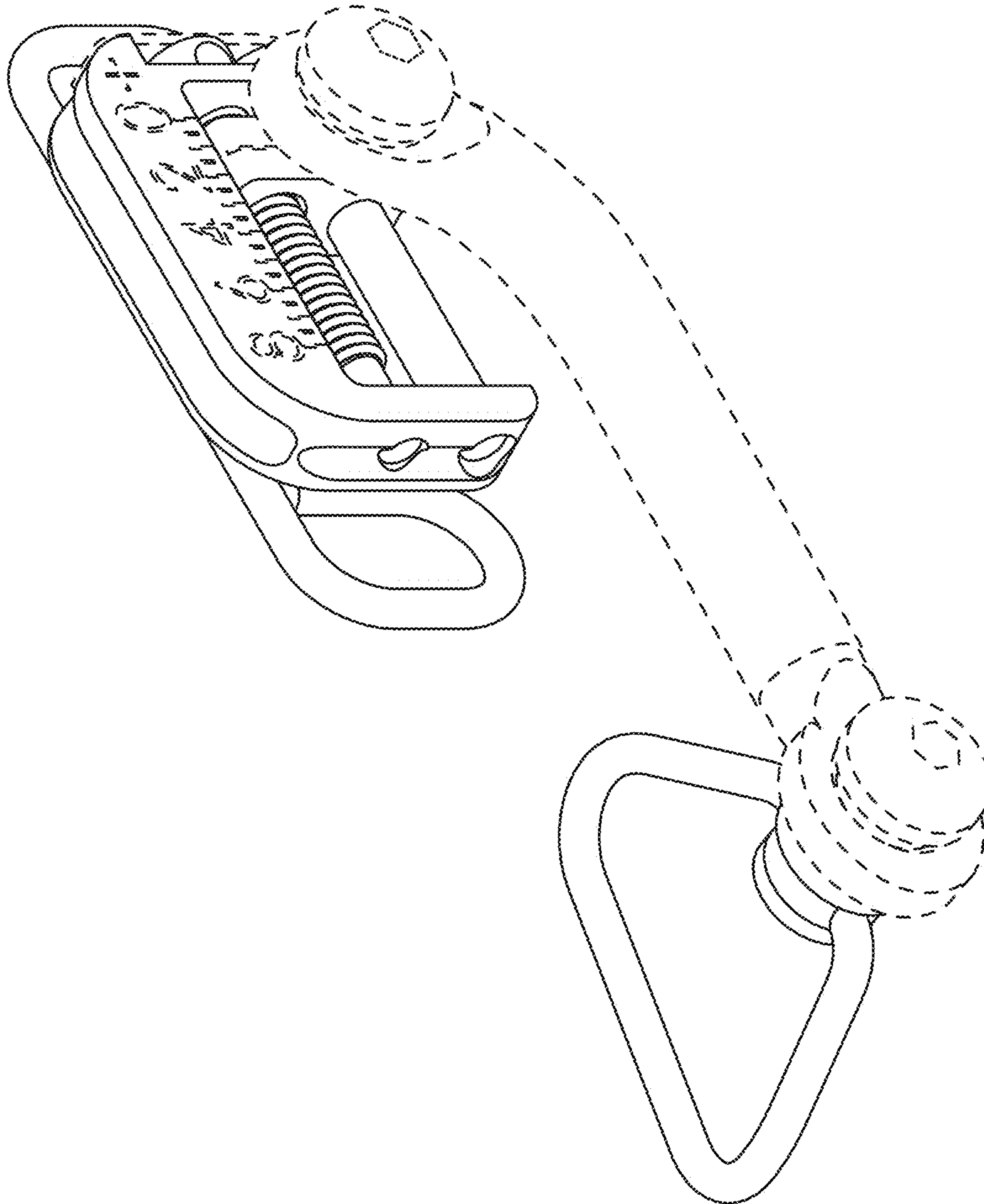


FIG.25

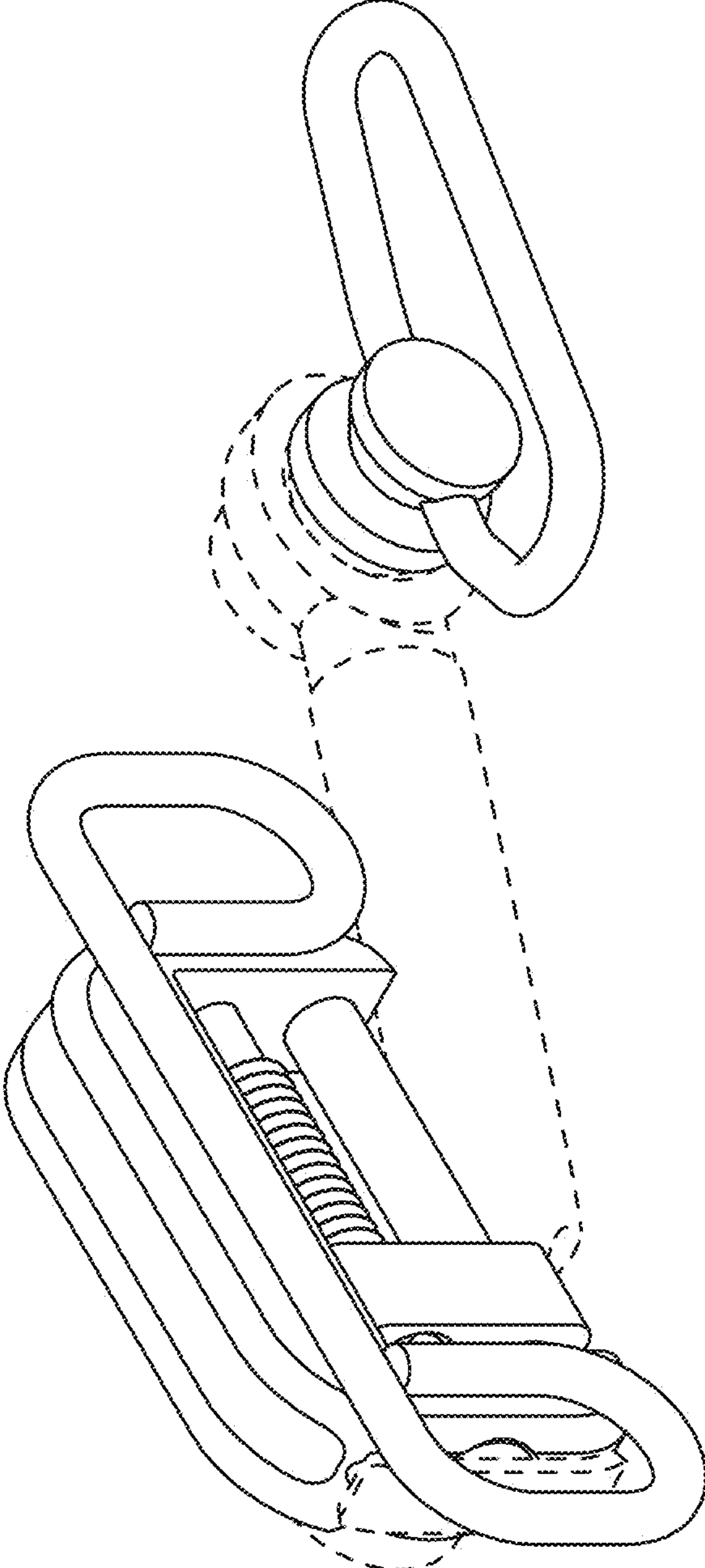


FIG.26

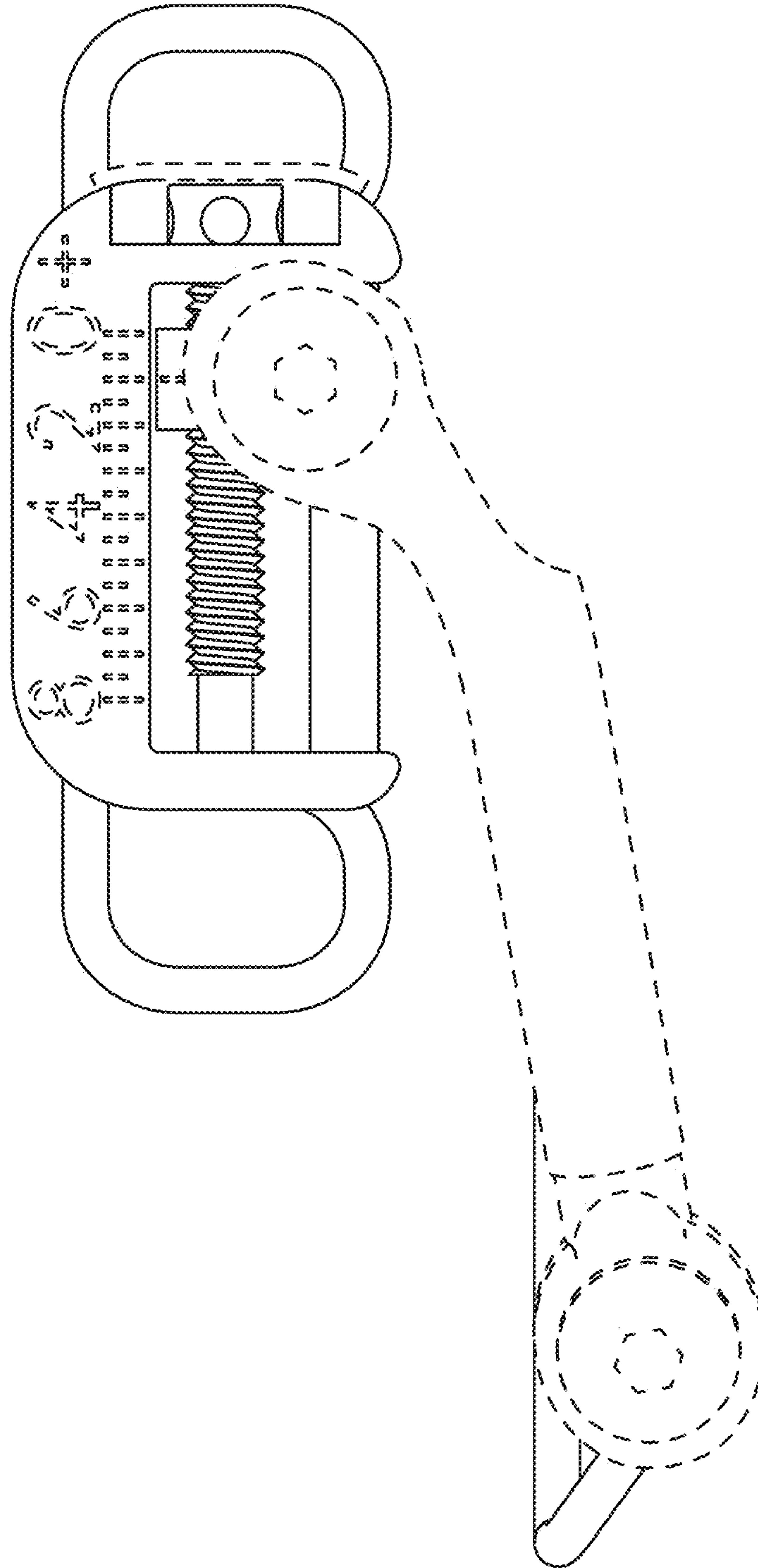


FIG.27

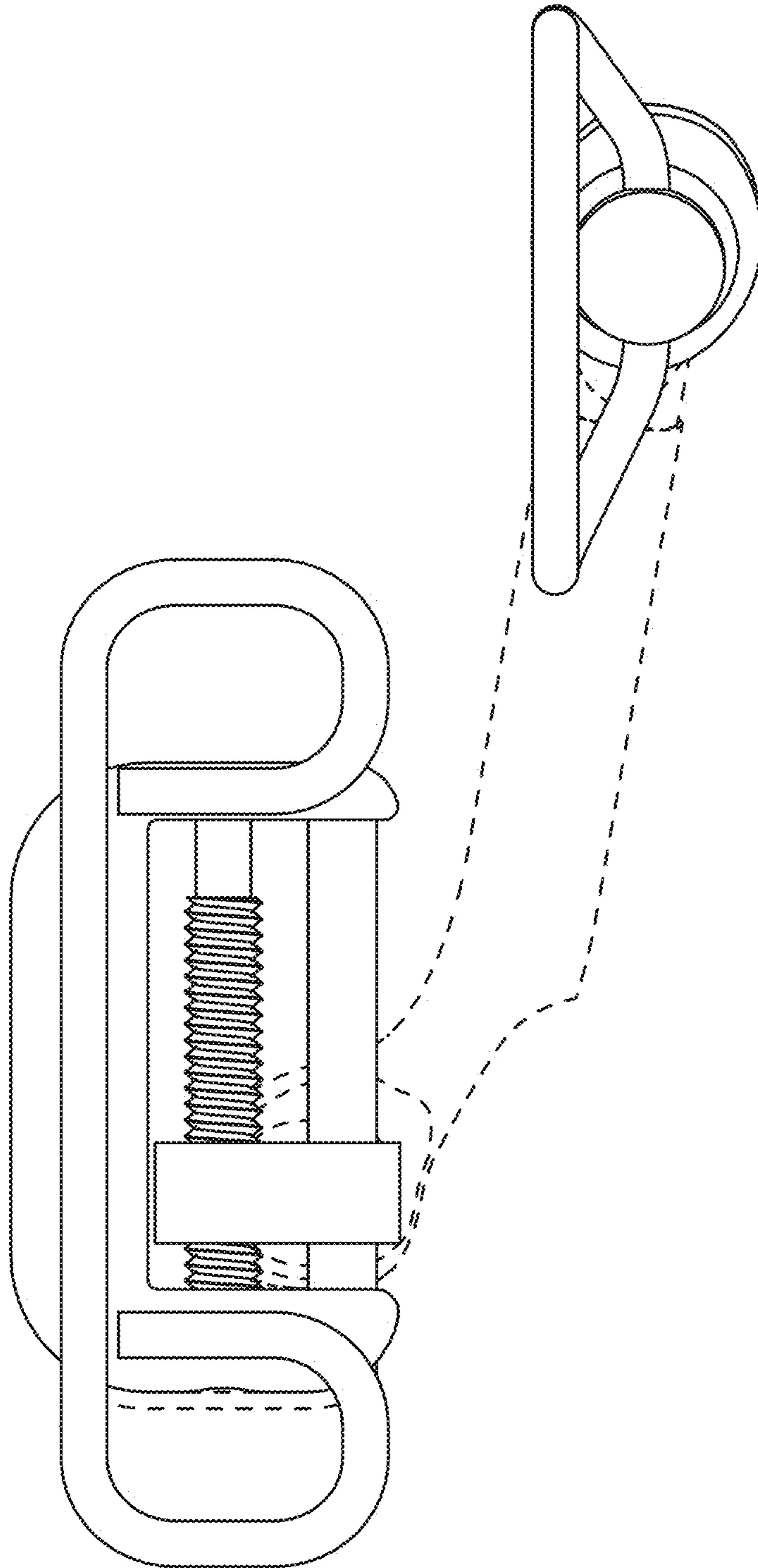


FIG. 28

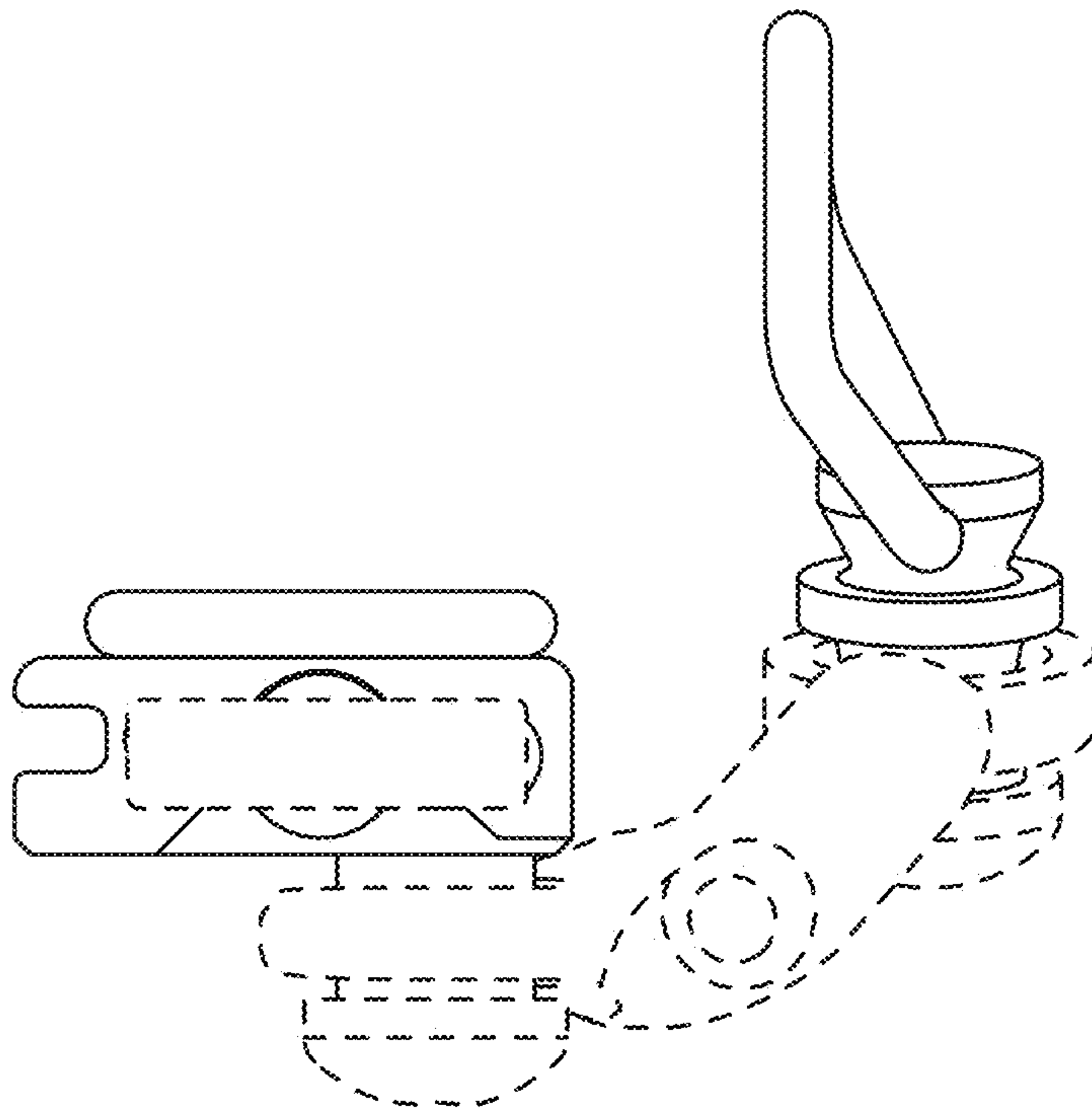


FIG. 29

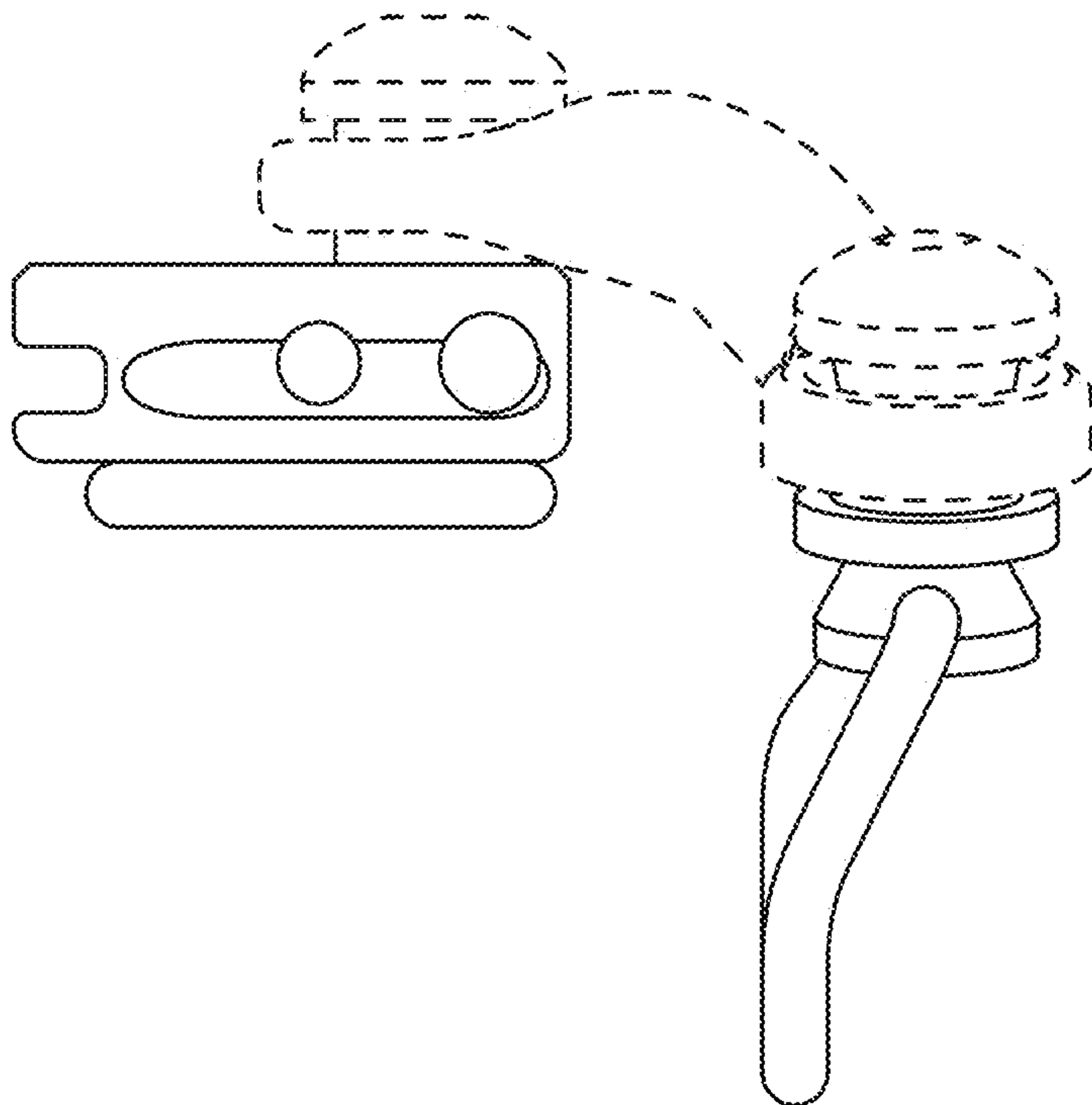


FIG.30

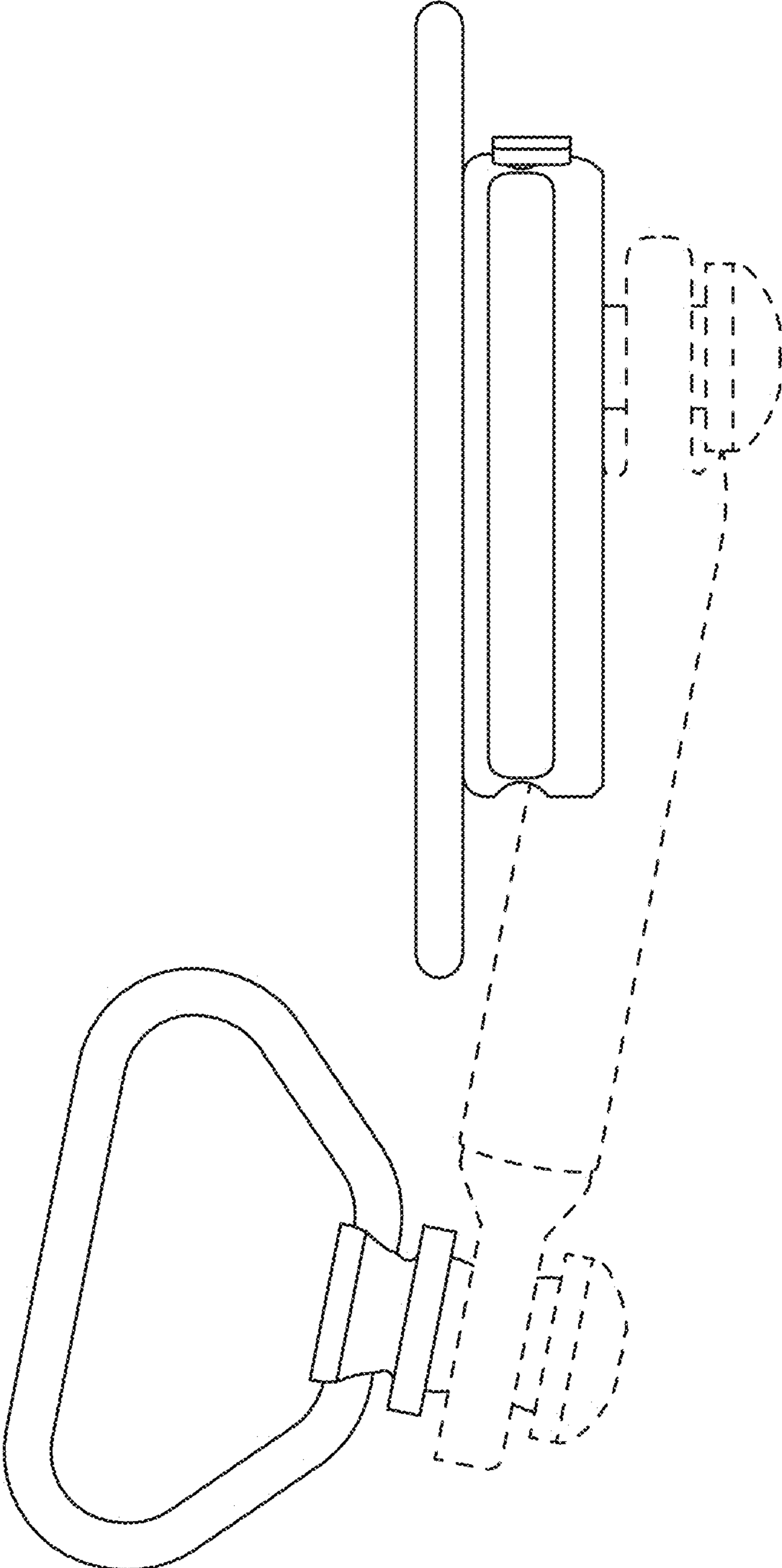


FIG.31

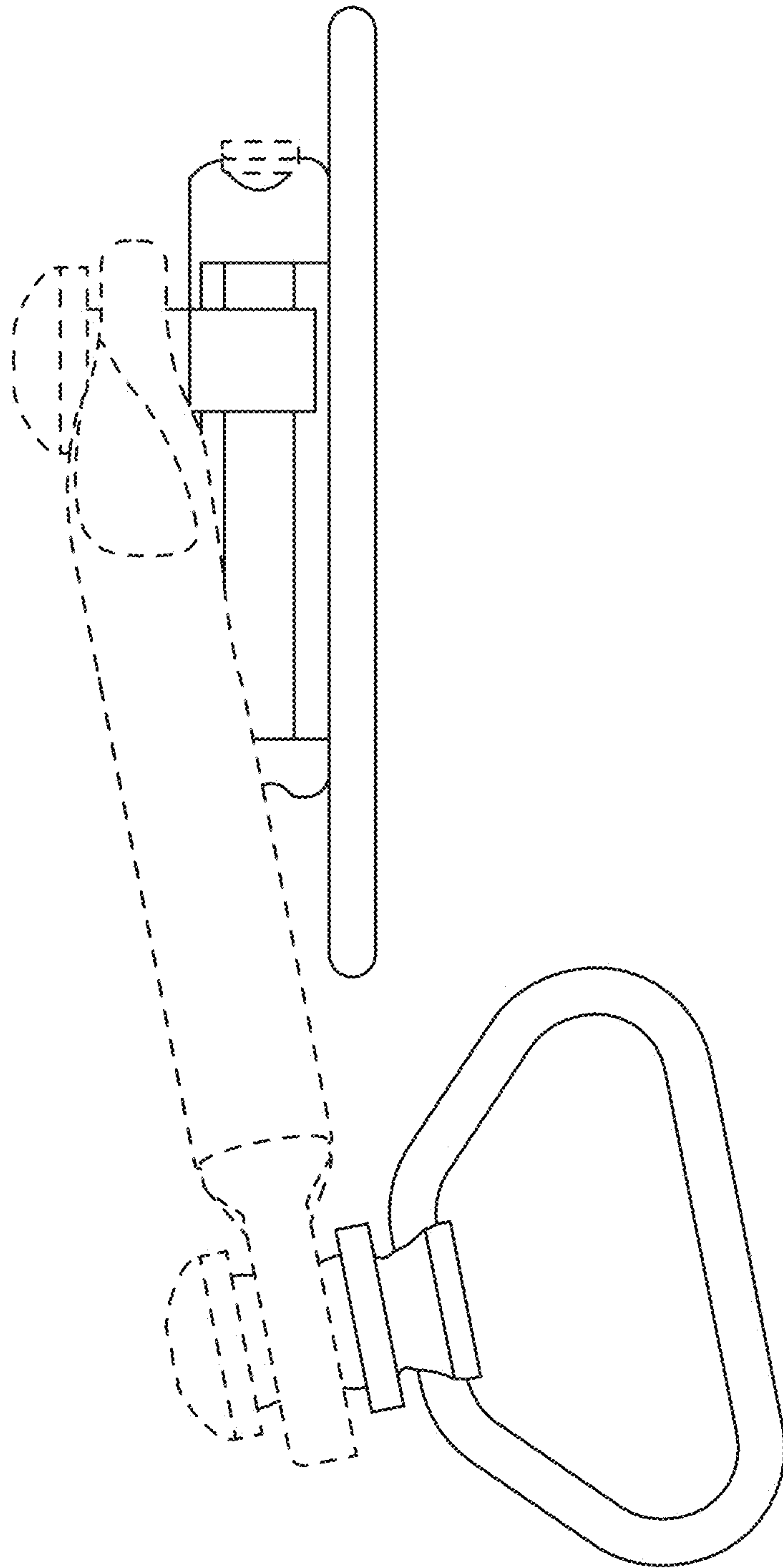


FIG.32

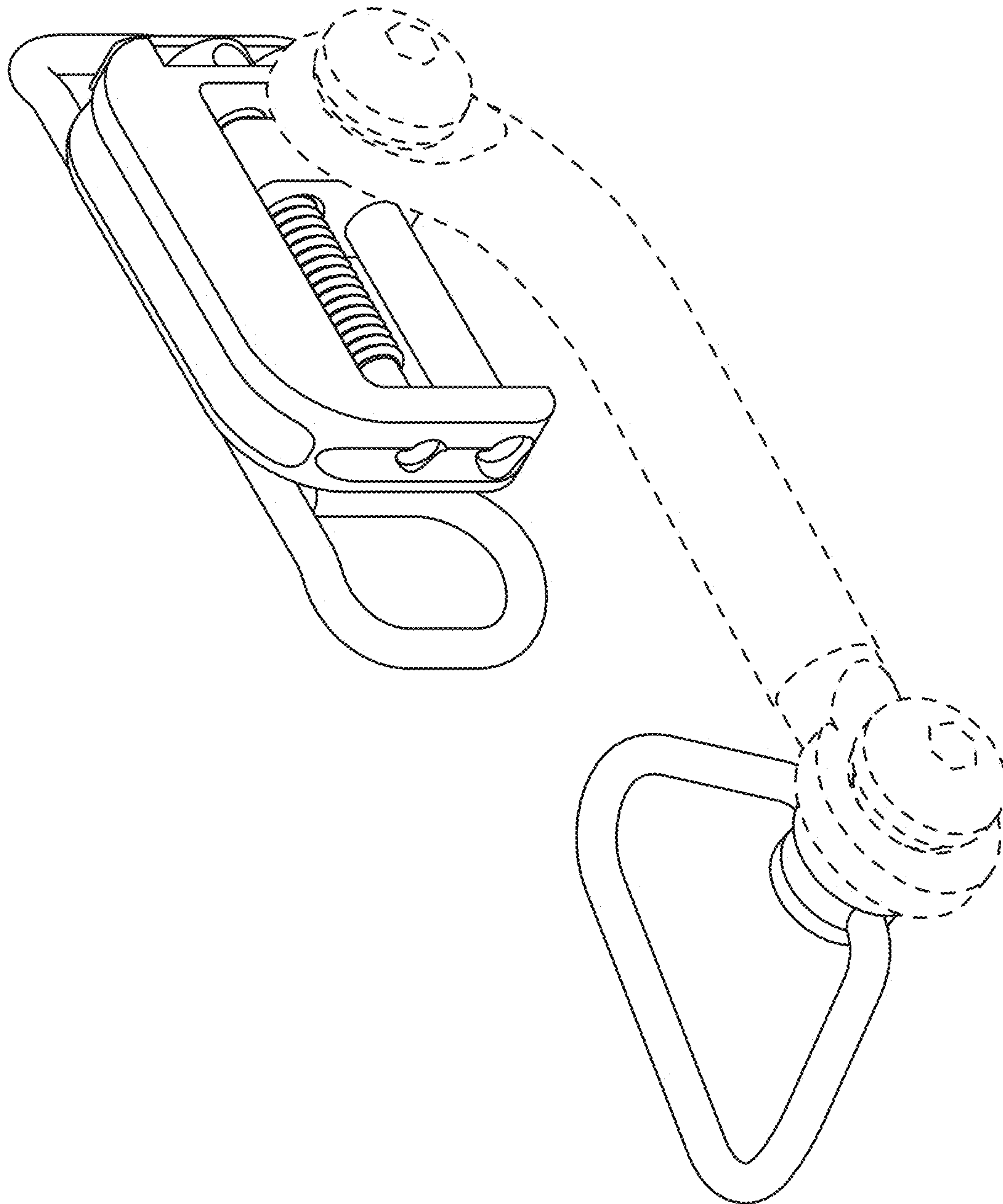


FIG.33

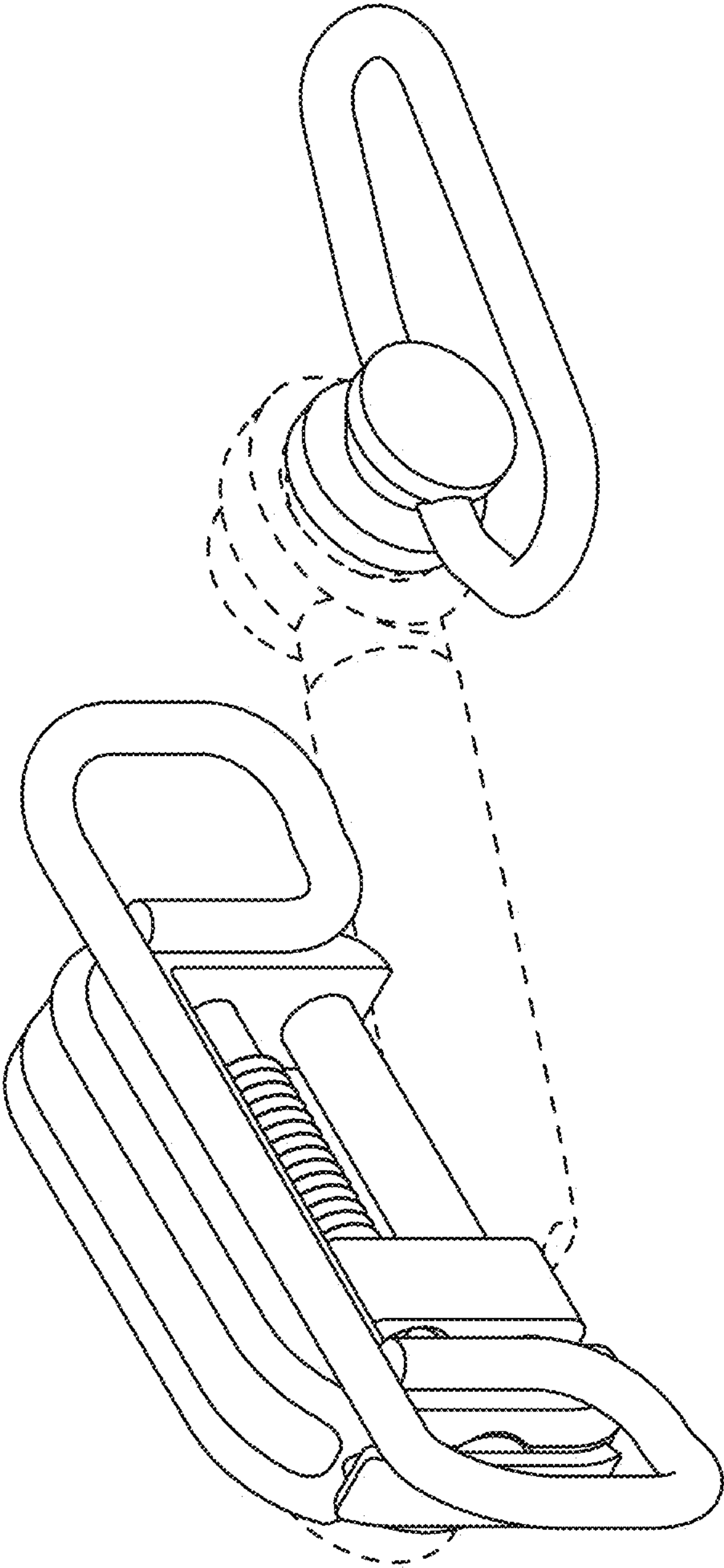


FIG.34

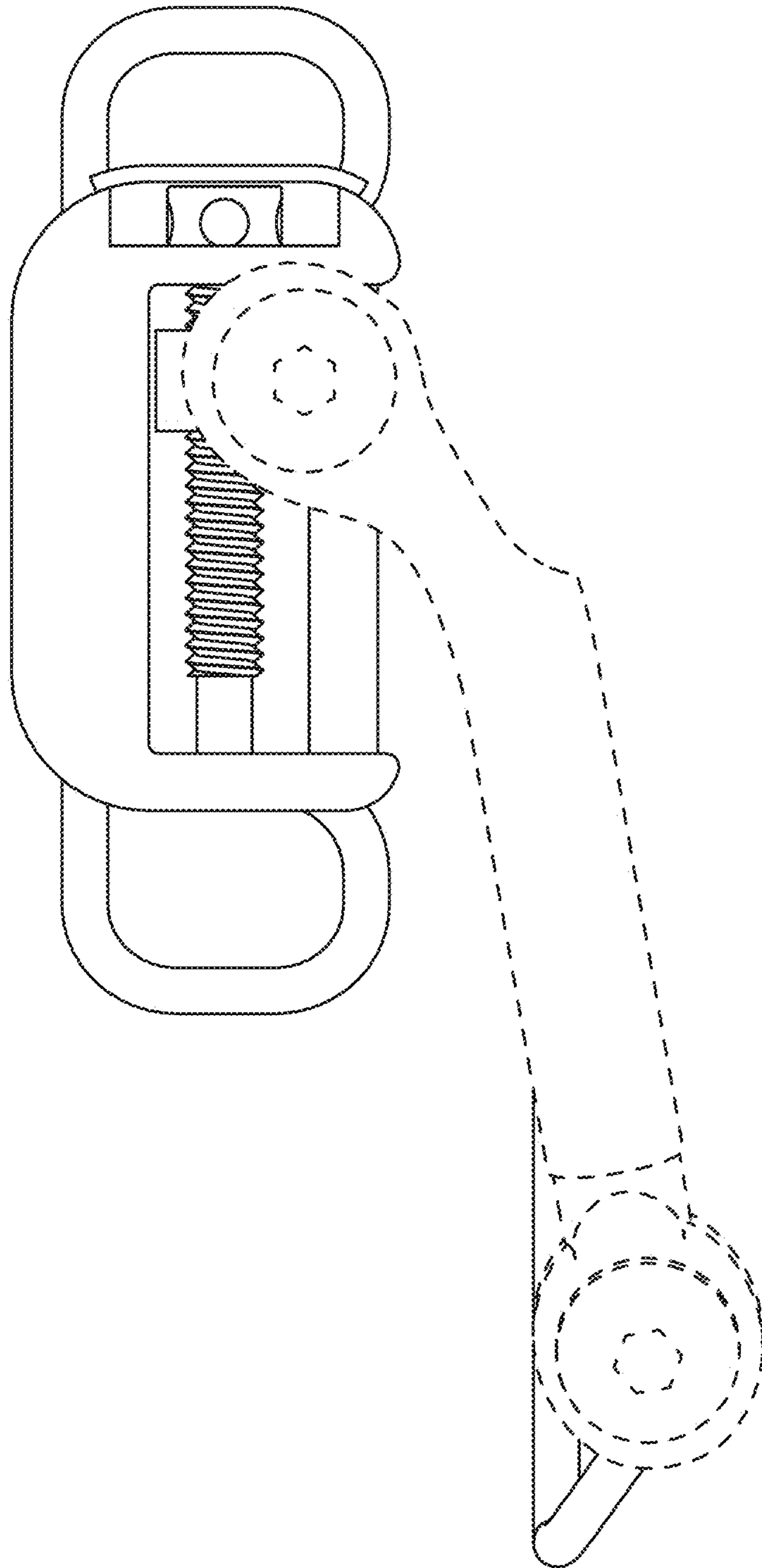


FIG.35

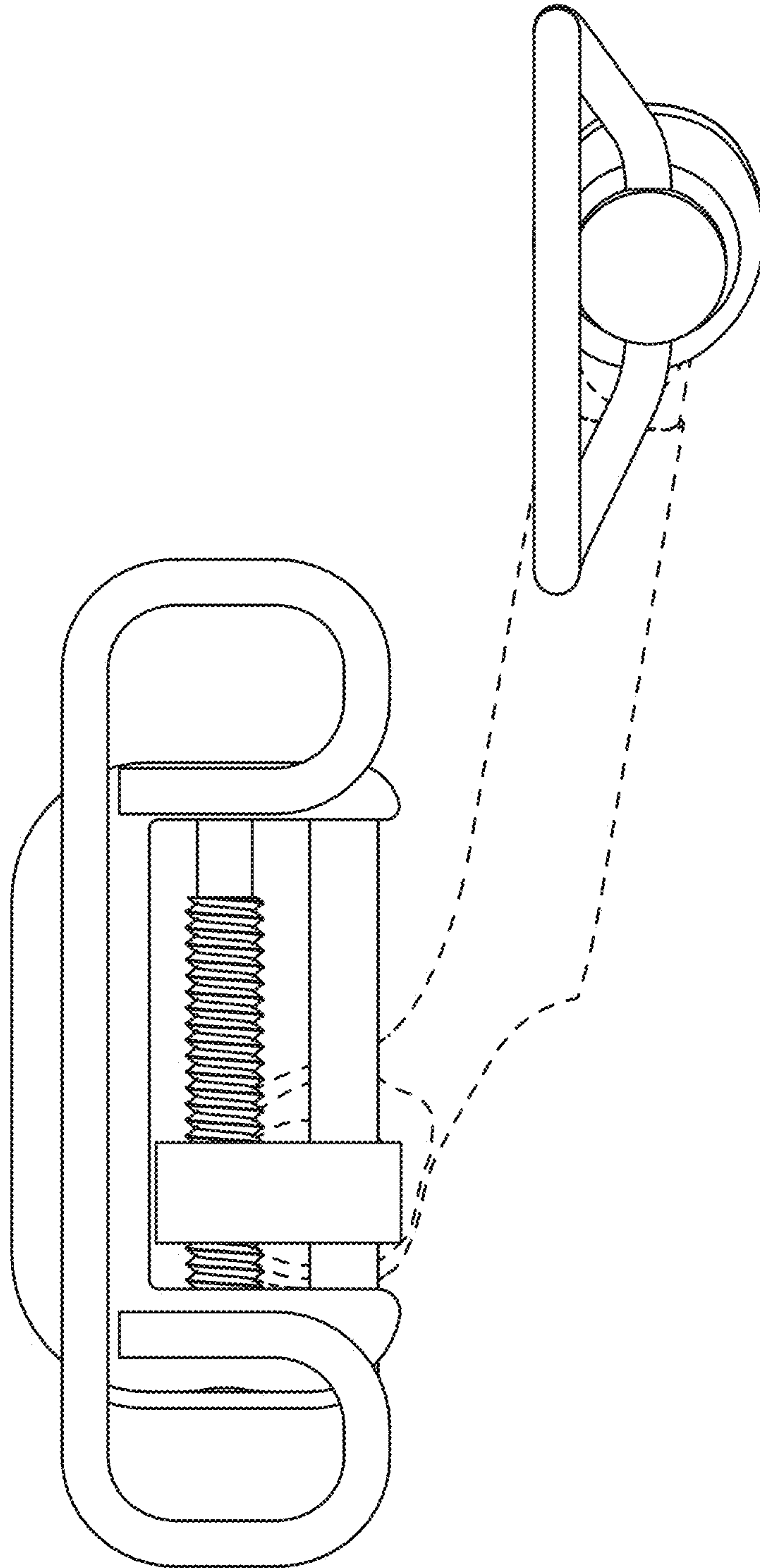


FIG.36

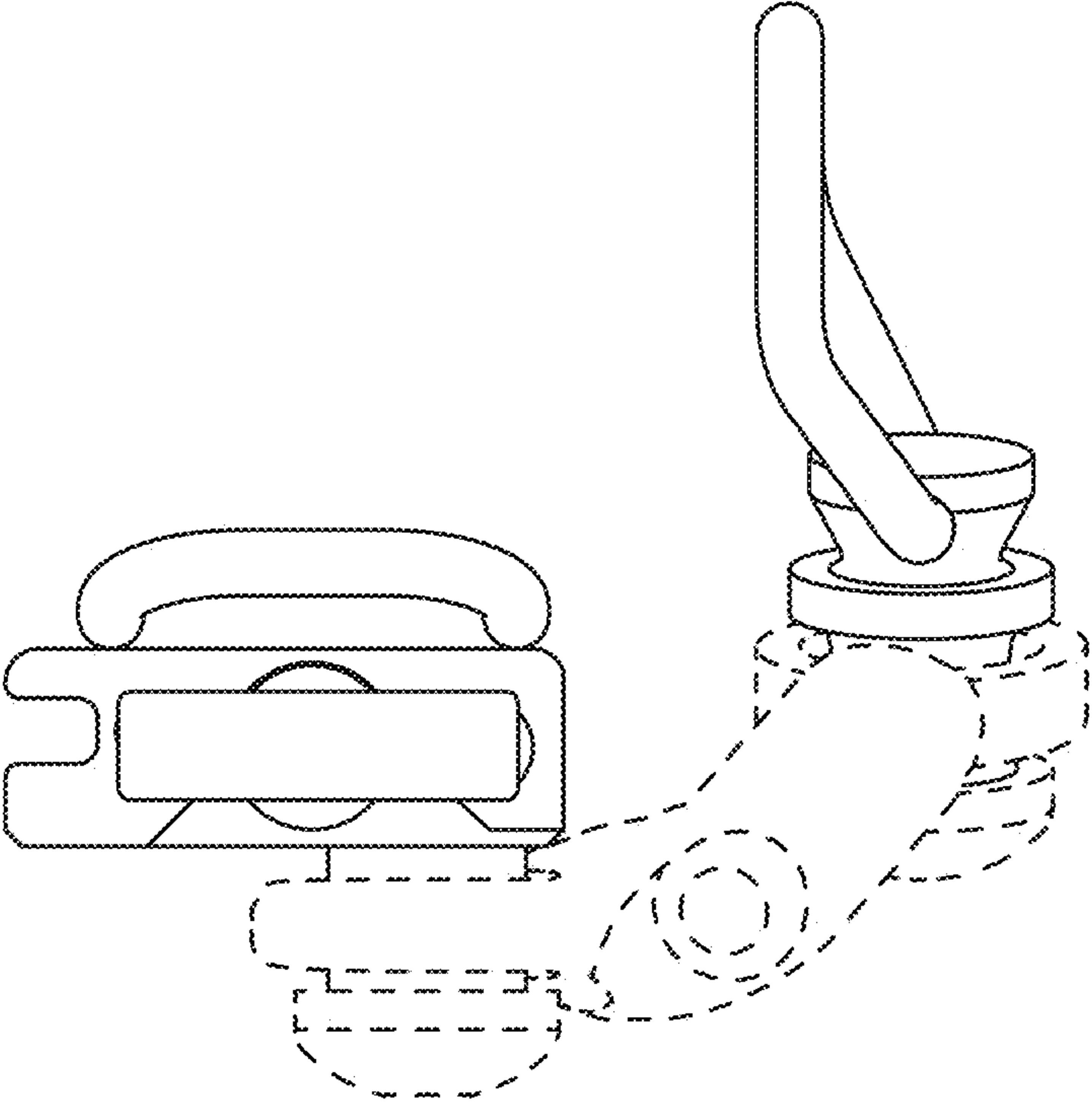


FIG.37

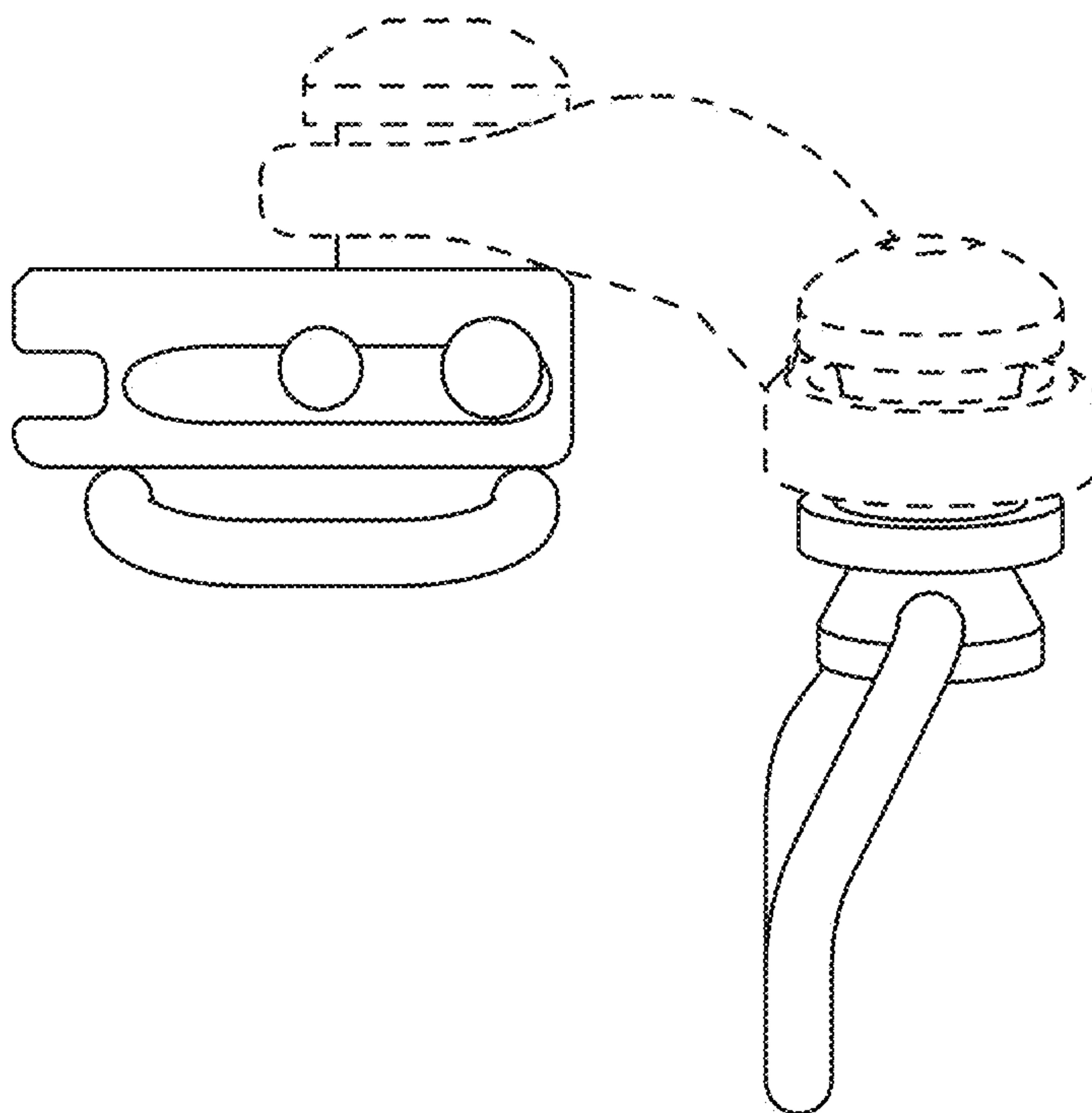


FIG.38

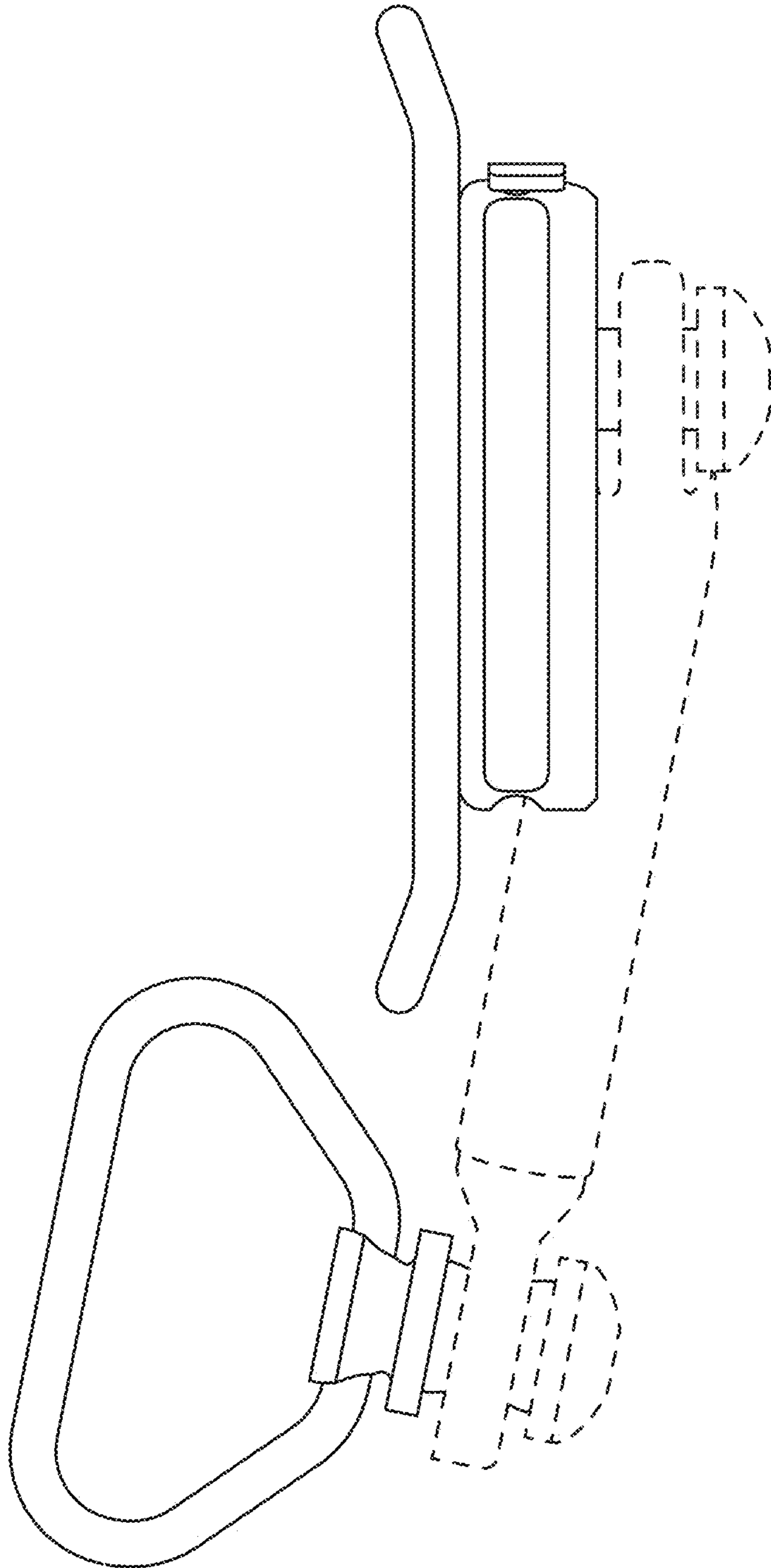


FIG.39

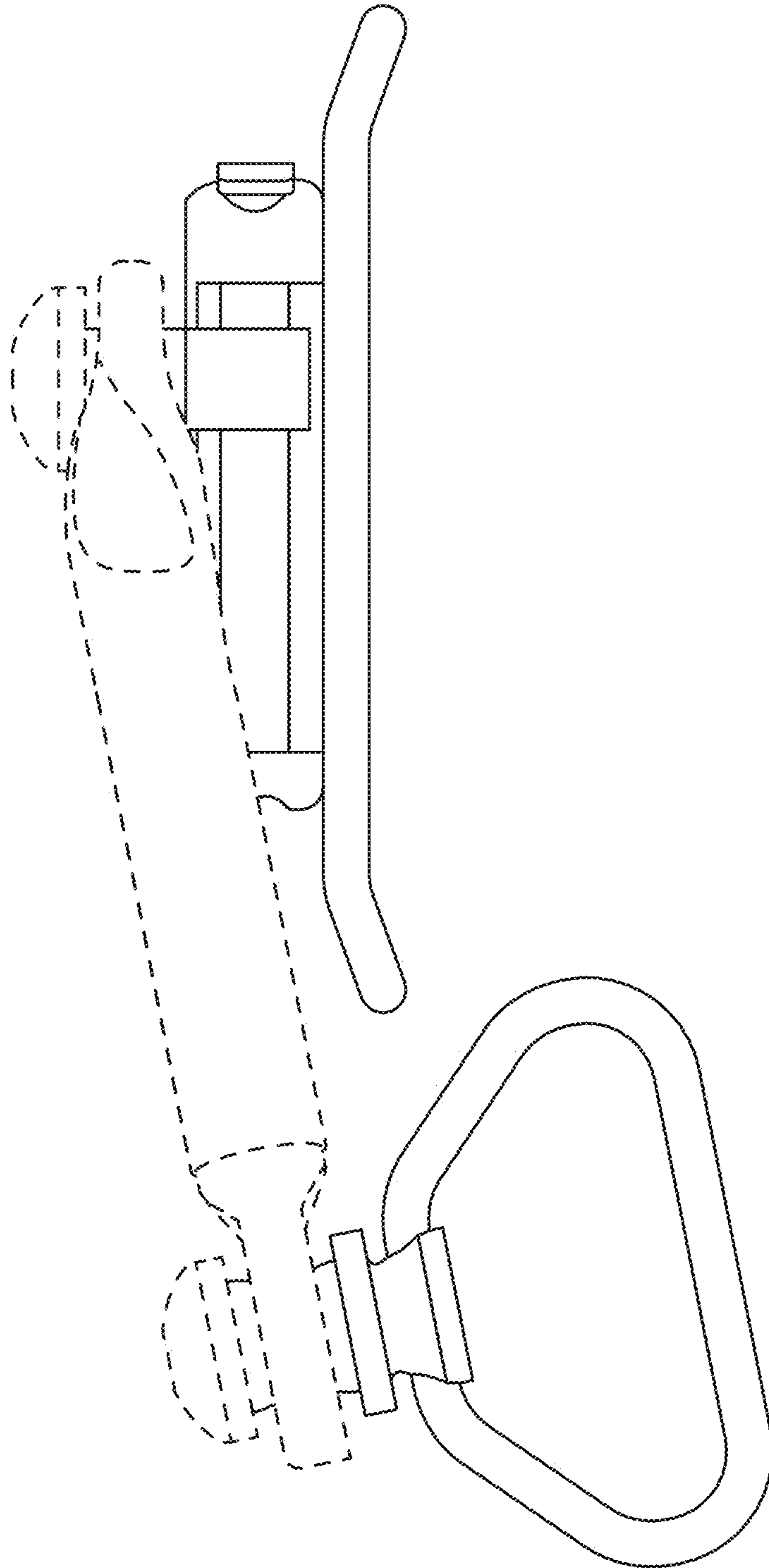


FIG.40

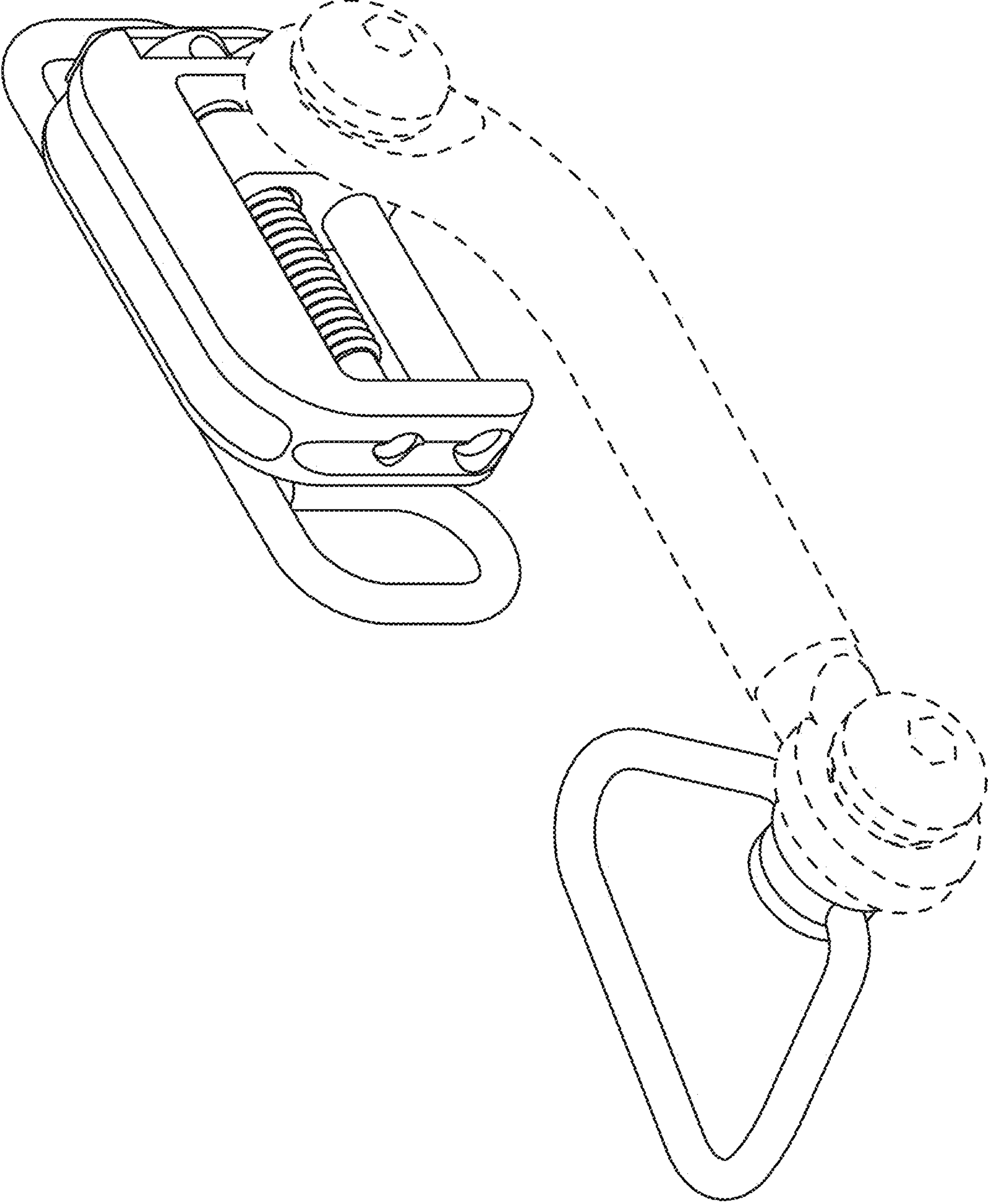


FIG.41

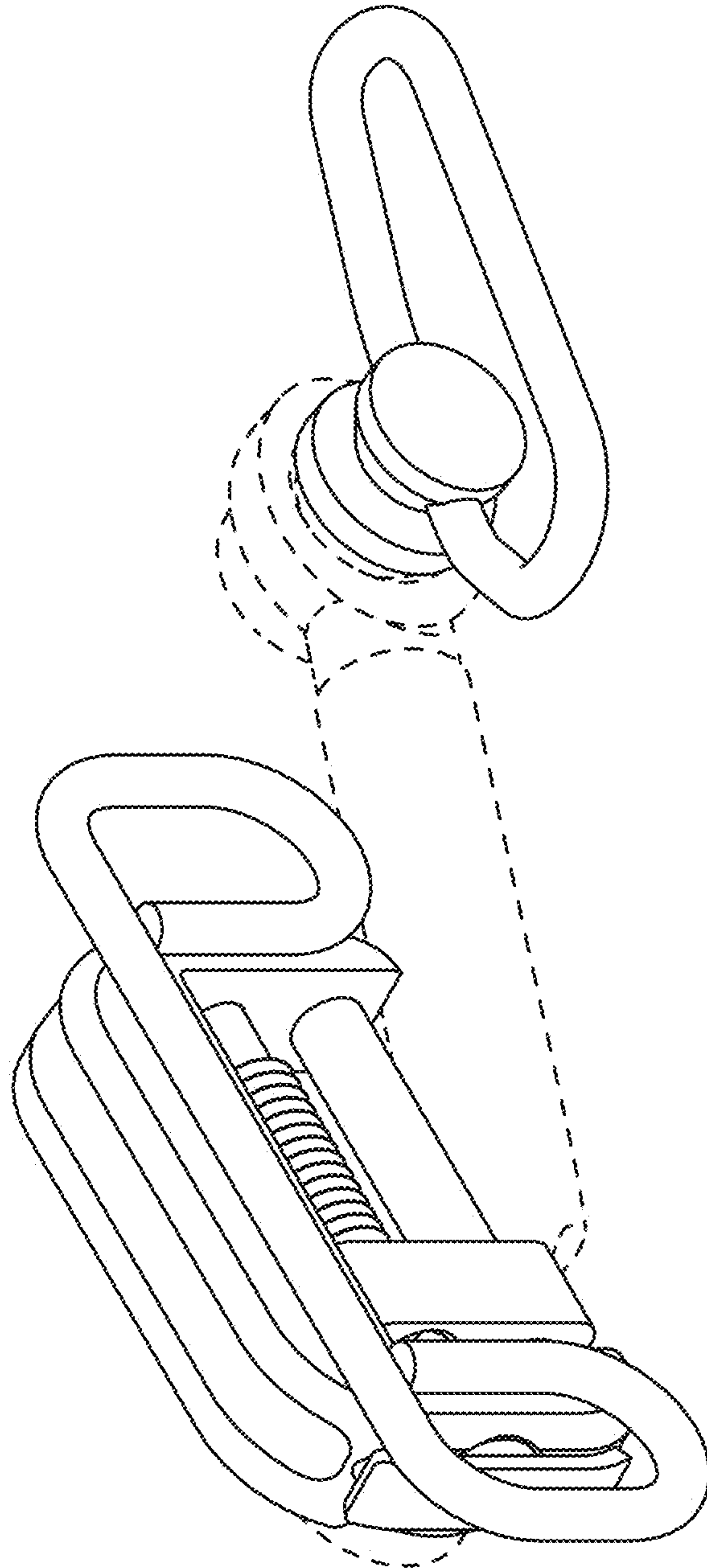


FIG.42

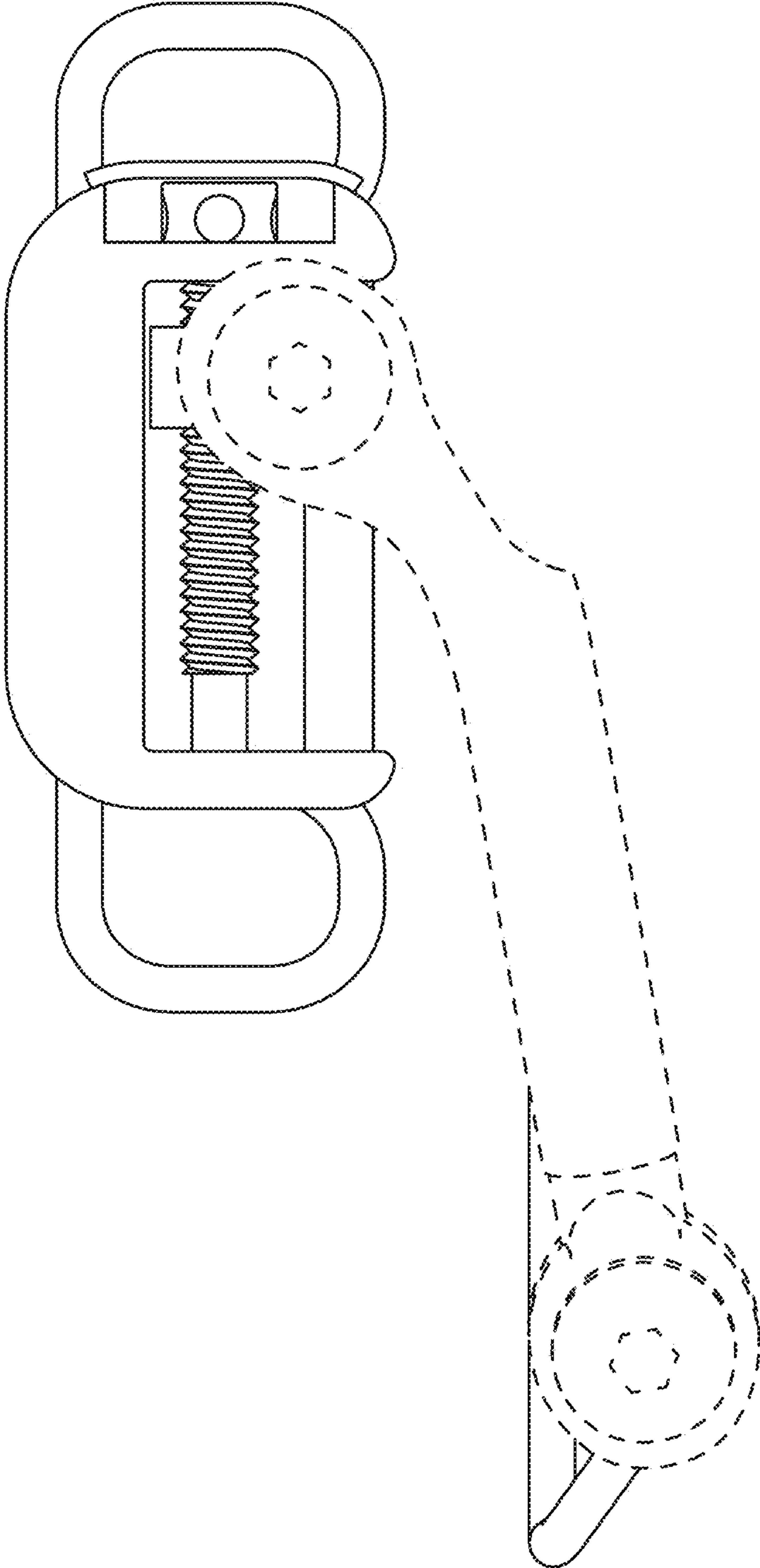


FIG.43

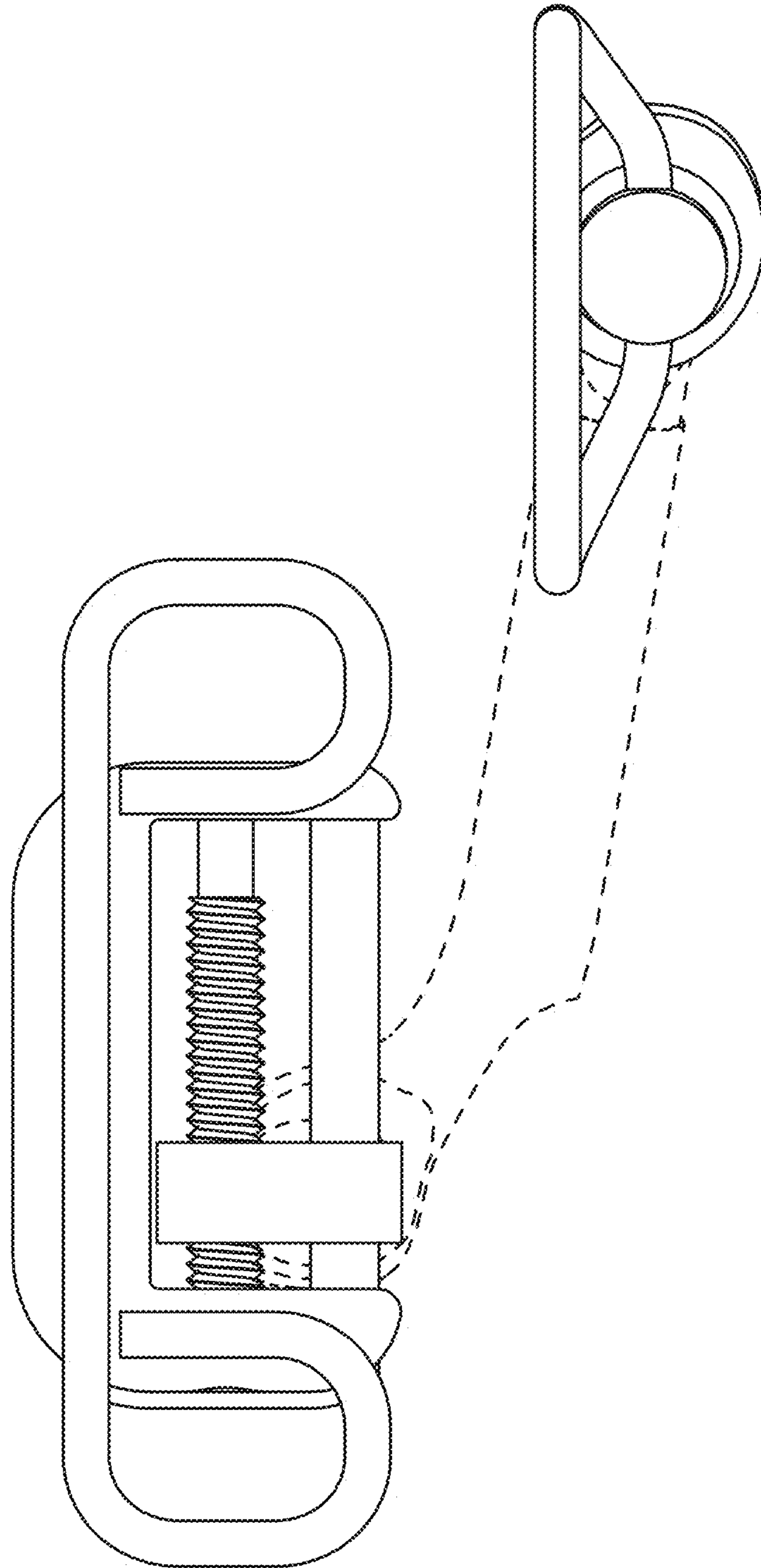


FIG.44

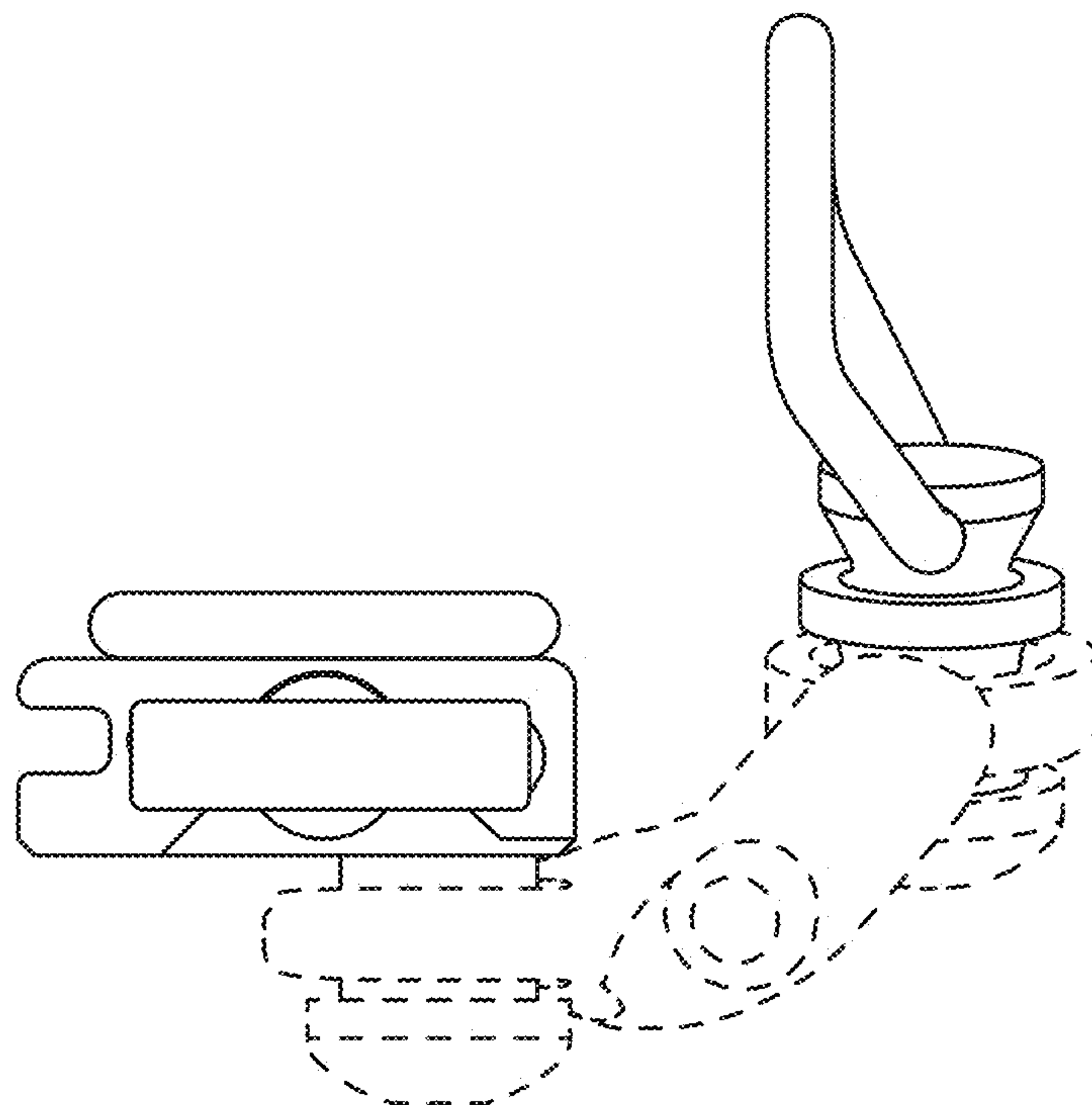


FIG.45

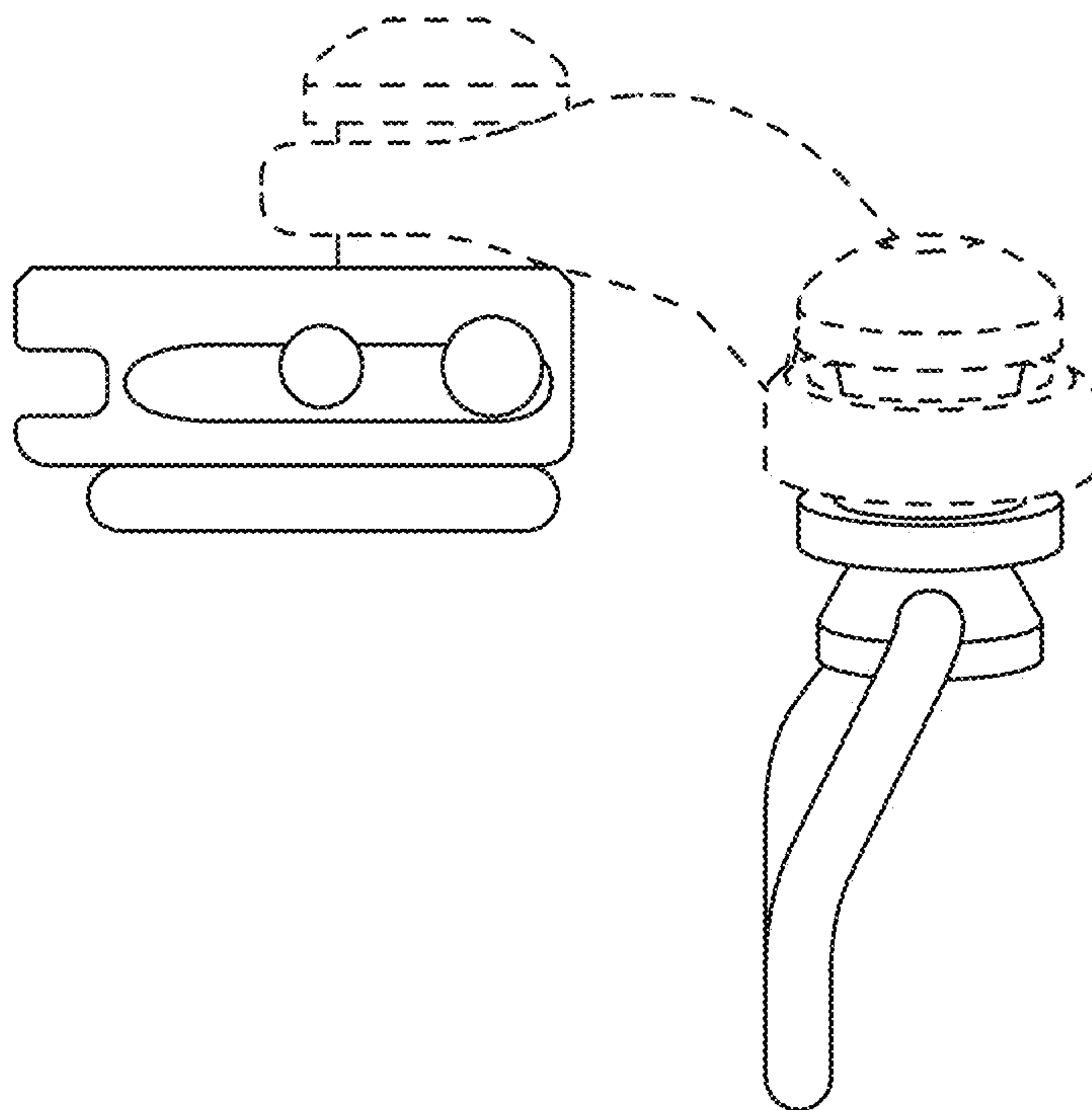


FIG.46

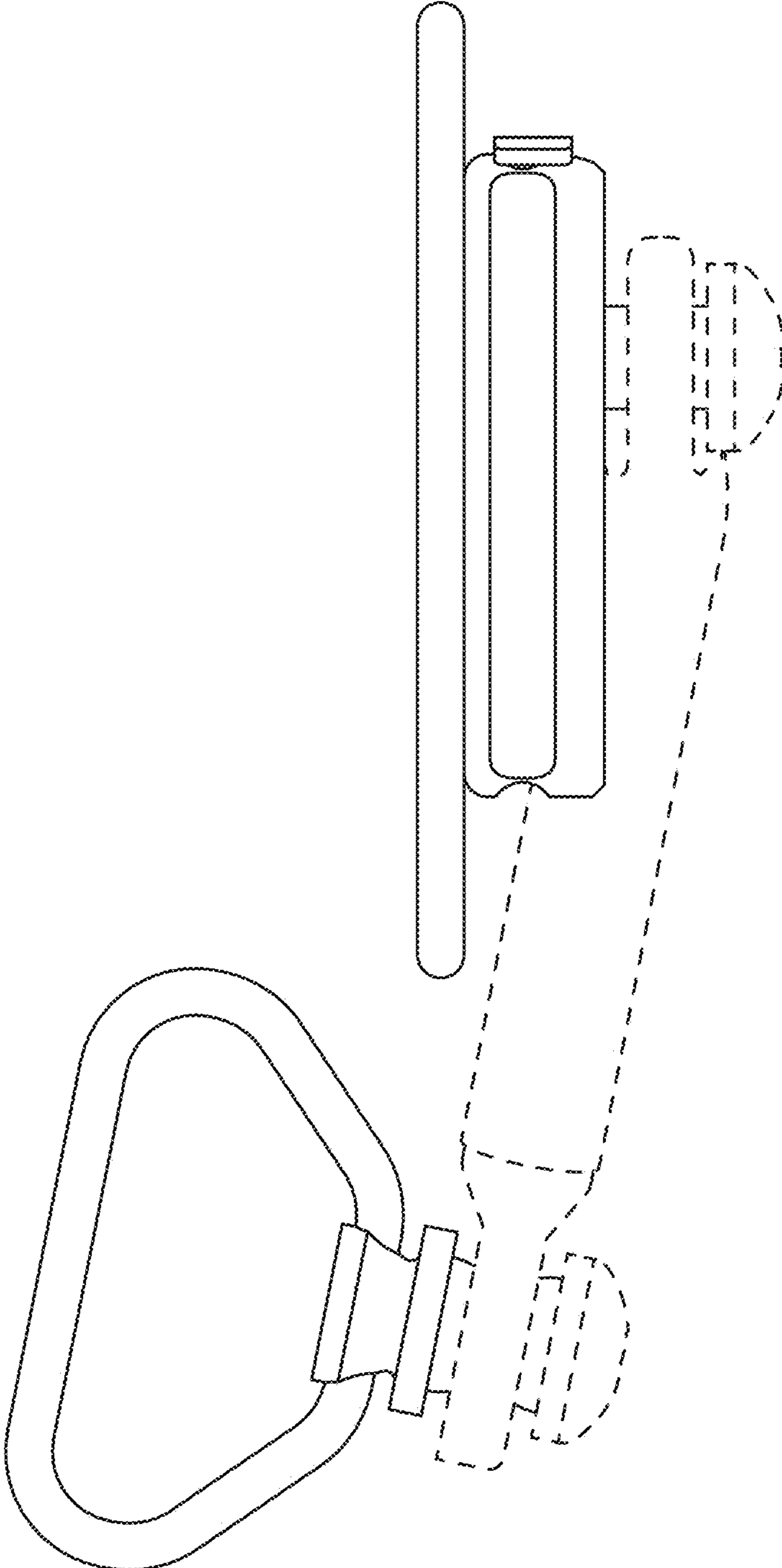


FIG.47

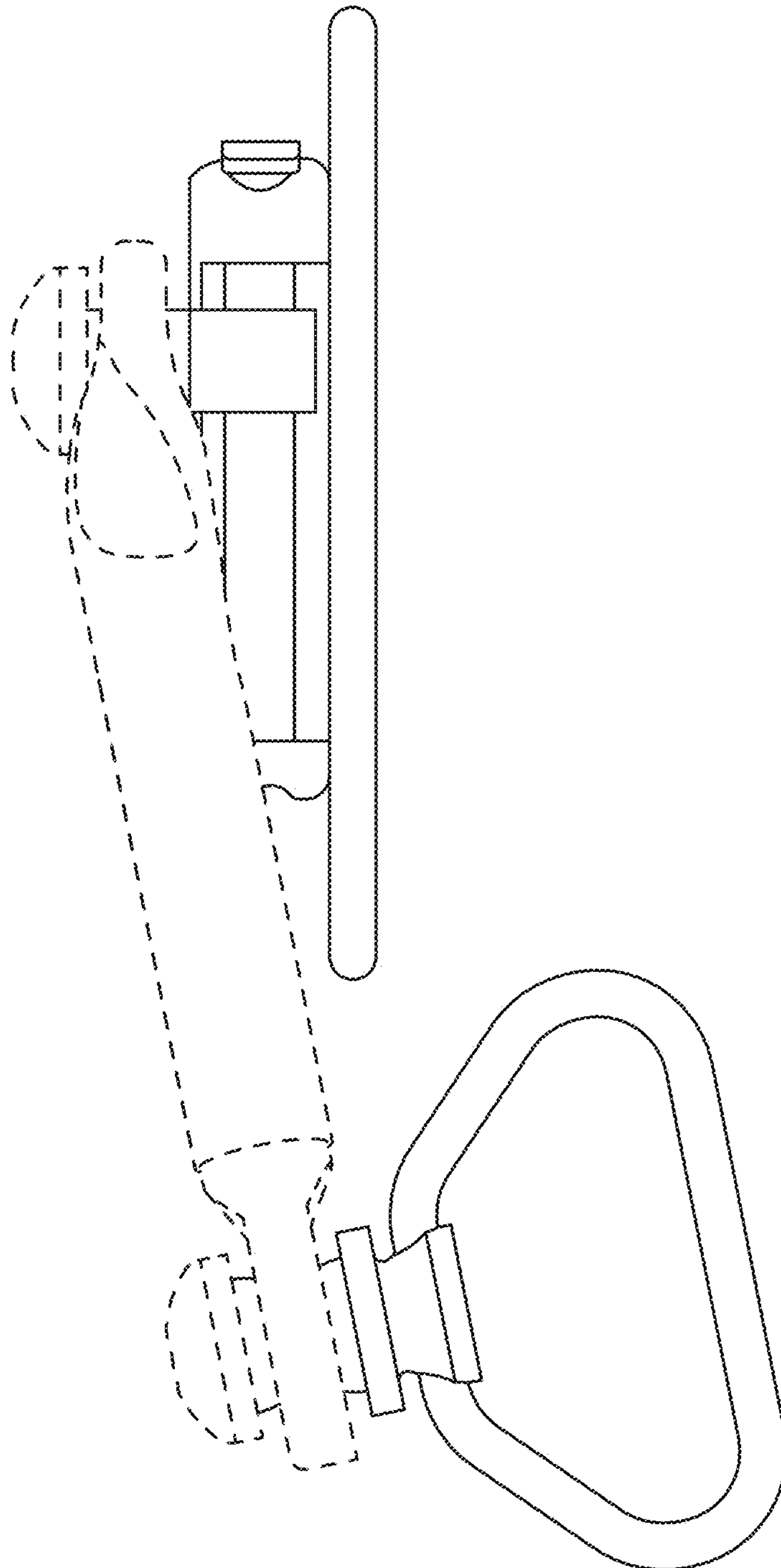


FIG.48

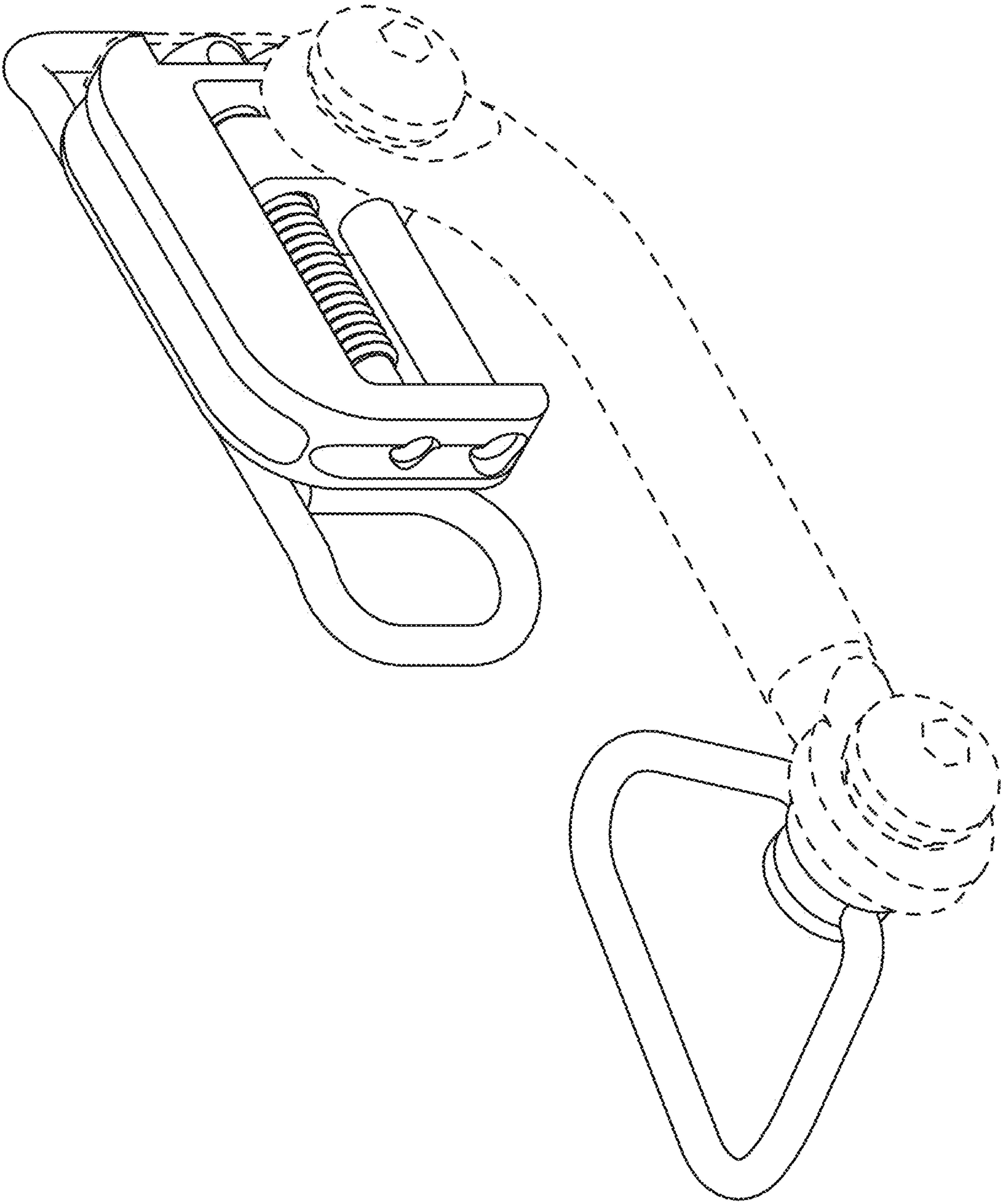


FIG.49

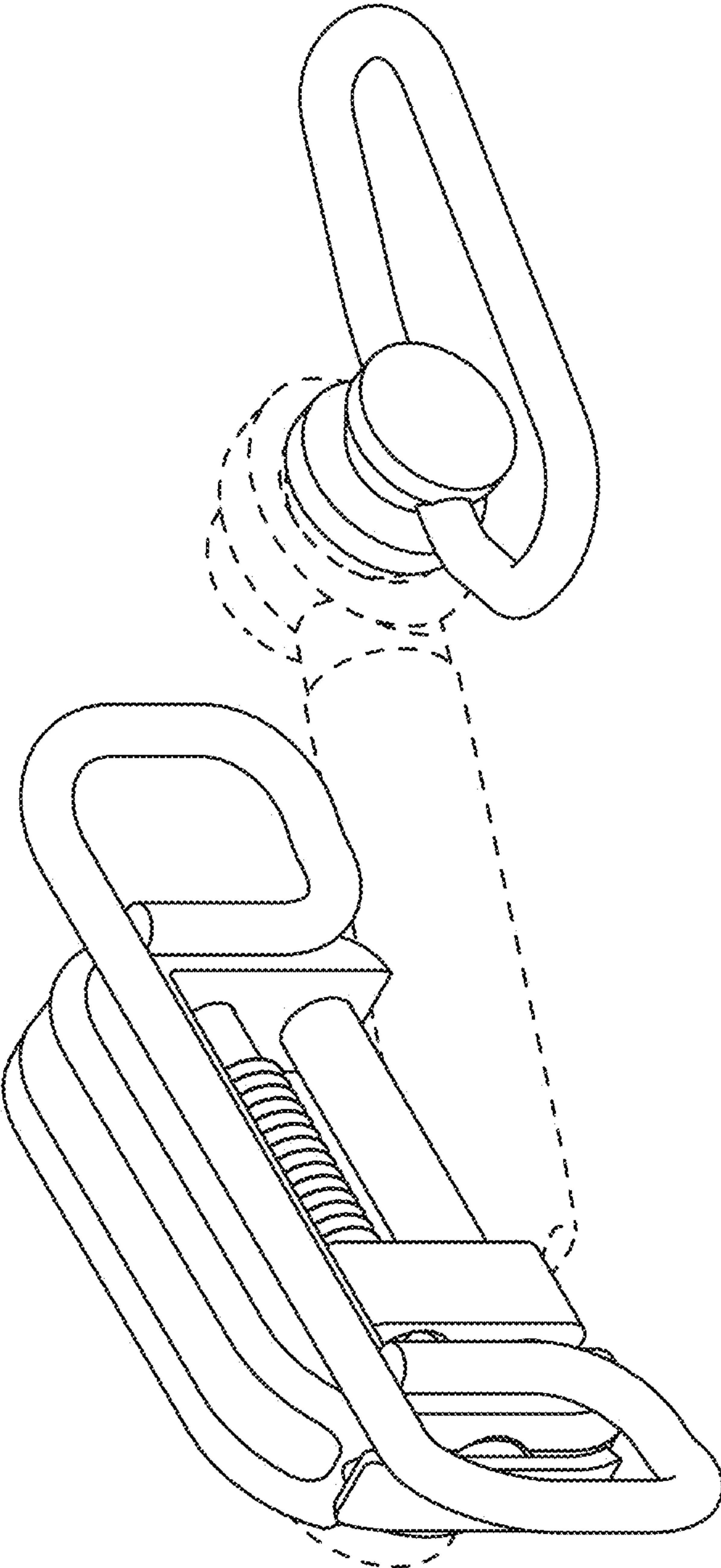


FIG.50

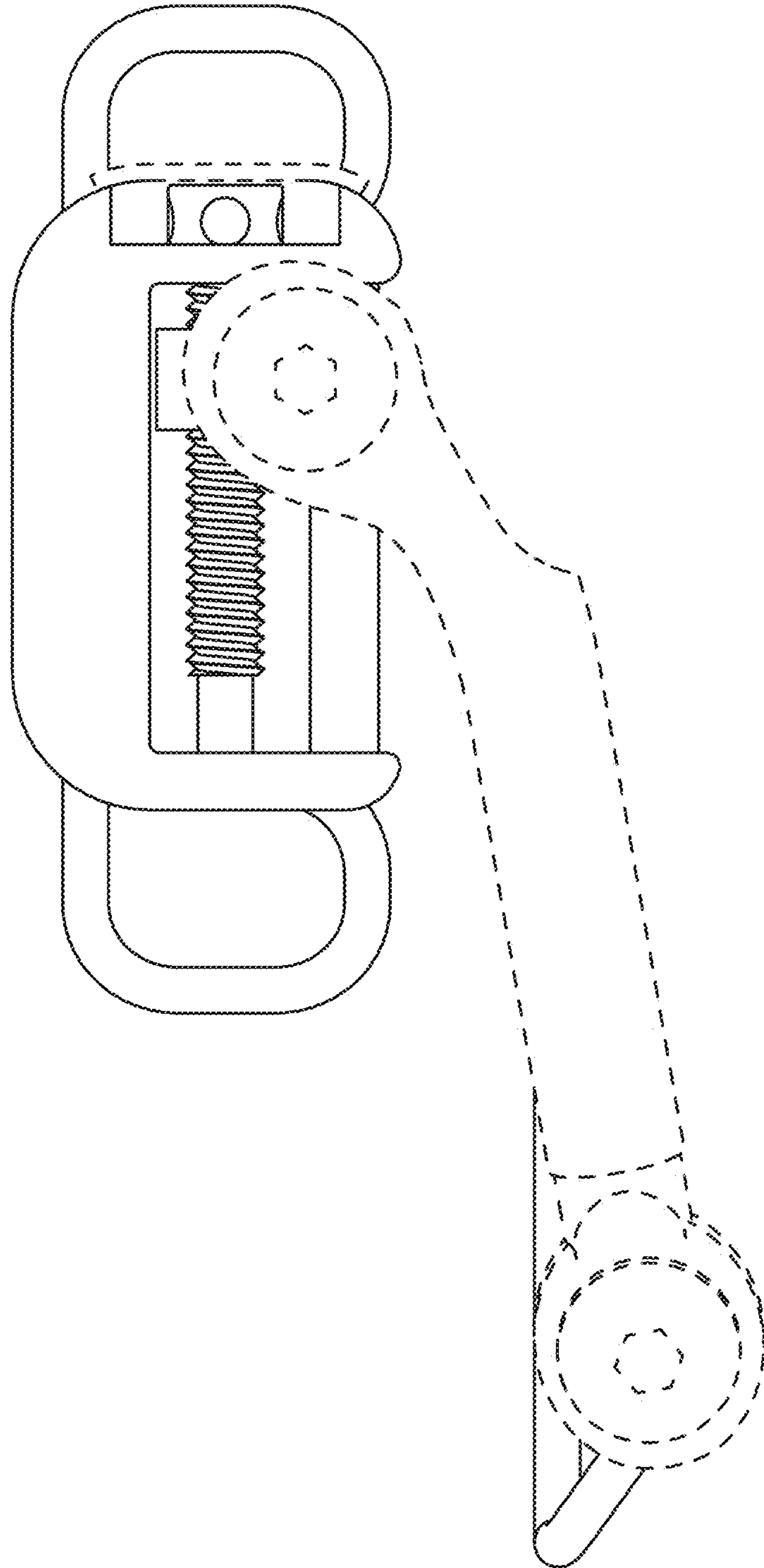


FIG.51

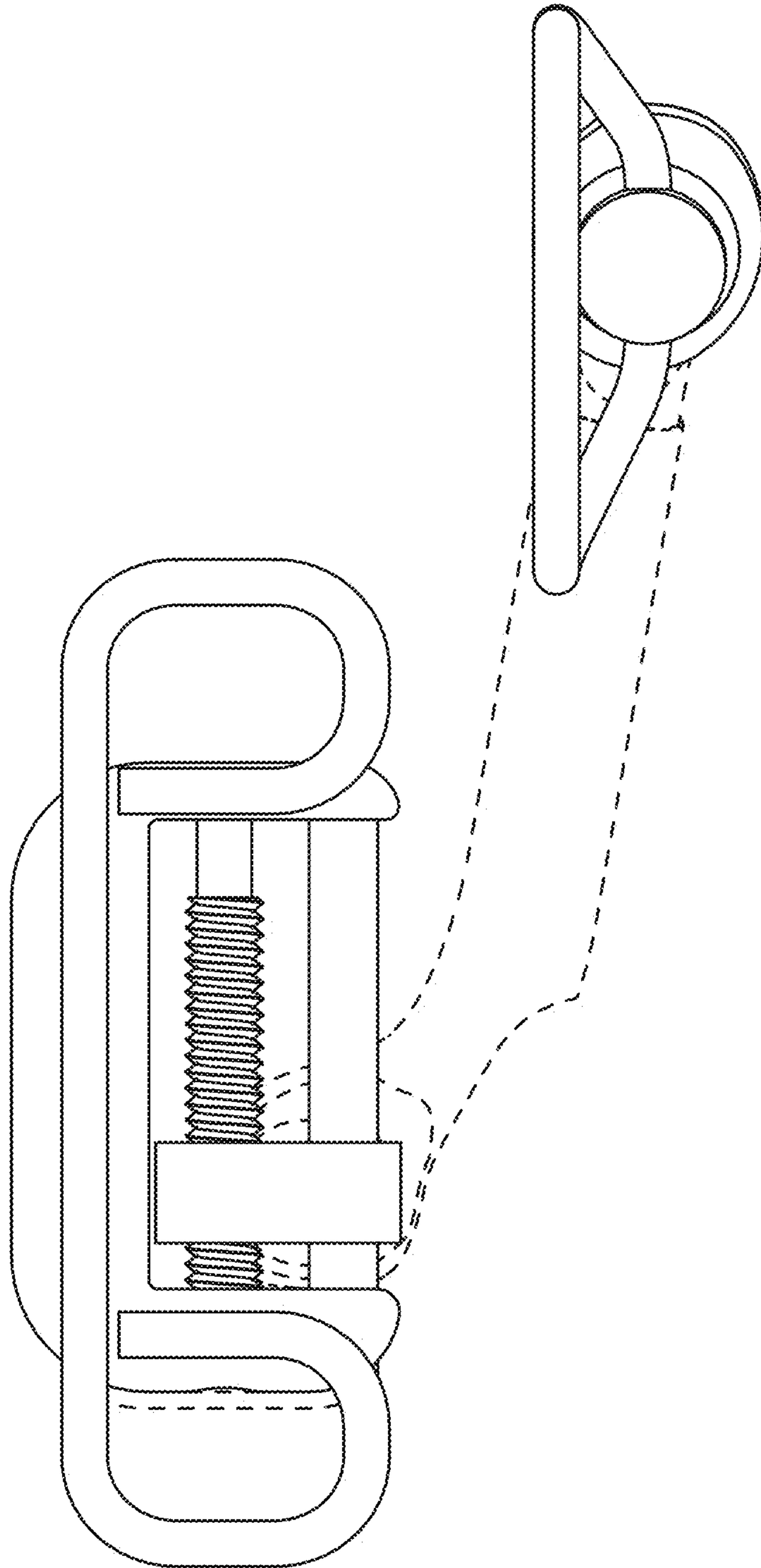


FIG.52

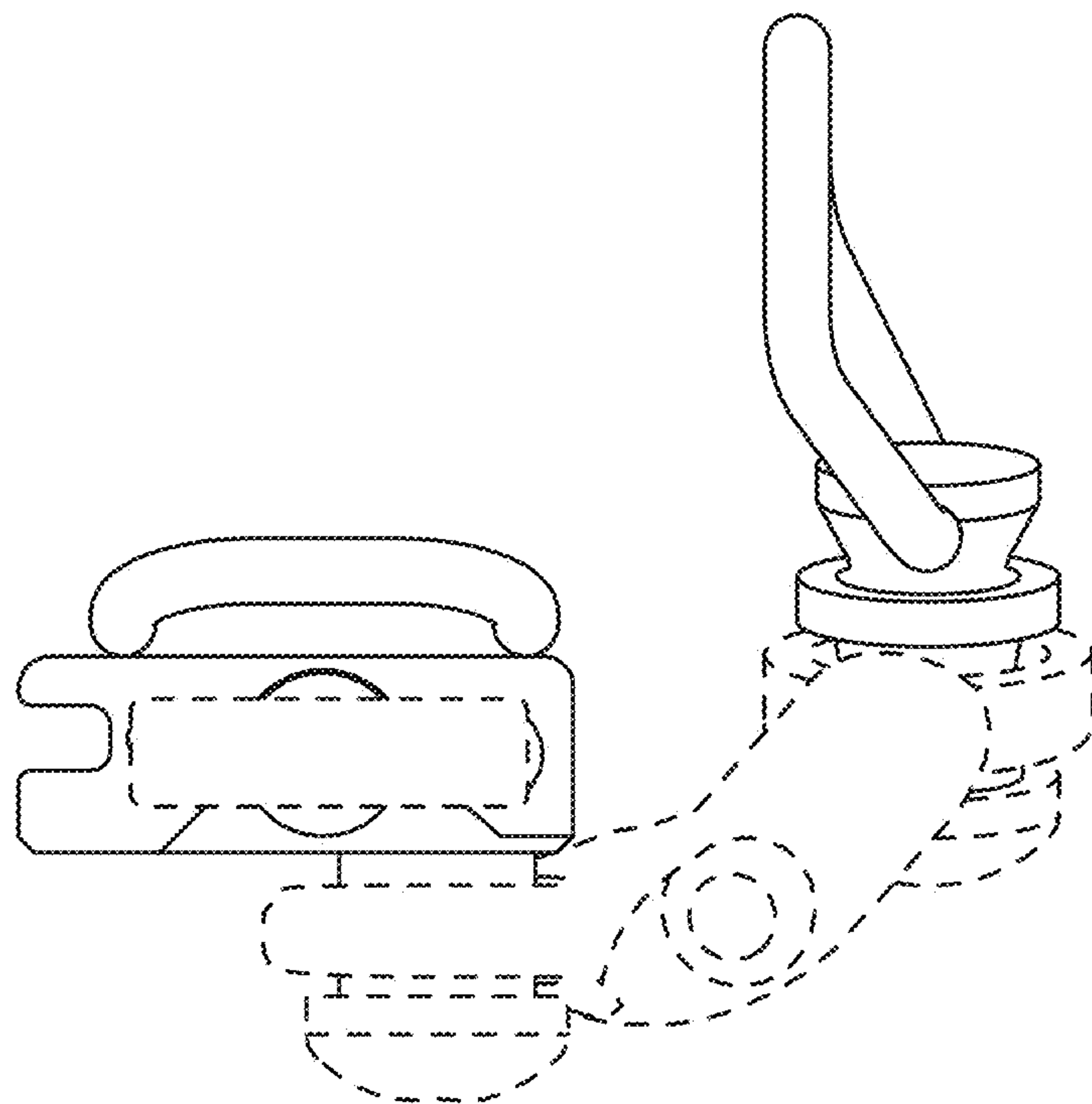


FIG.53

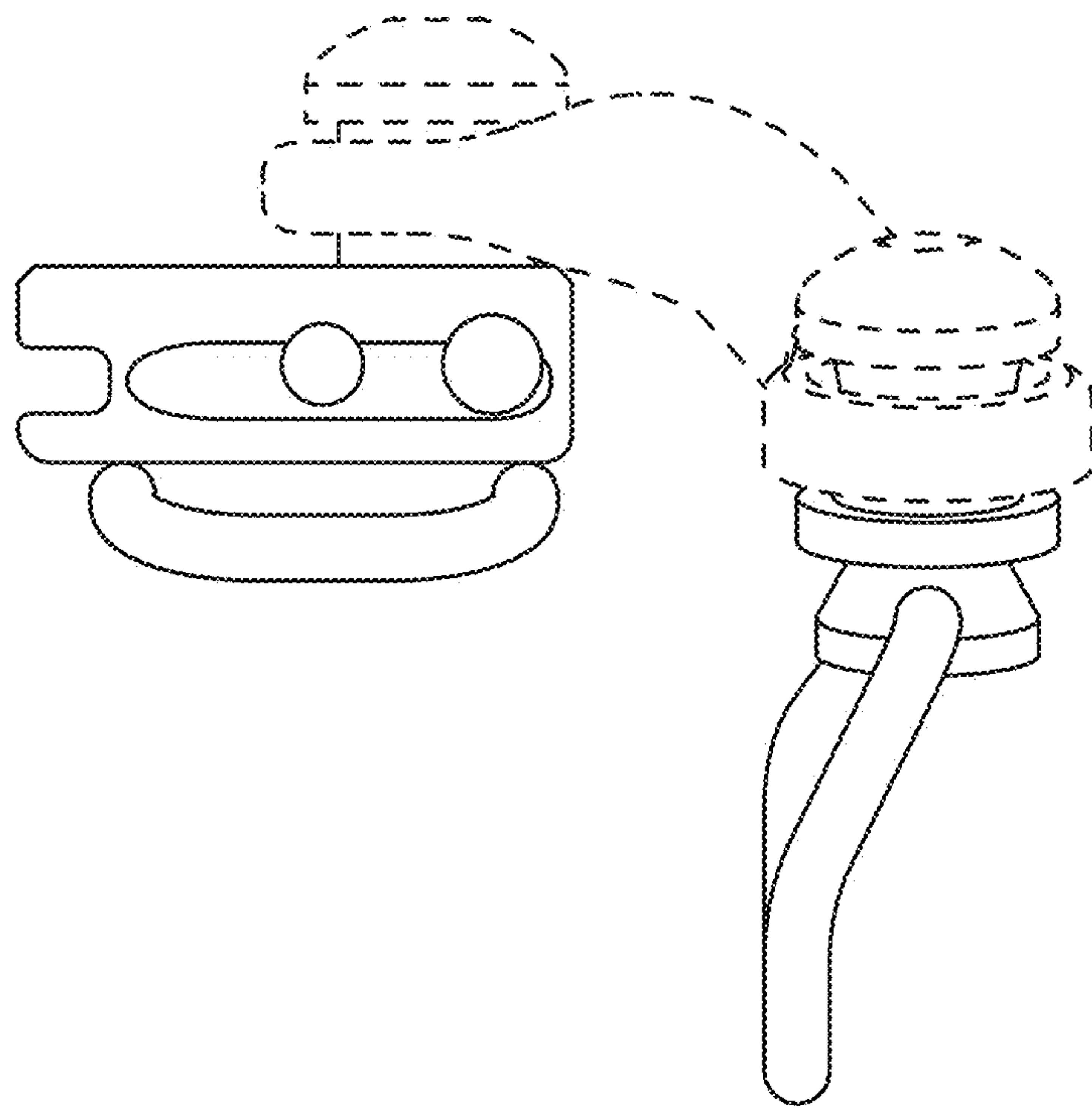


FIG.54

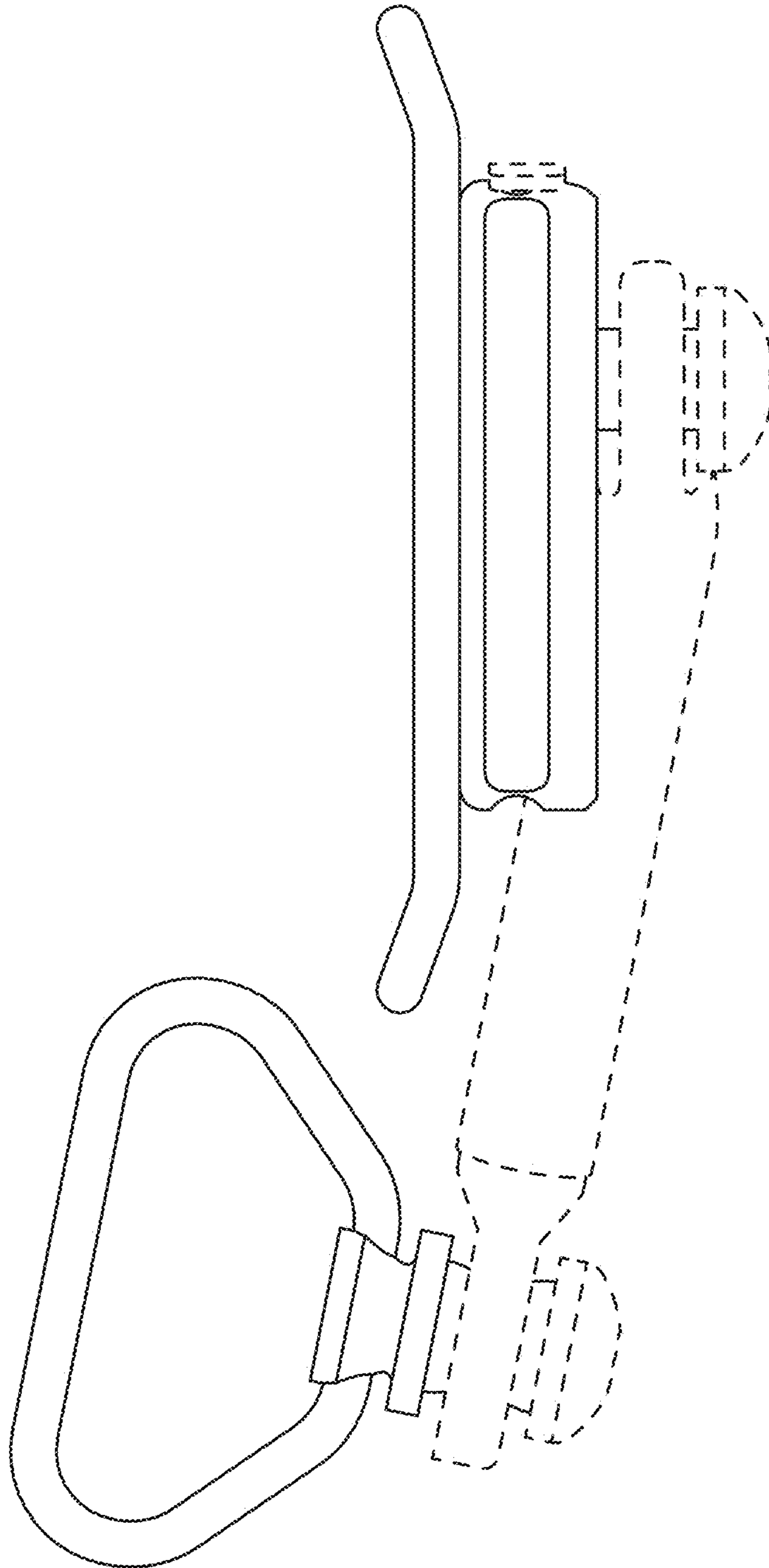


FIG.55

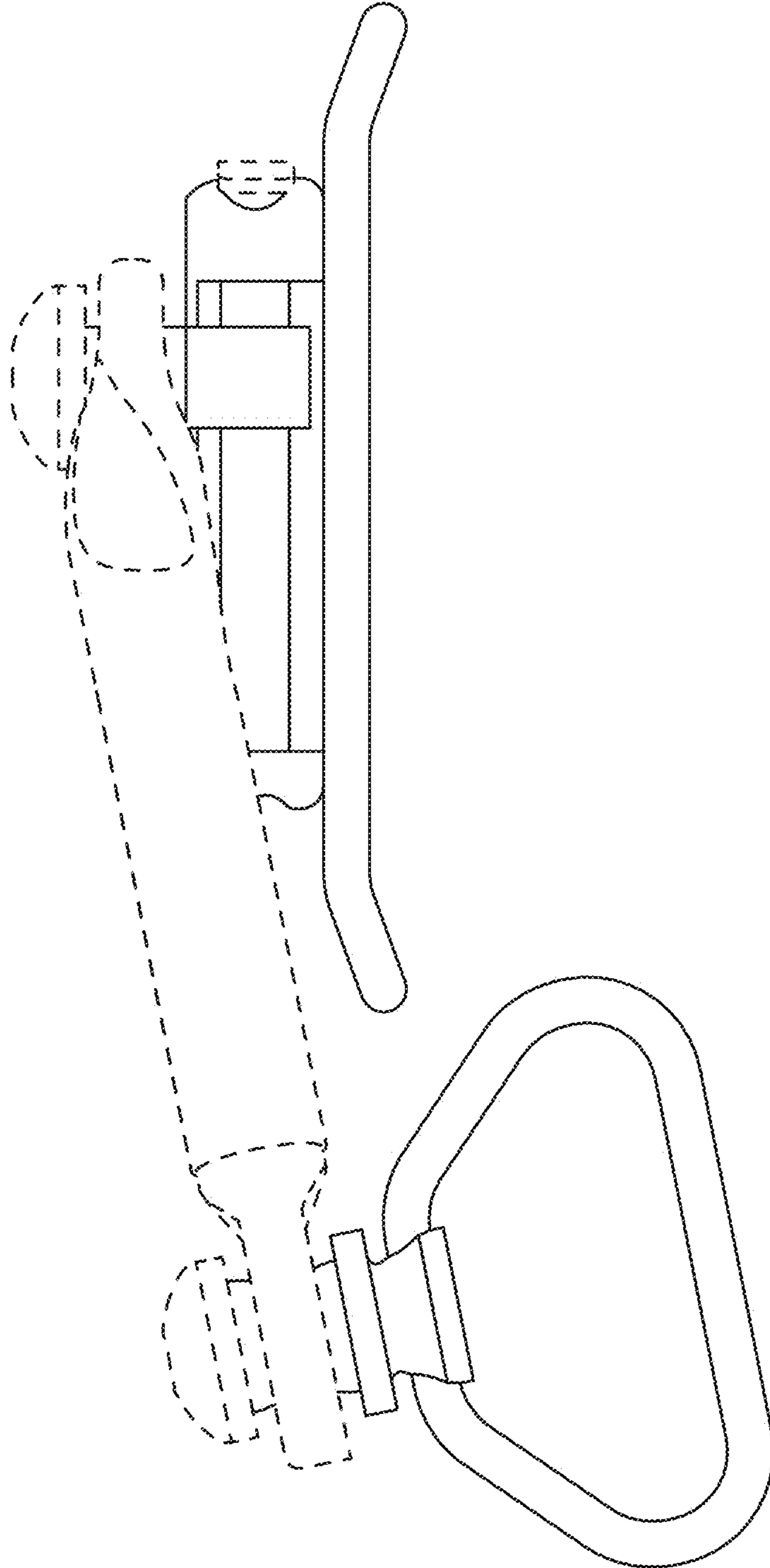


FIG.56

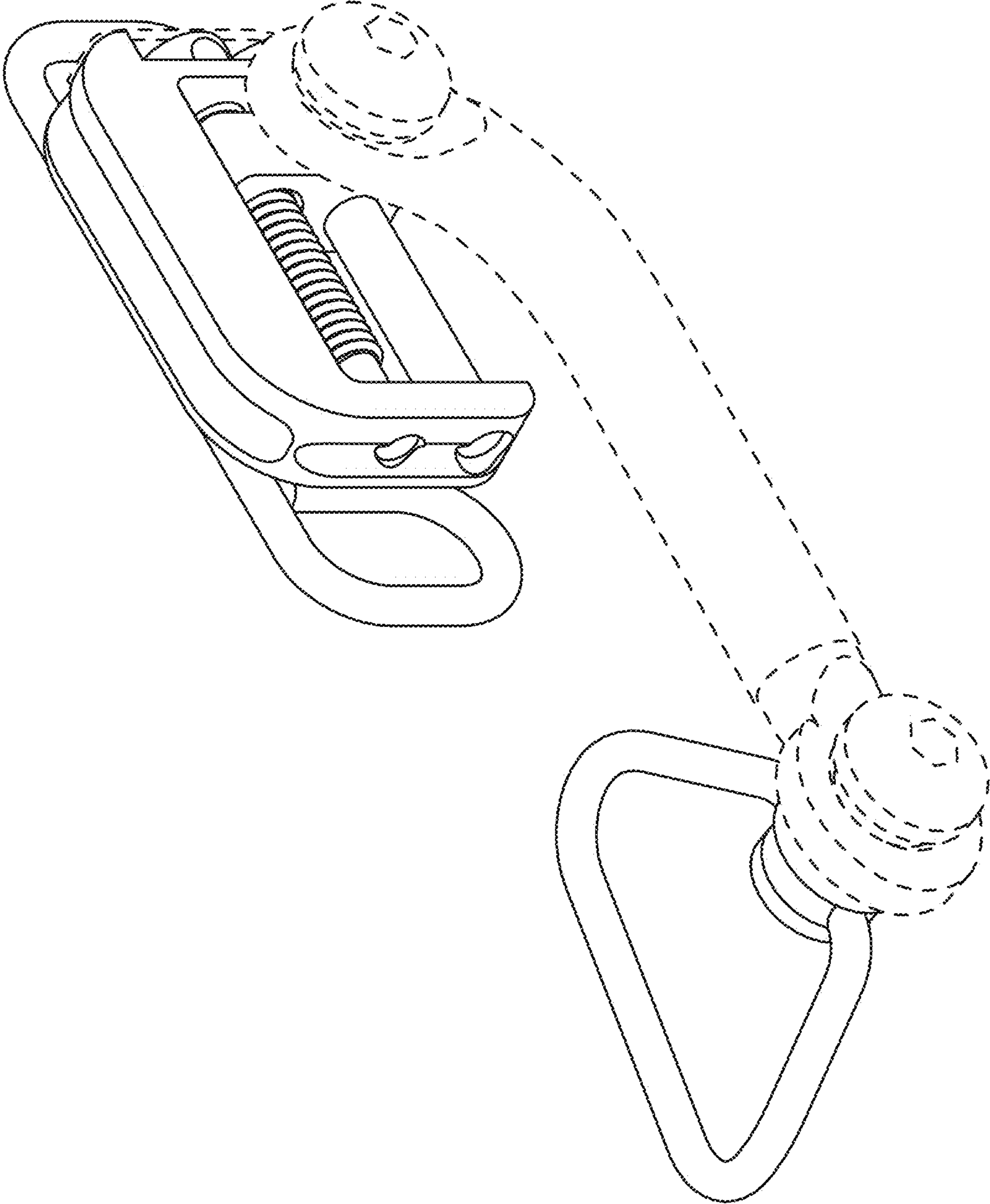


FIG.57

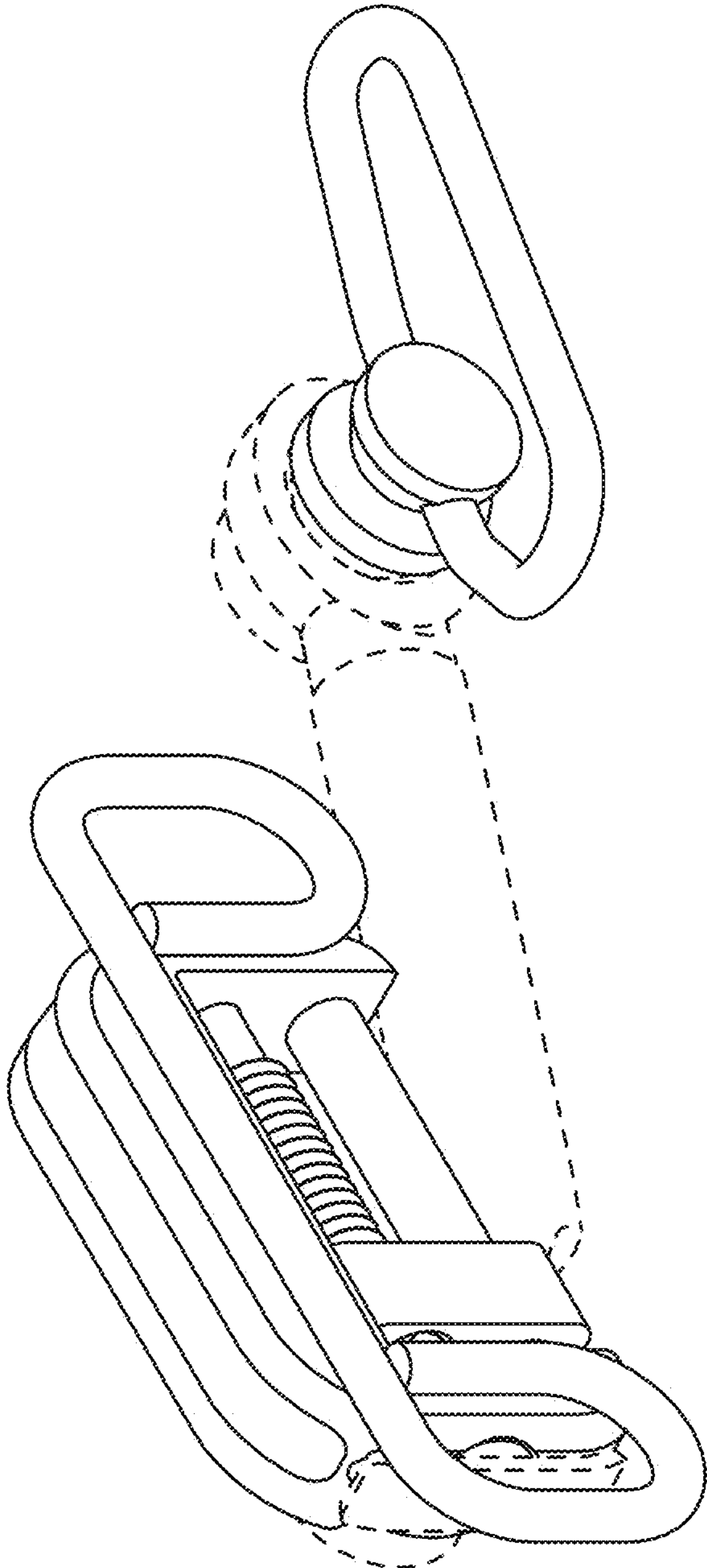


FIG.58

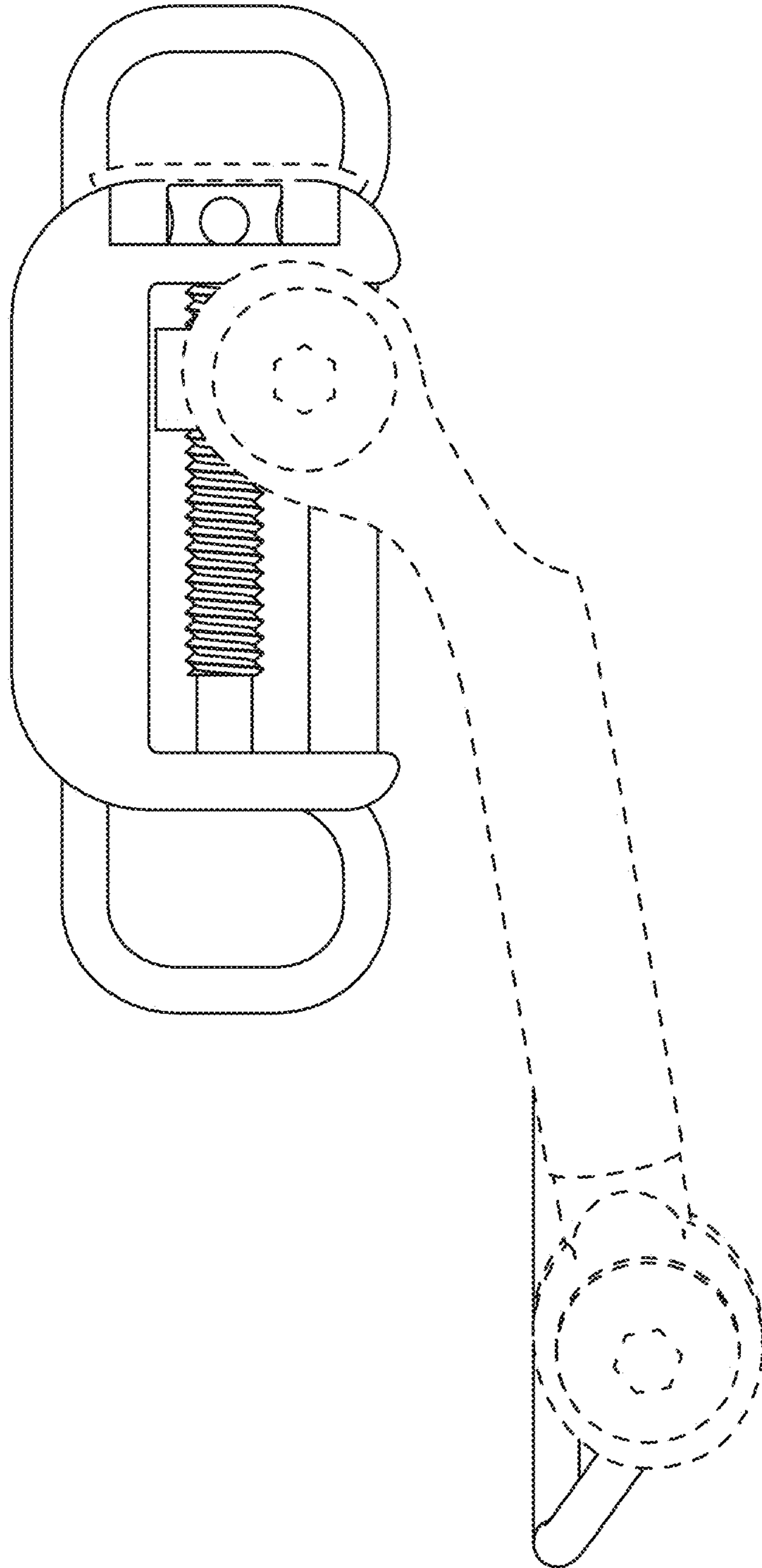


FIG.59

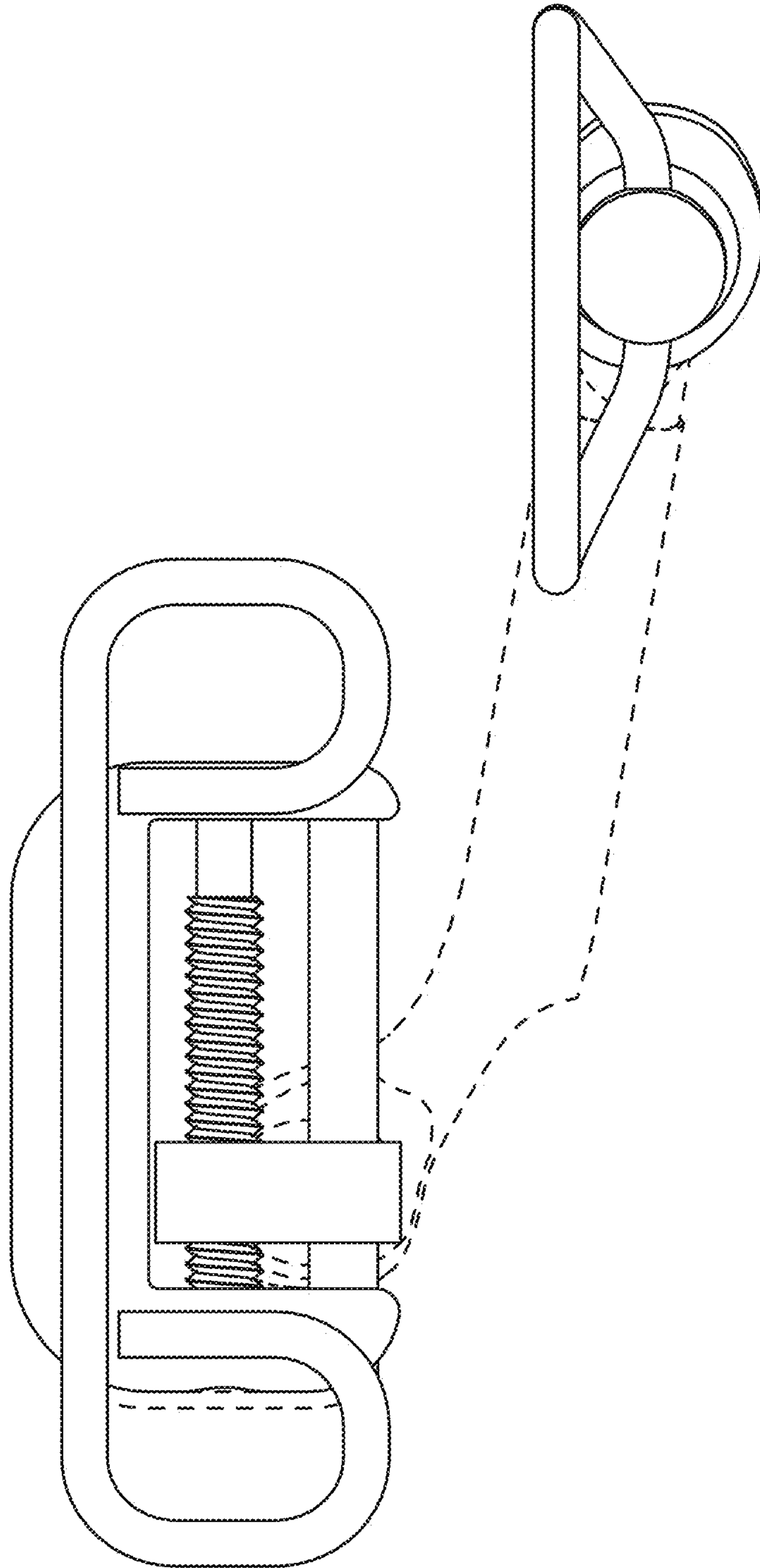


FIG.60

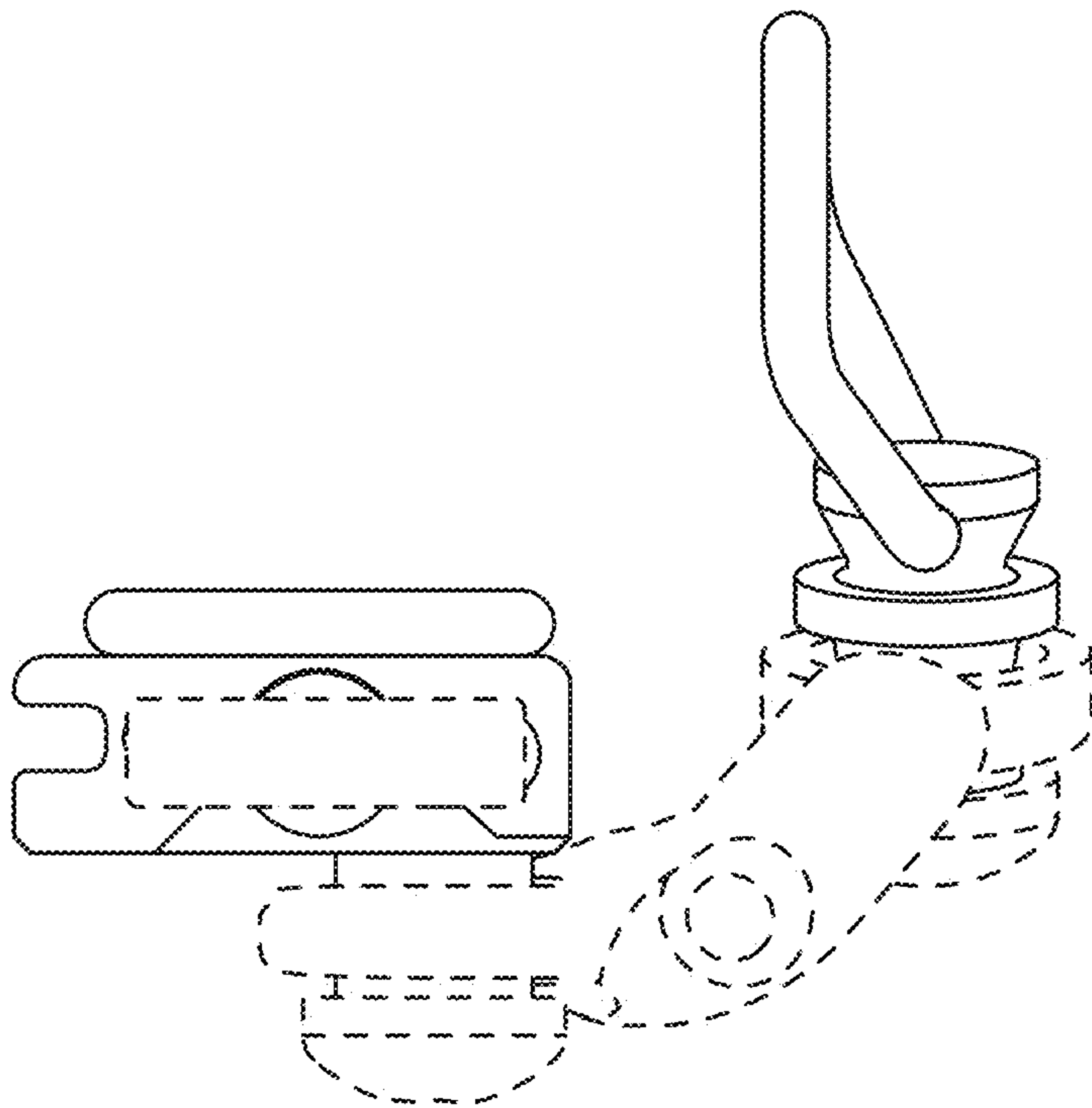


FIG.61

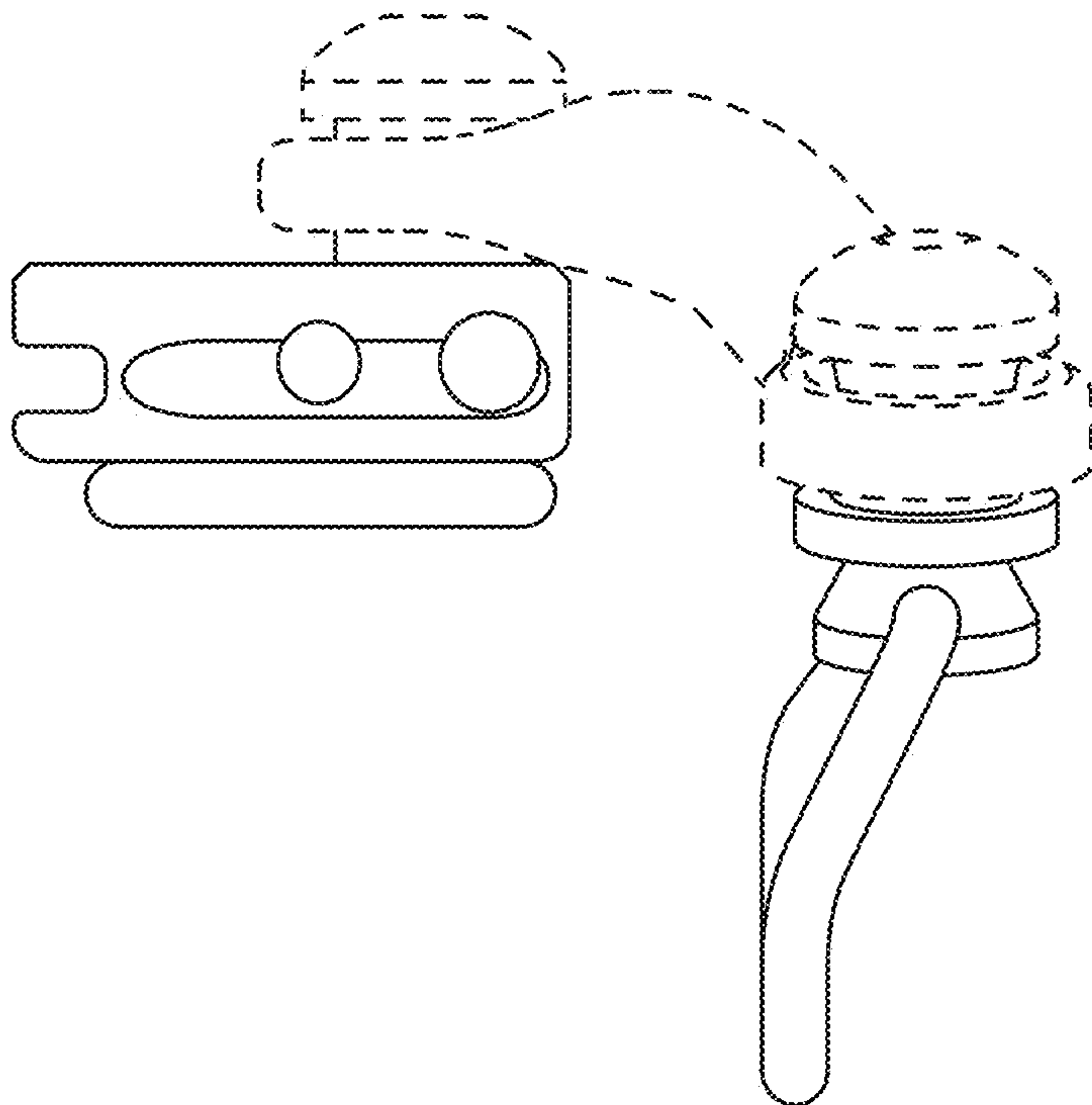


FIG.62

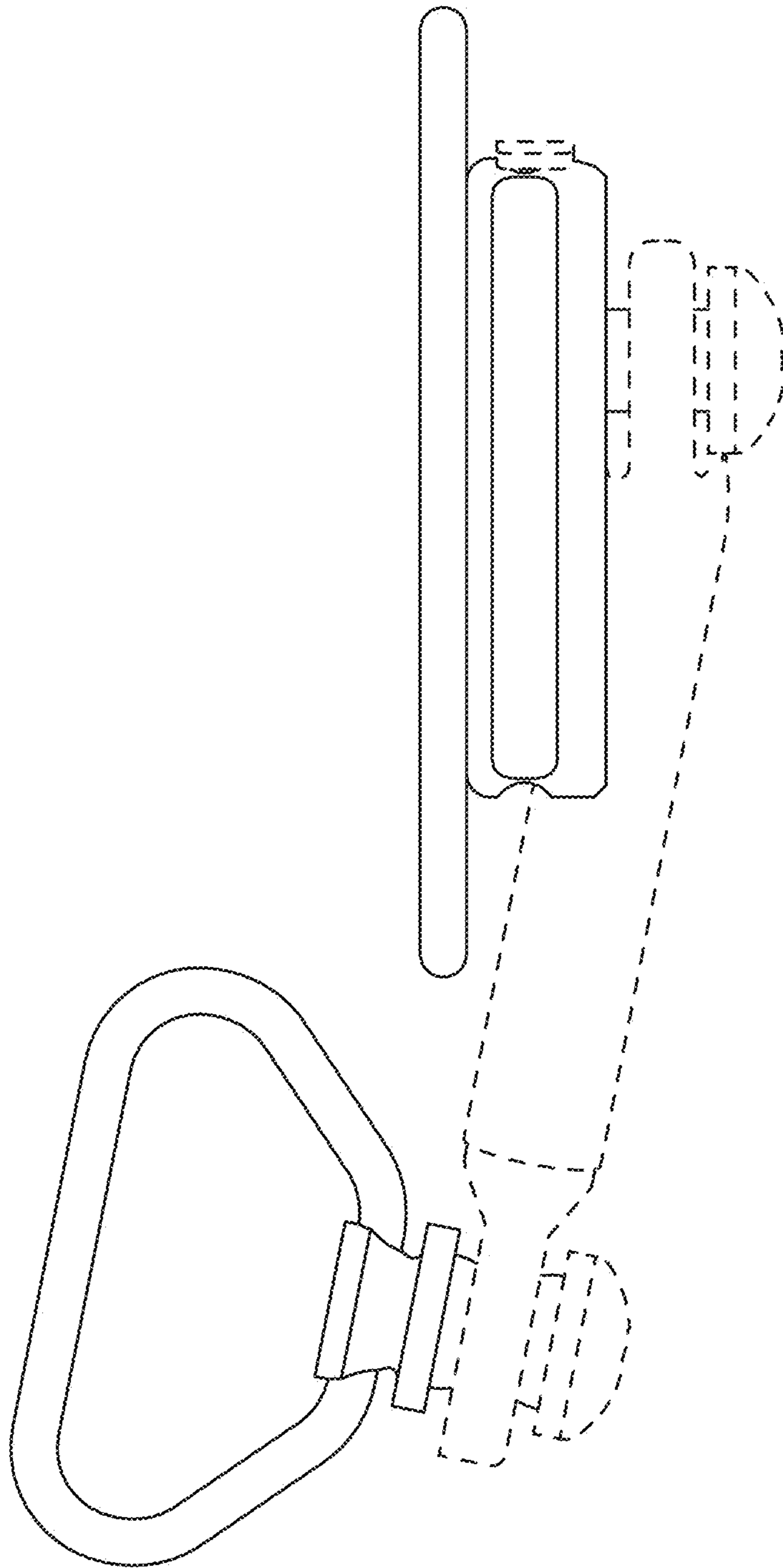


FIG.63

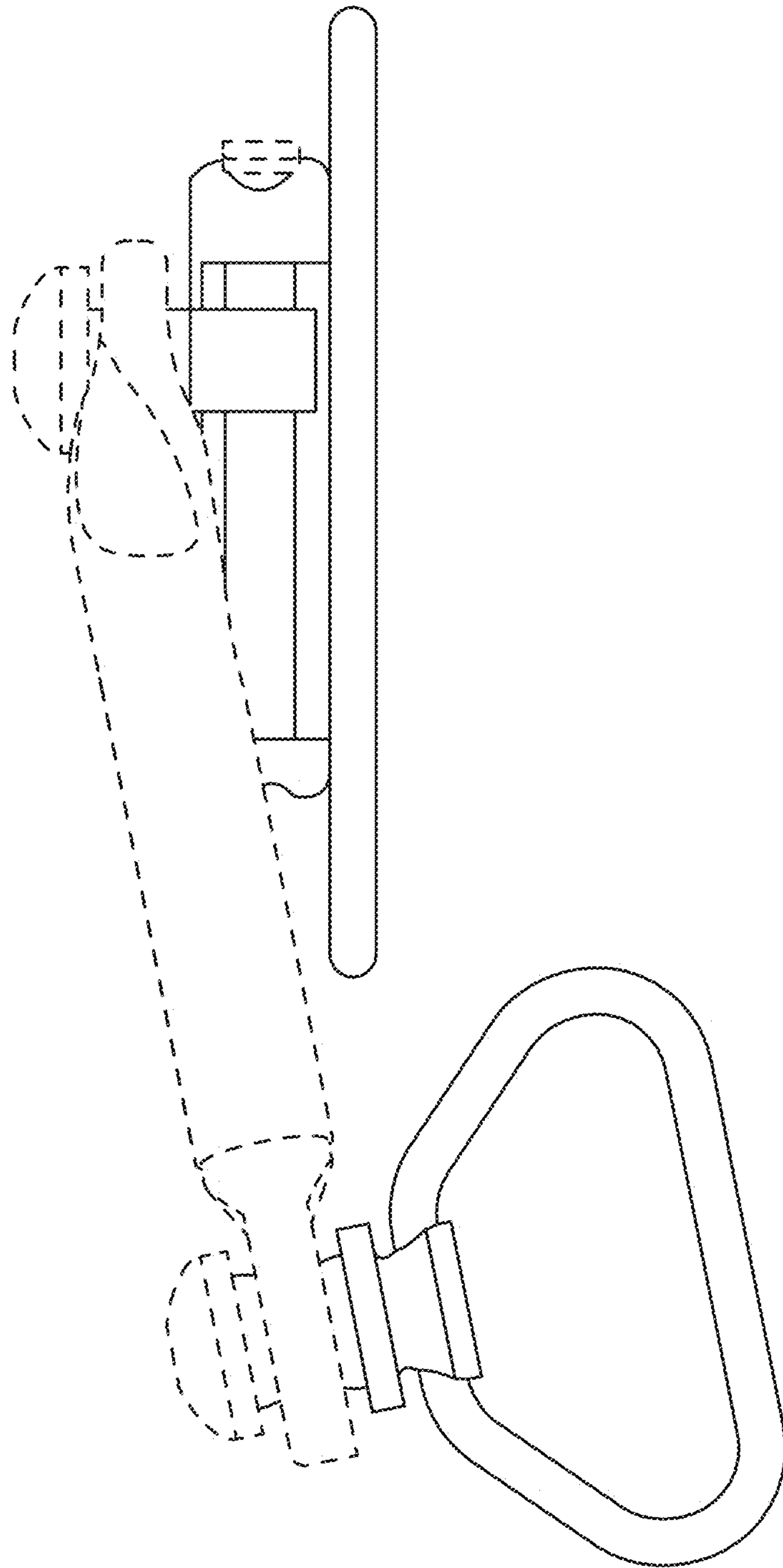


FIG.64

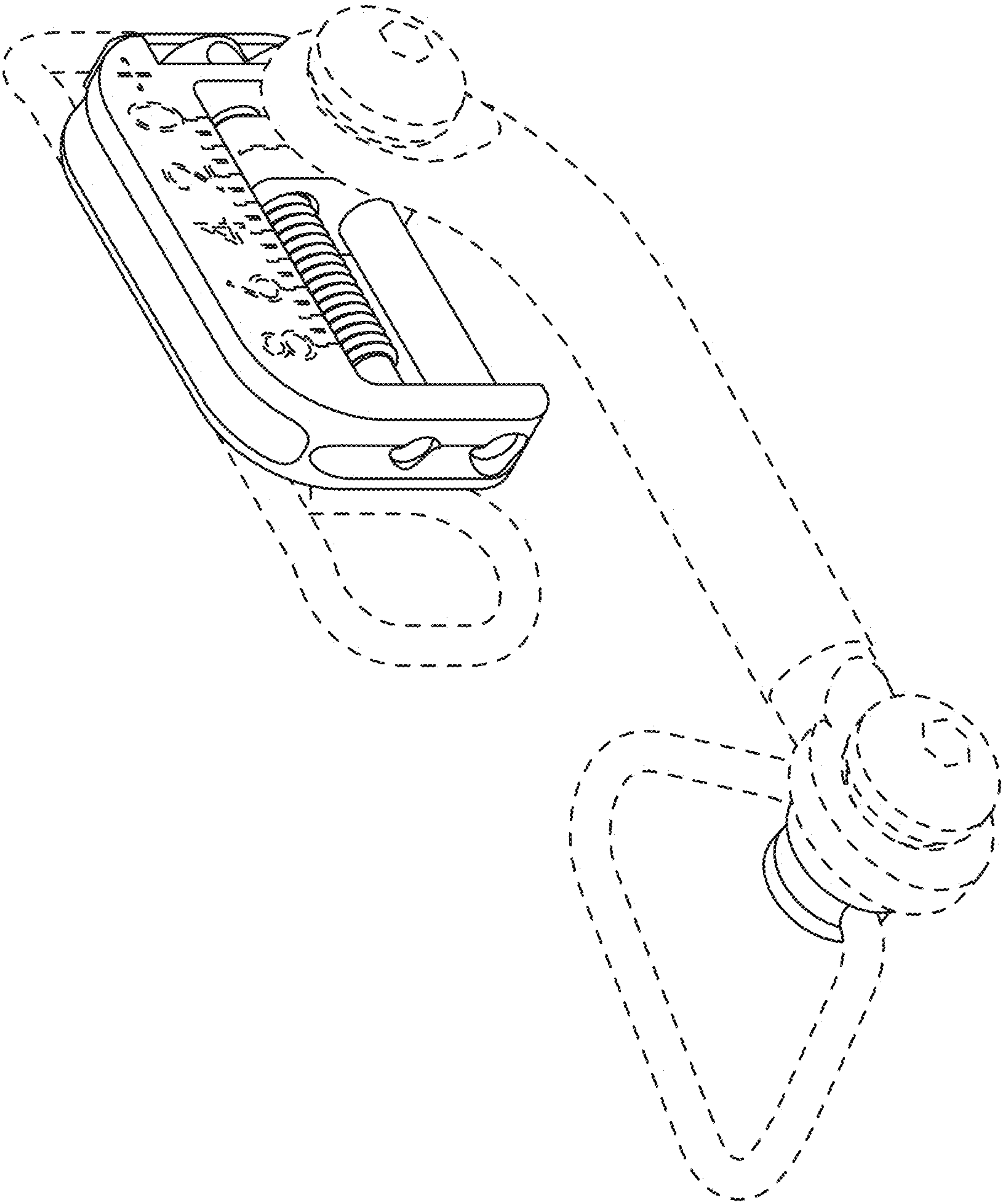


FIG.65

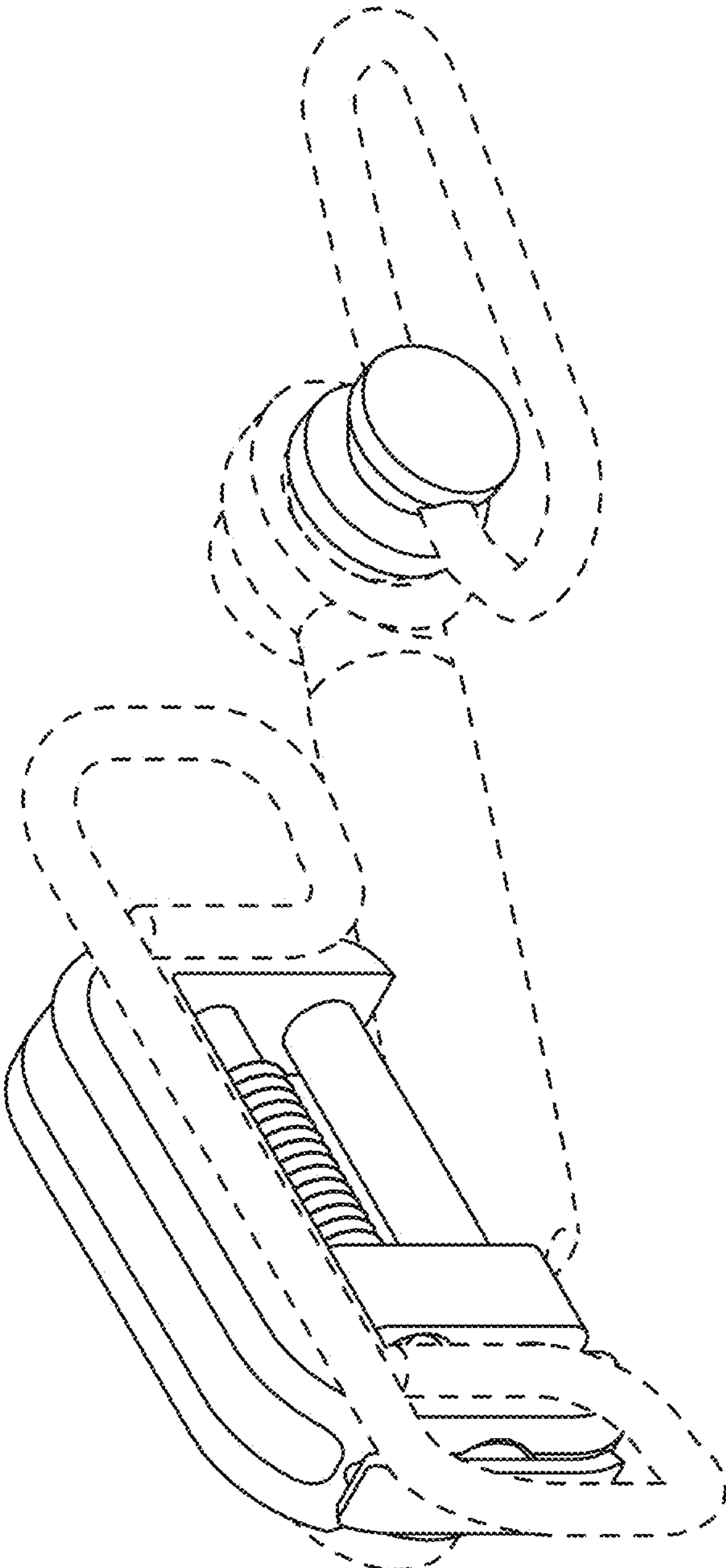


FIG.66

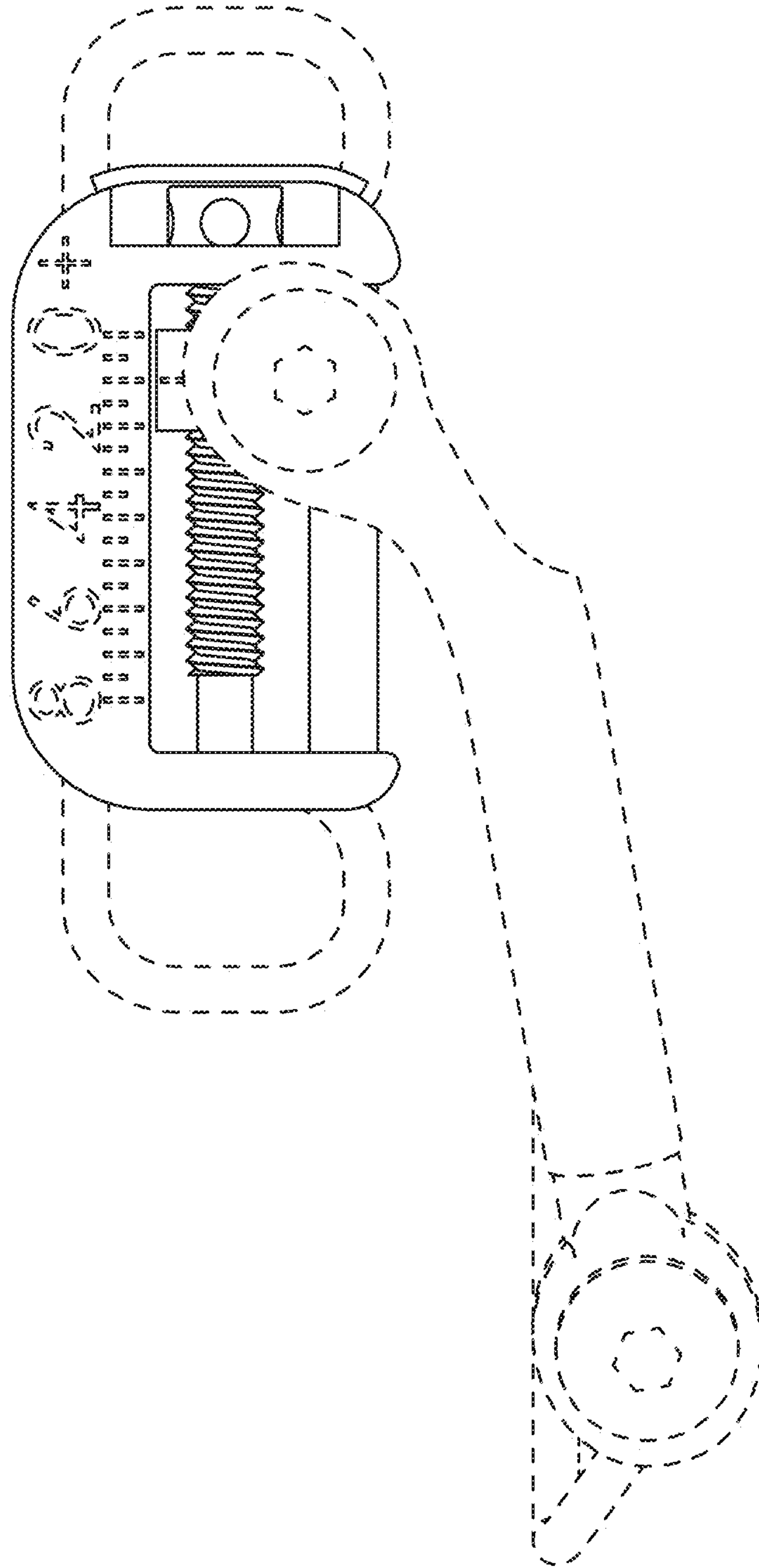


FIG.67

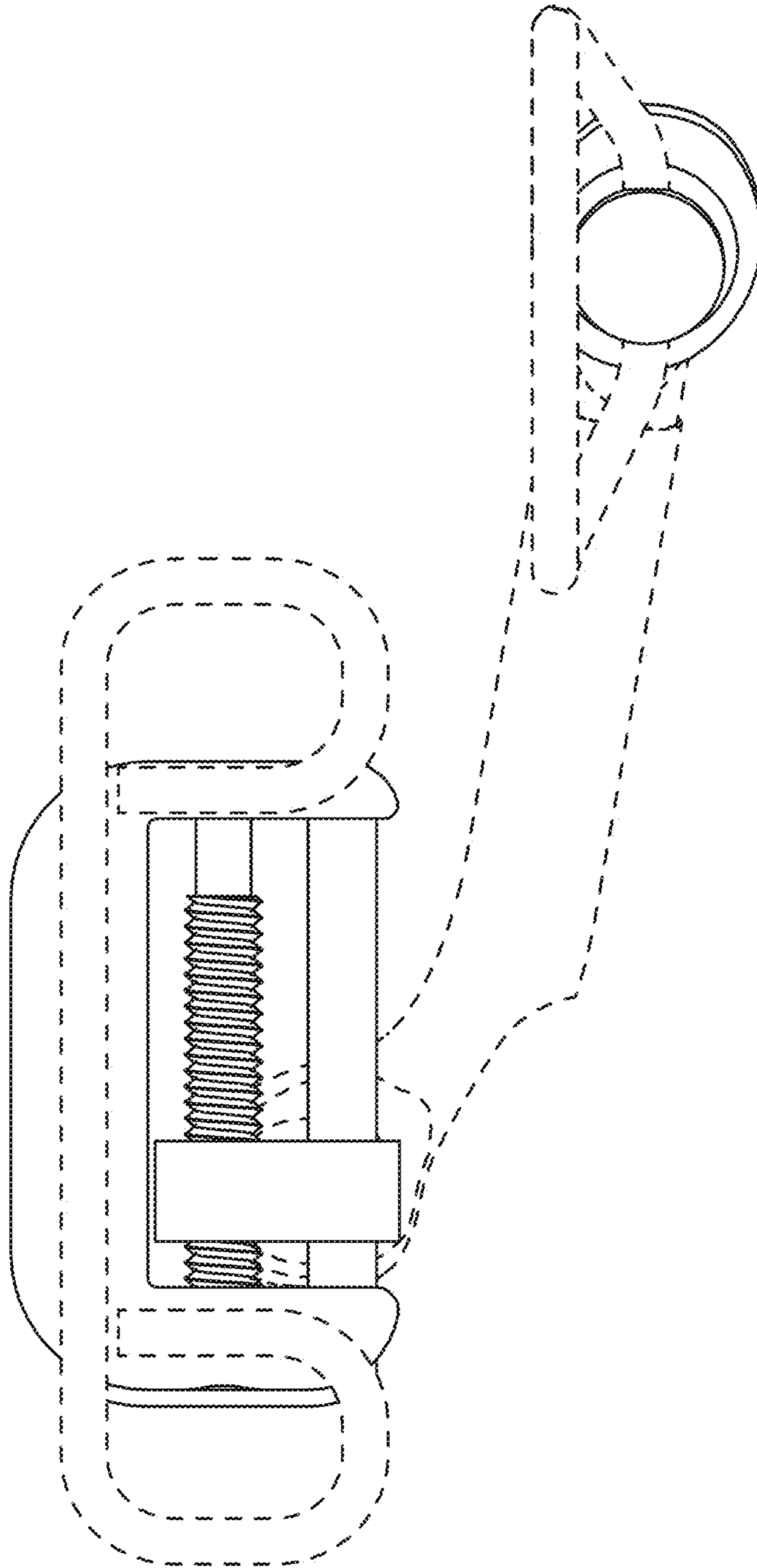


FIG.68

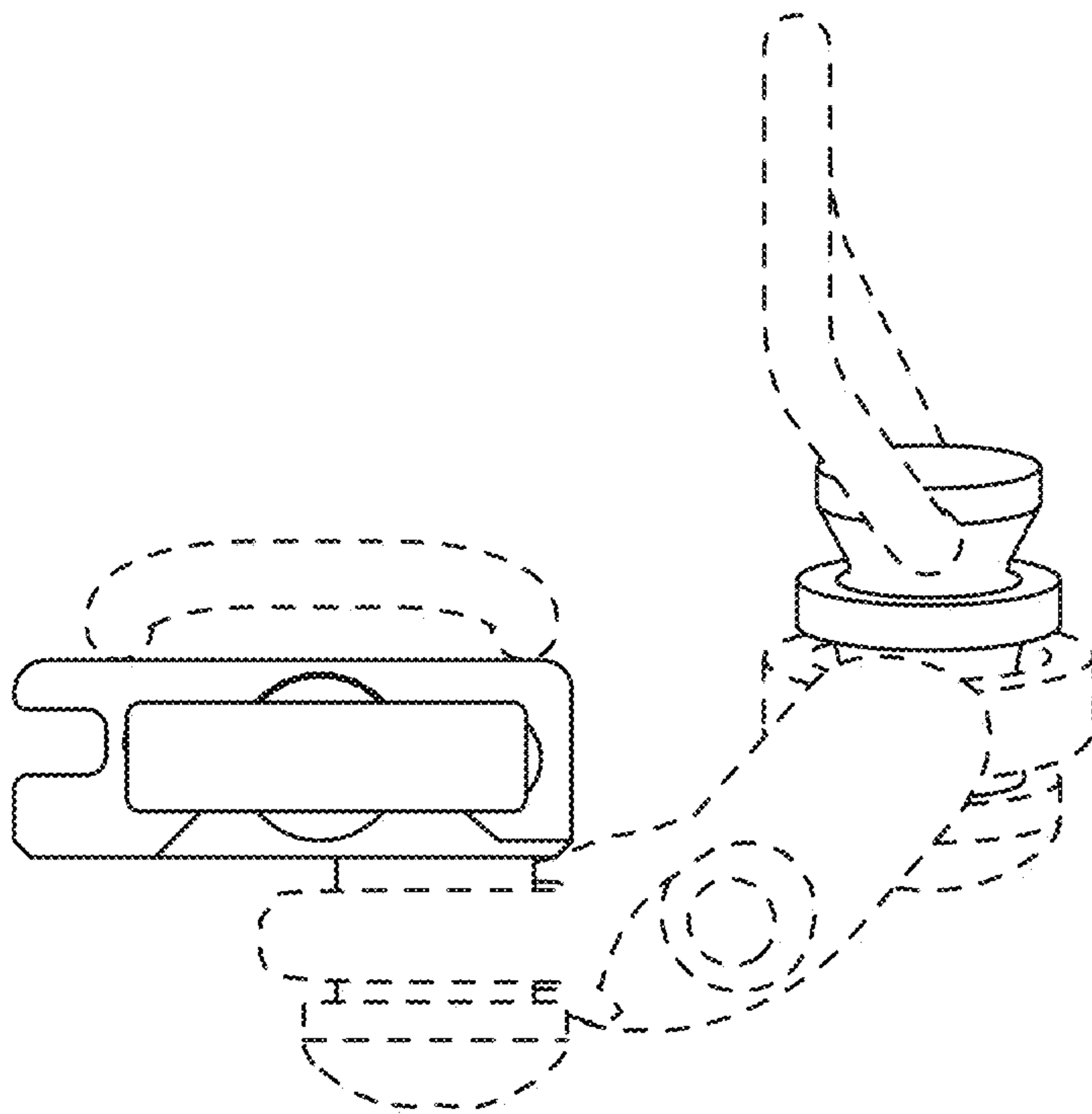


FIG.69

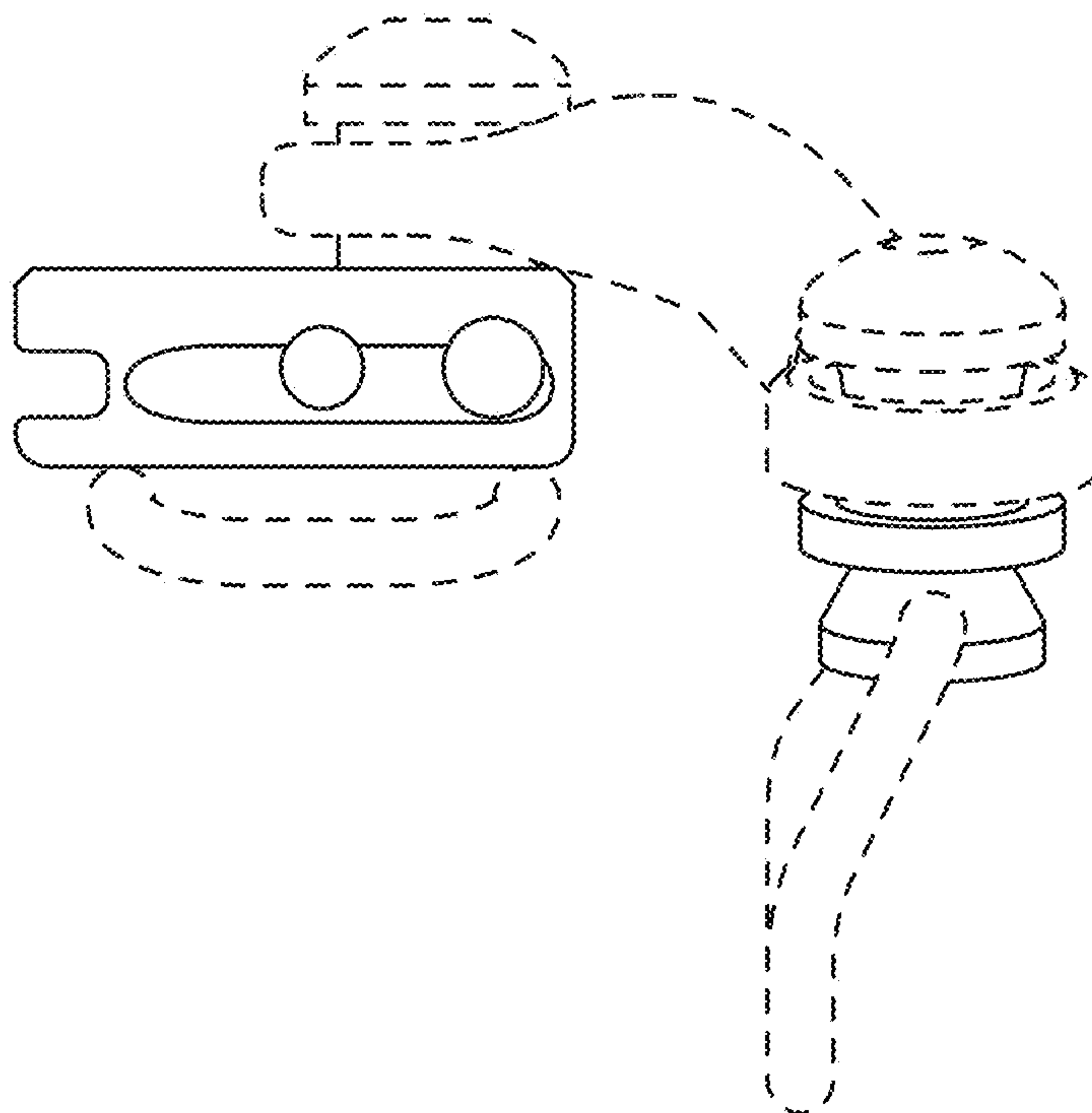


FIG. 70

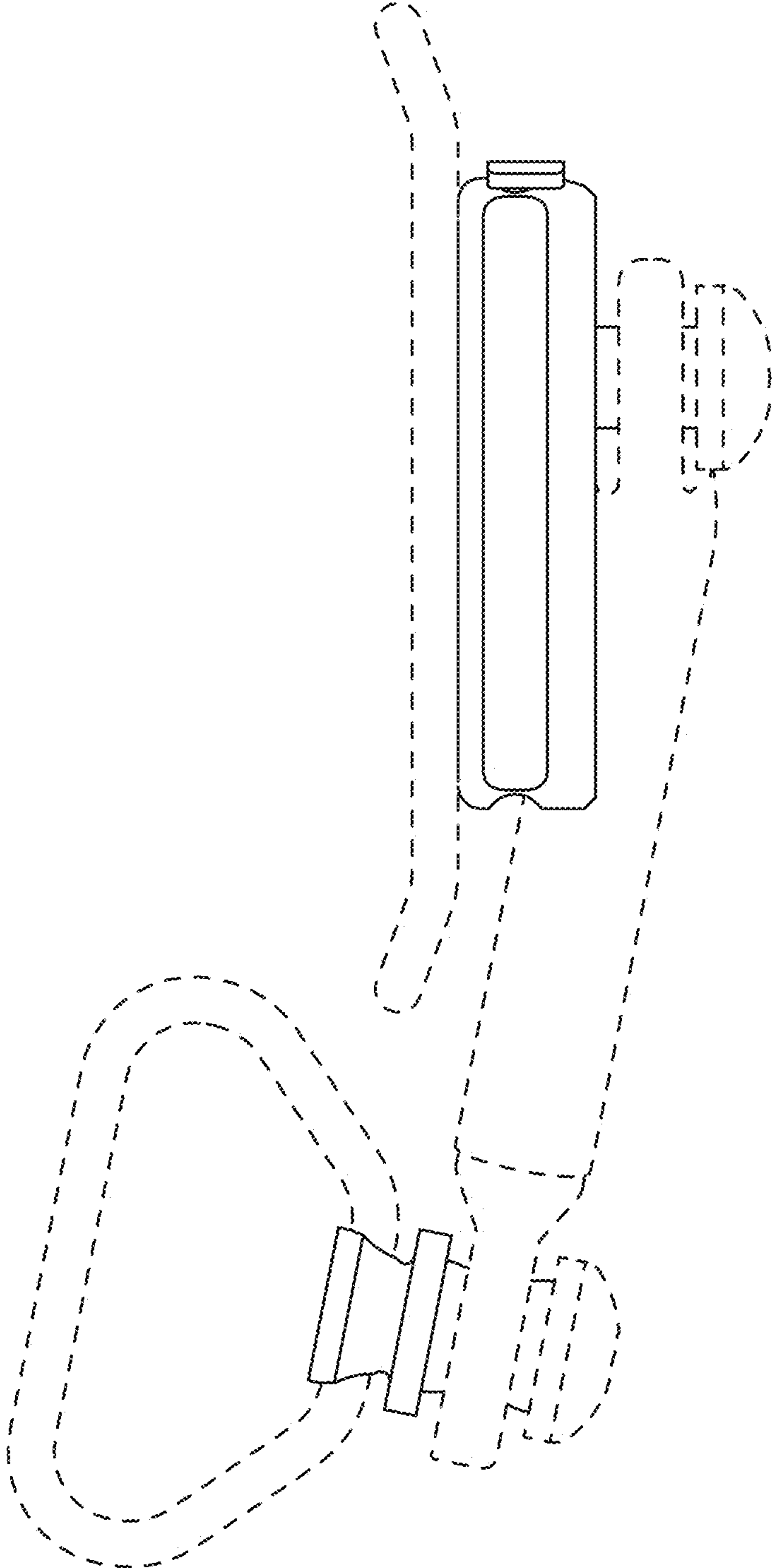


FIG.71

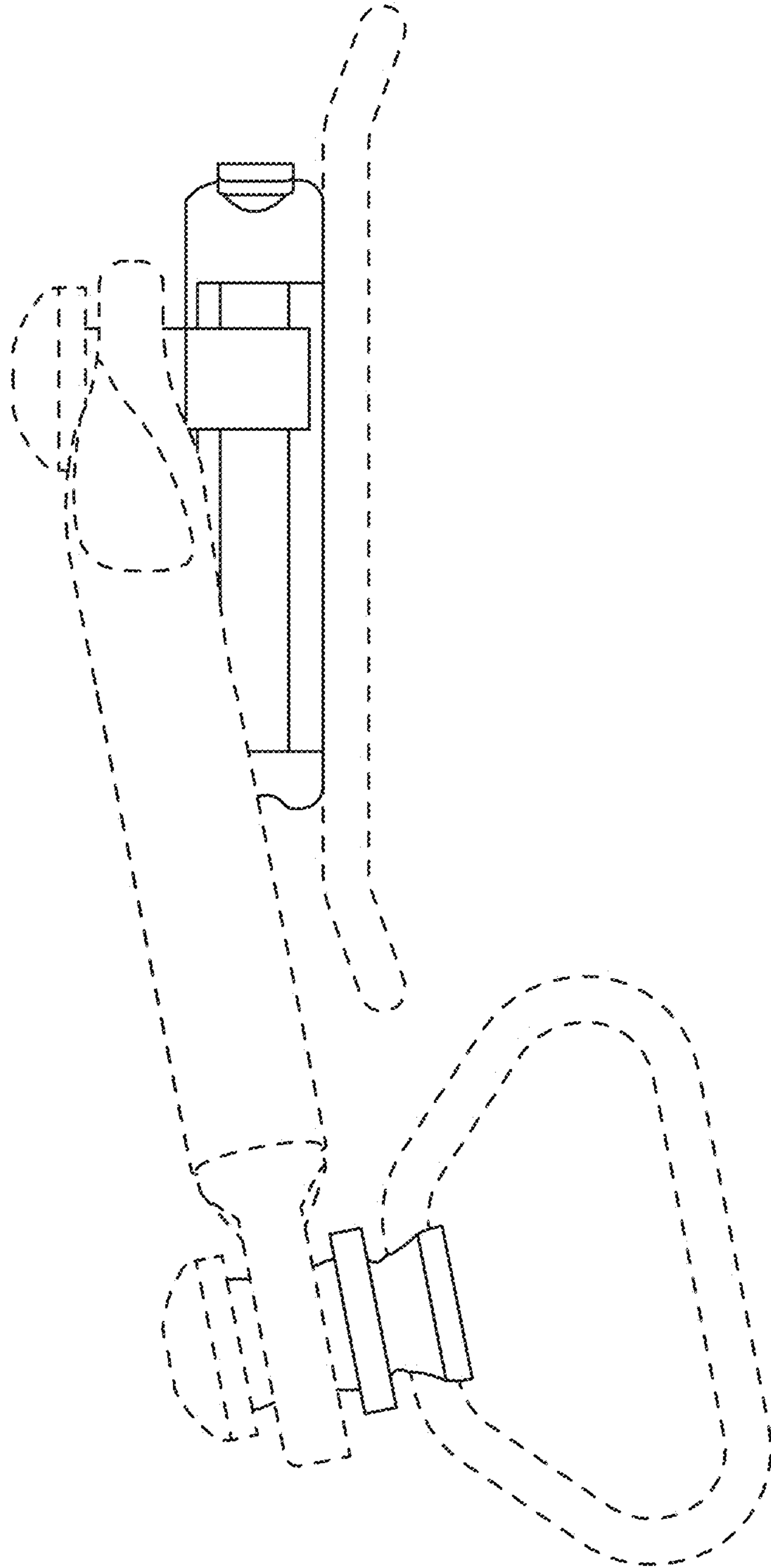


FIG.72

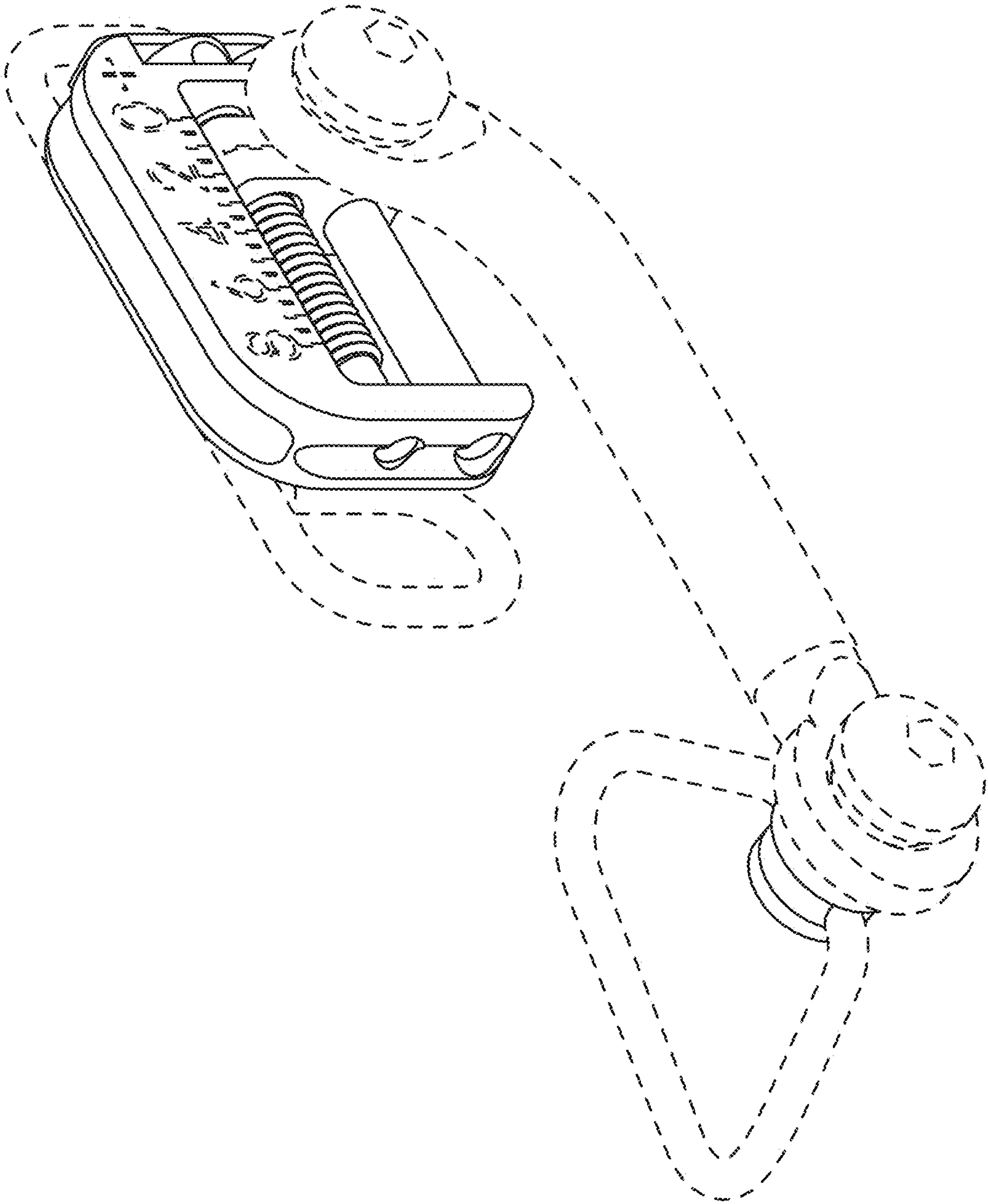


FIG. 73

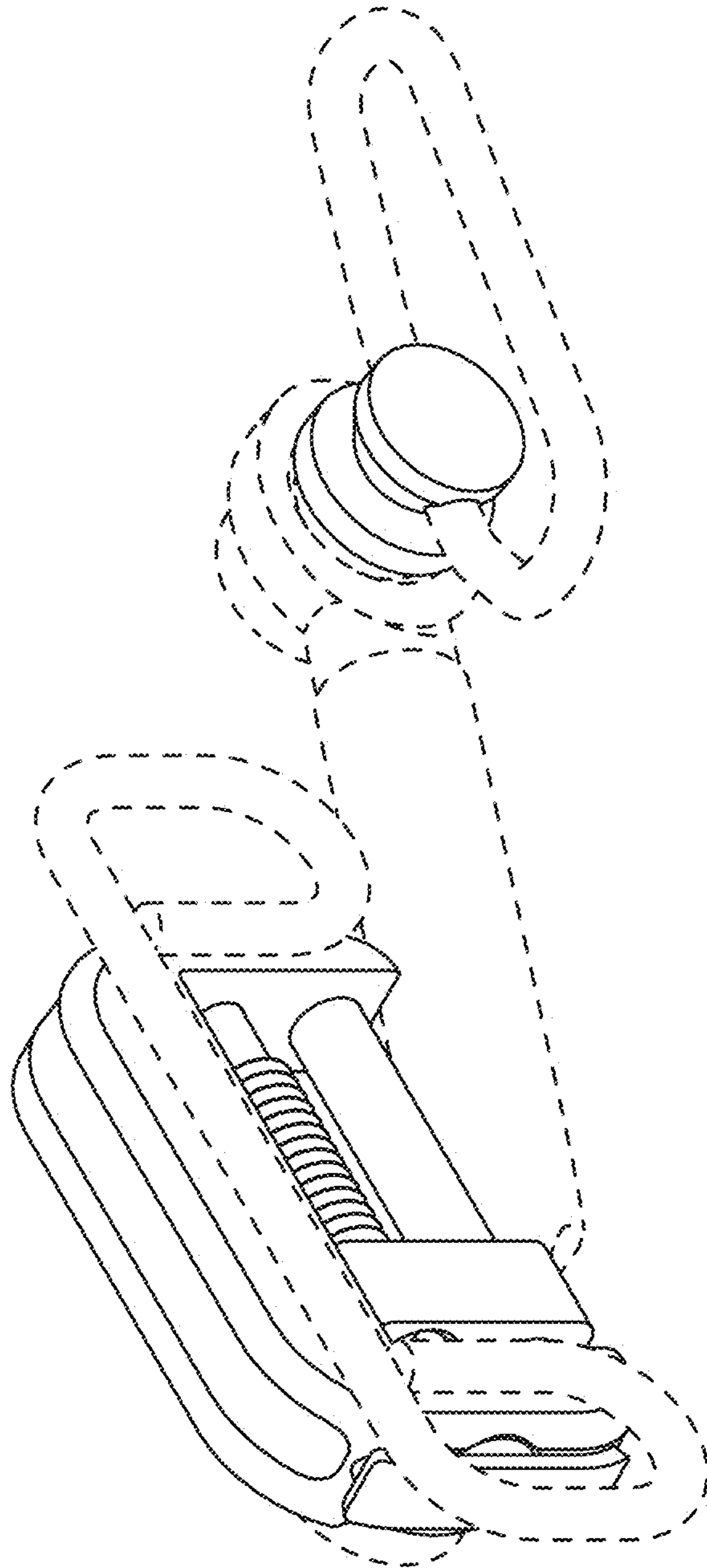


FIG.74

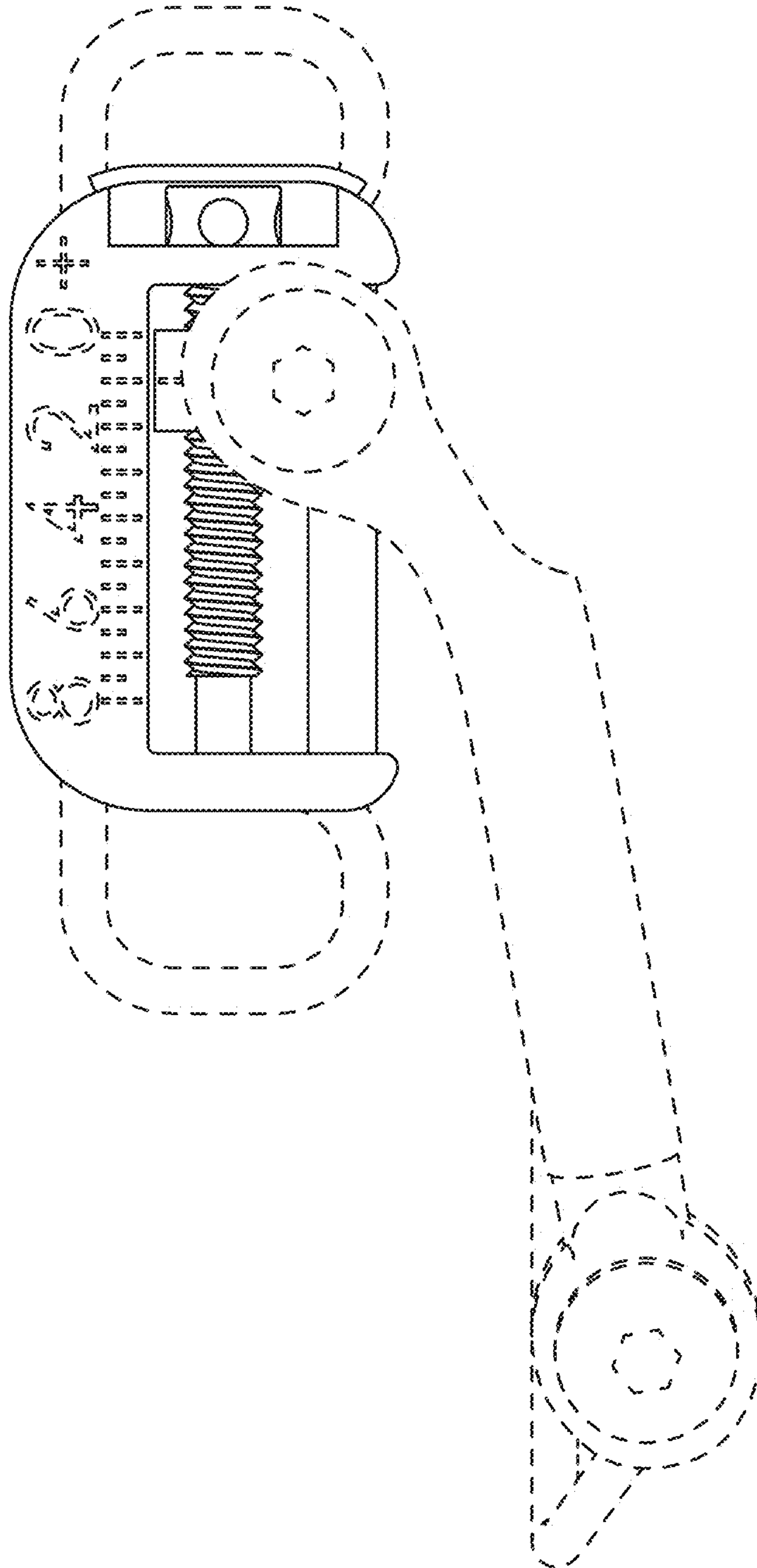


FIG.75

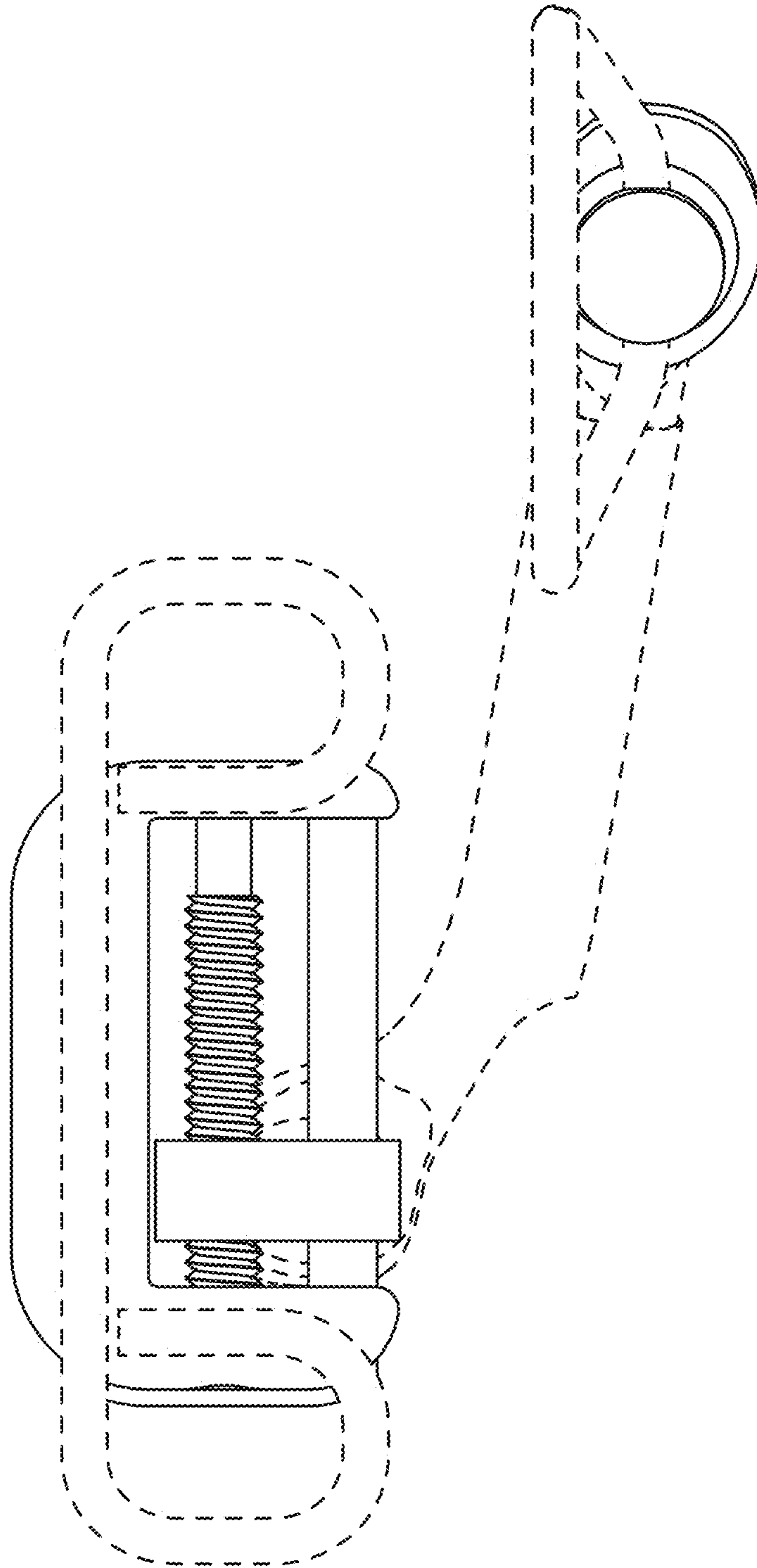


FIG.76

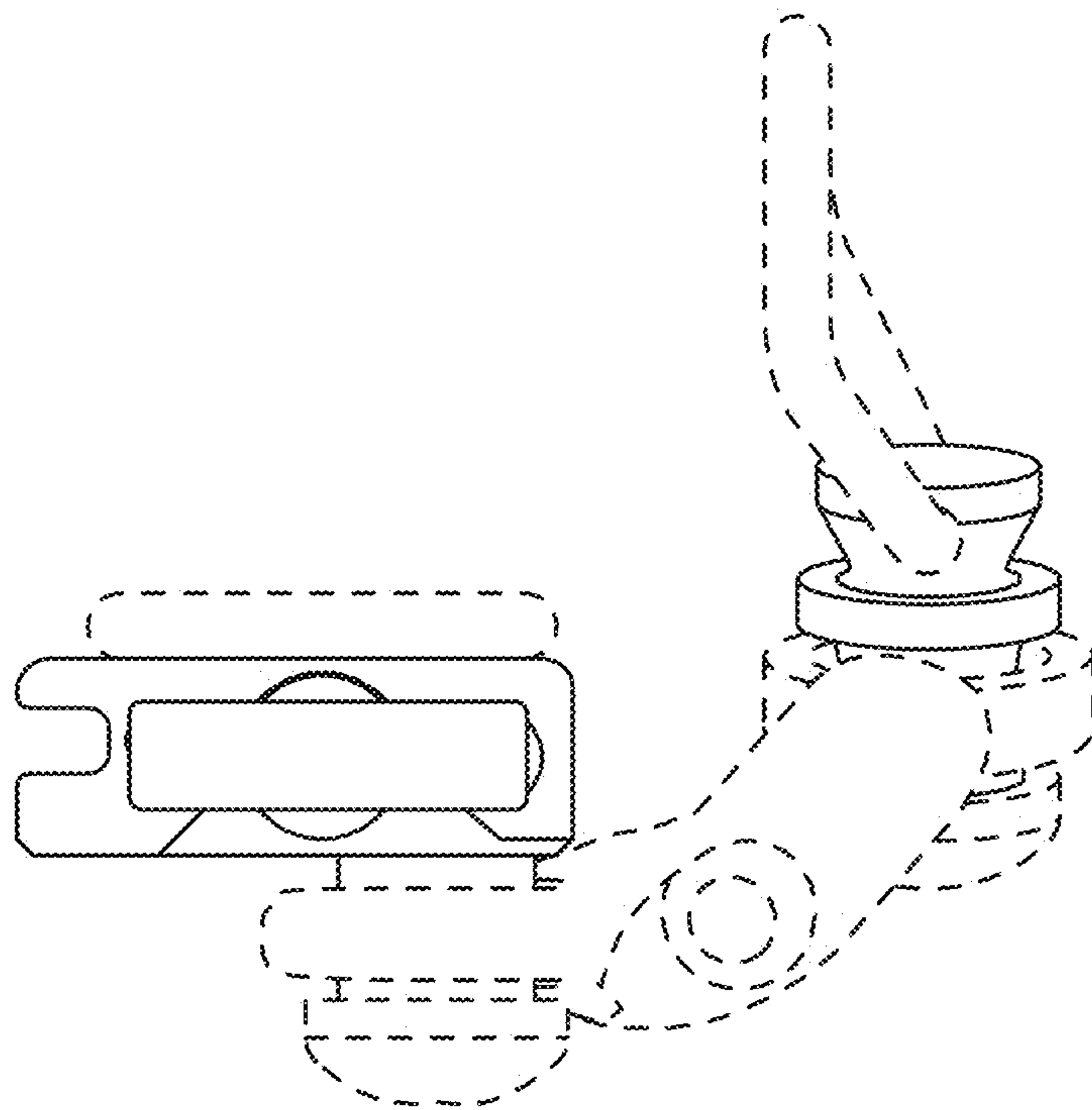


FIG.77

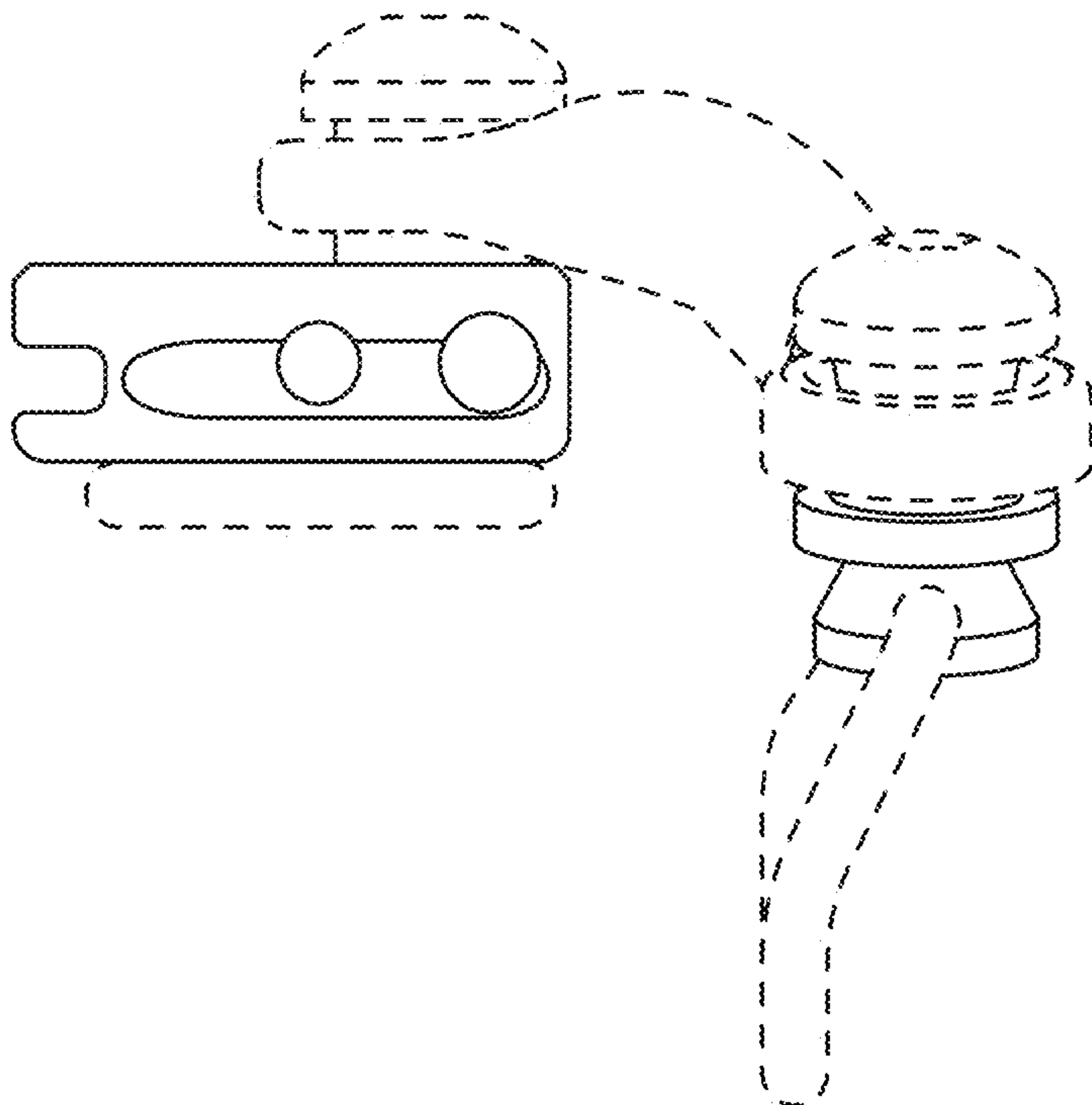


FIG. 78

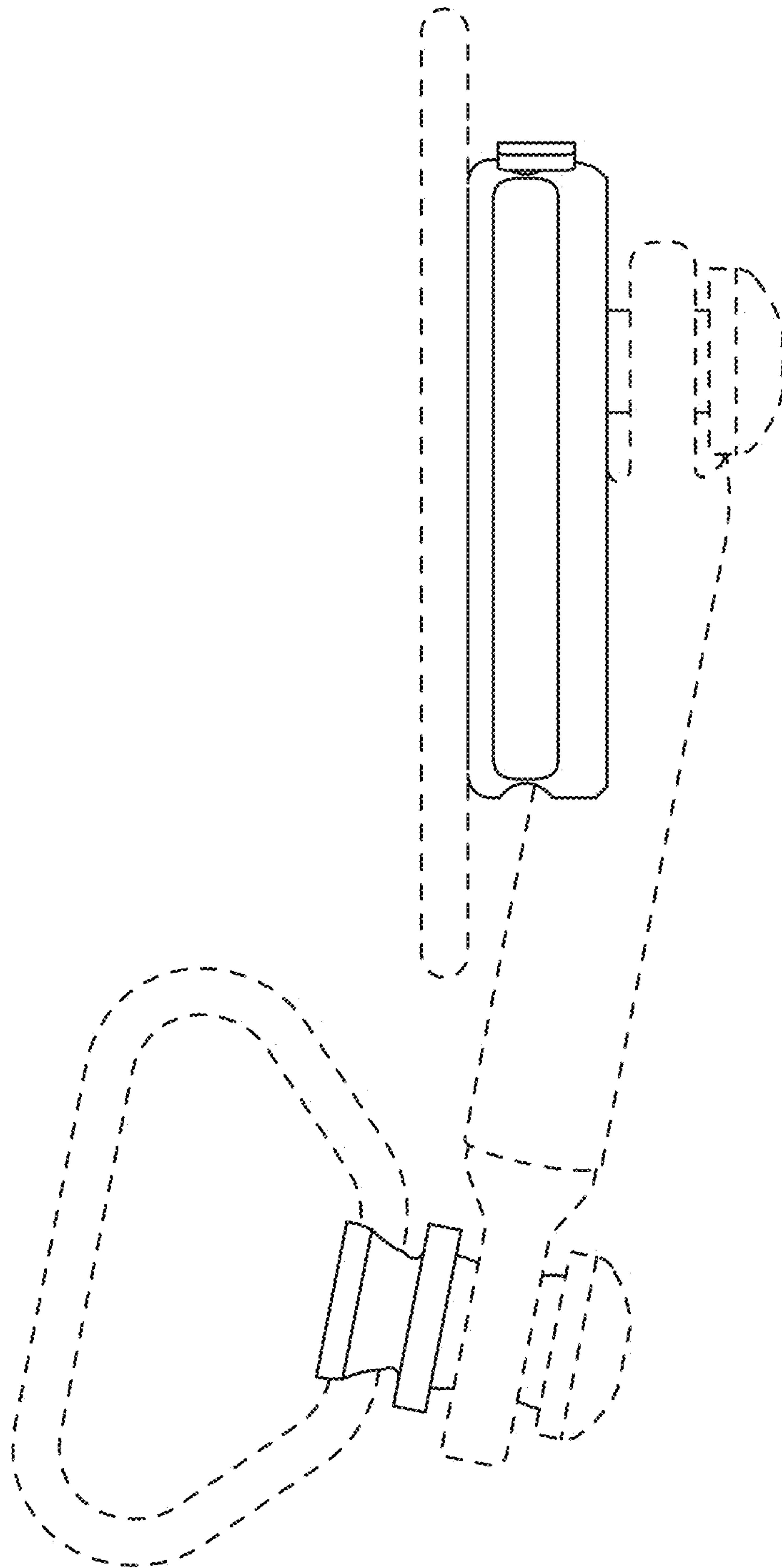


FIG. 79

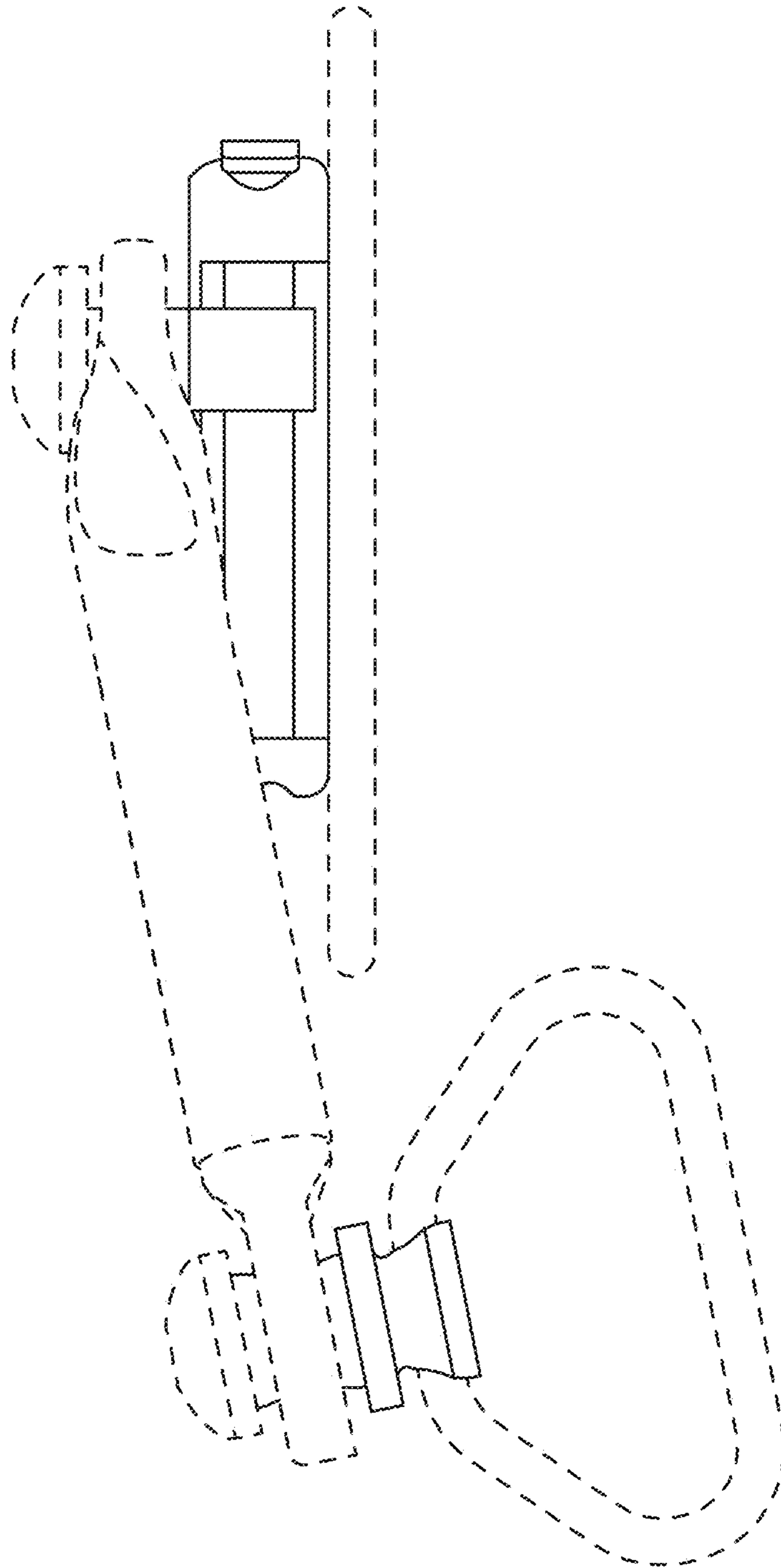


FIG.80

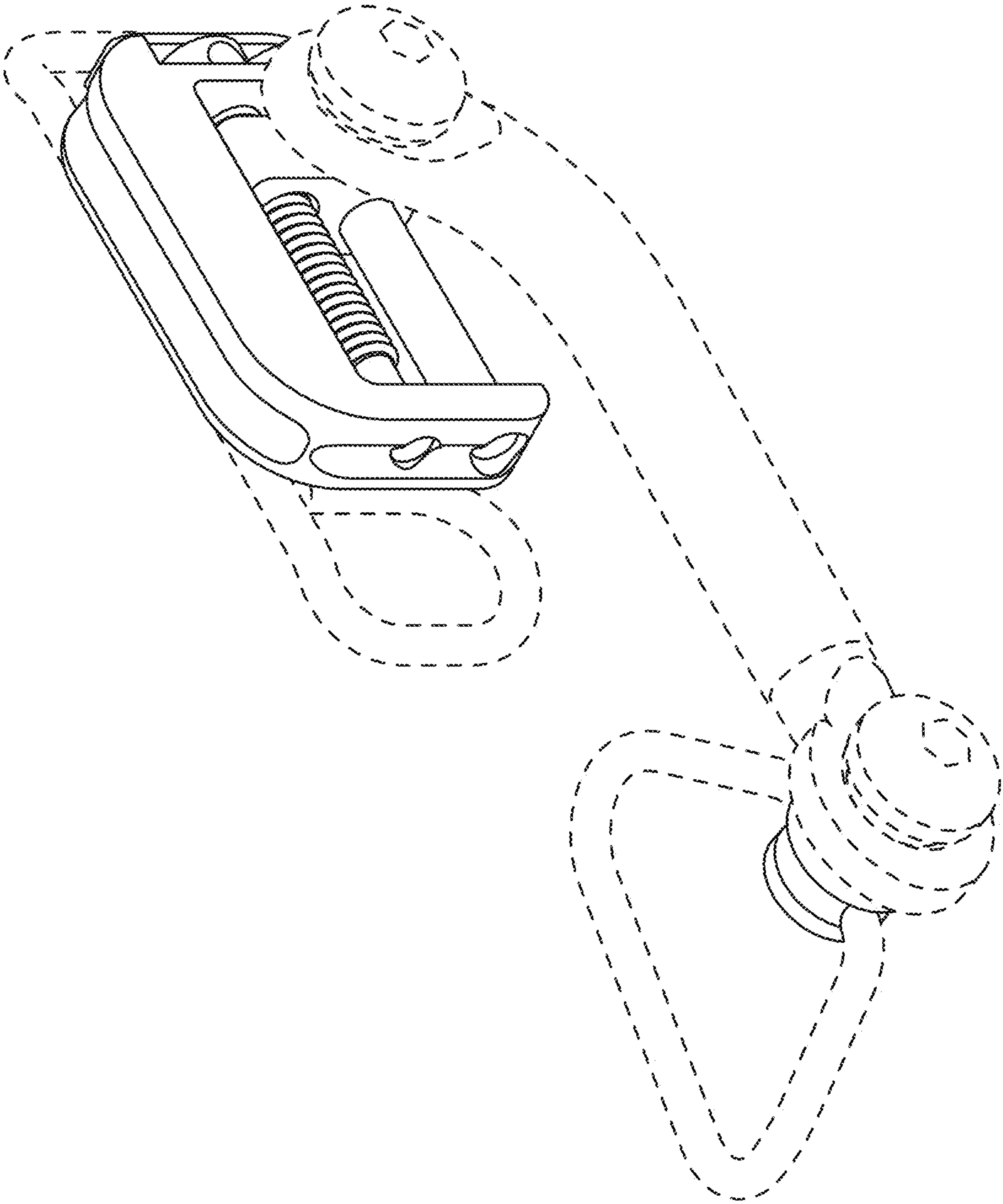


FIG.81

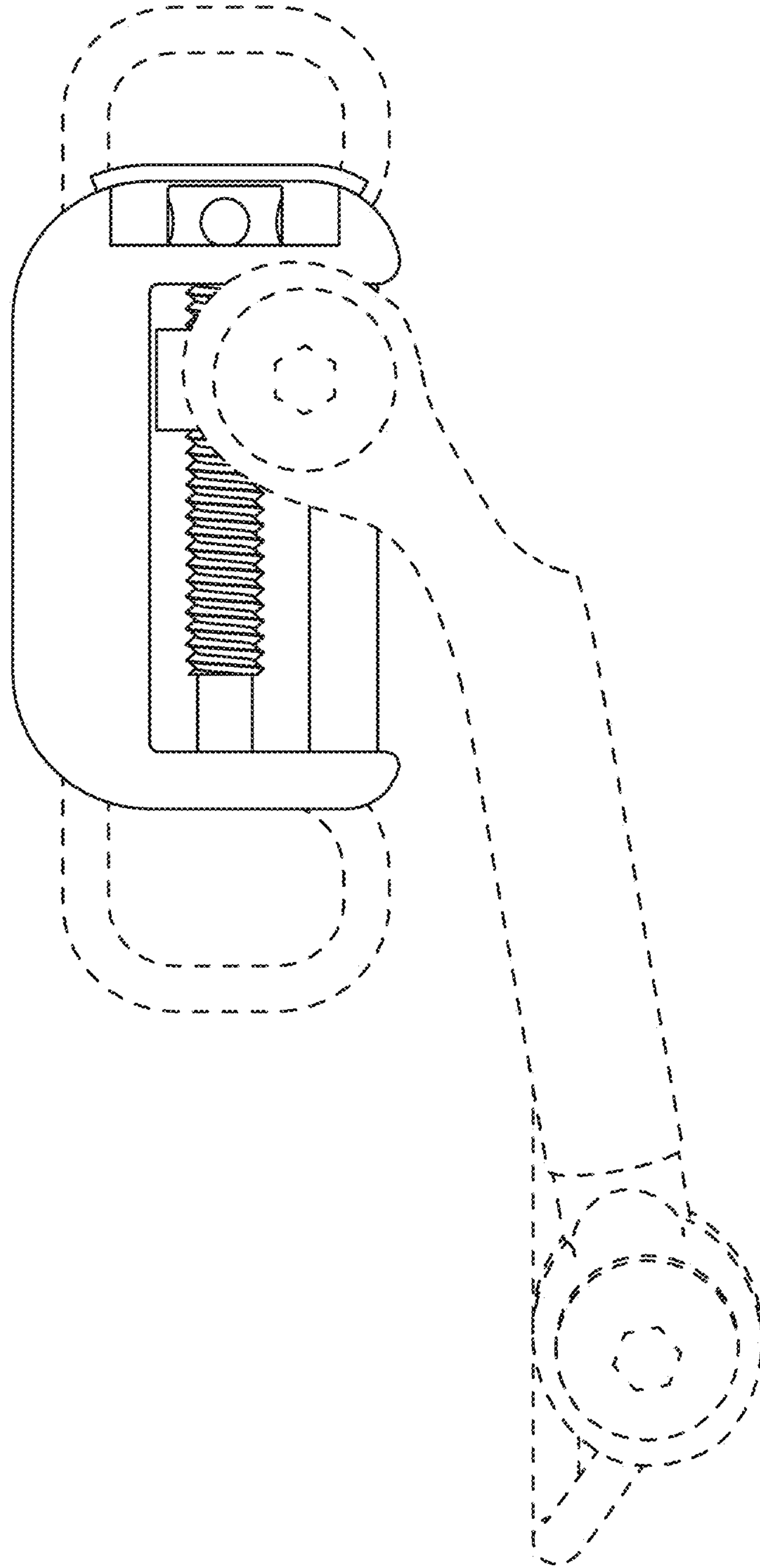


FIG.82

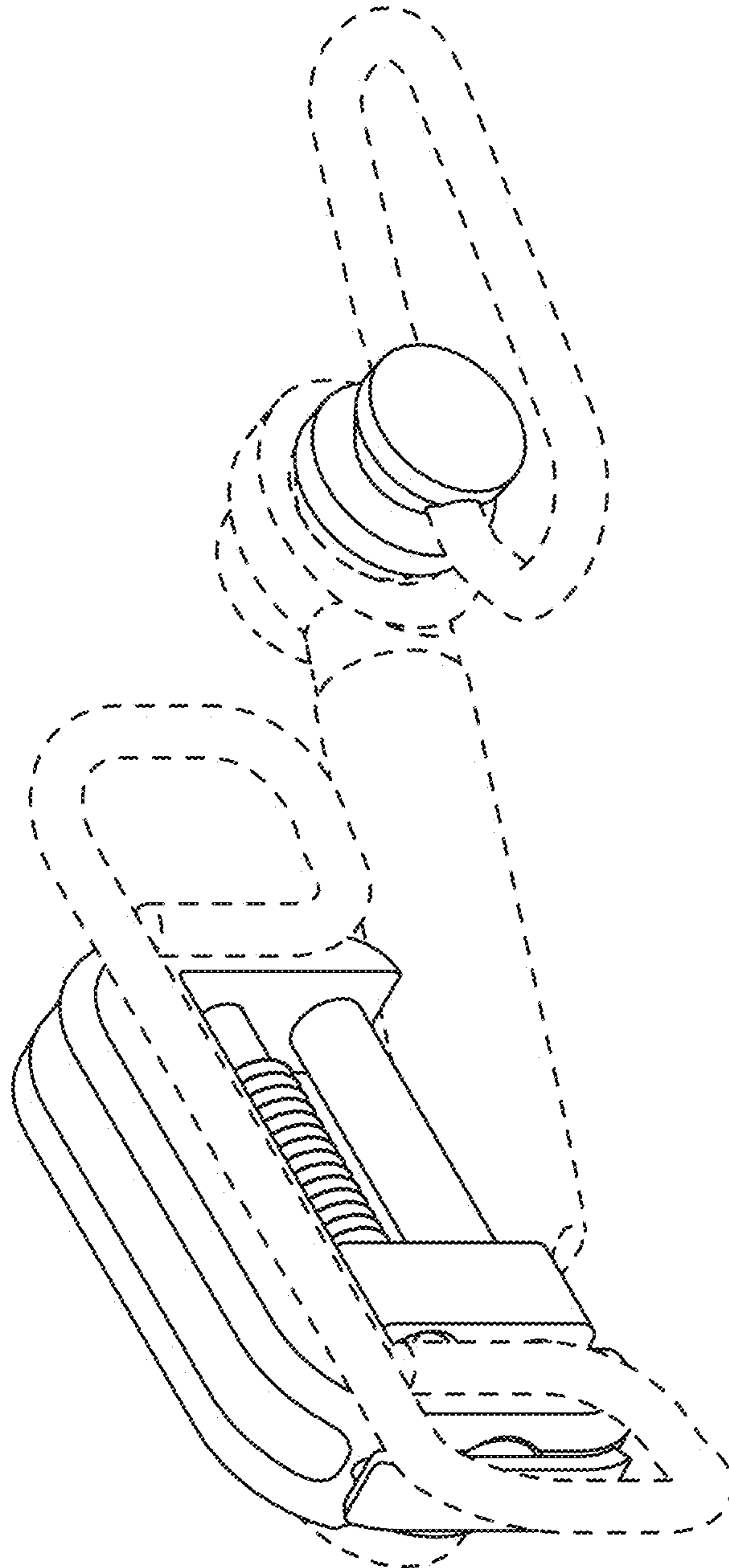


FIG. 83

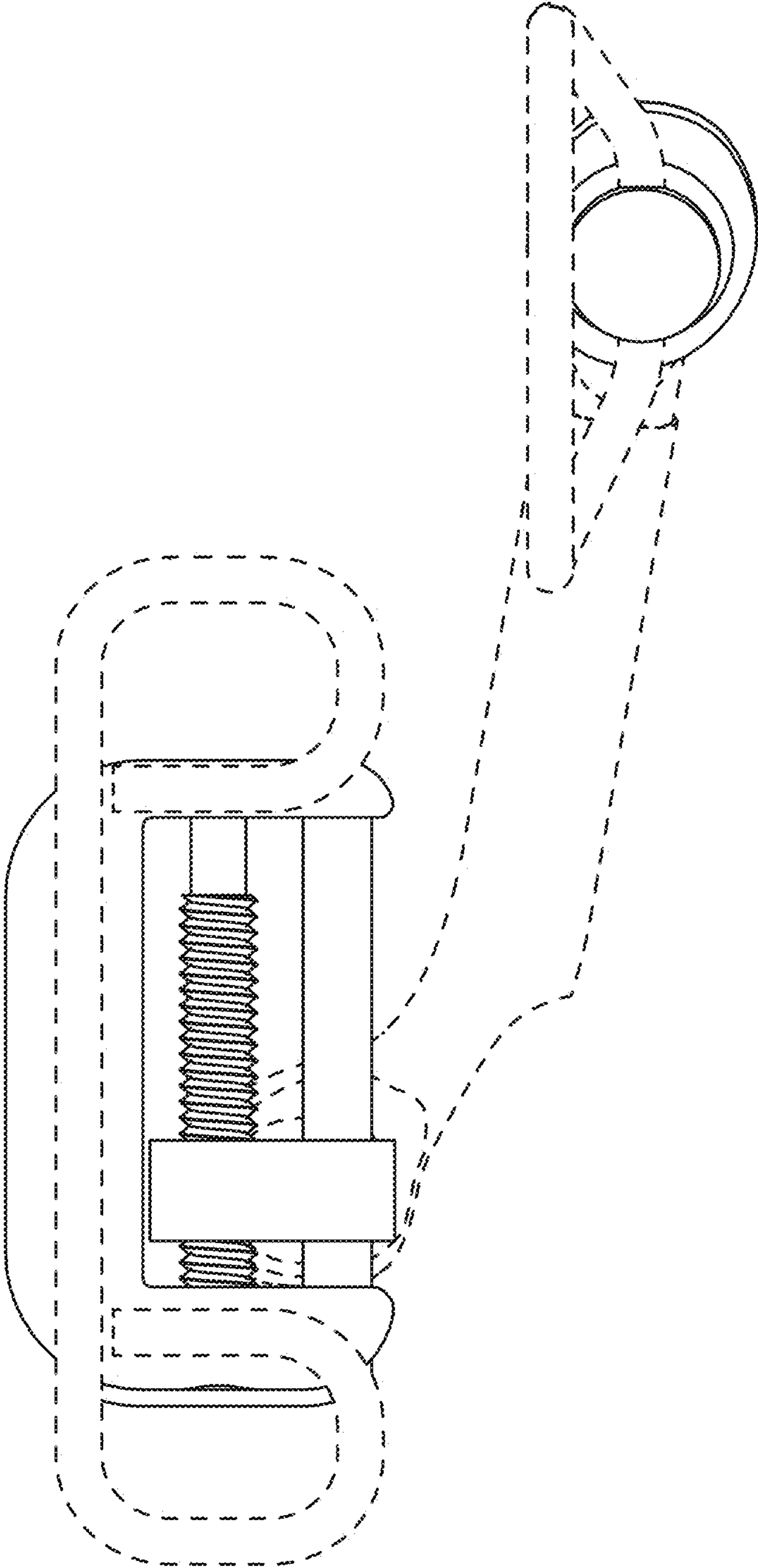


FIG.84

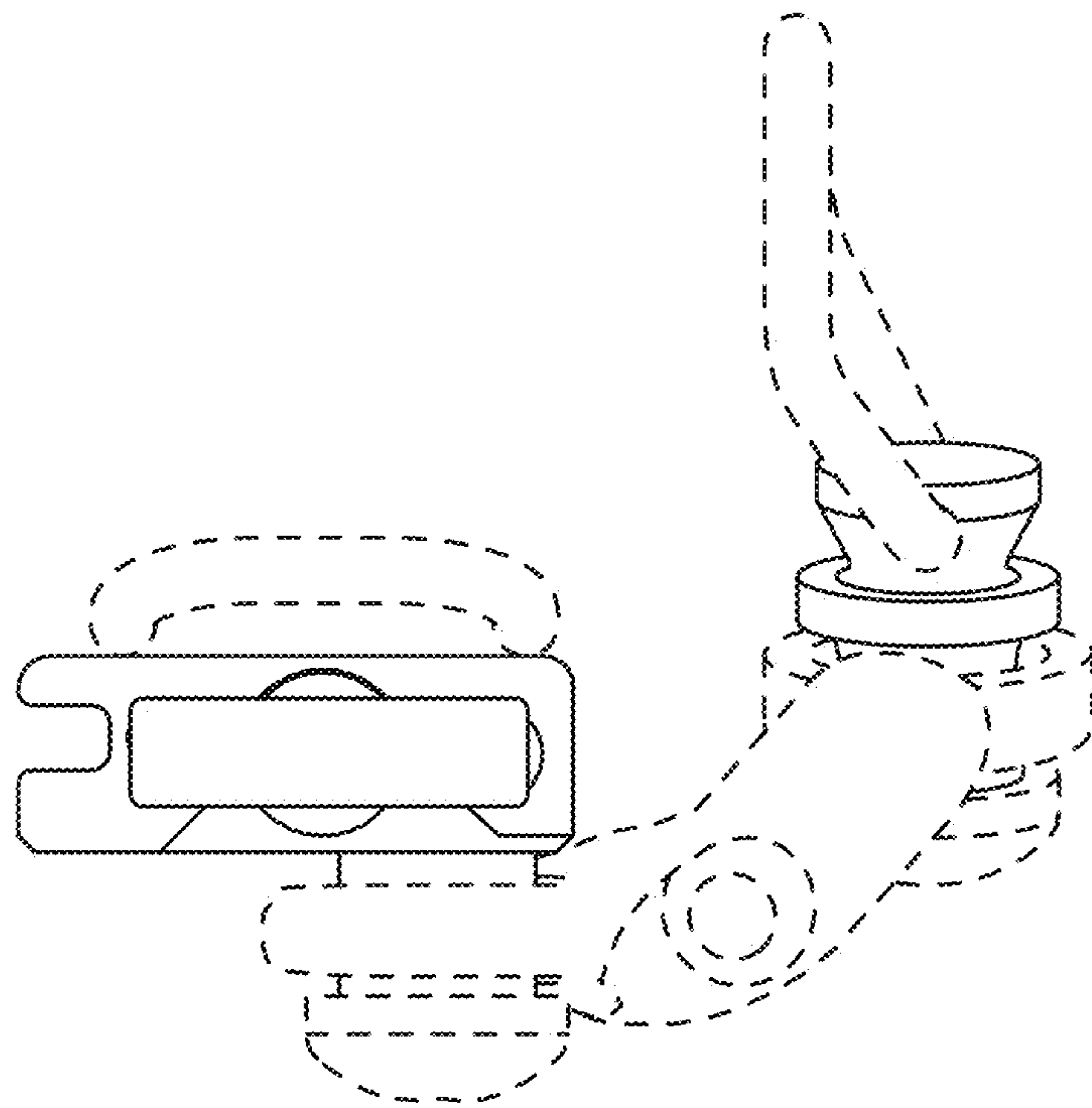


FIG.85

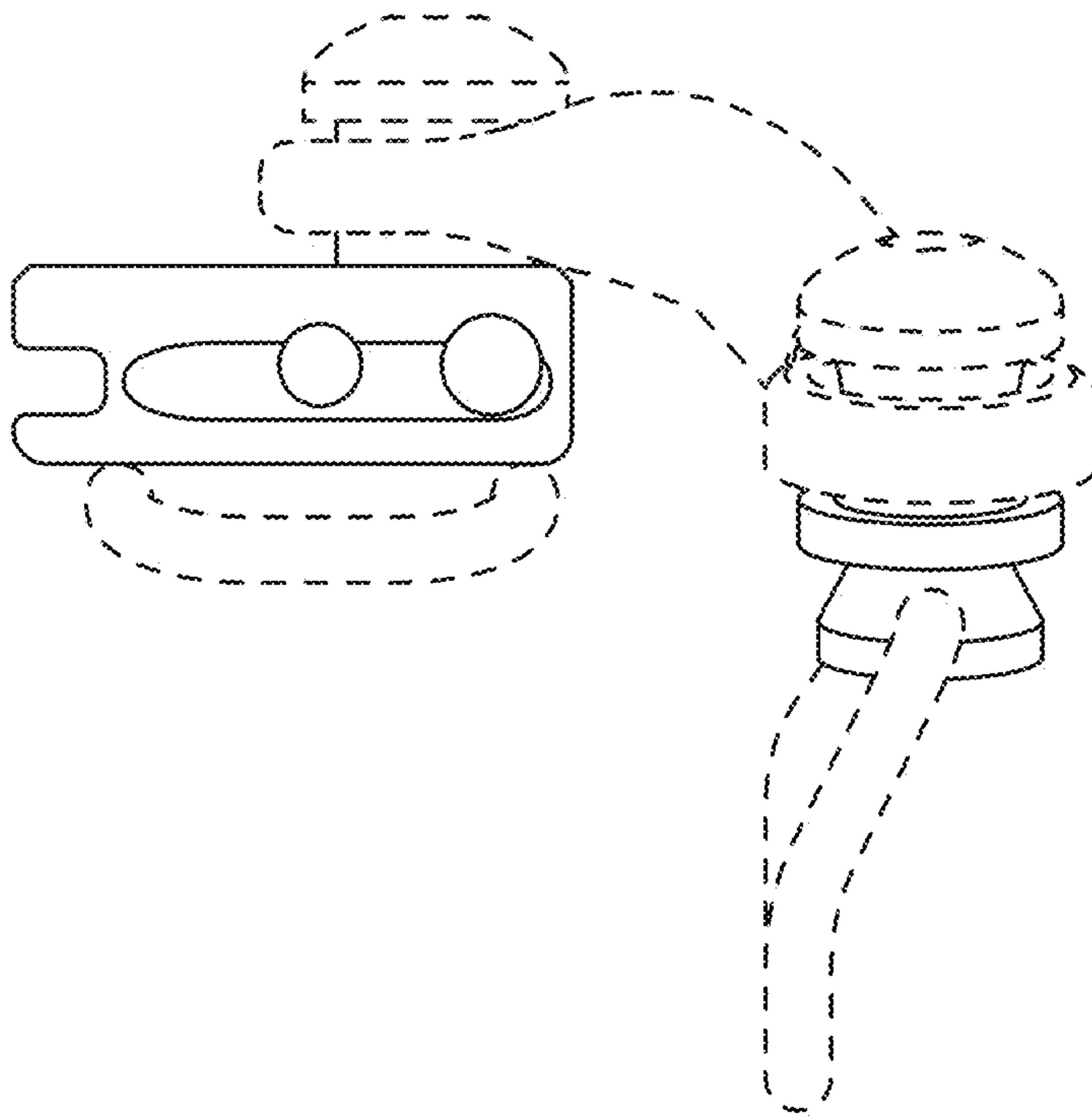


FIG.86

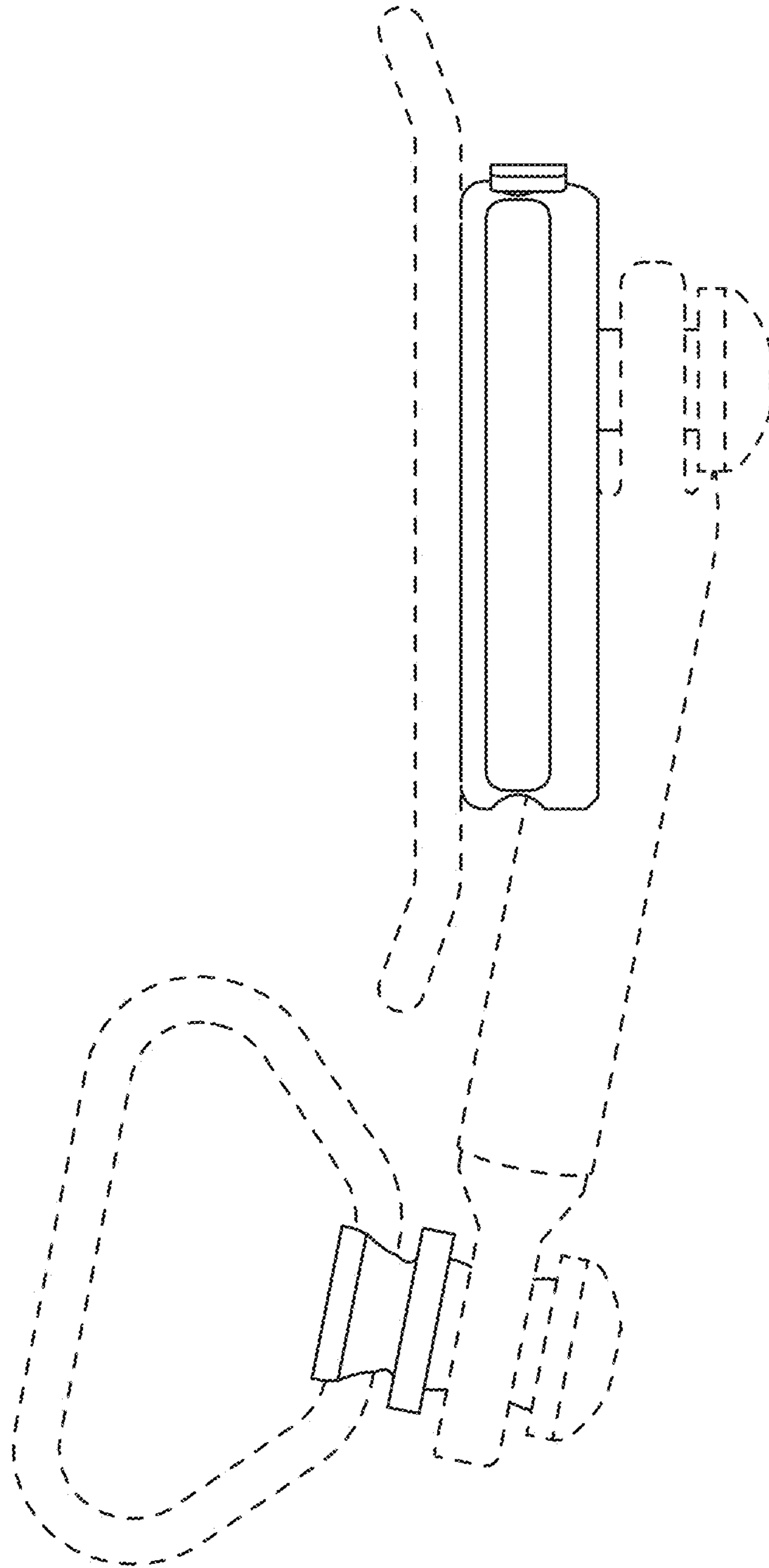


FIG.87

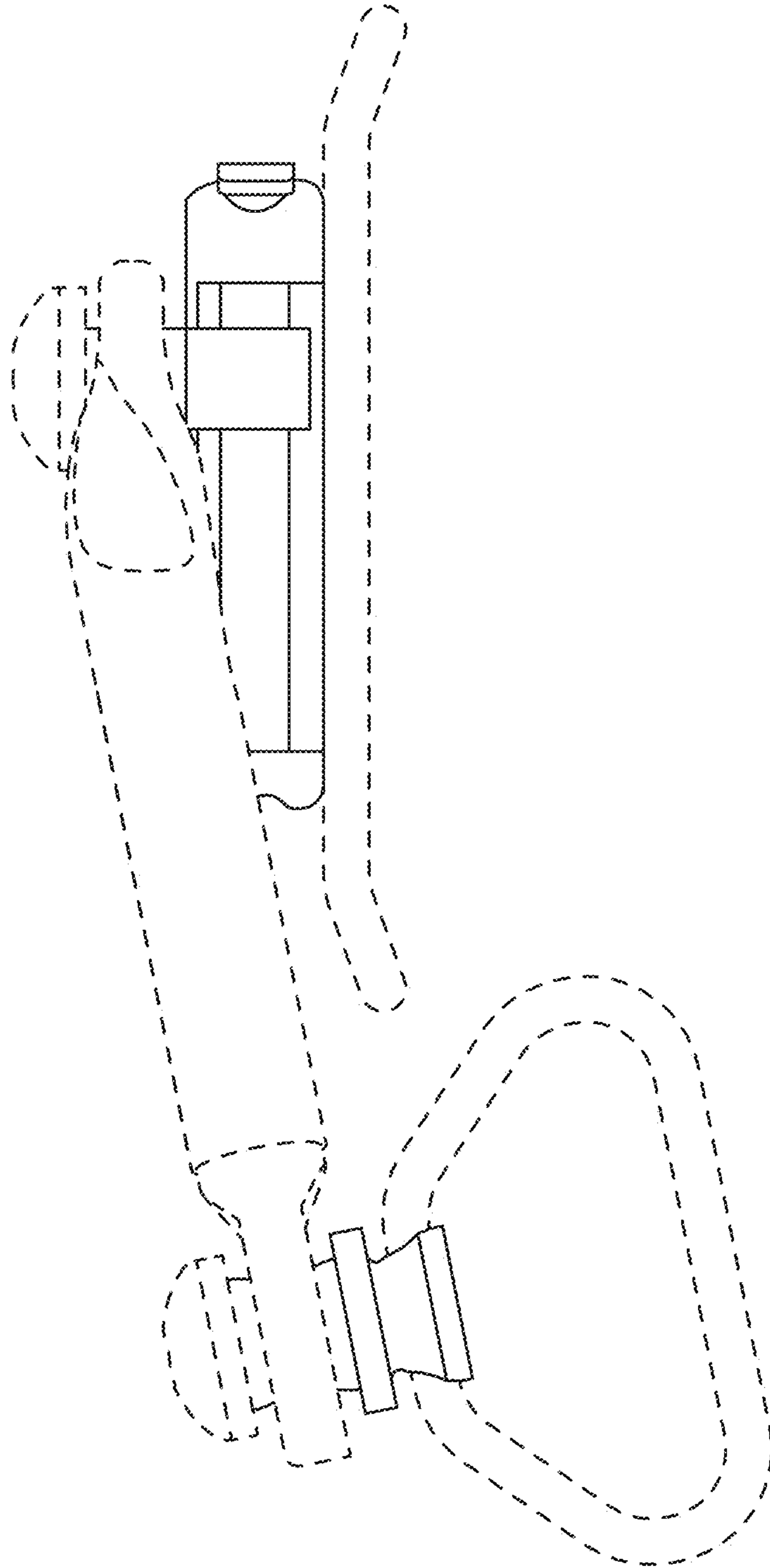


FIG.88

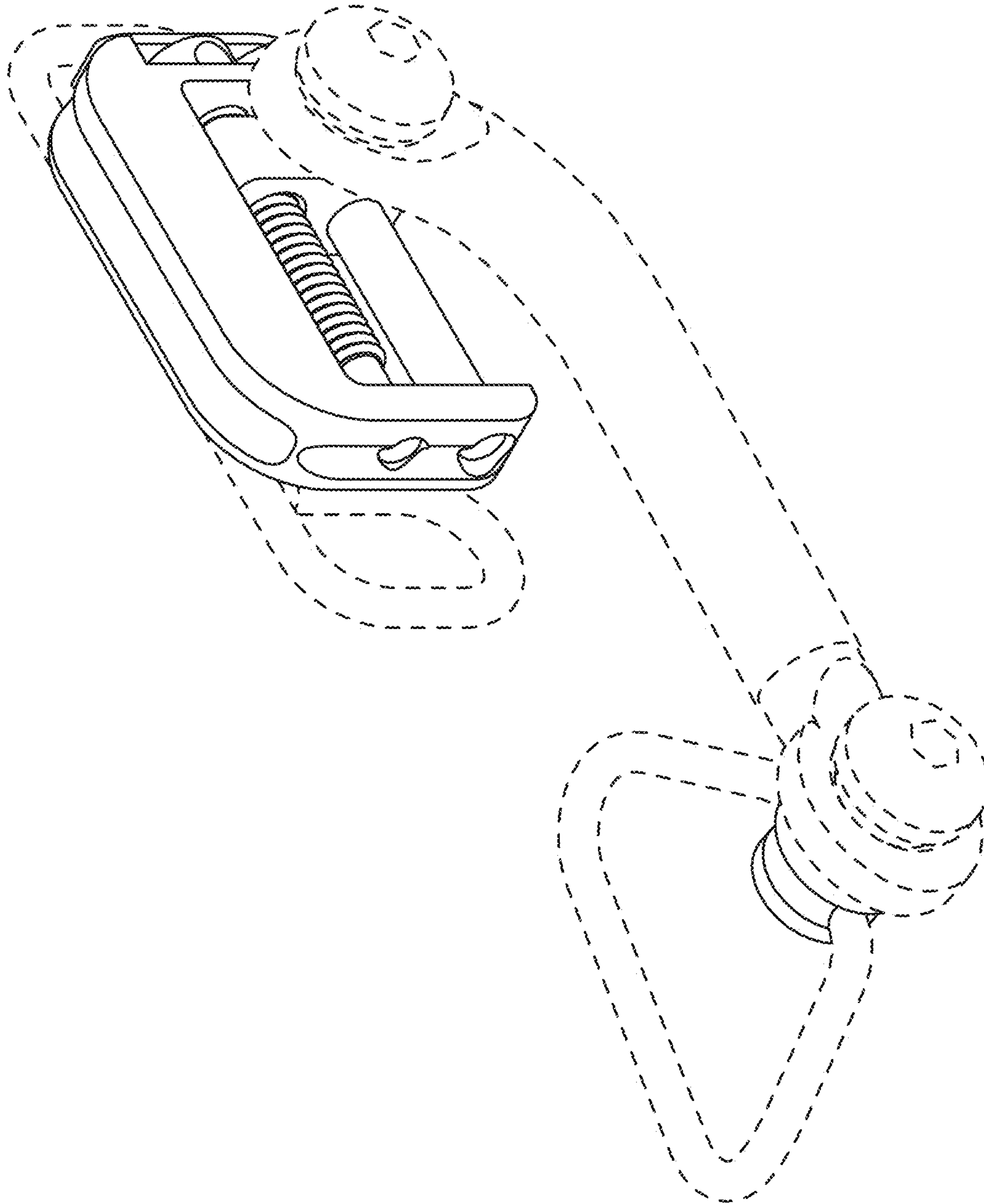


FIG. 89

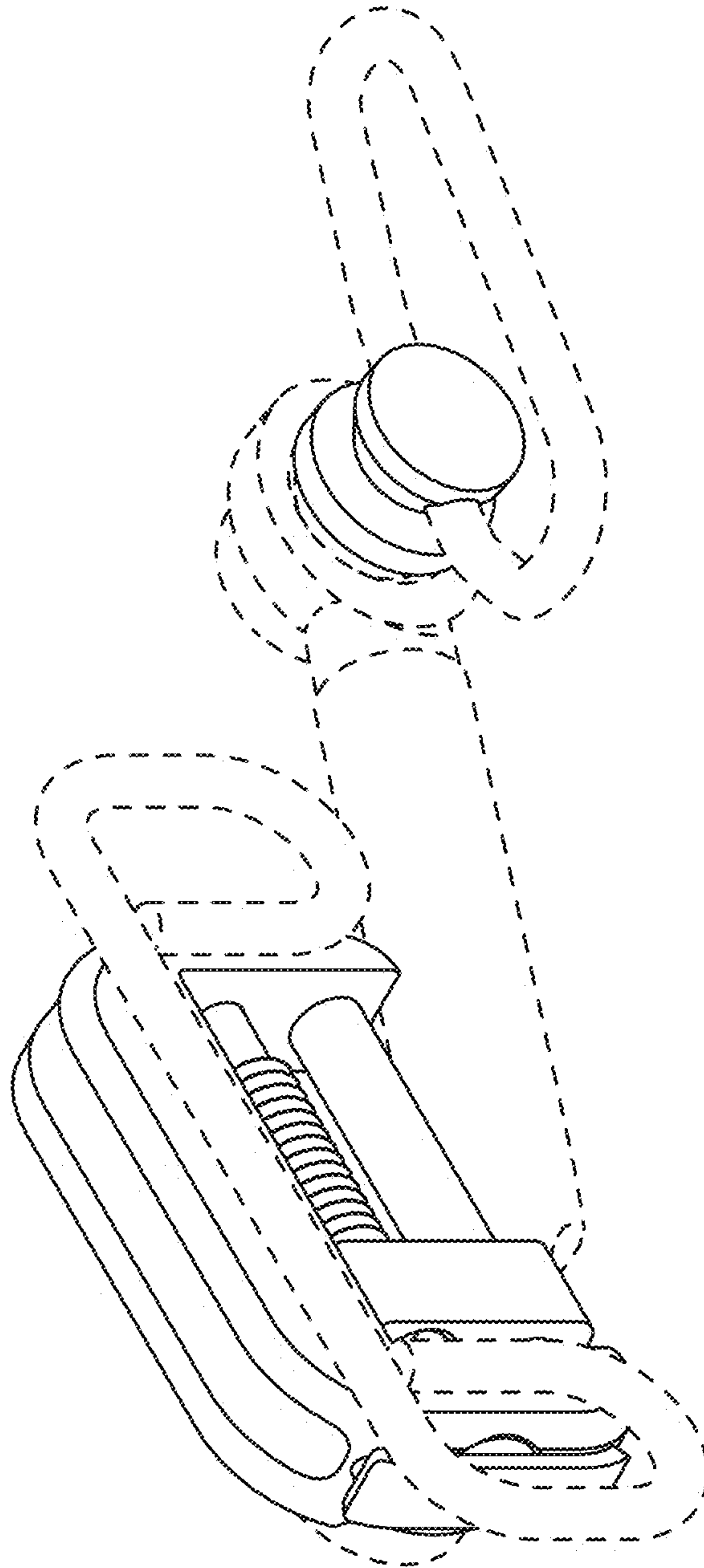


FIG.90

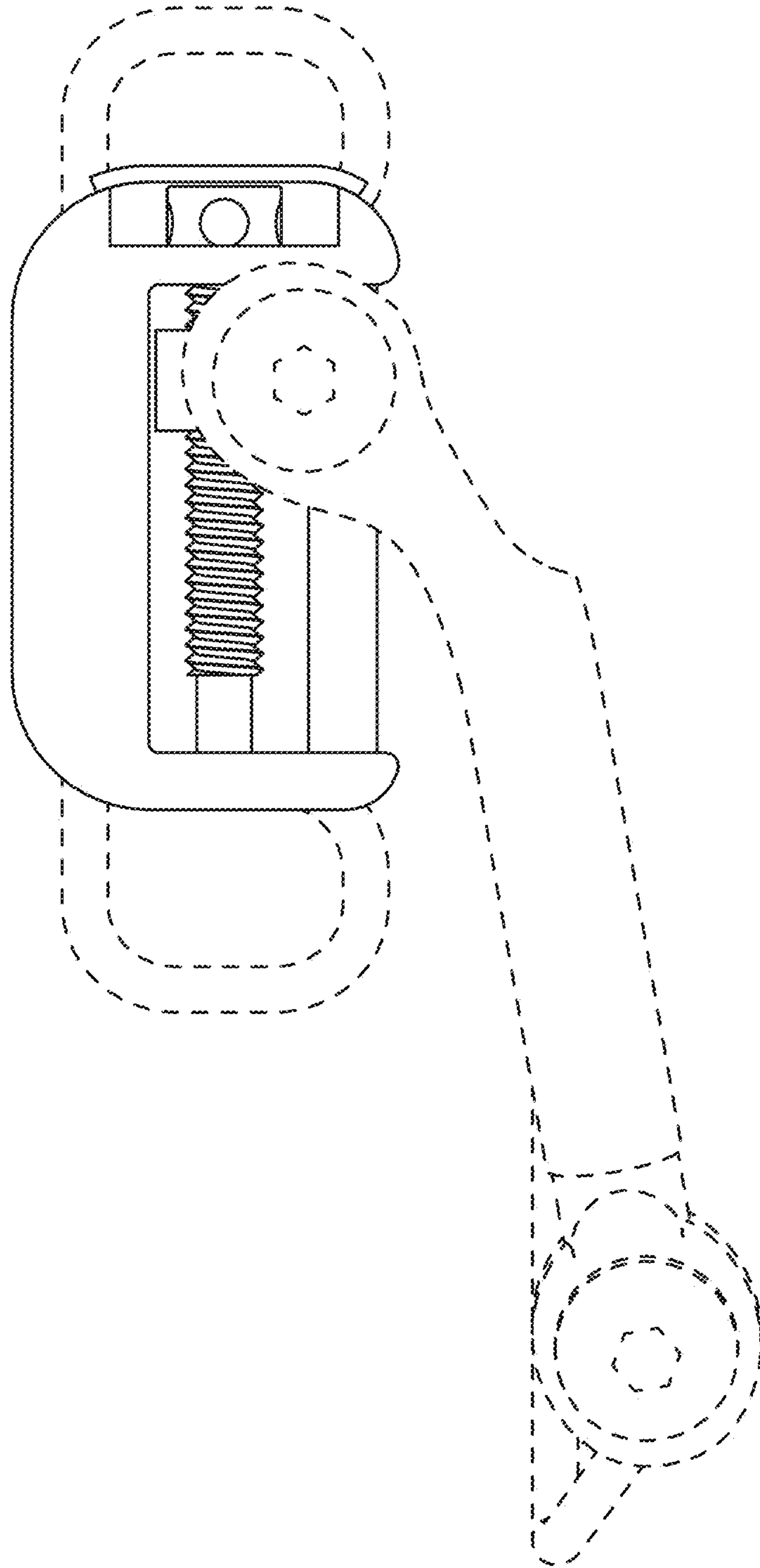


FIG.91

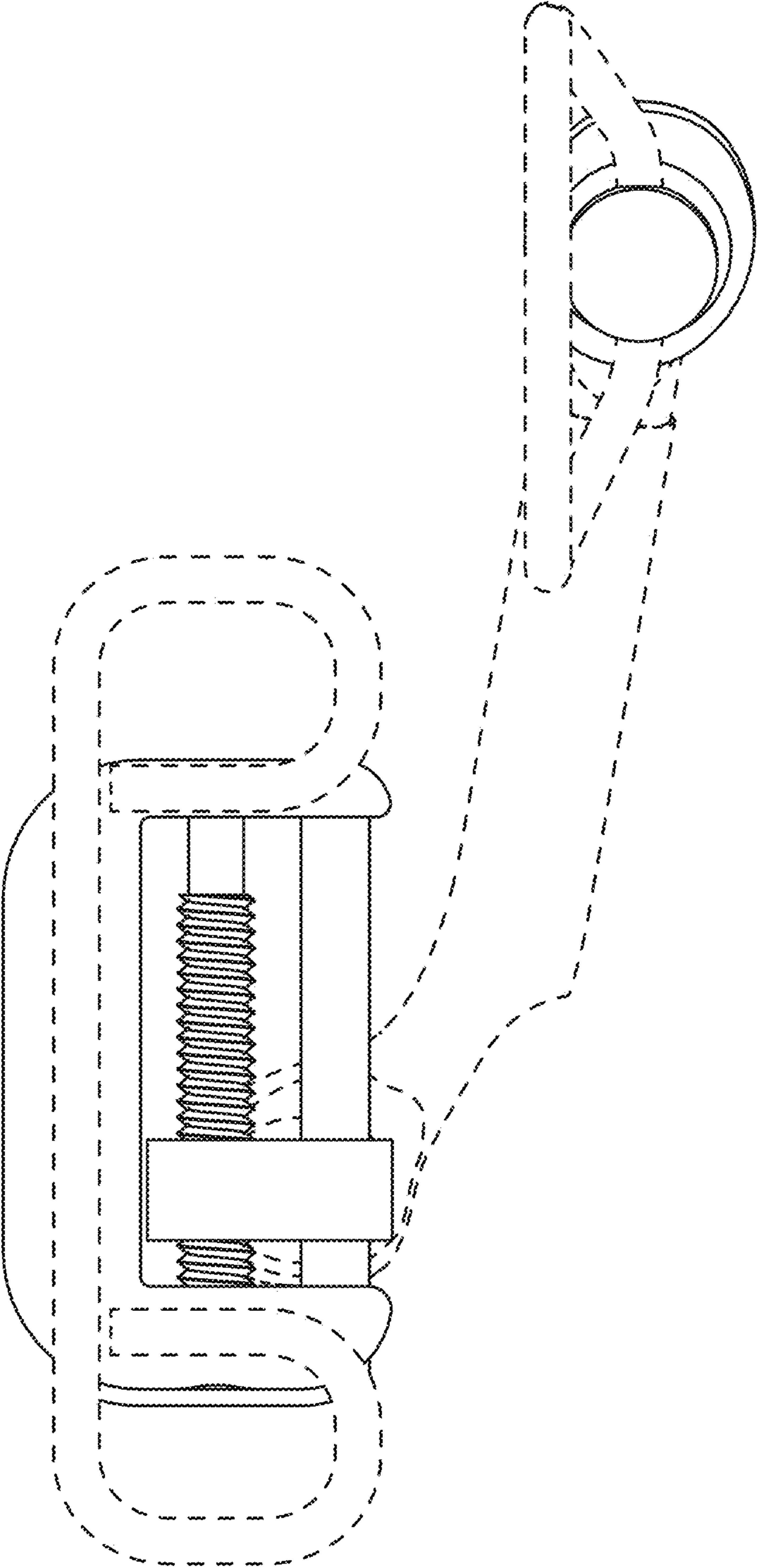


FIG.92

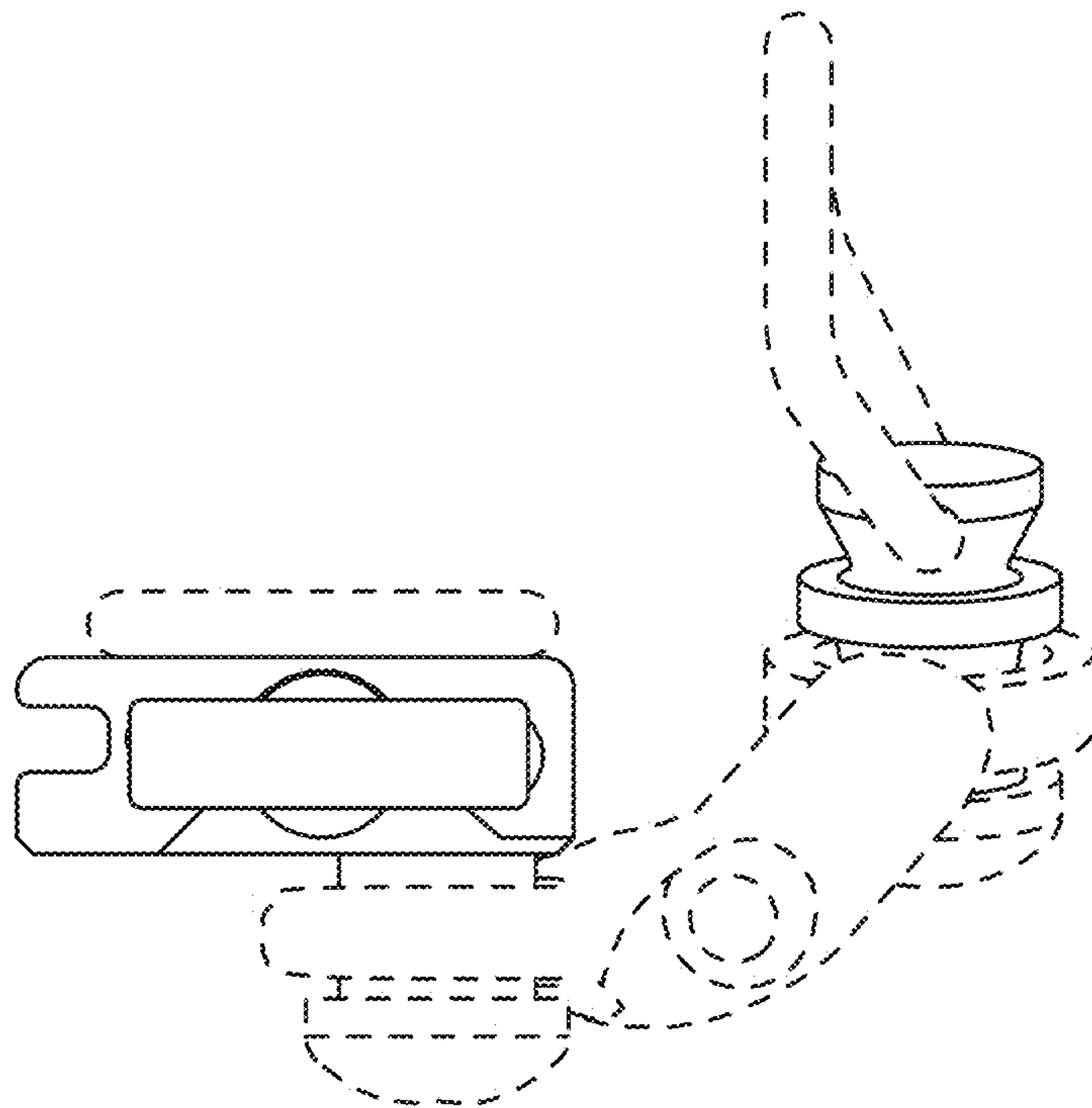


FIG.93

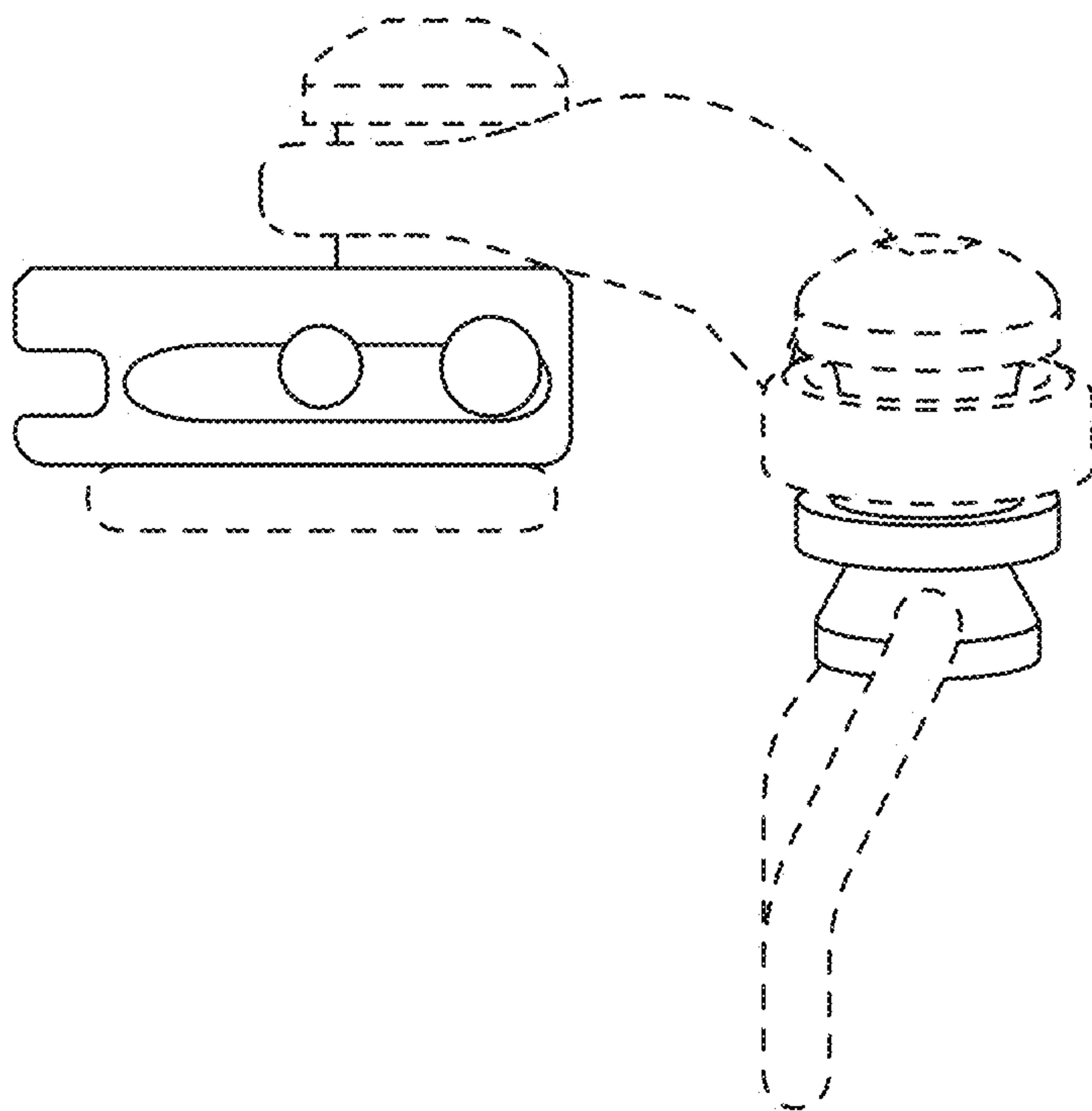


FIG.94

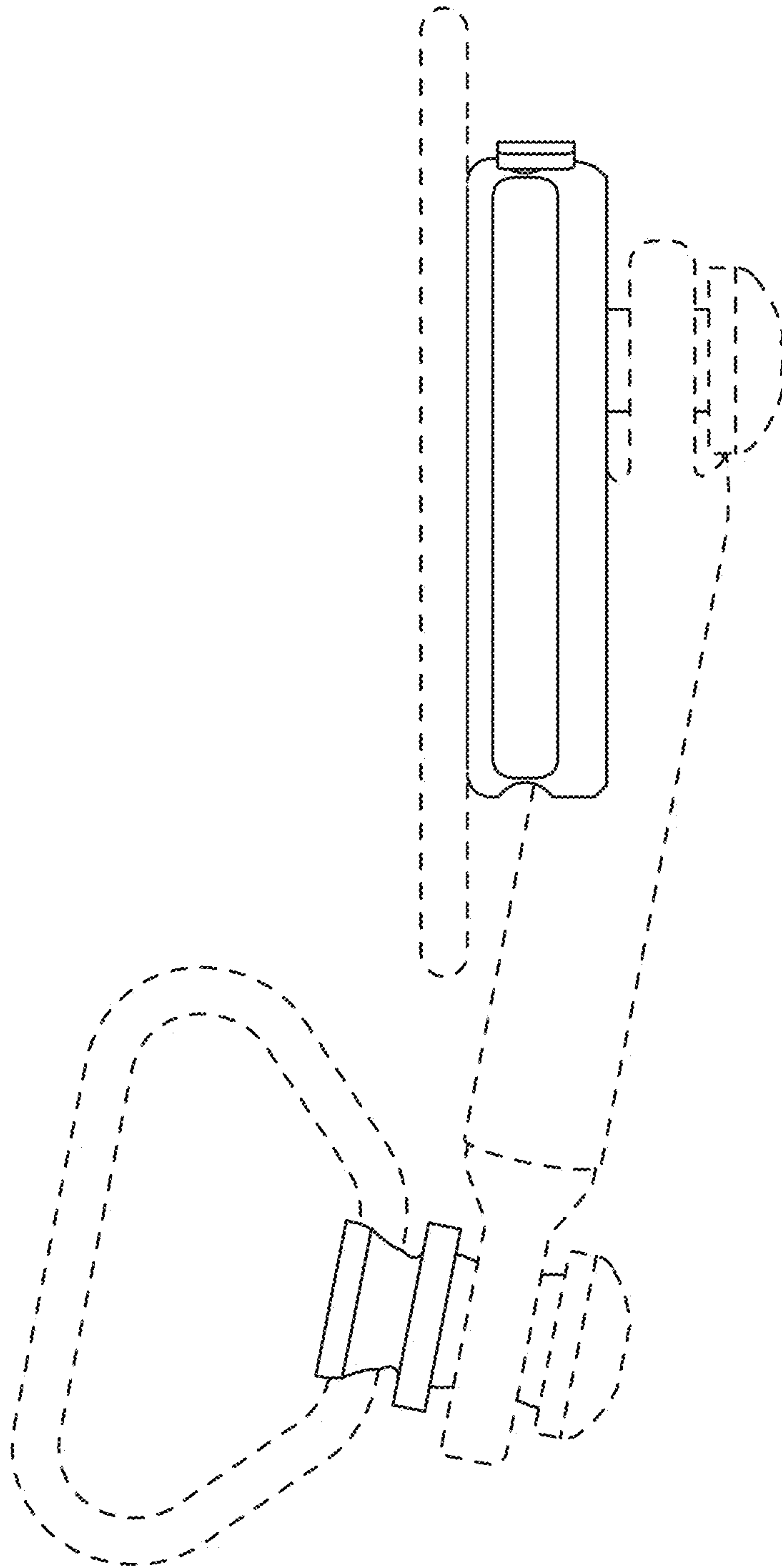


FIG. 95

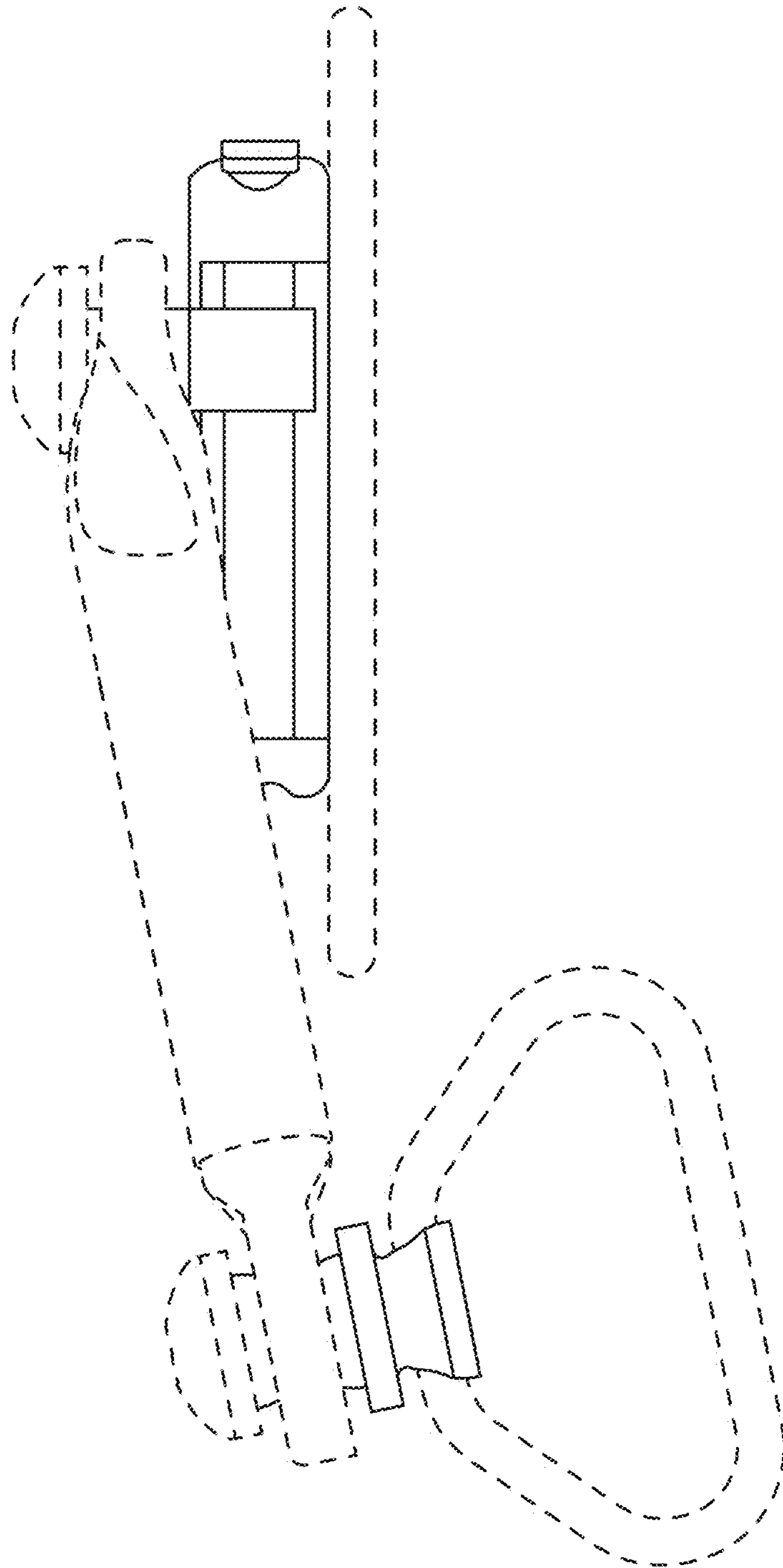


FIG.96