



US00D939710S

(12) **United States Design Patent**  
**Heikkilä**

(10) **Patent No.:** **US D939,710 S**

(45) **Date of Patent:** **\*\* Dec. 28, 2021**

(54) **DEVICE FOR MEASURING HEART RATE**

(71) Applicant: **Firstbeat Technologies Oy**, Jyväskylä (FI)

(72) Inventor: **Mikael Olavi Heikkilä**, Oulu (FI)

(73) Assignee: **Firstbeat Technologies Oy**, Jyväskylä (FI)

(\*\*) Term: **15 Years**

(21) Appl. No.: **29/733,953**

(22) Filed: **May 7, 2020**

(30) **Foreign Application Priority Data**

Dec. 20, 2019 (EM) ..... 7328612-0001

(51) **LOC (13) Cl.** ..... **24-02**

(52) **U.S. Cl.**  
USPC ..... **D24/167**

(58) **Field of Classification Search**  
USPC ..... D24/107, 164, 165-169, 186, 187, 200;  
D14/344

CPC ..... A61B 5/0205; A61B 5/02427; A61B  
5/02438; A61B 5/14552; A61B 5/6801;  
A61B 5/681; A61B 5/6624; A61B  
5/6831; A61B 2560/0412; A61B  
2560/0462

See application file for complete search history.

(56) **References Cited**

**U.S. PATENT DOCUMENTS**

D659,836 S \* 5/2012 Bensch ..... D24/167  
D718,867 S 12/2014 Schroderus

D718,868 S \* 12/2014 Schroderus ..... D24/167  
D767,770 S \* 9/2016 Purfey ..... D24/186  
D770,625 S \* 11/2016 Aytakin ..... D24/167  
D773,056 S \* 11/2016 Vlach ..... D24/186  
D890,346 S \* 7/2020 Lam ..... D24/167  
D891,622 S \* 7/2020 Ye ..... D24/167  
2011/0237924 A1 \* 9/2011 McGusty ..... A61B 5/6833  
600/391  
2015/0272466 A1 \* 10/2015 Laakkonen ..... A61B 5/02438  
600/522

\* cited by examiner

*Primary Examiner* — Anhdao Doan

(74) *Attorney, Agent, or Firm* — Meunier Carlin & Curfman LLC

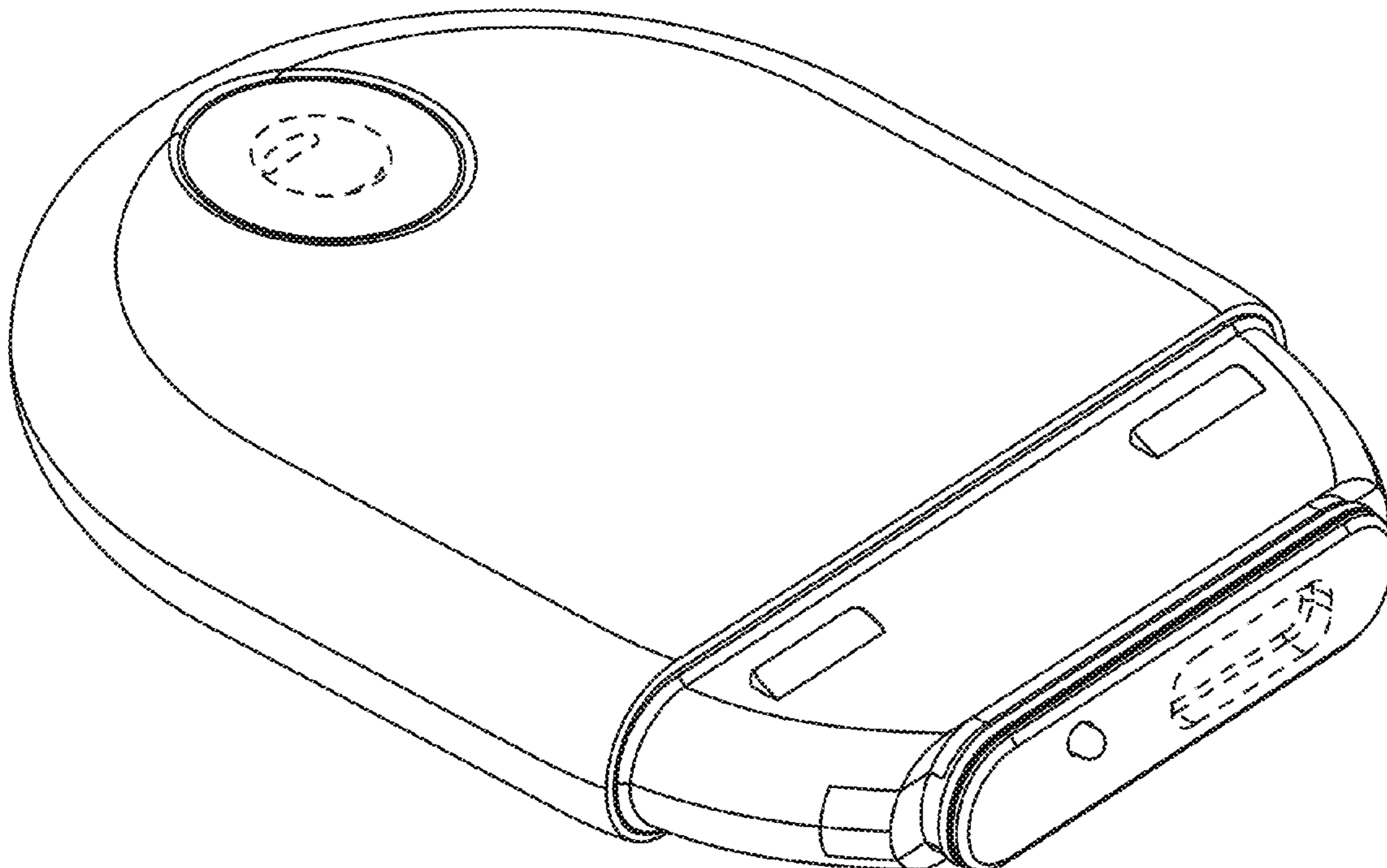
(57) **CLAIM**

The ornamental design for a device for measuring heart rate, as shown and described.

**DESCRIPTION**

FIG. 1 is a perspective view of a device for measuring heart rate, showing my new design;  
FIG. 2 is a perspective view thereof, flipped upside-down;  
FIG. 3 is a front view thereof;  
FIG. 4 is a side view thereof, the other side being a mirror image;  
FIG. 5 is a top plan view thereof; and,  
FIG. 6 is a bottom plan view thereof.  
The broken lines illustrate portions of the device for measuring heart rate that form no part of the claimed design.

**1 Claim, 6 Drawing Sheets**



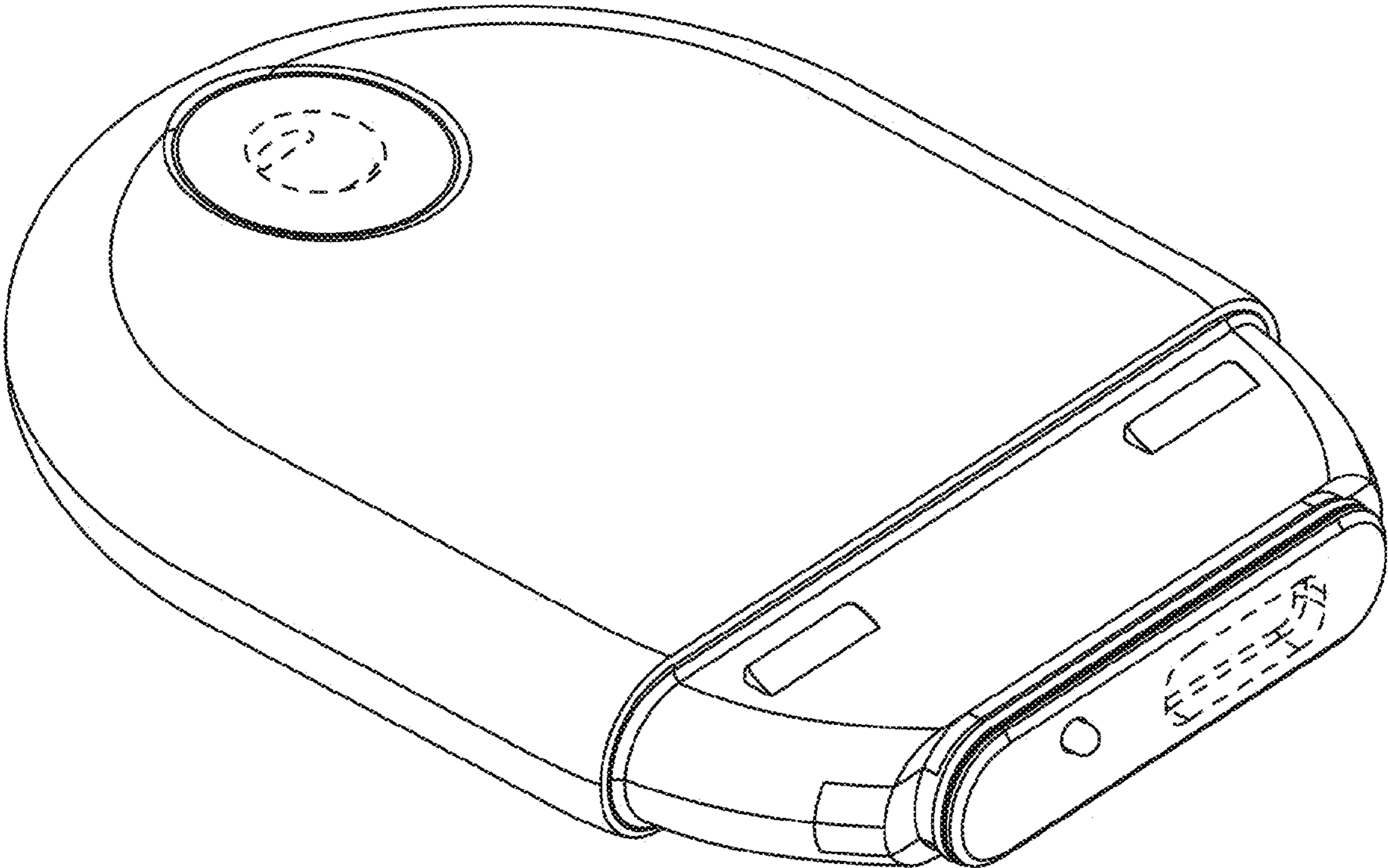


FIG. 1

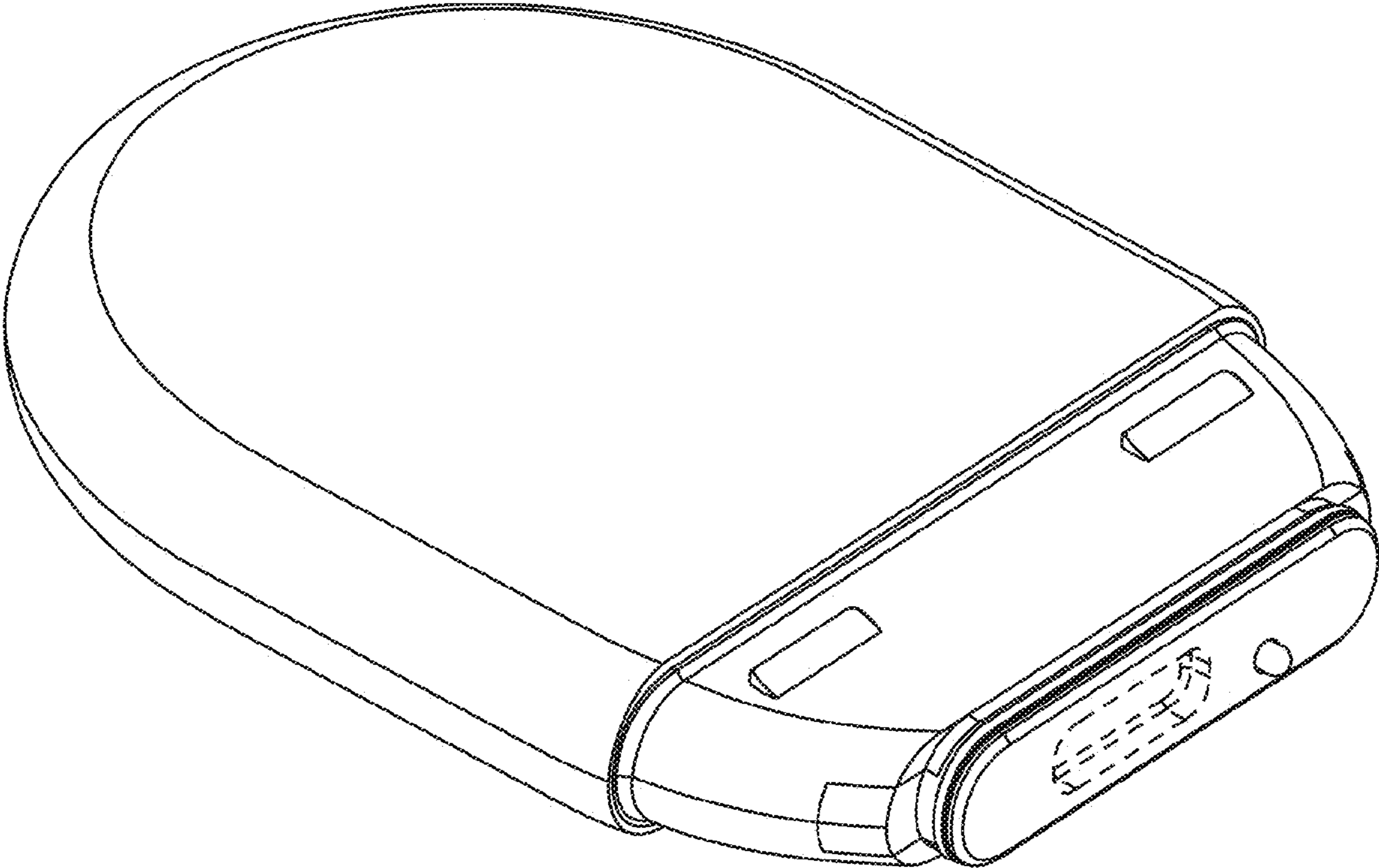


FIG. 2

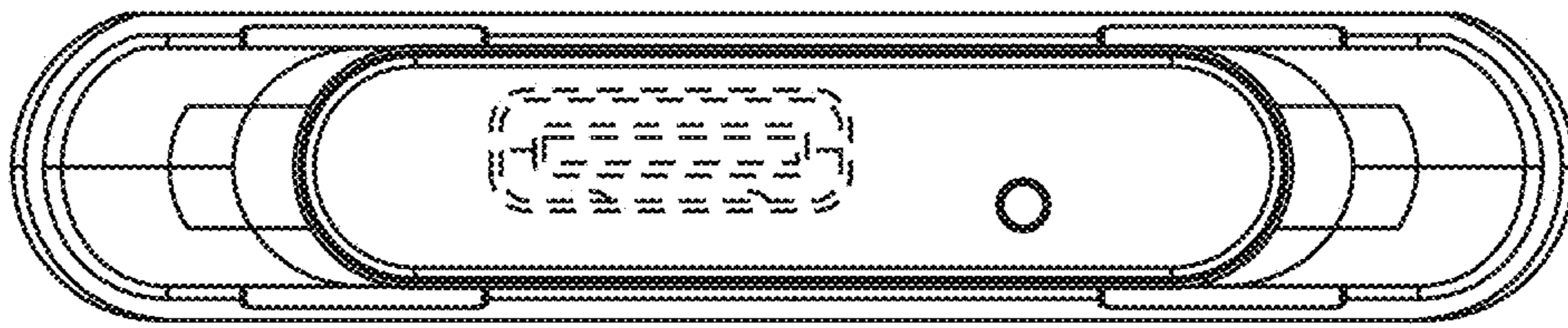


FIG. 3

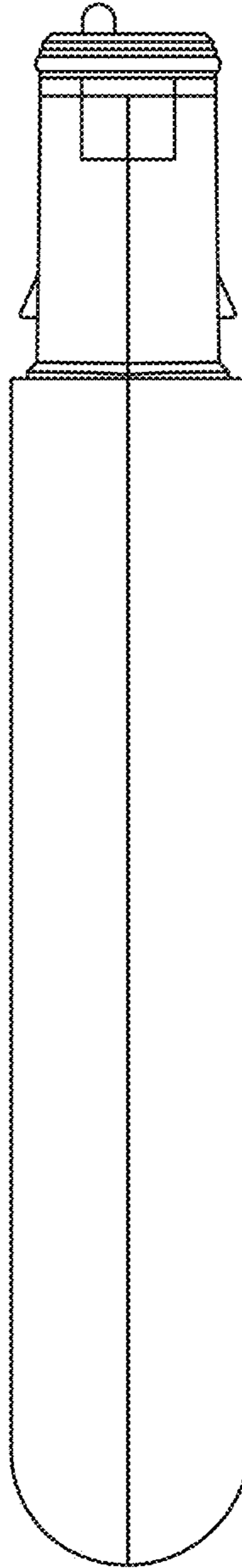


FIG. 4

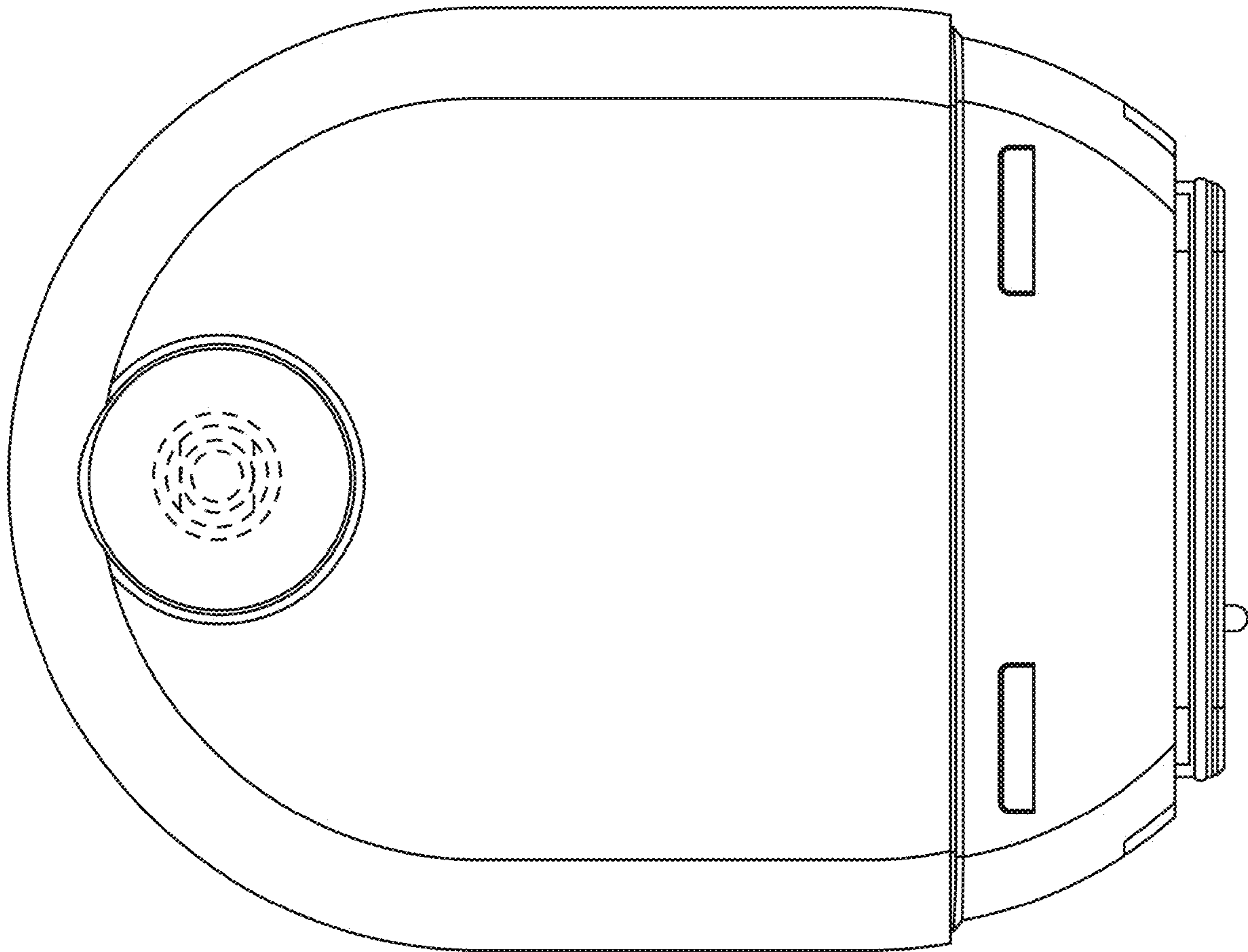


FIG. 5

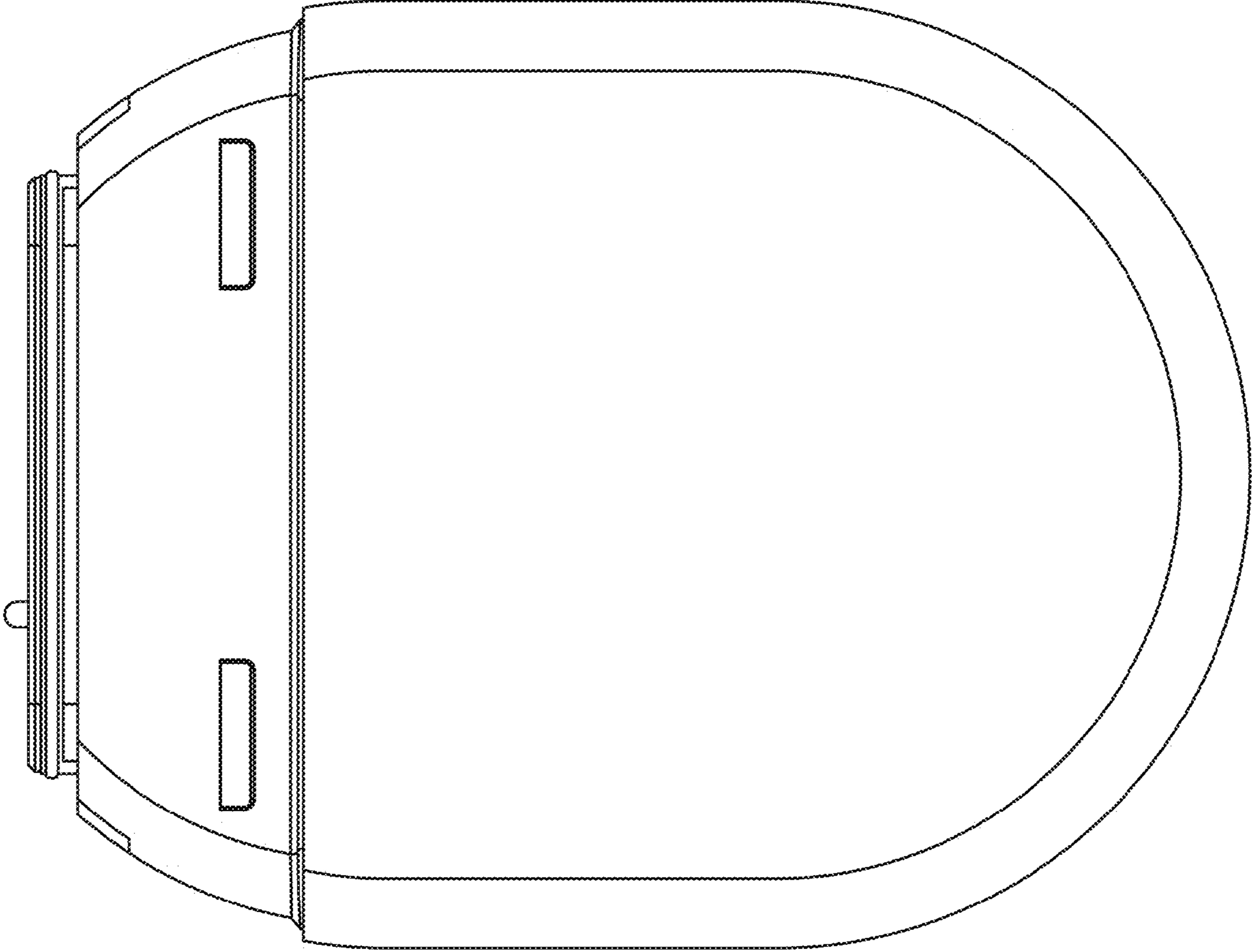


FIG. 6