

US00D939706S

(12) **United States Design Patent**
Van Manen

(10) **Patent No.:** **US D939,706 S**

(45) **Date of Patent:** **** Dec. 28, 2021**

(54) **BRACHYTHERAPY APPLICATOR**

- (71) Applicant: **NUCLETRON OPERATIONS B.V.**,
Veenendaal (NL)
- (72) Inventor: **Jan Willem Van Manen**, Veenendaal
(NL)
- (73) Assignee: **Nucletron Operations B.V.**, Veenendaal
(NL)
- (**) Term: **15 Years**
- (21) Appl. No.: **29/725,824**
- (22) Filed: **Feb. 27, 2020**
- (51) **LOC (13) Cl.** **24-01**
- (52) **U.S. Cl.**
USPC **D24/158**
- (58) **Field of Classification Search**
USPC D24/107, 158–161, 185, 186, 187, 137,
D24/138
CPC A61N 5/1016; A61N 2005/1018; A61B
8/12; A61B 8/4481; A61B 8/4488; A61B
8/4477; A61B 8/483
See application file for complete search history.

(56) **References Cited**

U.S. PATENT DOCUMENTS

D566,283	S *	4/2008	Brafford	D24/186
D642,266	S *	7/2011	Marsteller	D24/150
D685,479	S *	7/2013	Charles	D24/158
D750,260	S *	2/2016	Sauer	D24/186
D814,637	S *	4/2018	Lohrenz	D24/158
2012/0277518	A1 *	11/2012	Mick	A61N 5/1016 600/6
2013/0109908	A1 *	5/2013	Rahimian	A61N 5/1016 600/6
2014/0121443	A1 *	5/2014	van Erp	A61N 5/1016 600/6

(Continued)

OTHER PUBLICATIONS

An algorithm for computing customized 3D printed implants with curvature channels for enhancing intracavitary brachytherapy radiation delivery. Conference paper. Posting date: Aug. 2013. Retrived from website at: <https://www.researchgate.net/publication/261418379>.*

(Continued)

Primary Examiner — Anhdao Doan

(74) *Attorney, Agent, or Firm* — Bookoff McAndrews, PLLC

(57) **CLAIM**

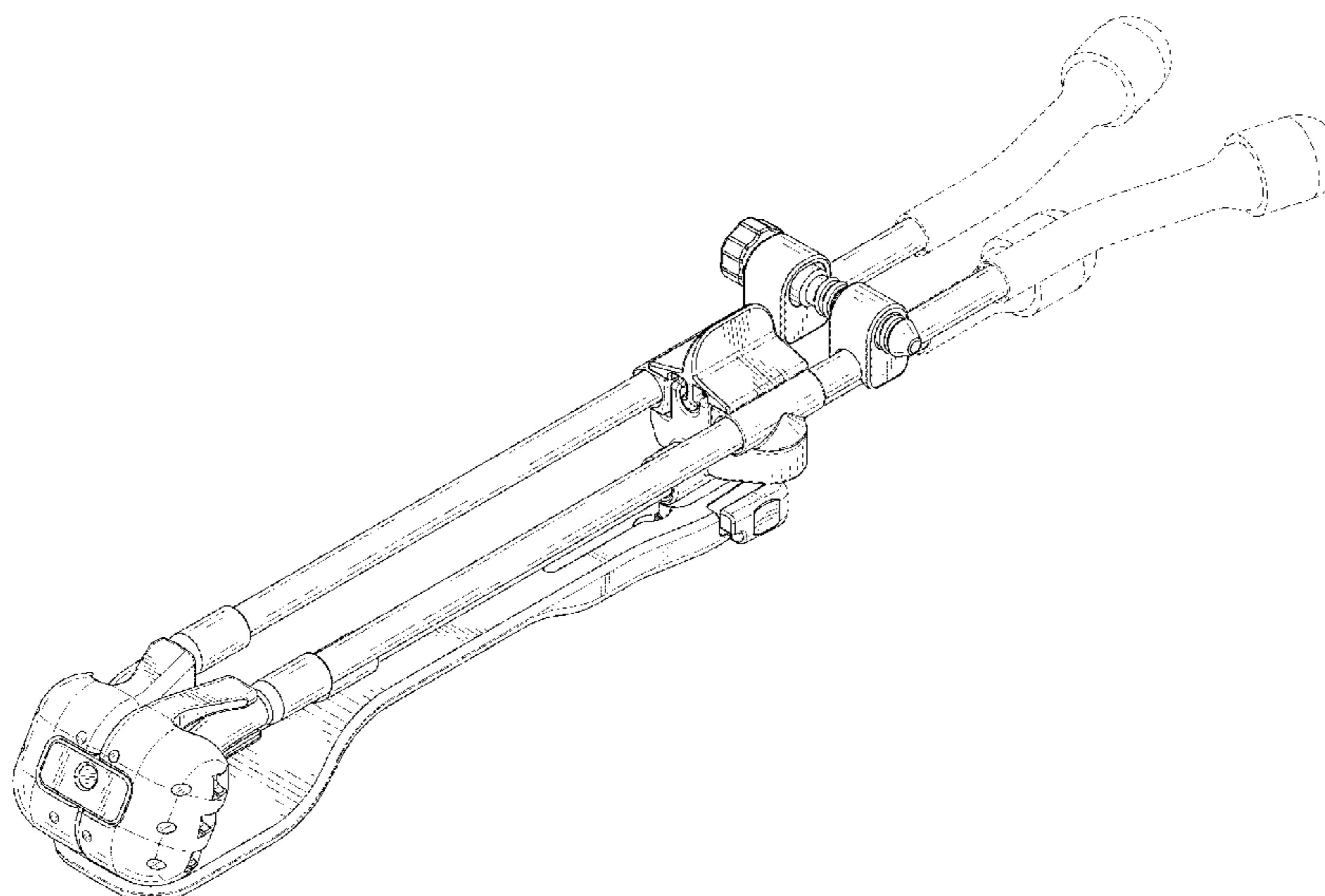
The ornamental design for a brachytherapy applicator, as shown and described.

DESCRIPTION

FIG. 1 is a front right perspective view of a brachytherapy applicator showing my new design;
 FIG. 2 is a rear left perspective view thereof;
 FIG. 3 is an exploded view thereof showing a portion of the brachytherapy applicator uncoupled;
 FIG. 4 is a front elevation view thereof;
 FIG. 5 is a rear elevation view thereof;
 FIG. 6 is a right side view thereof;
 FIG. 7 is a left side view thereof;
 FIG. 8 is a front cross-sectional view thereof taken along the line 8-8 in FIG. 6;
 FIG. 9 is a rear cross-sectional view thereof taken along the line 9-9 in FIG. 7;
 FIG. 10 is a top plan view thereof; and,
 FIG. 11 is a bottom view thereof.

The broken lines shown in the drawings illustrate portions of the brachytherapy applicator that form no part of the claimed design. The broken, cross-sectional lines of uneven length in FIGS. 6 and 7 depict the perspective from which the cross-sections shown in FIGS. 8 and 9 are viewed from and form no part of the claimed design.

1 Claim, 7 Drawing Sheets



(56)

References Cited

U.S. PATENT DOCUMENTS

2014/0121444 A1* 5/2014 van Erp A61N 5/1016
600/6
2017/0291041 A1* 10/2017 Steller A61N 5/1016
2018/0071549 A1* 3/2018 Krechting A61B 8/4477

OTHER PUBLICATIONS

Brachytherapy in Carcinoma Cervix—Spring Link. Posting on Nov. 26, 2019. Retrived from website at: https://link.springer.com/chapter/10.1007/978-981-15-0073-2_17.*

Elekta launches Geneva brachytherapy applicator for precise treatment of gynecological cancers. Cision.com. Posting on Apr. 23, 2020. Retrived from website at: <https://mb.cision.com/Main/35/30952>.*

FDA Approves Elekta's Geneva Brachytherapy Applicator for Cervical Cancer. Applied Radiation Oncology. Aug. 19, 2020. Retrived from website at: <https://appliedradiationoncology.com/articles/fda-approves-elekta-s-geneva-brachytherapy-applicator-for-cervical-cancer>.*

* cited by examiner

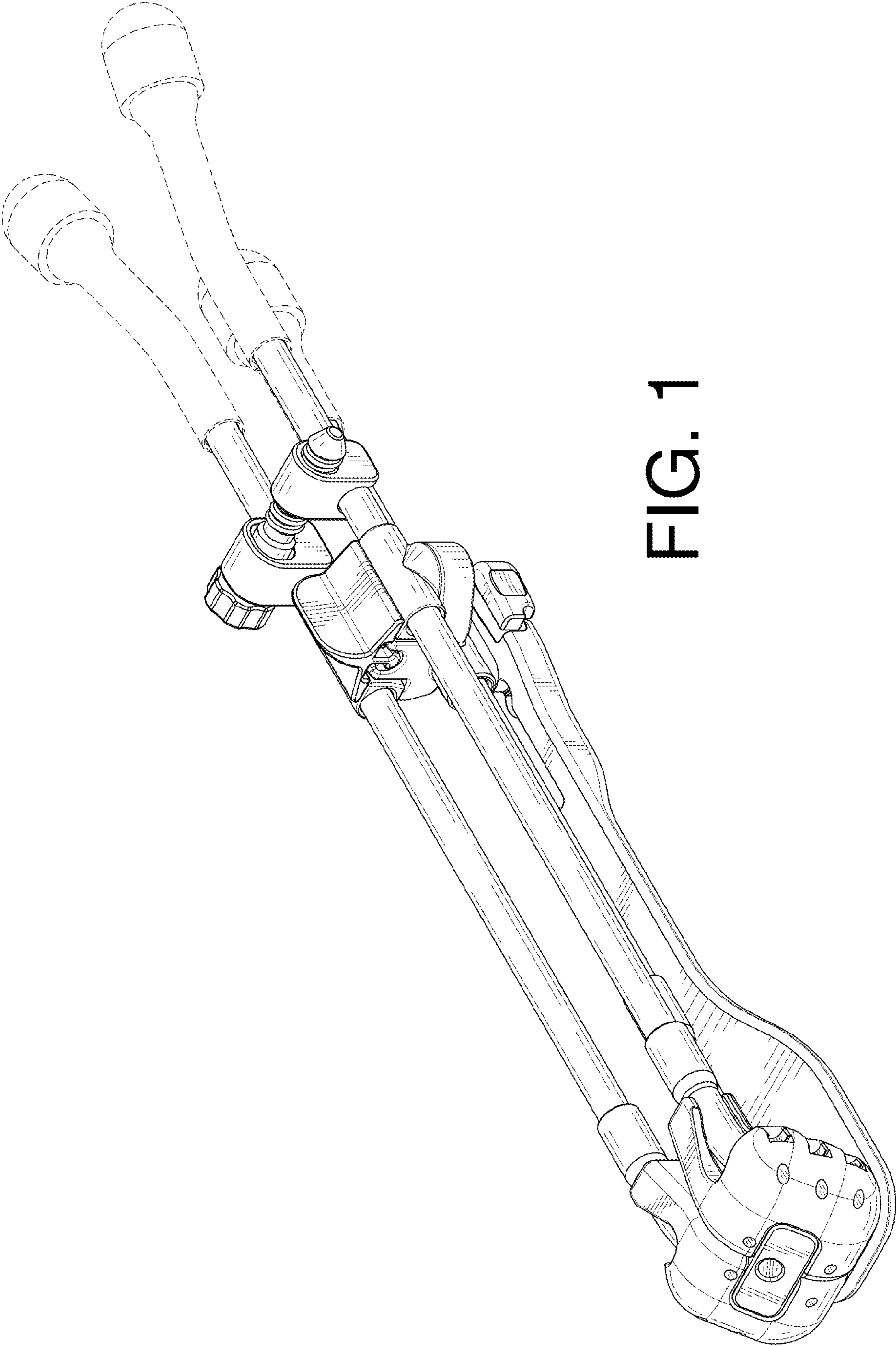


FIG. 1

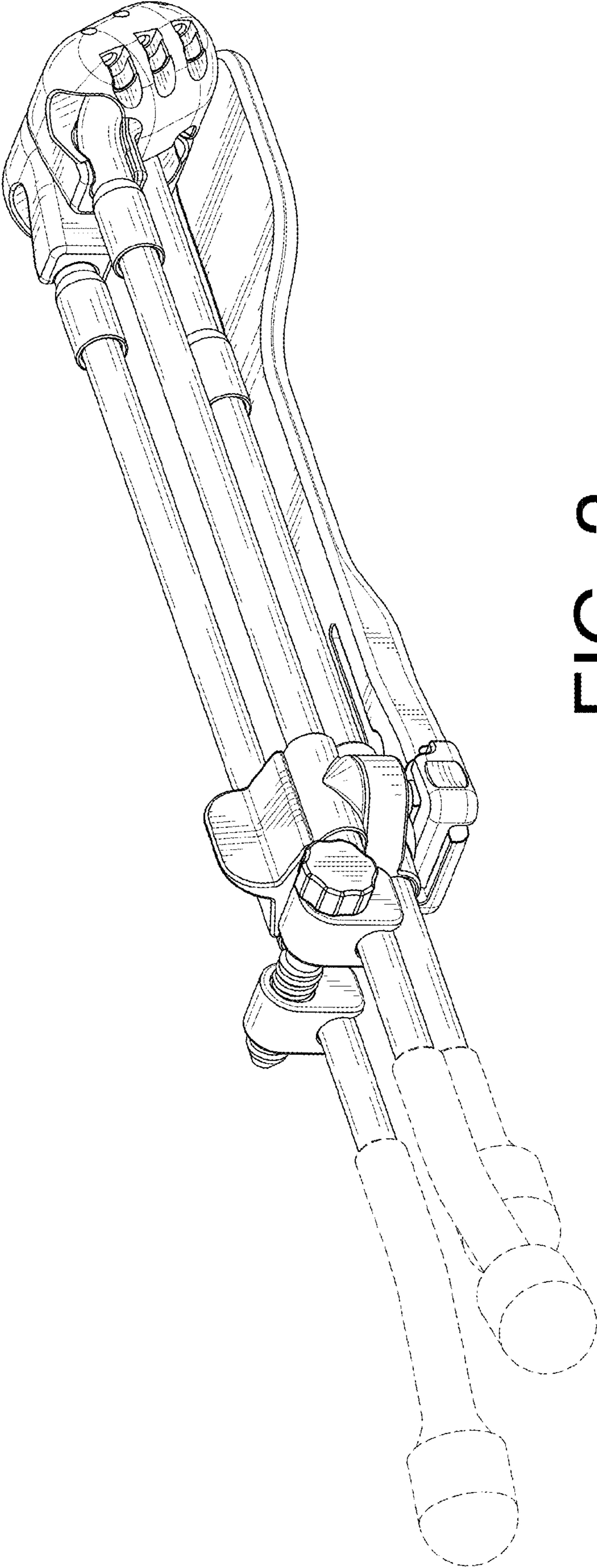


FIG. 2

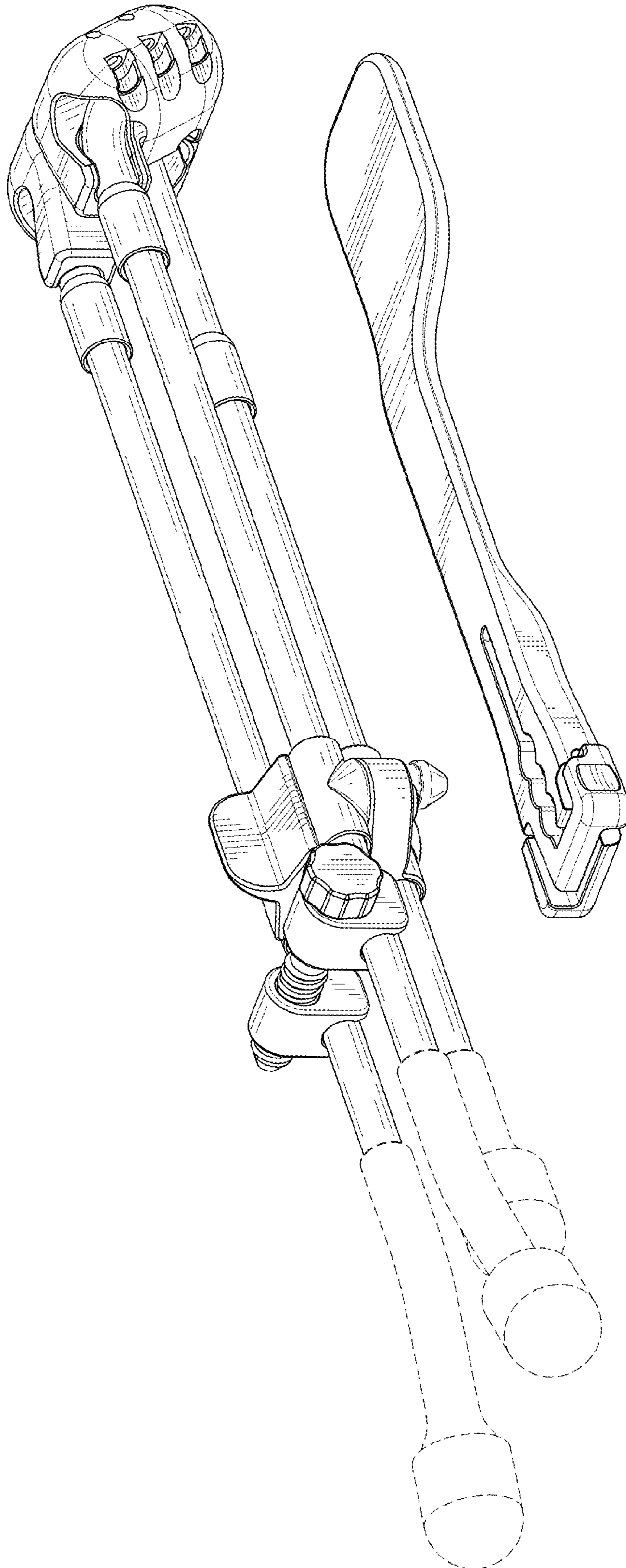


FIG. 3

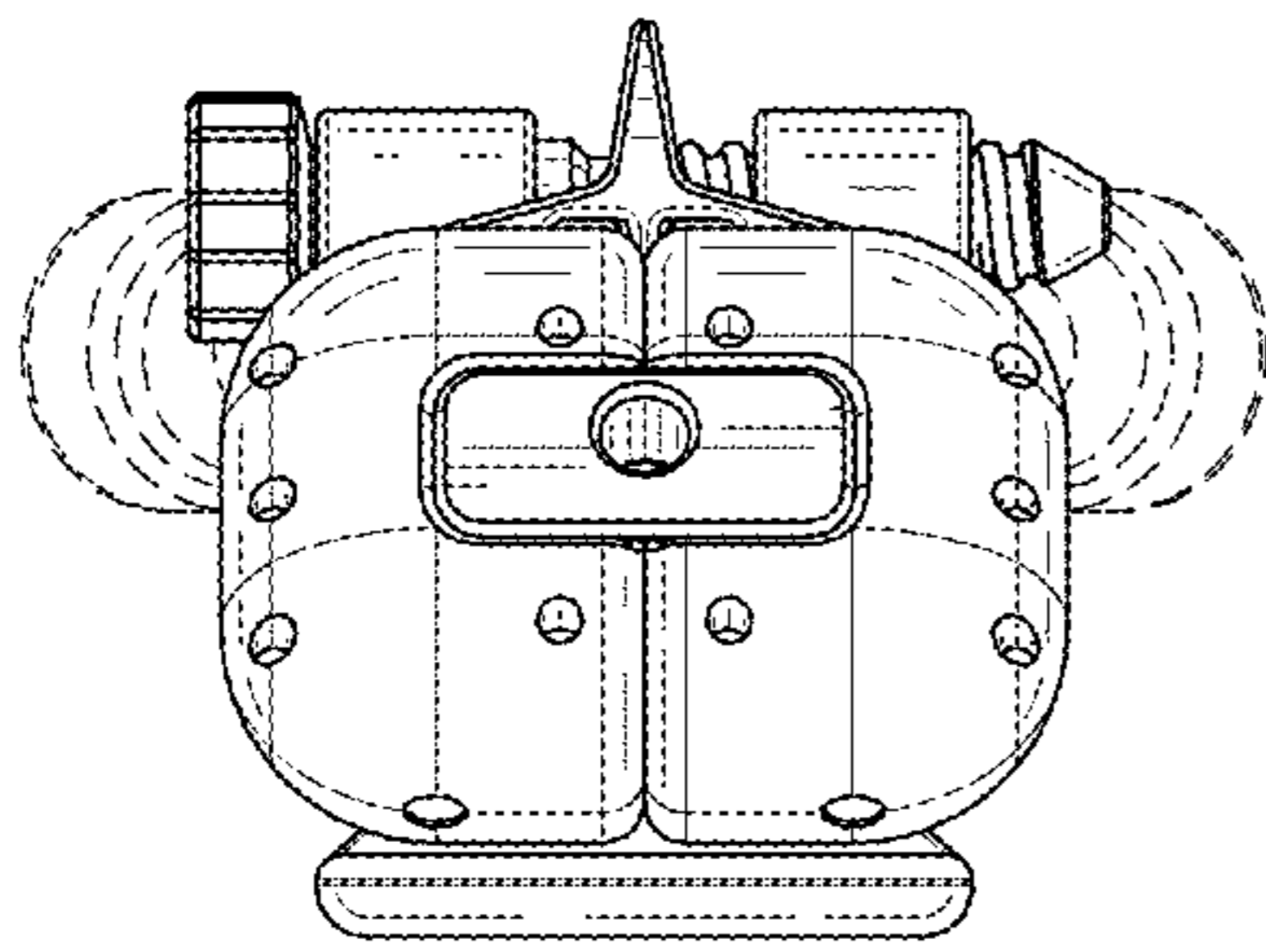


FIG. 4

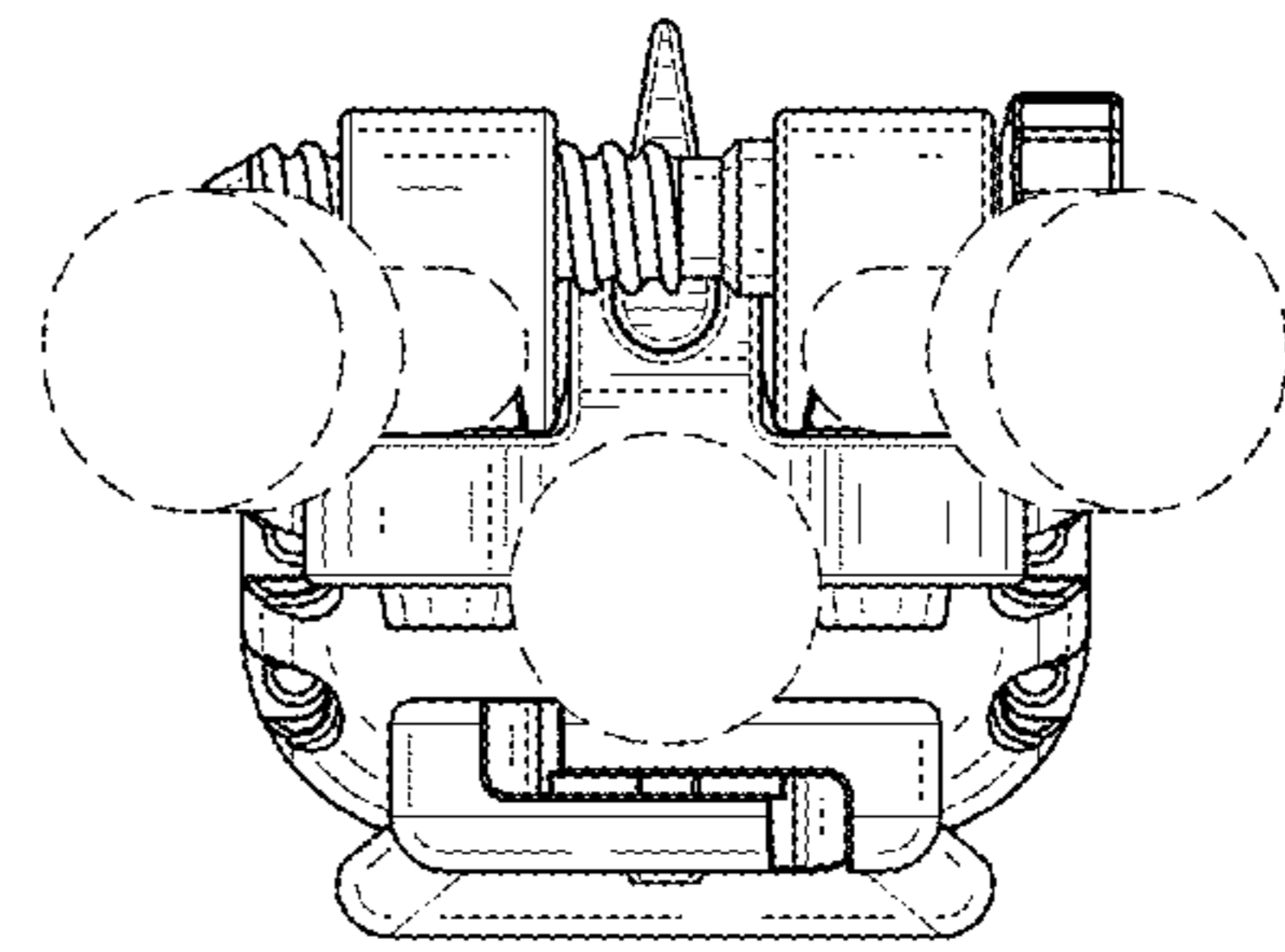


FIG. 5

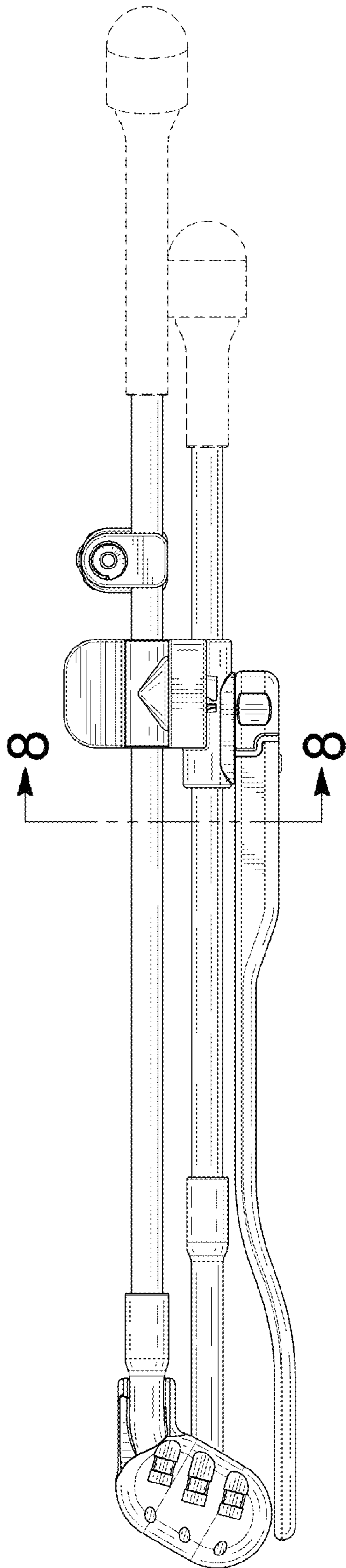


FIG. 6

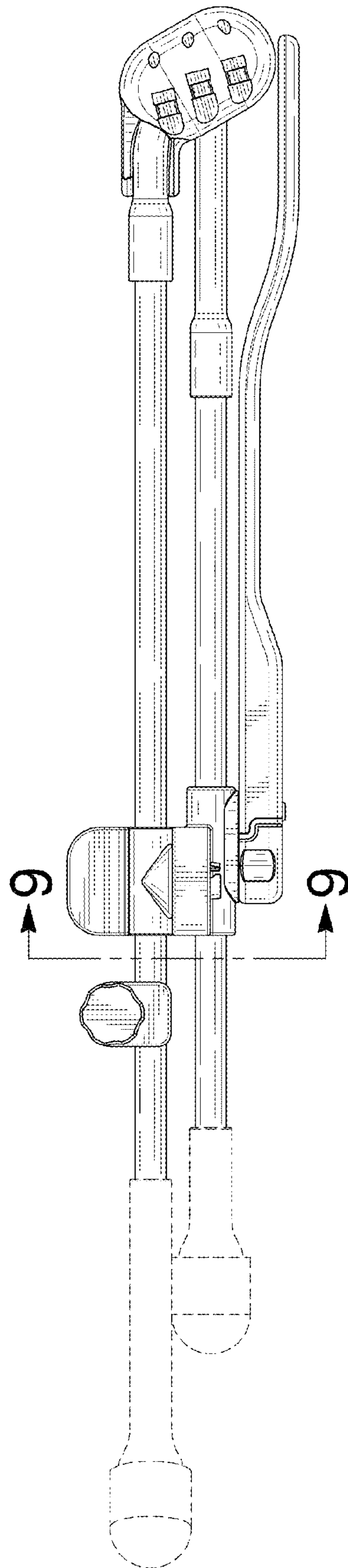


FIG. 7

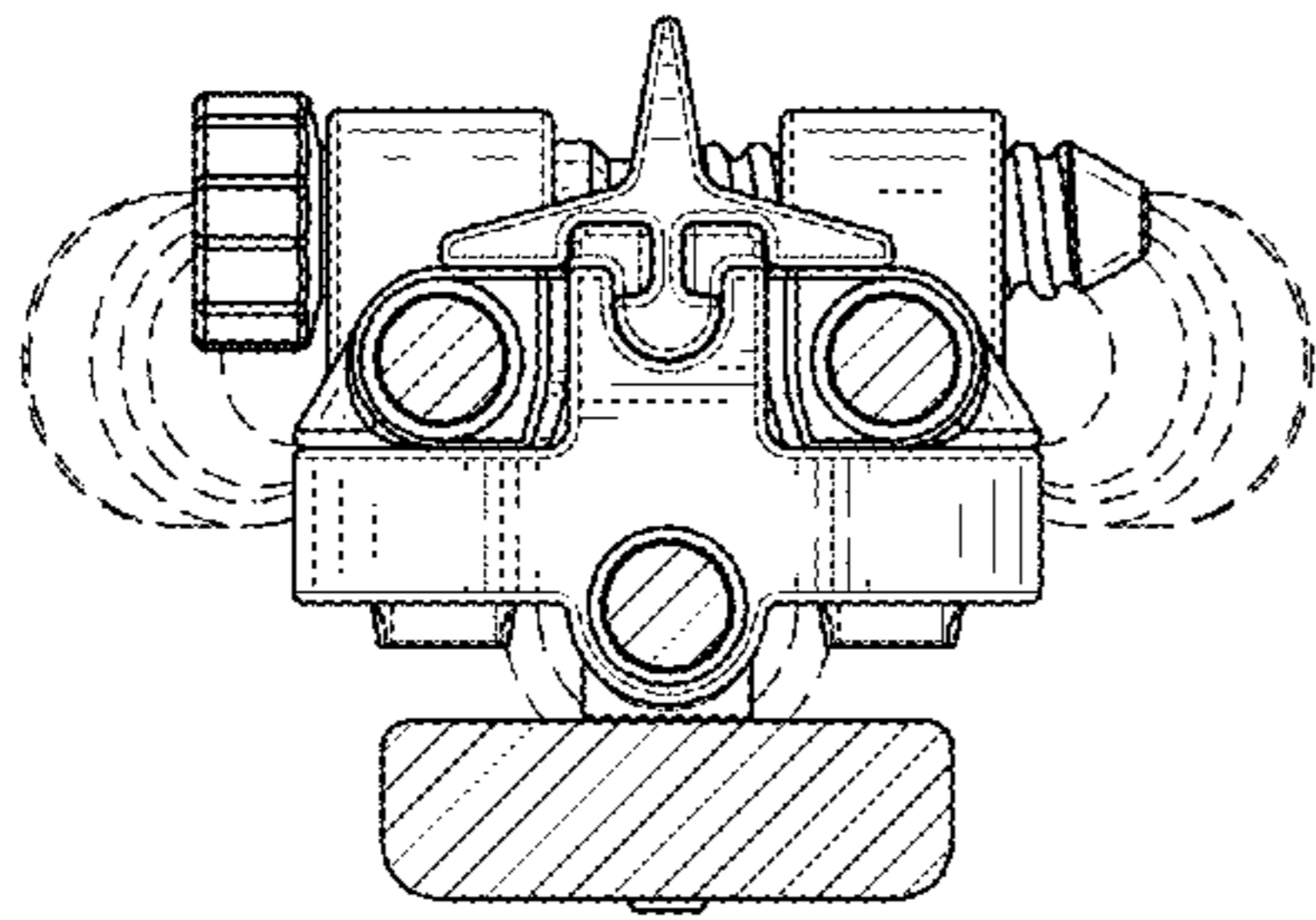


FIG. 8

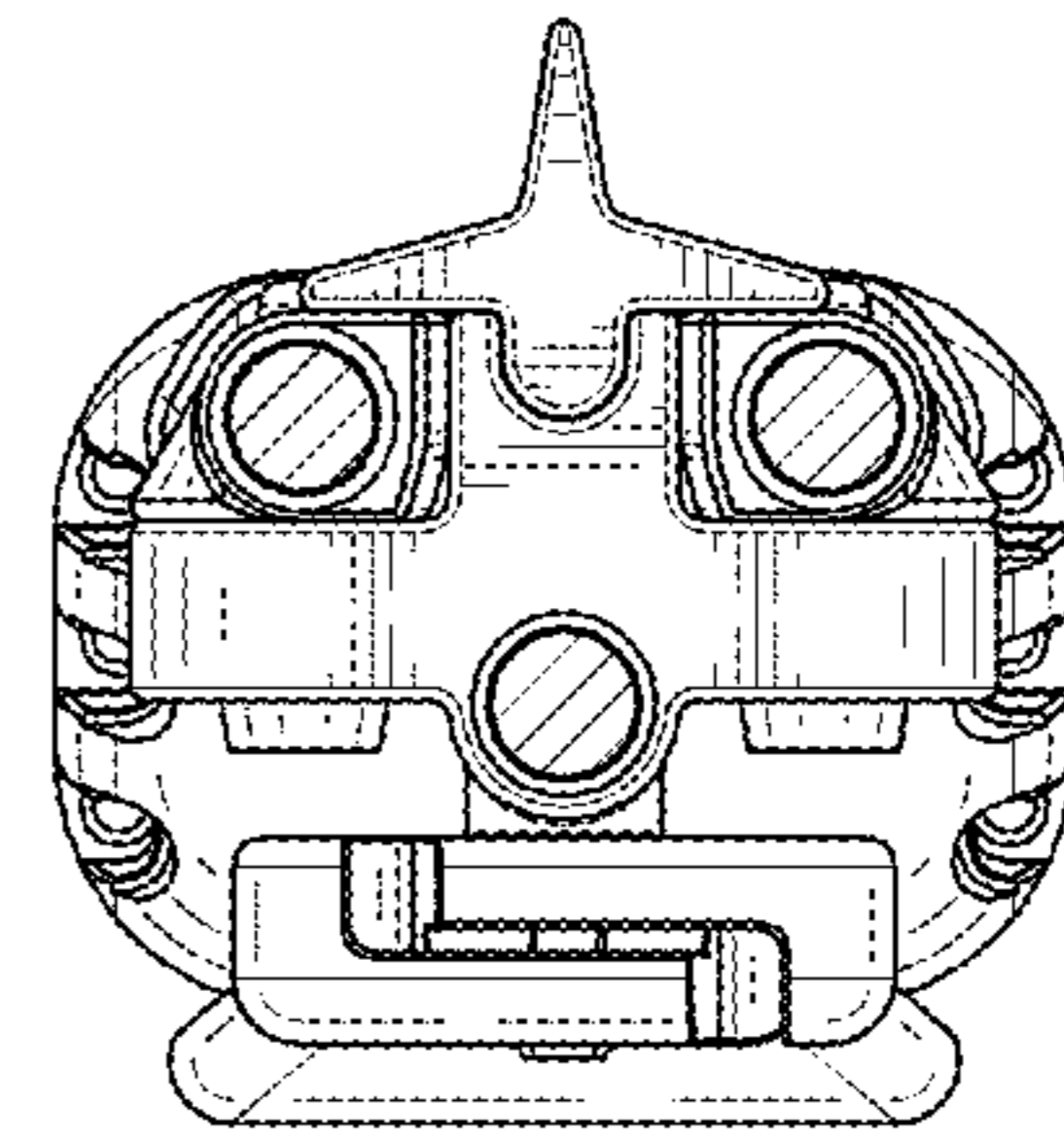


FIG. 9

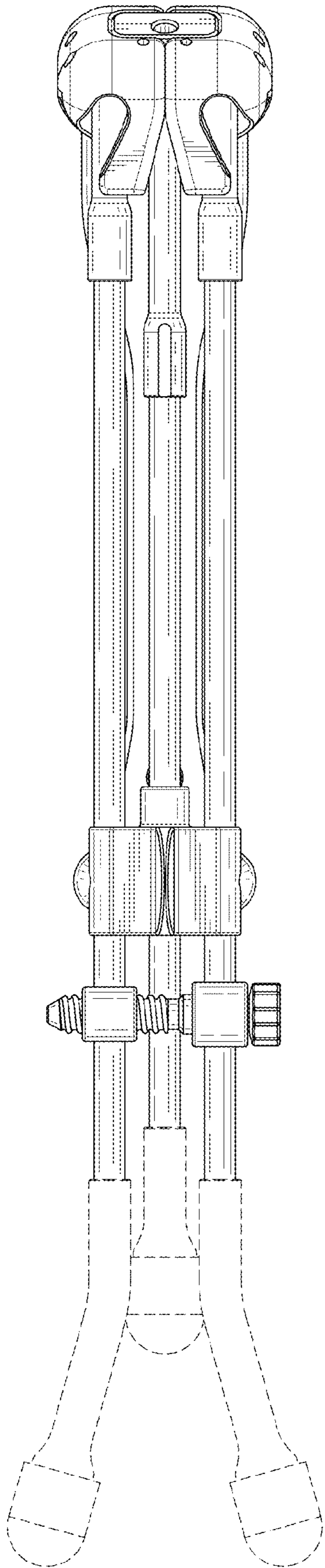


FIG. 10

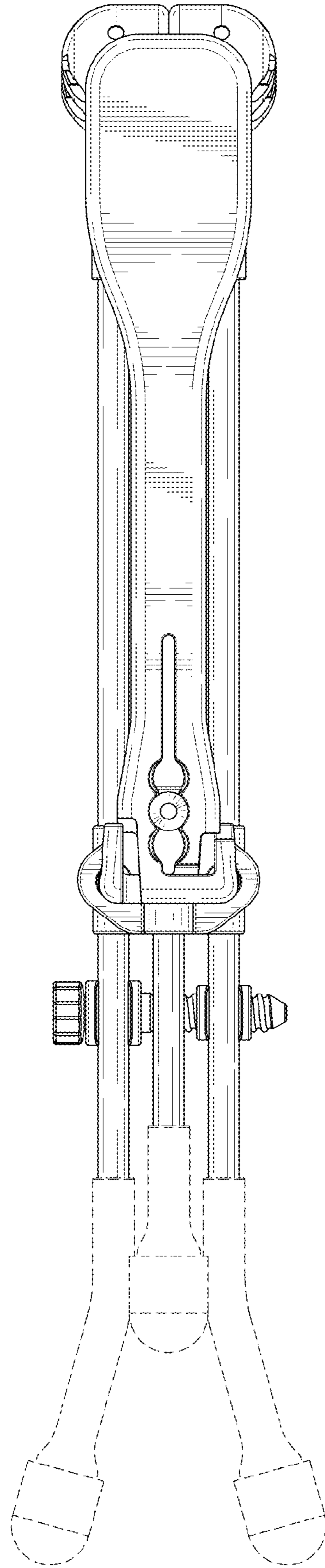


FIG. 11