



US00D939704S

(12) **United States Design Patent**
Bales et al.

(10) **Patent No.:** **US D939,704 S**

(45) **Date of Patent:** **** Dec. 28, 2021**

(54) **CANNULATED COMPRESSION DEVICE**

(71) Applicant: **Ideas In Surgery, Inc.**, Tampa, FL
(US)

(72) Inventors: **Joel Bales**, Tampa, FL (US); **Kyle W. Schweser**, Columbia, MO (US)

(73) Assignee: **Ideas In Surgery, Inc.**, Tampa, FL
(US)

(**) Term: **15 Years**

(21) Appl. No.: **29/731,929**

(22) Filed: **Apr. 20, 2020**

(51) **LOC (13) Cl.** **24-02**

(52) **U.S. Cl.**
USPC **D24/147**

(58) **Field of Classification Search**
USPC D28/57, 59, 62; D4/104, 120, 137, 138,
D4/100, 108, 111; D8/90-94, 107, 300,
D8/310-311, 313, 97, 387, 82;
D24/146-147, 10.5, 107, 110, 112-118,
D24/121, 127, 130, 133, 148, 152,
D24/172-174, 176-178; D19/110, 115;
D7/649

CPC A61B 17/089; A61B 17/1617; A61B
17/3211; A61B 17/3417; A61B 5/1411;
A61H 39/08; A61M 2025/0246; A61M
16/04; A61M 16/0463; A61M 16/0486;
A61M 16/0484; A61M 25/0009; A61M
25/007; A61M 25/02; A61M 25/09033;
A61M 5/3286; A61M 5/343; B26B 3/00;
B26B 1/10; B26B 5/005

See application file for complete search history.

(56) **References Cited**

U.S. PATENT DOCUMENTS

5,793,829 A * 8/1998 Bacso G21C 17/10
376/292
D493,532 S * 7/2004 Levaughn D24/146

D501,253 S * 1/2005 Bainton D19/164
8,313,470 B2 * 11/2012 Abry A61M 5/3202
604/198

D708,317 S * 7/2014 Schneider D24/113

(Continued)

OTHER PUBLICATIONS

Cannulated Compression Headless Screw (CCHS) System.,
jnjmedicaldevices.com, [online], [site visited Sep. 8, 2021], Avail-
able from internet URL: [https://www.jnjmedicaldevices.com/en-US/
product/cannulated-compression-headless-screw-cchs-system](https://www.jnjmedicaldevices.com/en-US/product/cannulated-compression-headless-screw-cchs-system) (Year:
2021).*

(Continued)

Primary Examiner — Samantha Q Lawrence

Assistant Examiner — Holly M Rodriguez

(74) *Attorney, Agent, or Firm* — Larson & Larson, P.A.;
Justin P. Miller; Frank Liebenow

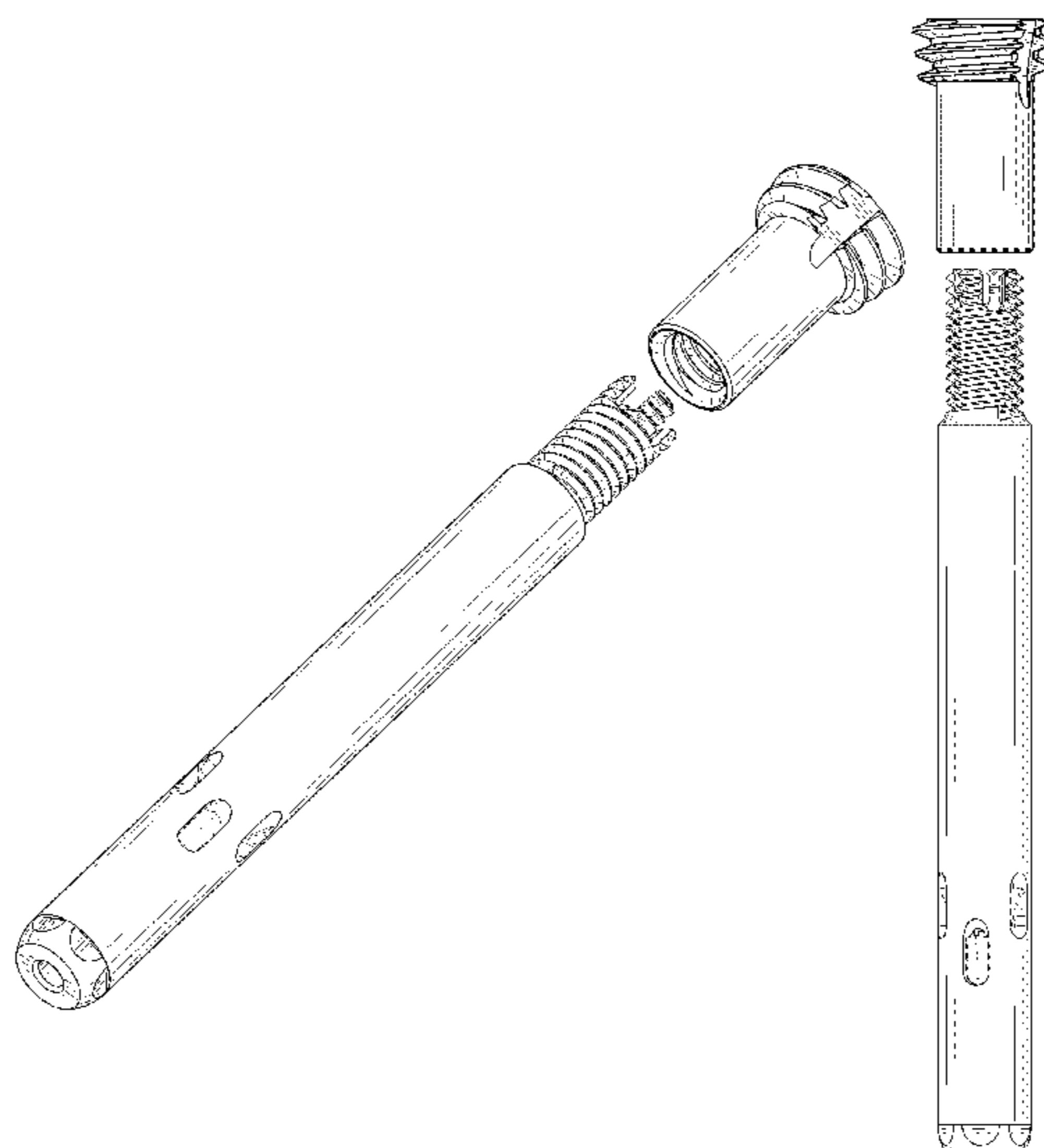
(57) **CLAIM**

We claim the ornamental design for a cannulated compression device, as shown and described.

DESCRIPTION

FIG. 1 is a perspective view of a cannulated compression device showing my new design;
FIG. 2 is a front elevation view thereof;
FIG. 3 is a back elevation thereof;
FIG. 4 is a right-side elevation view thereof;
FIG. 5 is a left-side elevation view thereof;
FIG. 6 is a top plan view thereof with the pieces separated for ease of illustration;
FIG. 7 is a bottom plan view thereof with the pieces separated for ease of illustration;
FIG. 8 is a cross-sectional view with tangs retracted; and,
FIG. 9 is a cross-sectional view with tangs extended.
The broken lines of the tangs in FIGS. 1-9 illustrate environment and forms no part of the claimed design.

1 Claim, 6 Drawing Sheets



(56)

References Cited

U.S. PATENT DOCUMENTS

D714,932 S * 10/2014 Hall D24/112
 D818,587 S * 5/2018 Shang D24/146
 D878,567 S * 3/2020 Jansen D24/113
 D888,942 S * 6/2020 Cannamela D24/114
 D903,109 S * 11/2020 Wildenhahn D24/113
 D926,968 S * 8/2021 Kern D24/113
 2015/0080811 A1 * 3/2015 Wieselblad A61M 5/31576
 604/207
 2015/0224259 A1 * 8/2015 Giambattista A61M 5/3146
 604/89
 2016/0263325 A1 * 9/2016 Huthmacher A61M 5/2033
 2016/0287803 A1 * 10/2016 Blancke A61M 5/3157

OTHER PUBLICATIONS

SYNTHES 03.010.015 Compression Device for TI Cannulated Tibial Nails-Ex, [surgeonsedge.net/](https://www.surgeonsedge.net/), [online], [site visited Sep. 8, 2021], Available from internet URL: <https://www.surgeonsedge.net/products/synthes-03-010-015-compression-device-for-ti-cannulated-tibial-nails-ex> (Year: 2021).*

ActivaScrew™ Cannulated—Bioabsorbable screw, [bioretec.com](https://www.bioretec.com), [online], [site visited Sep. 8, 2021], Available from internet URL: <https://www.bioretec.com/products/3/activascrew-cannulated> (Year: 2021).*

* cited by examiner

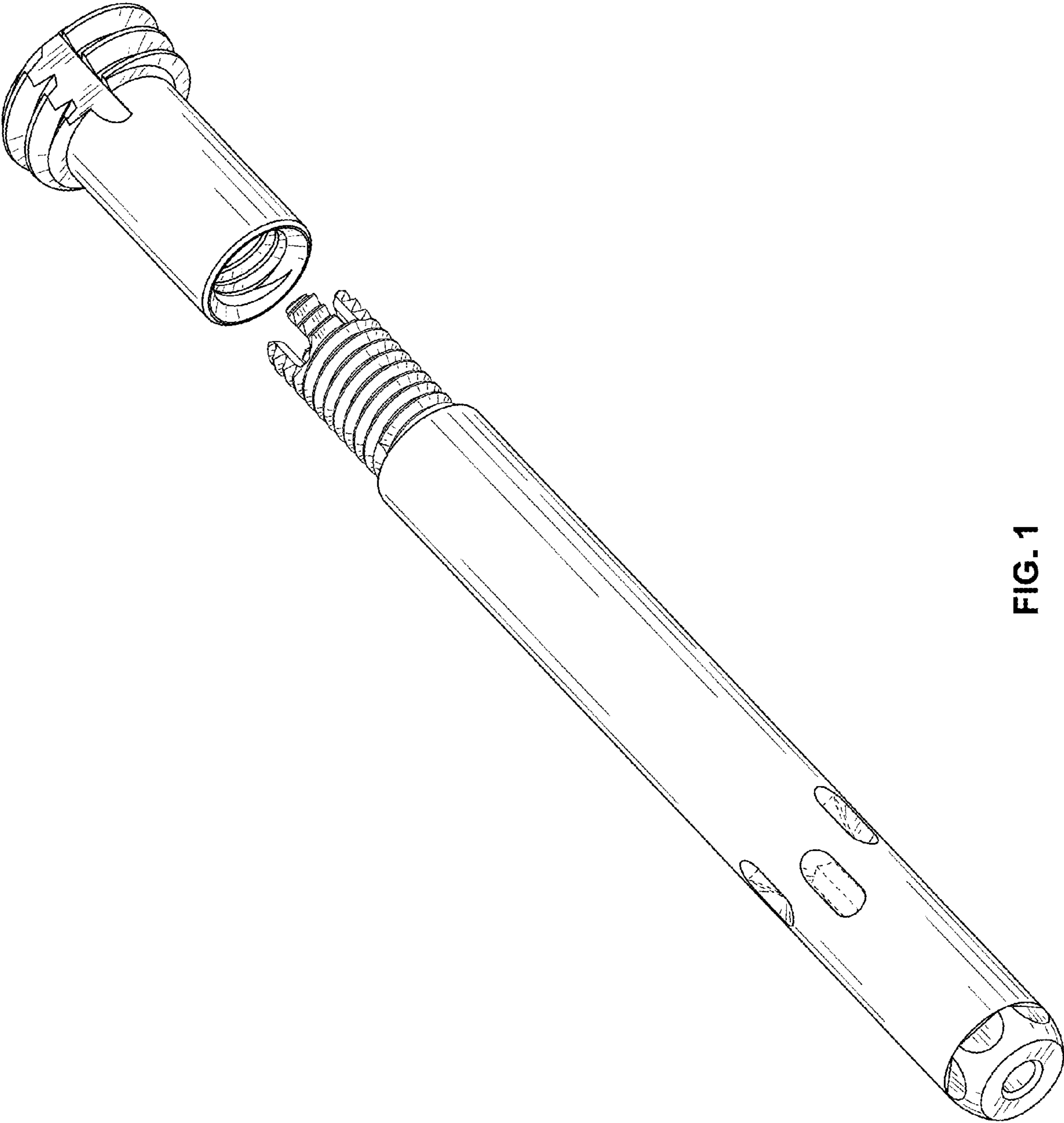


FIG. 1

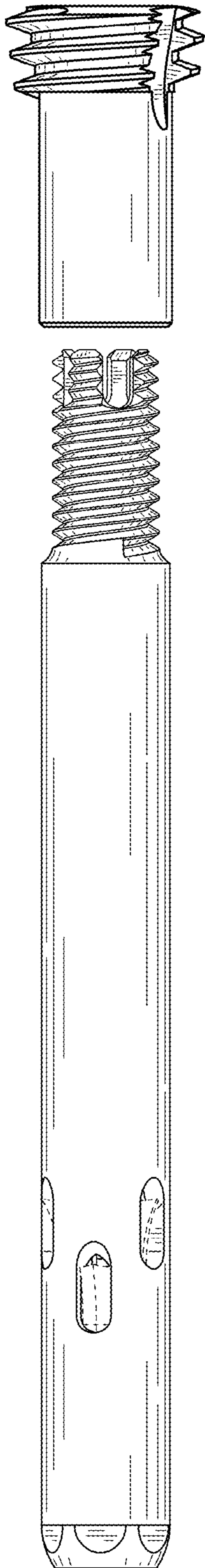


FIG. 2

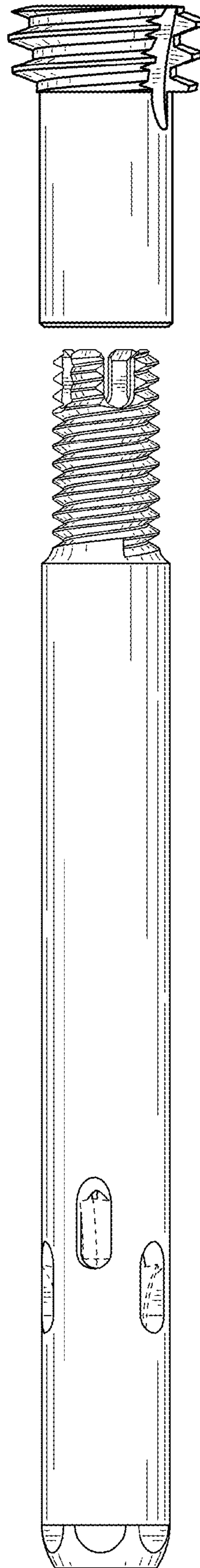


FIG. 3

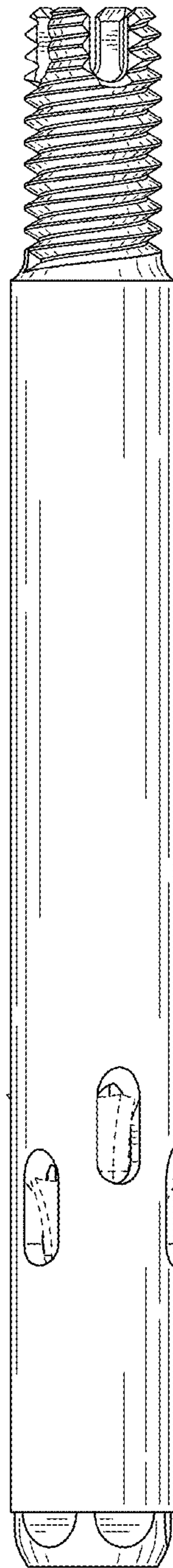
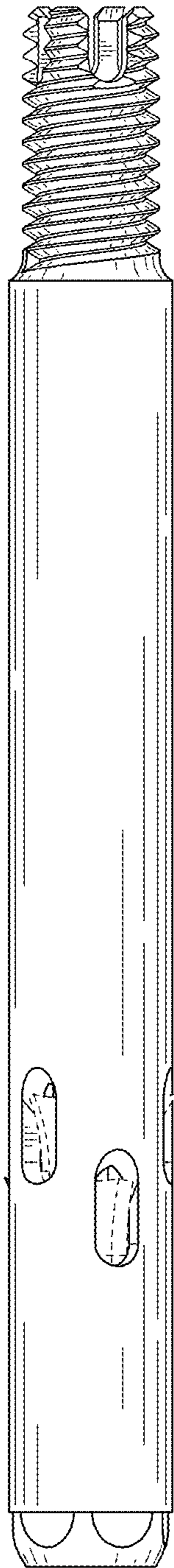
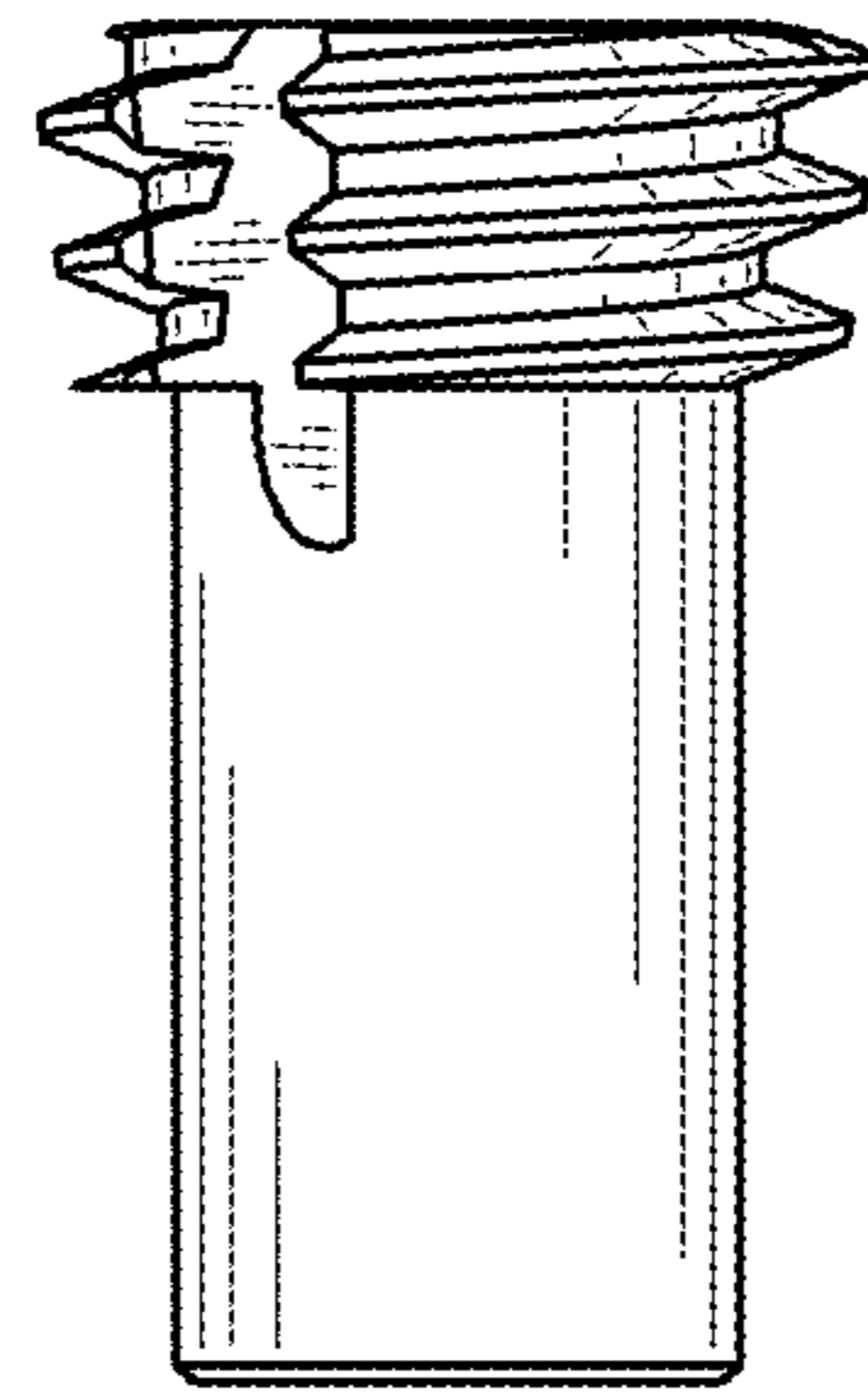
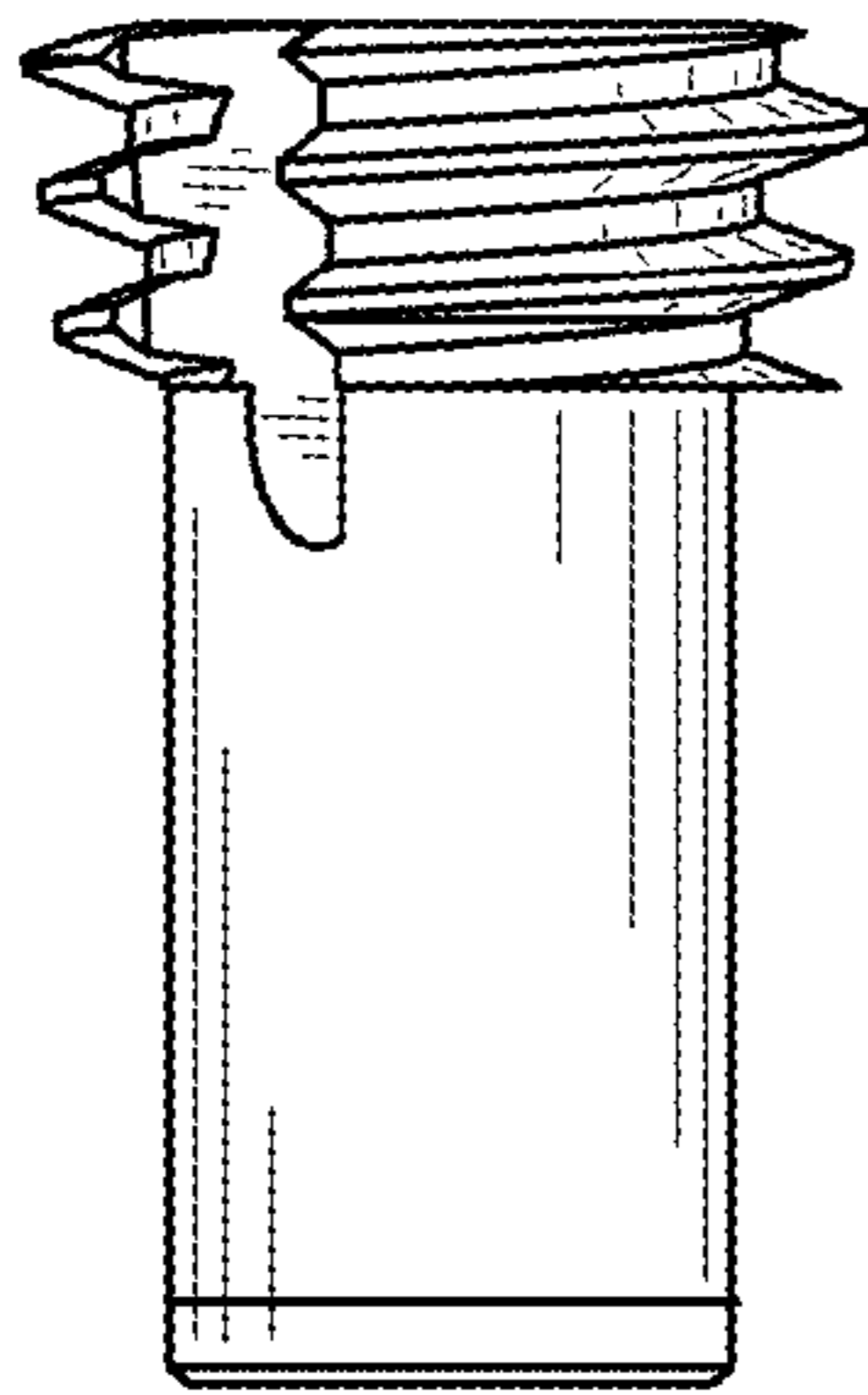


FIG. 4

FIG. 5

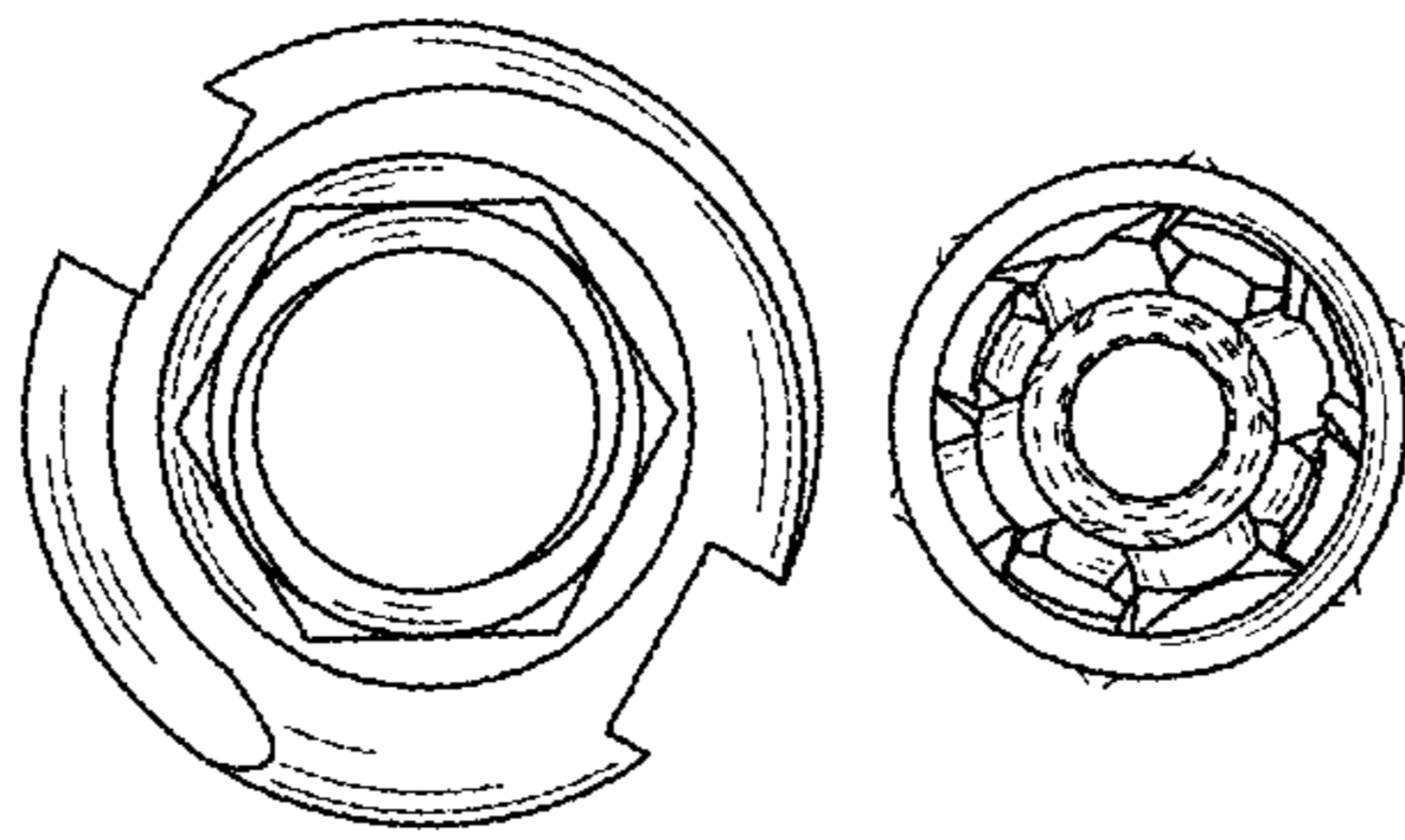


FIG. 6

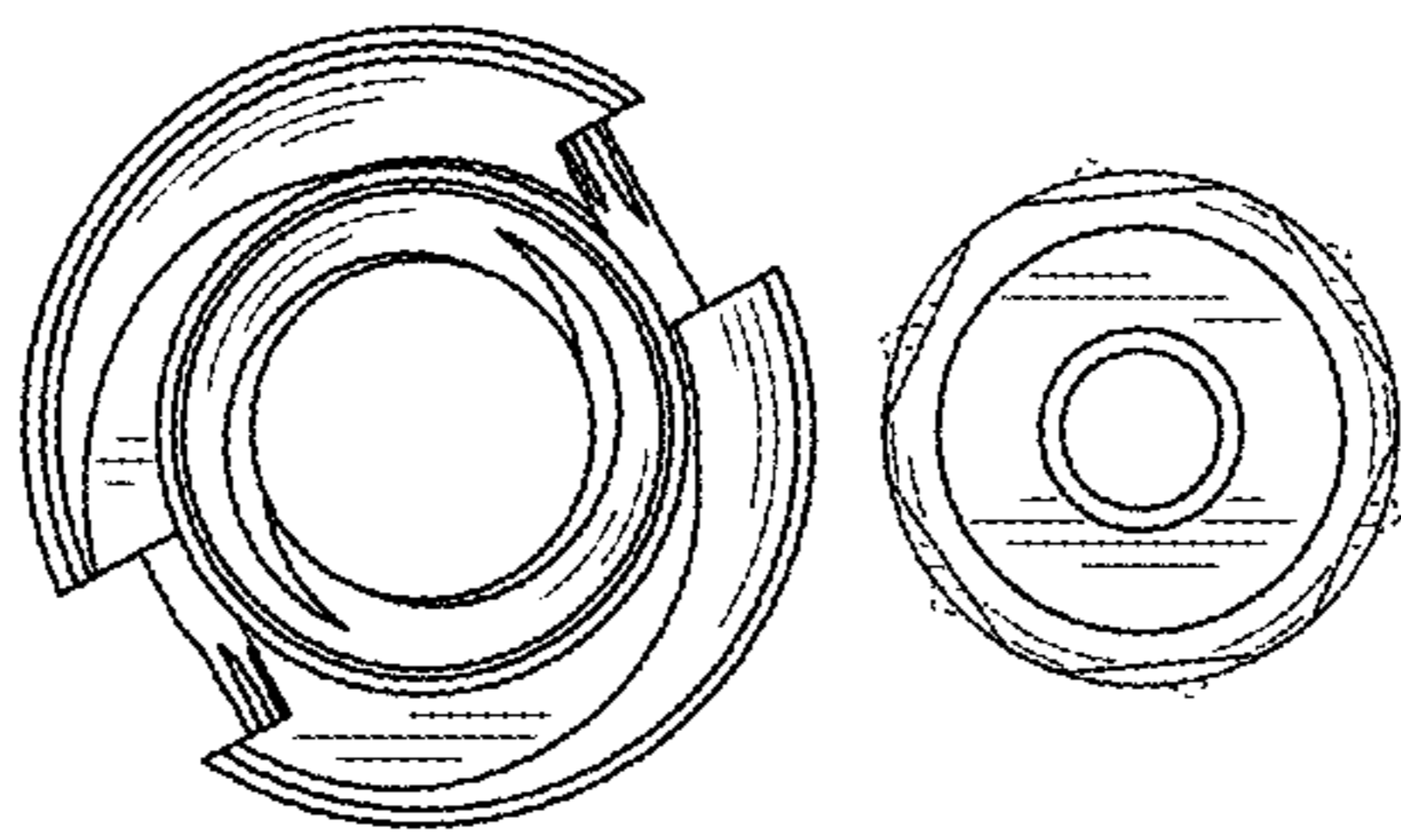


FIG. 7

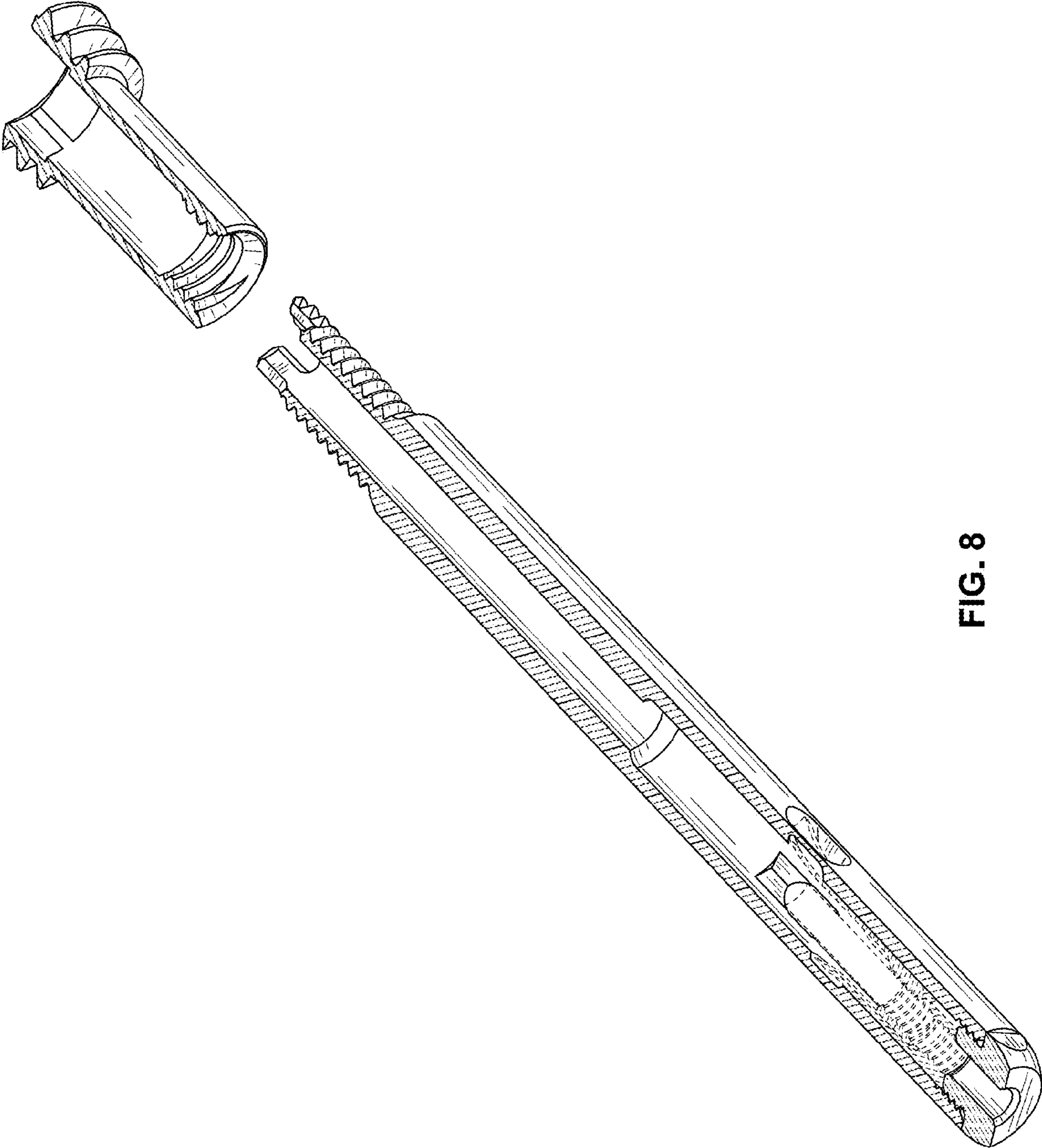


FIG. 8

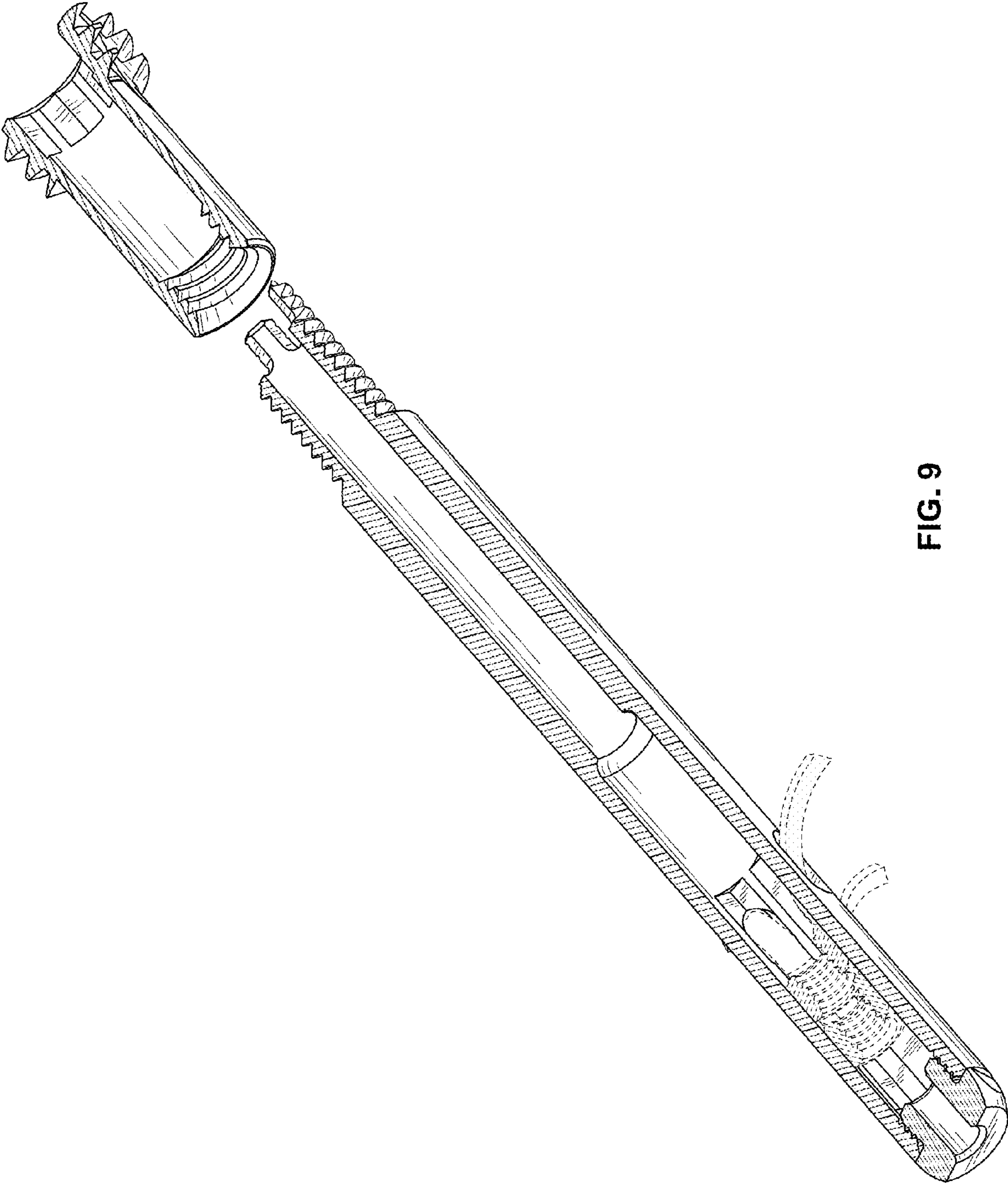


FIG. 9

UNITED STATES PATENT AND TRADEMARK OFFICE
CERTIFICATE OF CORRECTION

PATENT NO. : D939,704 S
APPLICATION NO. : 29/731929
DATED : December 28, 2021
INVENTOR(S) : Joel Bales and Kyle M. Schweser

Page 1 of 1

It is certified that error appears in the above-identified patent and that said Letters Patent is hereby corrected as shown below:

On the Title Page

Item (72) reads:

“Kyle W. Schweser”

Should read:

--Kyle M. Schweser--

Signed and Sealed this
Tenth Day of September, 2024
Katherine Kelly Vidal

Katherine Kelly Vidal
Director of the United States Patent and Trademark Office