



US00D939701S

(12) **United States Design Patent** (10) **Patent No.:** **US D939,701 S**  
**Siciliano** (45) **Date of Patent:** **\*\* Dec. 28, 2021**

- (54) **TATTOO MACHINE**
- (71) Applicant: **FK Irons Inc.**, Doral, FL (US)
- (72) Inventor: **Gaston Siciliano**, Doral, FL (US)
- (73) Assignee: **FK Irons Inc.**, Doral, FL (US)
- (\*\*) Term: **15 Years**
- (21) Appl. No.: **29/766,309**
- (22) Filed: **Jan. 14, 2021**

D852,954 S \* 7/2019 Ciferri ..... D24/144  
 D865,965 S 11/2019 Siciliano  
 D866,762 S 11/2019 Lee  
 (Continued)

**FOREIGN PATENT DOCUMENTS**

CN 205913635 2/2017  
 CN 304462021 1/2018  
 (Continued)

**OTHER PUBLICATIONS**

Steel Knurled Grip by Precision—Six Sizes from 13mm up to 32mm. Reviewed date: Jul. 26, 2019. Retrieved on Aug. 3, 2021. Retrieved from the internet: [https://www.painfulpleasures.com/stainless-steel-tattoo-knurled-grip-13mm-up-to-25mm-5-sizes.html?gclid=EAIaIQobChMlr9SExMGV8glVC6blCh07s . . . \\*](https://www.painfulpleasures.com/stainless-steel-tattoo-knurled-grip-13mm-up-to-25mm-5-sizes.html?gclid=EAIaIQobChMlr9SExMGV8glVC6blCh07s...)

(Continued)

*Primary Examiner* — Wan Laymon  
 (74) *Attorney, Agent, or Firm* — Akerman LLP; Peter A. Chiabotti

(57) **CLAIM**

The ornamental design for a tattoo machine, as shown and described.

**DESCRIPTION**

FIG. 1 is a perspective view of a tattoo machine showing my new design;  
 FIG. 2 is a bottom view thereof;  
 FIG. 3 is a top view thereof;  
 FIG. 4 is a left side view thereof;  
 FIG. 5 is a right side view thereof;  
 FIG. 6 is a front view thereof; and,  
 FIG. 7 is a rear view thereof.  
 The broken lines shown in the figures are for the purpose of illustrating portions of the tattoo machine and form no part of the claimed design.

**1 Claim, 4 Drawing Sheets**

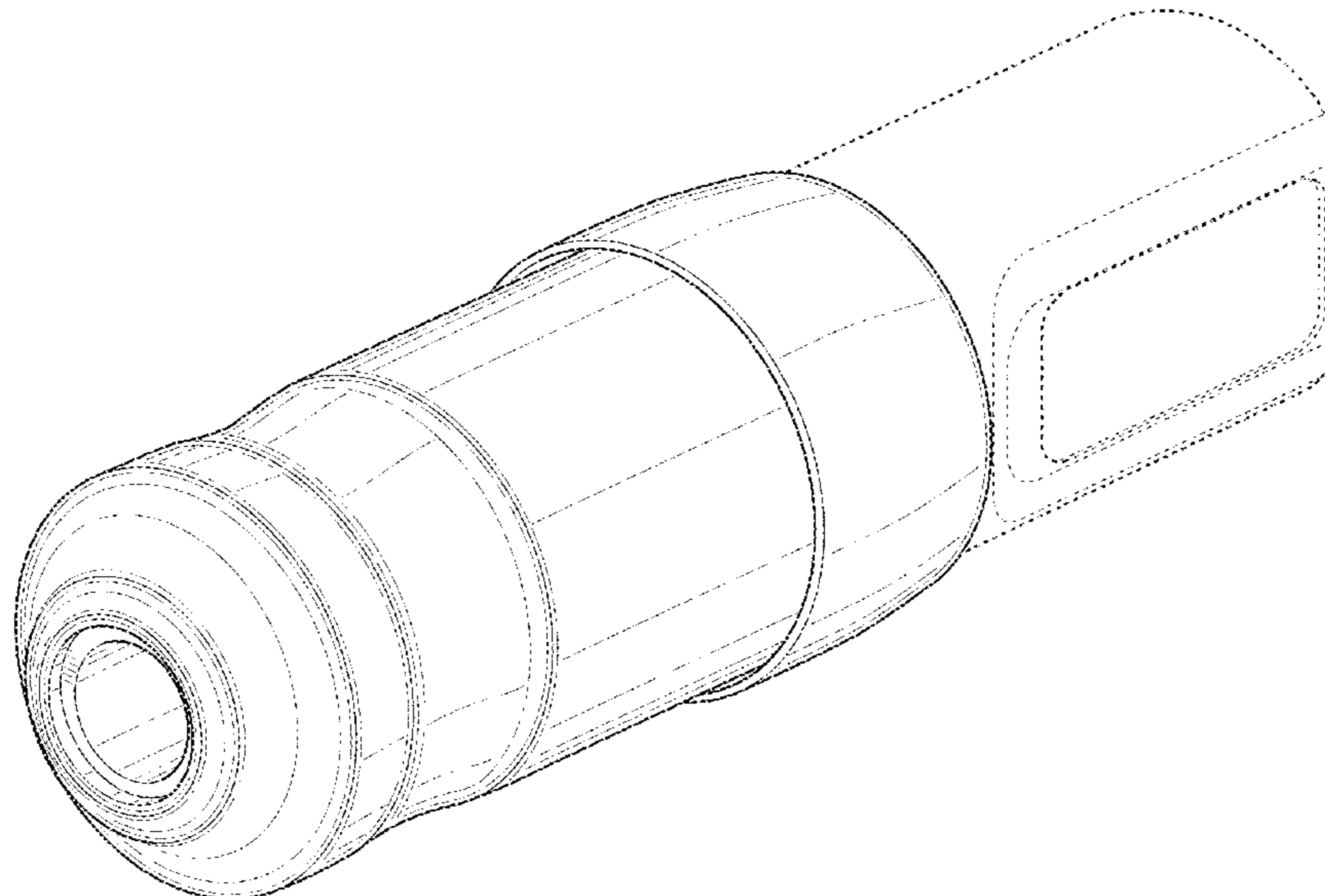
**Related U.S. Application Data**

- (62) Division of application No. 29/739,092, filed on Jun. 22, 2020, now Pat. No. Des. 910,846.
- (51) **LOC (13) Cl.** ..... **24-02**
- (52) **U.S. Cl.**  
USPC ..... **D24/144**
- (58) **Field of Classification Search**  
USPC ..... D24/144, 146, 170, 133, 147; D28/7;  
D19/199  
CPC ..... A61M 37/0076; A61M 37/0084; A61M 37/0092; A61M 5/48; A61M 5/482  
See application file for complete search history.

(56) **References Cited**

**U.S. PATENT DOCUMENTS**

D322,479 S 12/1991 Miyaguchi  
 D364,923 S 12/1995 Chou  
 7,380,480 B1 6/2008 Chen  
 D598,095 S \* 8/2009 Hansen ..... A61M 37/0076  
 D24/133  
 D655,815 S \* 3/2012 Miller ..... D24/133  
 8,668,663 B2 \* 3/2014 Kluge ..... A61M 37/0076  
 604/22  
 8,920,379 B2 12/2014 Lee  
 D746,448 S 12/2015 Wu et al.  
 D805,198 S 12/2017 Lee  
 D852,953 S \* 7/2019 Ciferri ..... D24/144



(56)

**References Cited**

U.S. PATENT DOCUMENTS

10,471,246	B1	11/2019	Lipscomb	
10,688,253	B2 *	6/2020	Neumetzler	..... A61M 37/0076
D893,716	S	8/2020	Siciliano	
D901,685	S	11/2020	Wang	
10,835,725	B2 *	11/2020	Xiao	..... A61M 37/0084
D903,866	S	12/2020	Chen	
D906,520	S	12/2020	Wang	
D910,175	S *	2/2021	Tegowski	..... D24/147
2018/0236178	A1 *	8/2018	Neumetzler	..... A61M 37/0076
2018/0369553	A1	12/2018	Siciliano	
2020/0114137	A1	4/2020	Siciliano	
2020/0398036	A1	12/2020	Wittendorff et al.	

FOREIGN PATENT DOCUMENTS

CN	305127063	4/2019
CN	305318880	8/2019

CN	305991727	8/2020
EM	006392221-0002	5/2019
EM	008158729-0001	9/2020
JP	D1103810	3/2001
JP	D1341174	10/2008
JP	D1341392	10/2008
KR	10-2017-0107817	9/2017
KR	10-2042176	11/2019
KR	30-1077593	10/2020
WO	2019/096936	5/2019

OTHER PUBLICATIONS

kingpintattoosupply.com, "FK Irons Spektra Flux Stealth with Additional PowerBolt," Retrieved on Jan. 4, 2021. Retrieved from the Internet: <https://kingpintattoosupply.com/products/tattoo-supplies/tattoo-machines-and-parts/pen-machinesfik-irons-spektra-flux?SelectedSKU=FKI-SF-SAP&ut . . . .>

\* cited by examiner

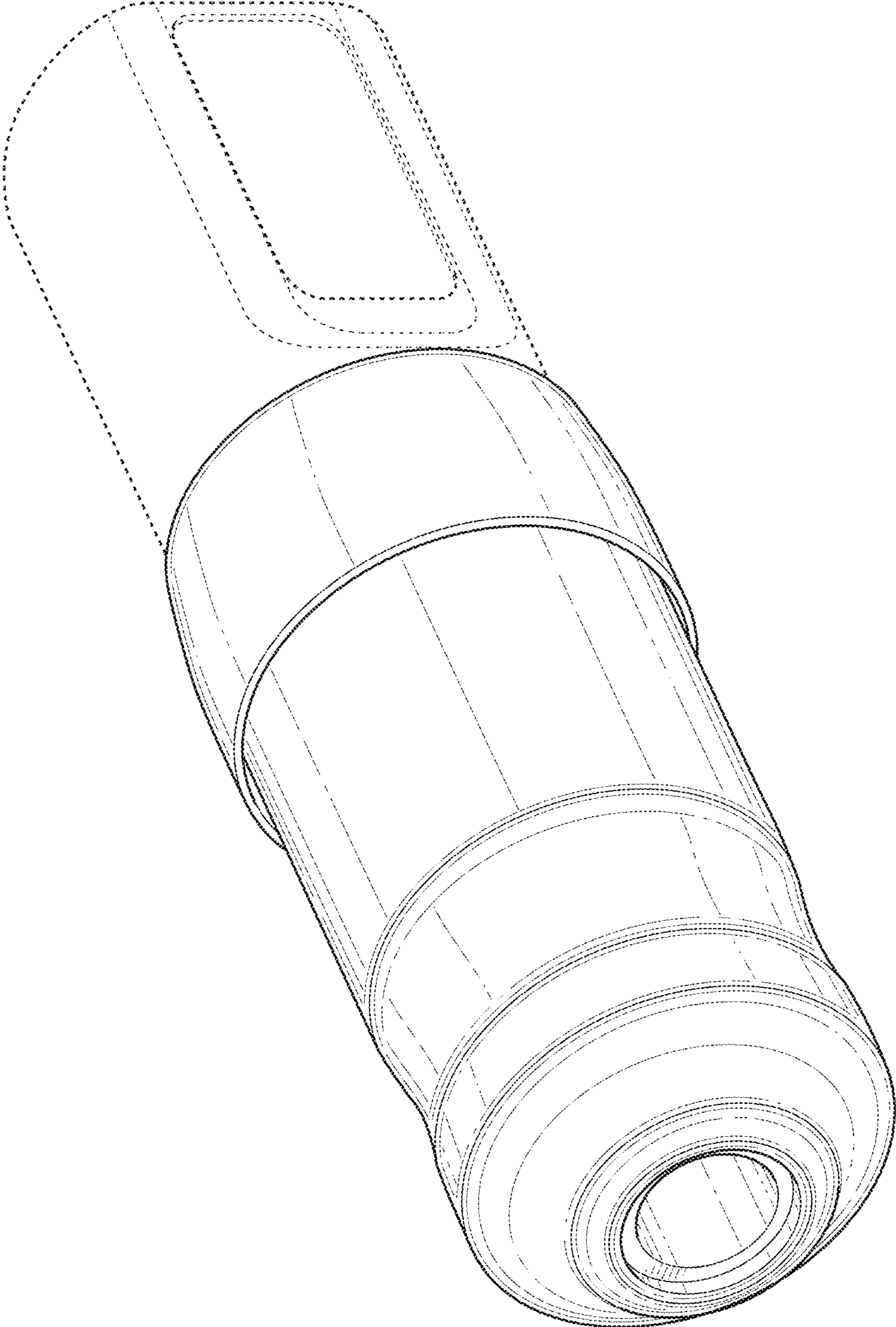
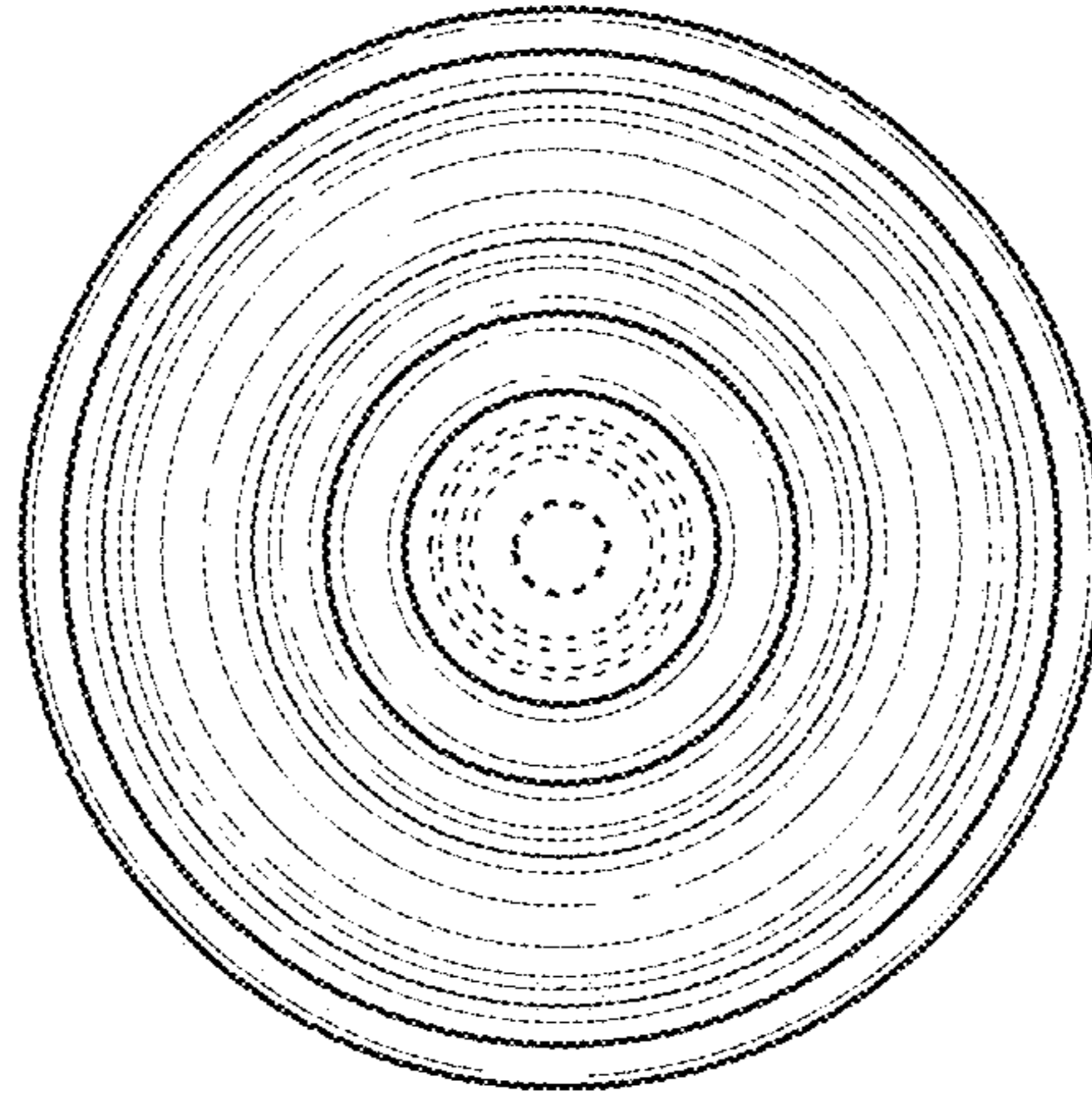
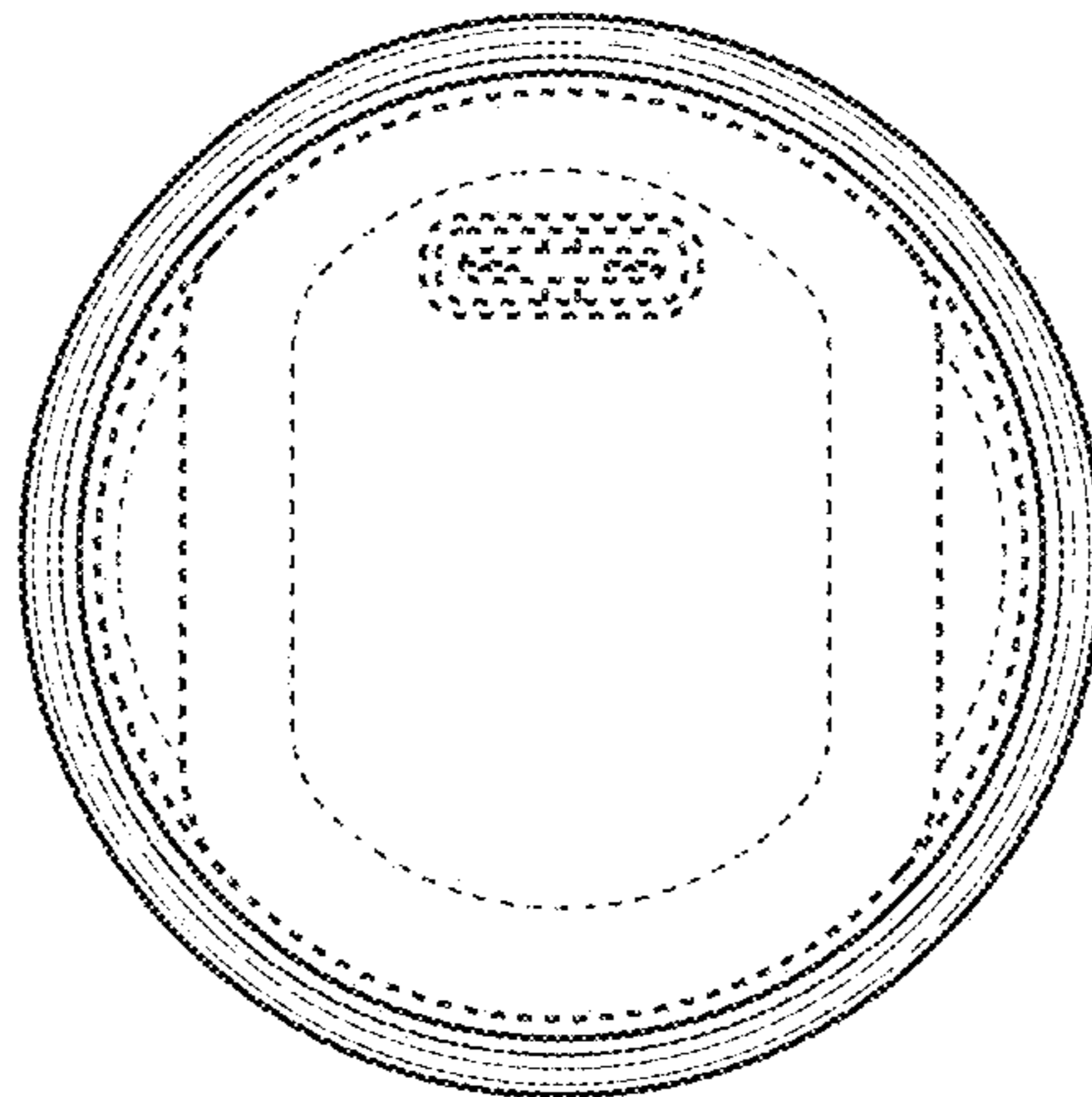


FIG. 1



**FIG. 2**



**FIG. 3**

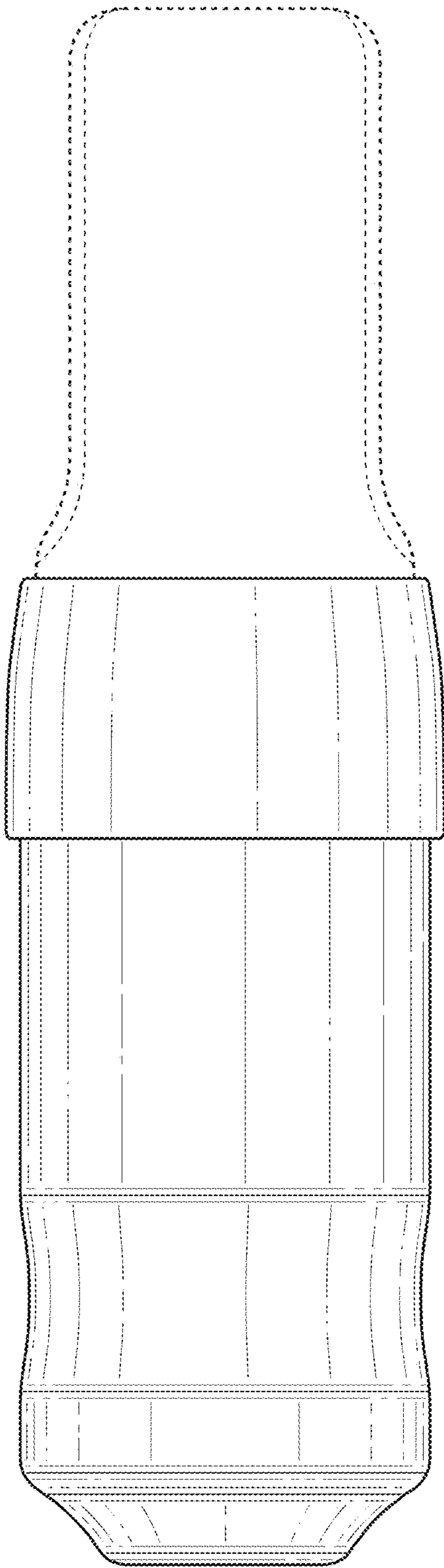


FIG. 4

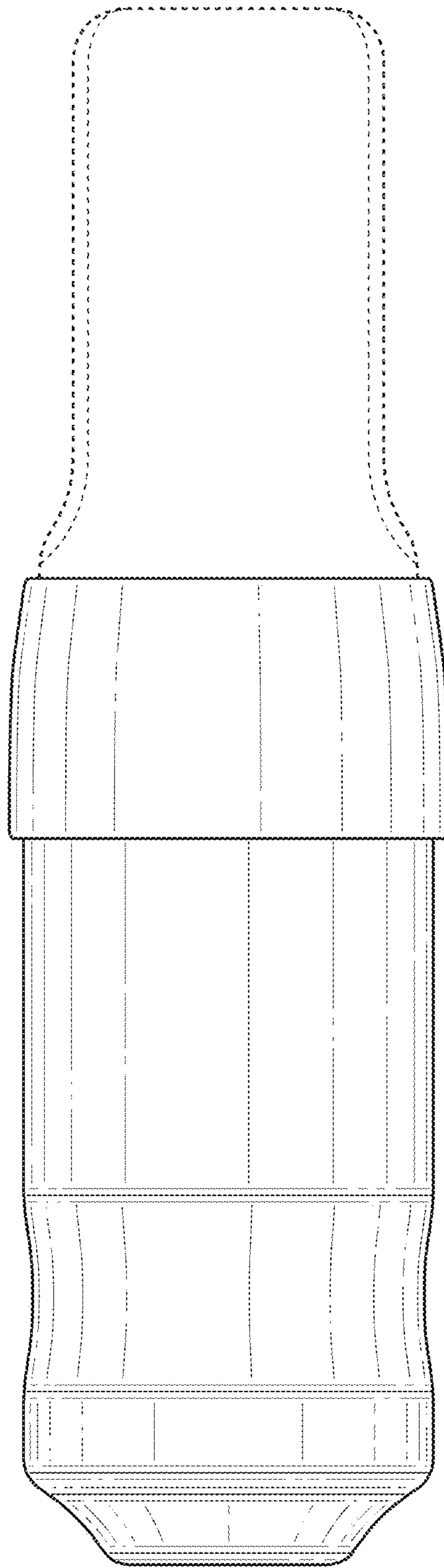


FIG. 5

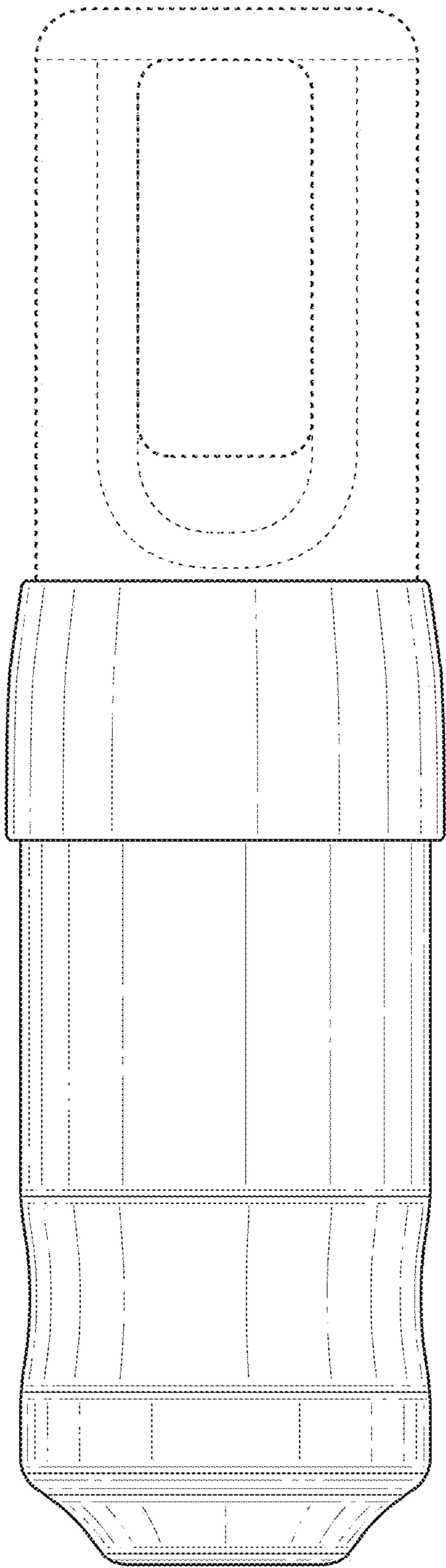


FIG. 6

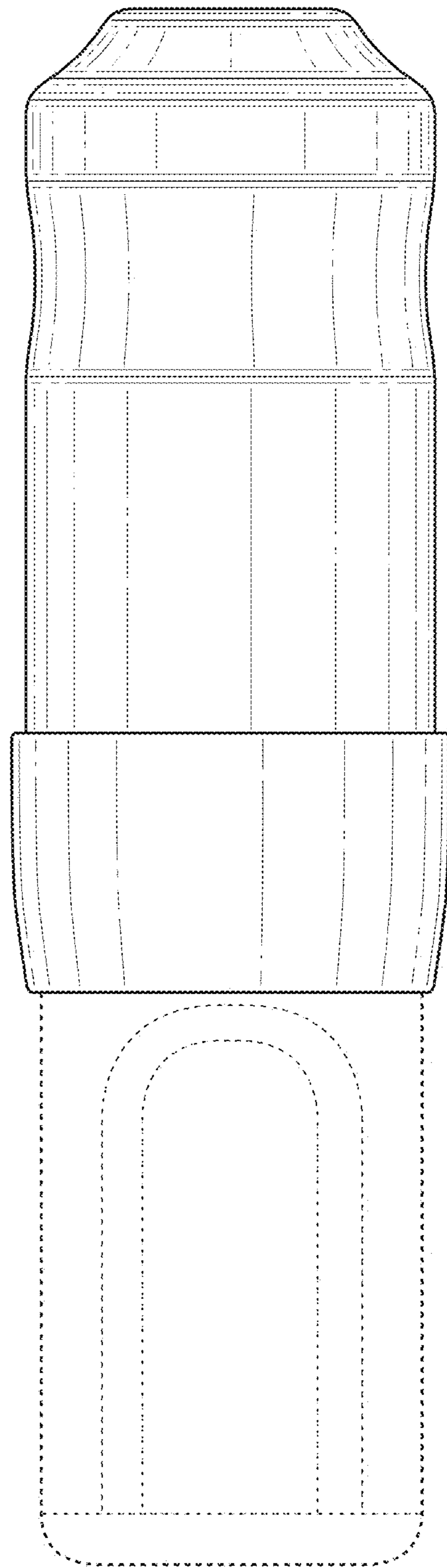


FIG. 7