



US00D939699S

(12) **United States Design Patent**
Lam et al.

(10) **Patent No.:** **US D939,699 S**

(45) **Date of Patent:** **** Dec. 28, 2021**

- (54) **WIRELESS STETHOSCOPE**
- (71) Applicant: **Quanta Computer Inc.**, Taoyuan (TW)
- (72) Inventors: **Barry Lam**, Taoyuan (TW);
Chia-Yuan Chang, Taoyuan (TW);
Jung-Wen Chang, Taoyuan (TW);
Kao-Yu Hsu, Taoyuan (TW)
- (73) Assignee: **QUANTA COMPUTER INC.**,
Taoyuan (TW)
- (**) Term: **15 Years**
- (21) Appl. No.: **29/724,631**
- (22) Filed: **Feb. 18, 2020**
- (30) **Foreign Application Priority Data**

Nov. 29, 2019 (TW) 108307293

(51) **LOC (13) Cl.** **24-02**

(52) **U.S. Cl.**
USPC **D24/134**

(58) **Field of Classification Search**
USPC D24/133, 134, 135, 136, 140, 167, 189,
D24/168, 187
CPC .. A61B 7/02; A61B 7/04; A61B 7/003; A61B
5/024; A61B 5/7282; A61B 5/742; A61B
17/17; A61B 17/16; A61B 17/11; A61B
17/00; A61B 17/1675; A61B 17/1764;
A61B 17/1767; A61B 18/00; A61B
19/00; A61F 2/46; A61F 2/4601; A61F
2/4603; A61F 2/461; A61F 2/3868; A61F
2002/4631

See application file for complete search history.

(56) **References Cited**

U.S. PATENT DOCUMENTS

- 2,829,727 A * 4/1958 Russek A61B 7/02
181/137
- 3,339,667 A * 9/1967 Speelman A61B 5/02233
181/137

- 4,461,368 A * 7/1984 Plourde A61B 7/02
181/131
- D327,325 S * 6/1992 Strand D24/168
- D327,739 S * 7/1992 Anderson D24/168
- D346,973 S * 5/1994 Moore D10/2
- 5,367,575 A * 11/1994 Dieken A61B 7/045
381/67
- D357,069 S * 4/1995 Plahn D24/187

(Continued)

Primary Examiner — T Chase Nelson

Assistant Examiner — Kelly L Gross

(74) *Attorney, Agent, or Firm* — McClure, Qualey &
Rodack, LLP

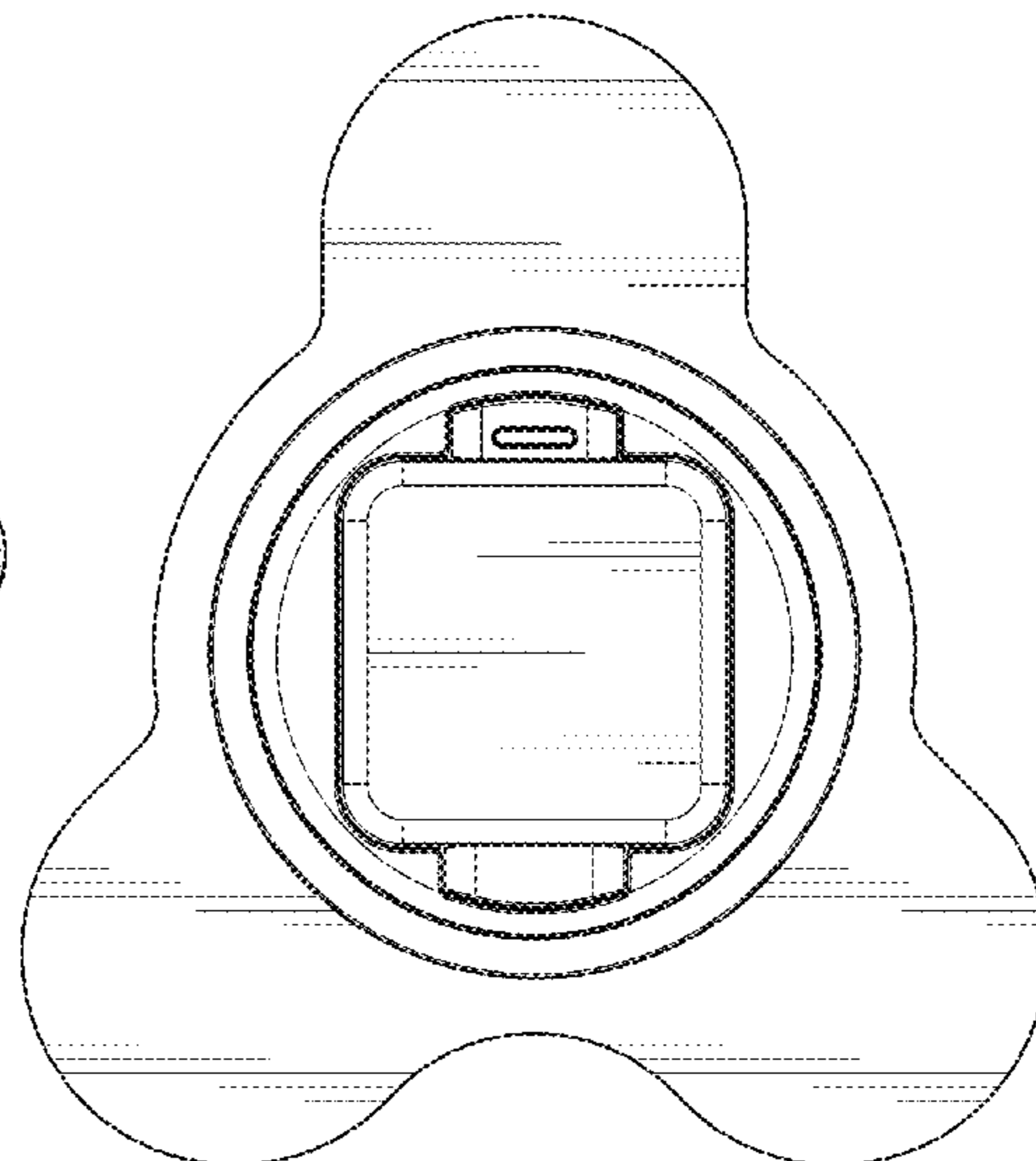
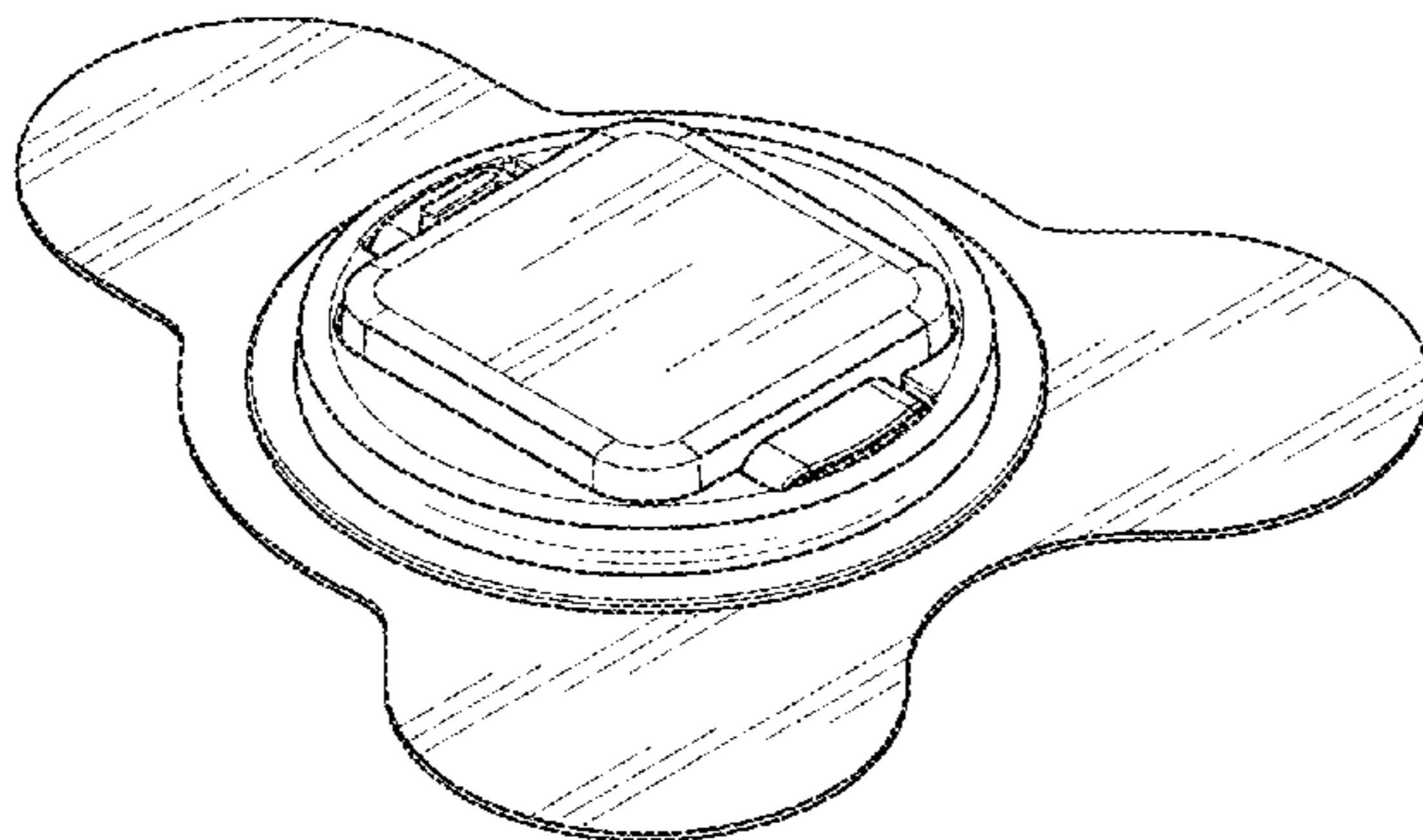
(57) **CLAIM**

The ornamental design for wireless stethoscope, as shown and described.

DESCRIPTION

FIG. 1 is a front perspective view of a wireless stethoscope in accordance with our new and ornamental design;
 FIG. 2 is a front view thereof;
 FIG. 3 is a rear view thereof;
 FIG. 4 is a left side view thereof;
 FIG. 5 is a right side view thereof;
 FIG. 6 is a top plan view thereof;
 FIG. 7 is a bottom plan view thereof; and,
 FIG. 8 is a reference view showing the wireless stethoscope connected to a connector depicted in broken lines, and the broken lines showing of the connector are for purposes of showing environment associated with the wireless stethoscope in condition of use and form no part of the claimed design.
 Broken lines, other than those described in the FIG. 8, show portions of the wireless stethoscope that form no part of the claimed design.

1 Claim, 6 Drawing Sheets



(56)

References Cited

U.S. PATENT DOCUMENTS

5,448,025	A *	9/1995	Stark	A61B 7/02	D772,074	S *	11/2016	Gray	D9/702
				181/131	D779,988	S *	2/2017	Vu	D10/132
5,511,548	A *	4/1996	Riazzi	A61B 5/25	D786,421	S *	5/2017	Andersen	D24/108
				600/391	D787,684	S *	5/2017	Vežina	D24/187
5,686,706	A *	11/1997	Wurzburger	A61B 7/026	D788,292	S *	5/2017	Andersen	D24/108
				181/131	D795,713	S *	8/2017	Pugmire	D10/57
D387,160	S *	12/1997	Moore	D24/134	D796,029	S *	8/2017	Hanuka	D24/118
5,747,752	A *	5/1998	Selinger	A61B 7/02	D796,046	S *	8/2017	Sadot	D24/186
				181/131	D796,682	S *	9/2017	Falk	D24/186
5,909,495	A *	6/1999	Andrea	A61B 7/04	D798,170	S *	9/2017	Toth	D10/70
				381/67	D804,674	S *	12/2017	Im	D24/186
5,920,038	A *	7/1999	Foster	A61B 7/02	D806,254	S *	12/2017	Im	D24/186
				181/131	D812,397	S *	3/2018	Davis	D6/608
5,921,941	A *	7/1999	Longobardo	A61B 7/02	D813,498	S *	3/2018	Lavin, Jr.	D2/853
				600/528	D815,289	S *	4/2018	Evers	D24/169
6,019,187	A *	2/2000	Appavu	A61B 7/02	D816,229	S *	4/2018	Frick	D24/169
				181/131	D821,587	S *	6/2018	Vosch	D24/187
D423,674	S *	4/2000	Bassøe	D24/187	D821,588	S *	6/2018	Vosch	D24/187
6,206,134	B1 *	3/2001	Stark	A61B 7/02	D821,593	S *	6/2018	Perez	D24/200
				181/131	D824,034	S *	7/2018	Pushpala	D24/186
D445,184	S *	7/2001	Meyer	D24/134	RE47,100	E *	10/2018	Smith	D24/189
D449,891	S *	10/2001	Moro	D24/165	D830,856	S *	10/2018	Golnik	D10/30
D477,405	S *	7/2003	Sommerfeld	D24/134	D831,830	S *	10/2018	Lemons	D24/168
D478,173	S *	8/2003	Nielsen	D24/187	D838,370	S *	1/2019	Bardy	D24/167
D478,668	S *	8/2003	Epstein	D24/187	D842,996	S *	3/2019	Frick	D24/169
D480,811	S *	10/2003	Horhota	D24/189	D846,418	S *	4/2019	Yang	D10/106.8
D481,131	S *	10/2003	Saim	D24/189	D847,982	S *	5/2019	Falkenberg	D24/128
D511,004	S *	10/2005	Masuda	D24/187	10,307,132	B2 *	6/2019	Chung	A61L 2/10
D511,384	S *	11/2005	Masuda	D24/187	D852,965	S *	7/2019	Bahney	A61B 5/6833
6,966,400	B1 *	11/2005	Rollins	A61B 7/02					D24/186
				181/131	D855,191	S *	7/2019	Hong	D24/186
D525,362	S *	7/2006	Nielsen	D24/168	D857,205	S *	8/2019	Lemons	D24/168
D547,448	S *	7/2007	Jones	D24/134	D866,769	S *	11/2019	Yosef	D24/189
D558,882	S *	1/2008	Brady	D24/187	D868,993	S *	12/2019	Isozaki	D24/224
D567,949	S *	4/2008	Lash	D24/168	D875,927	S *	2/2020	Ohashi	D24/134
D584,414	S *	1/2009	Lash	D24/187	D879,305	S *	3/2020	Gu	D24/187
D615,657	S *	5/2010	Anderson	D24/187	10,631,824	B2 *	4/2020	Liu	A61B 8/4281
D625,804	S *	10/2010	Stemberger	D24/134	D891,622	S *	7/2020	Ye	D24/167
D635,667	S *	4/2011	Soerensen	D24/134	D893,043	S *	8/2020	Ou Yang	D24/217
D639,426	S *	6/2011	Boyd	D24/134	D895,925	S *	9/2020	Wieser	D99/5
D639,437	S *	6/2011	Bishay	D24/167	D898,596	S *	10/2020	Golnik	D10/70
D643,929	S *	8/2011	DelloStritto	D24/165	D907,213	S *	1/2021	Vosch	D24/187
D665,085	S *	8/2012	Strother	D24/187	D909,894	S *	2/2021	Jastrzebski	D10/56
D675,738	S *	2/2013	Baumer	D24/168	D911,317	S *	2/2021	Vautour	D14/223
D683,020	S *	5/2013	Boutte	D24/158	D911,520	S *	2/2021	Lin	D24/134
8,463,388	B2 *	6/2013	Wei	A61N 1/36021	D914,219	S *	3/2021	Huang	D24/187
				607/46	D918,393	S *	5/2021	Geissen	D24/168
D691,730	S *	10/2013	Smith	D24/189	2006/0283656	A1 *	12/2006	Lin	A61B 7/02
D701,964	S *	4/2014	Yoneta	D24/187					181/131
D709,204	S *	7/2014	Kovach	D24/187	2007/0058818	A1 *	3/2007	Yoshimine	A61B 7/04
D711,532	S *	8/2014	Habboushe	D24/134					381/67
D717,955	S *	11/2014	Bishay	D24/167	2008/0137876	A1 *	6/2008	Kassal	A61B 7/04
D719,267	S *	12/2014	Vaccarella	D24/187					381/67
D739,776	S *	9/2015	Vu	D10/103	2012/0190303	A1 *	7/2012	Wong	A61B 7/02
D746,993	S *	1/2016	Lewis, Jr.	D24/187					455/41.2
D746,994	S *	1/2016	Lewis, Jr.	D24/187	2012/0310115	A1 *	12/2012	Bedingham	A61B 5/002
9,414,803	B1 *	8/2016	Naqvi	A61B 7/04					600/586
					2017/0336227	A1 *	11/2017	Dwarika	G01D 11/30
					2019/0150880	A1 *	5/2019	Campbell	A61B 7/02
					2020/0289083	A1 *	9/2020	Ogawa	A61B 7/02

* cited by examiner

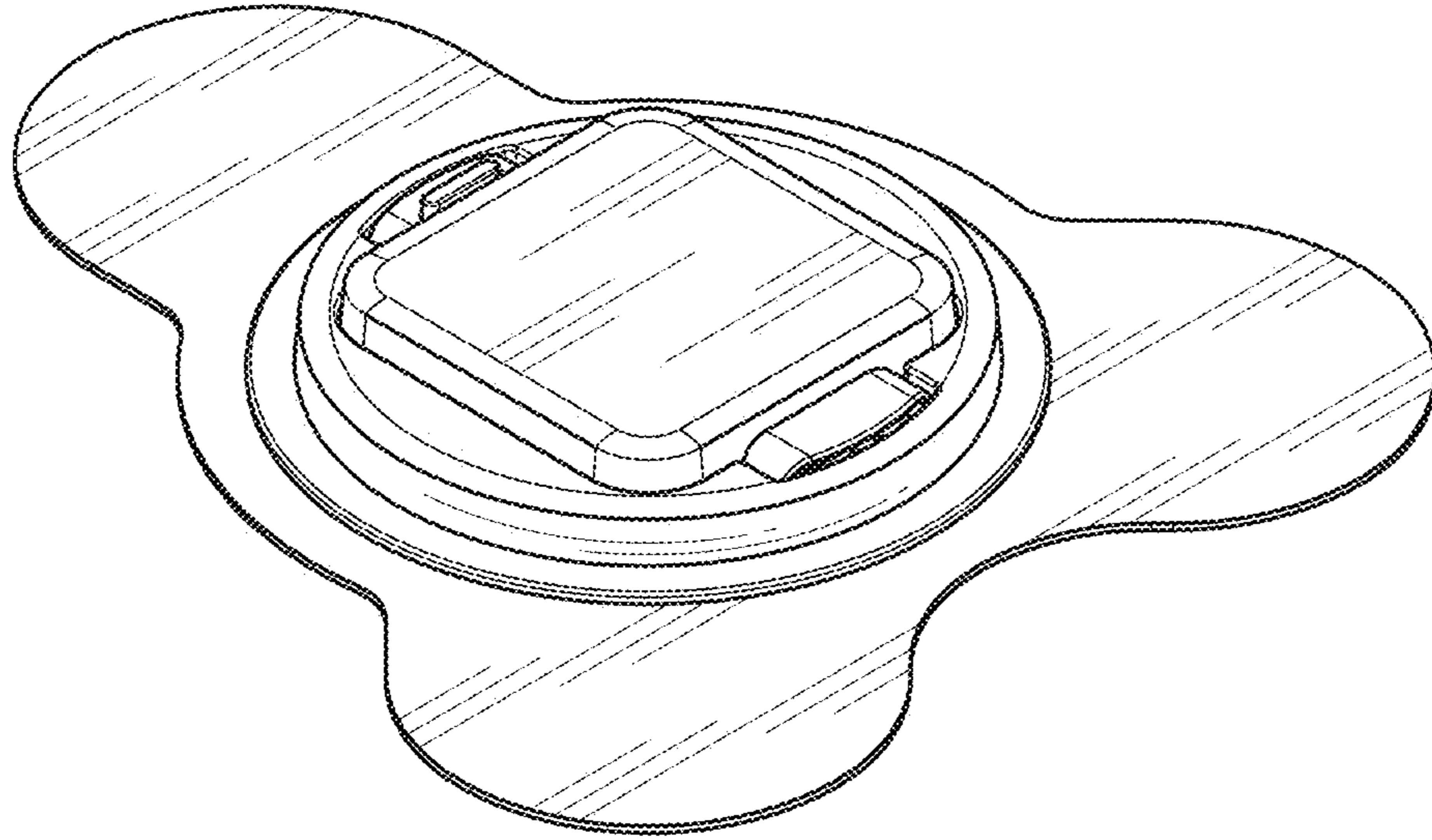


FIG. 1

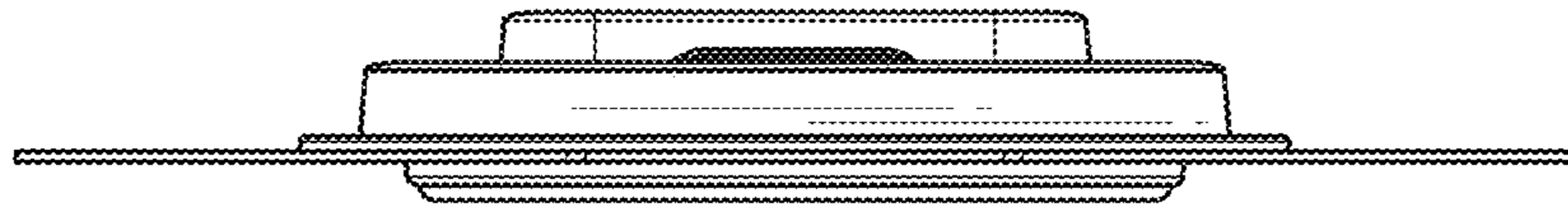


FIG. 2

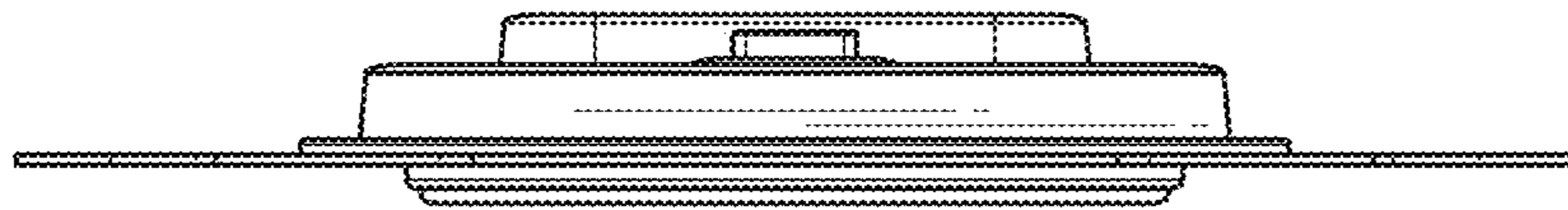


FIG. 3

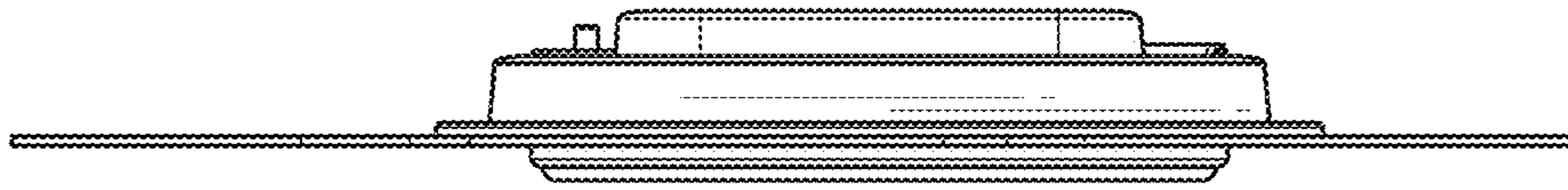


FIG. 4

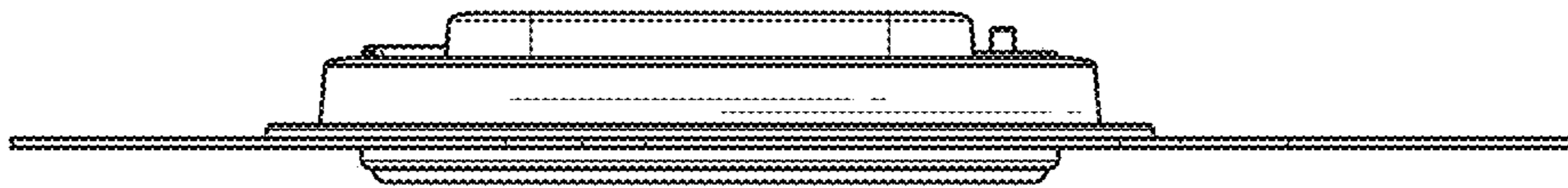


FIG. 5

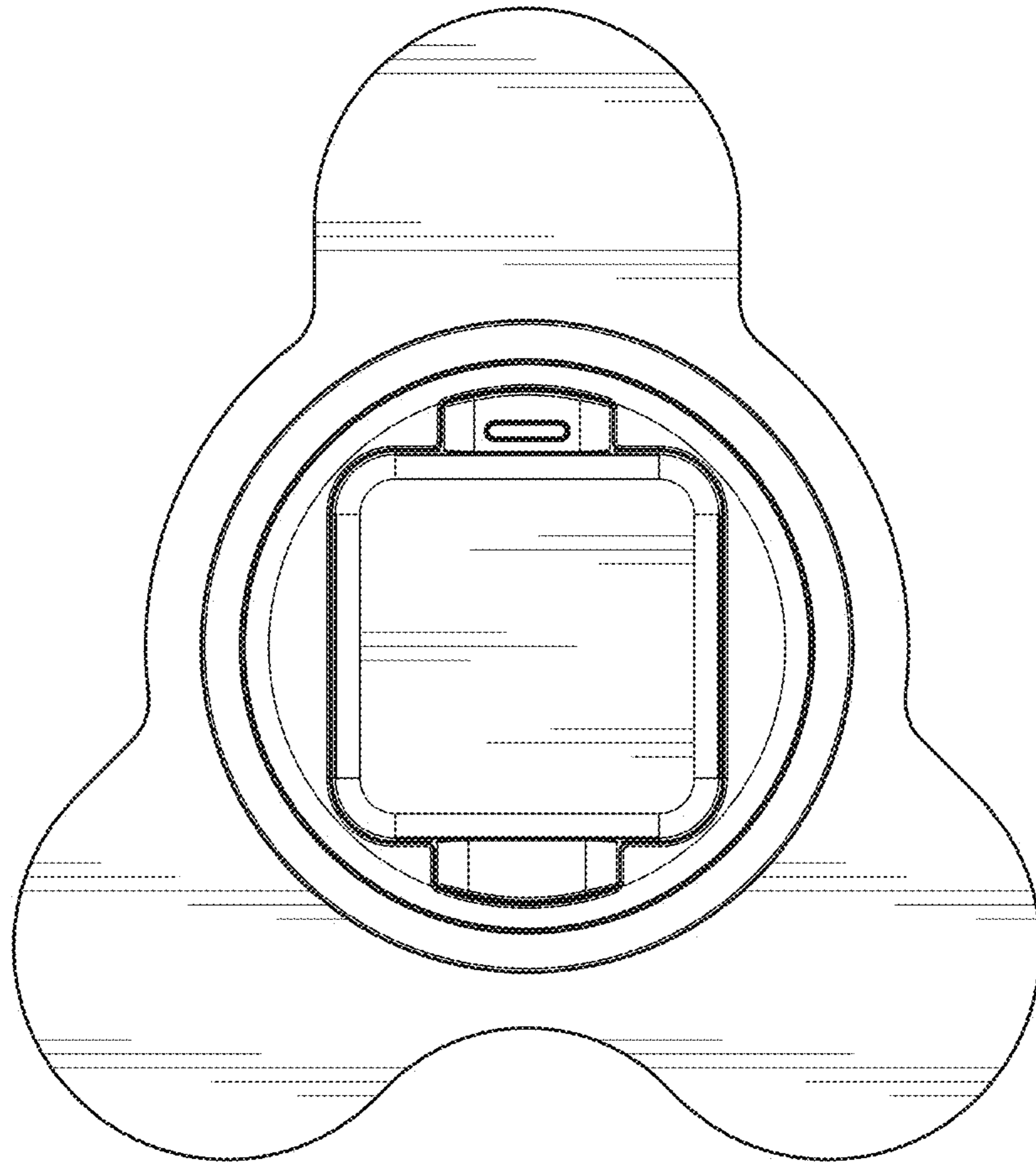


FIG. 6

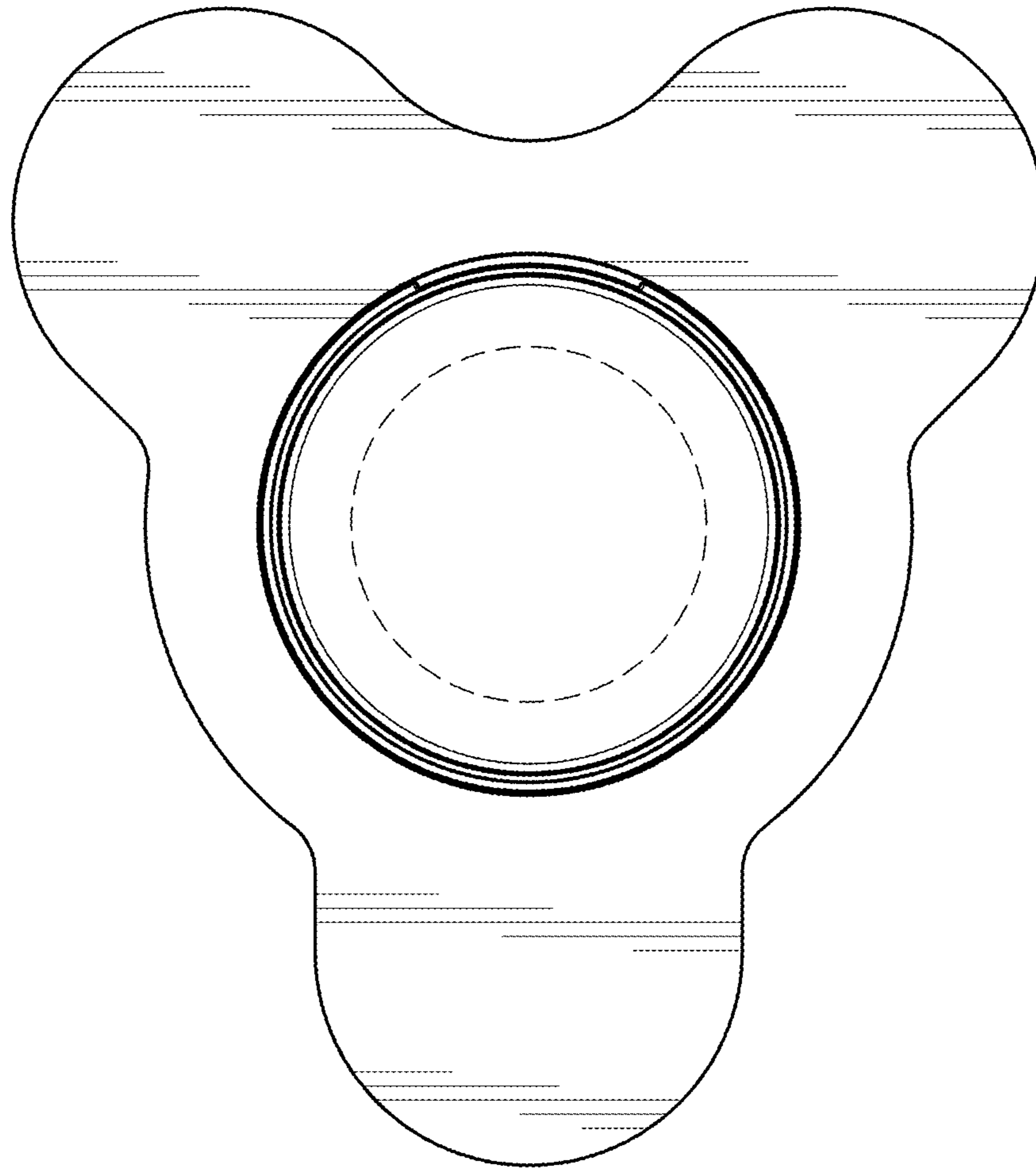


FIG. 7

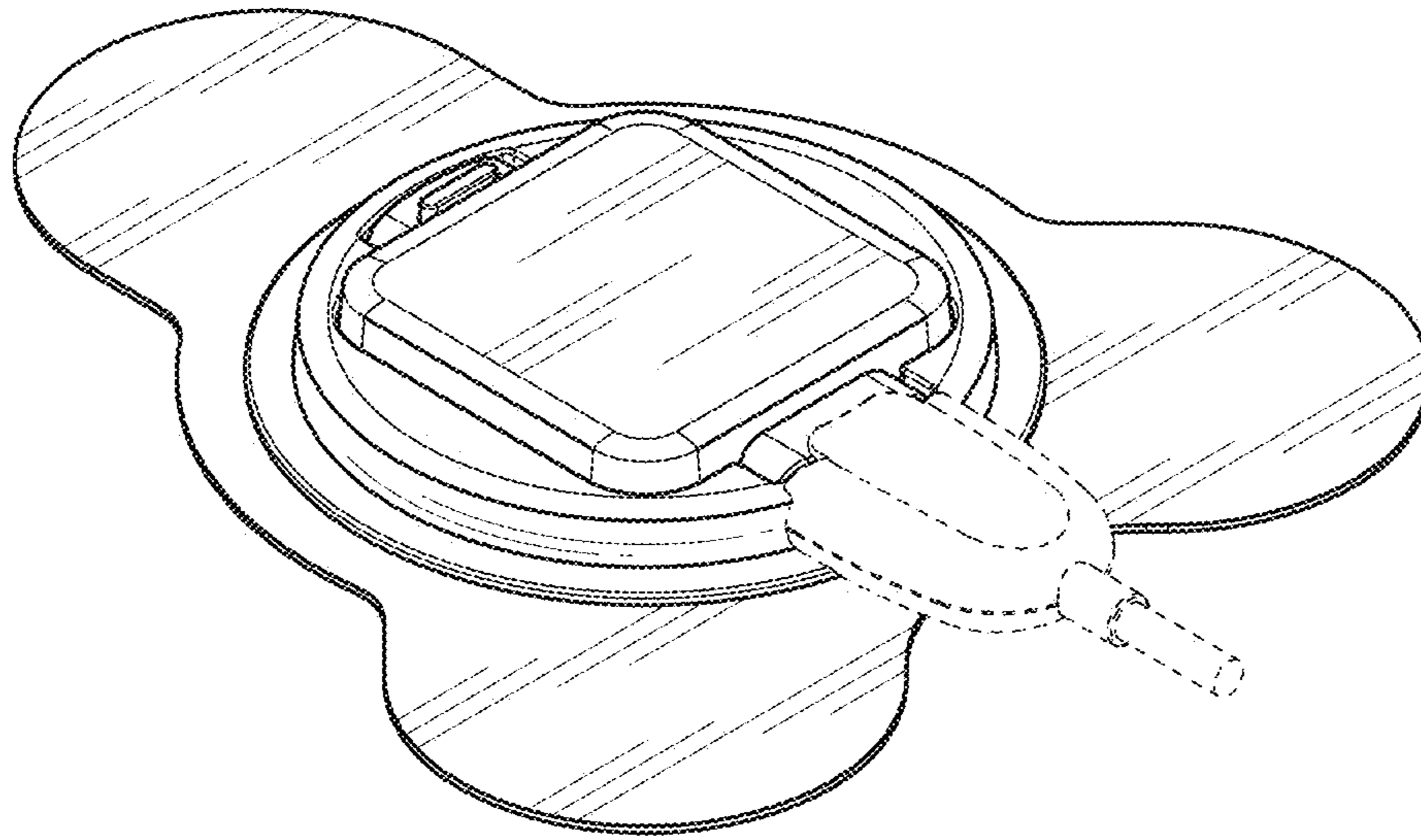


FIG. 8