



US00D939697S

(12) **United States Design Patent** (10) **Patent No.:** **US D939,697 S**
Servedio (45) **Date of Patent:** **** Dec. 28, 2021**

(54) **BROKEN SCREW EXTRACTOR**
(71) Applicant: **Shukla Medical**, St. Petersburg, FL (US)
(72) Inventor: **Brian Joseph Servedio**, St. Petersburg, FL (US)
(73) Assignee: **Shukla Medical**, St. Petersburg, FL (US)
(**) Term: **15 Years**
(21) Appl. No.: **29/704,000**
(22) Filed: **Aug. 30, 2019**
(51) **LOC (13) Cl.** **24-02**
(52) **U.S. Cl.**
USPC **D24/133**
(58) **Field of Classification Search**
USPC D8/14, 21, 27, 28, 29, 70, 382
CPC B25B 13/02; B25B 13/48; B25B 13/485;
B25B 13/56; B25B 23/0071; B25B 13/06;
B25B 13/065; B25B 15/02; B23K
20/1255
See application file for complete search history.

(56) **References Cited**
U.S. PATENT DOCUMENTS
D376,521 S * 12/1996 Farnan D8/29
6,575,057 B1 * 6/2003 Ploeger B25B 13/48
81/441
D629,820 S * 12/2010 Van Ryswyk D15/139
D664,019 S * 7/2012 Li D8/86
D708,920 S * 7/2014 Lee D8/21
D749,384 S * 2/2016 Chang D8/25
D794,409 S * 8/2017 Anderson D8/86
D834,903 S * 12/2018 Lee D8/29
D879,577 S * 3/2020 Kukucka D8/86
2010/0064863 A1 * 3/2010 Kozak B25B 13/485
81/451

(Continued)

Primary Examiner — Philip S Hyder
(74) *Attorney, Agent, or Firm* — Kim IP Law Group

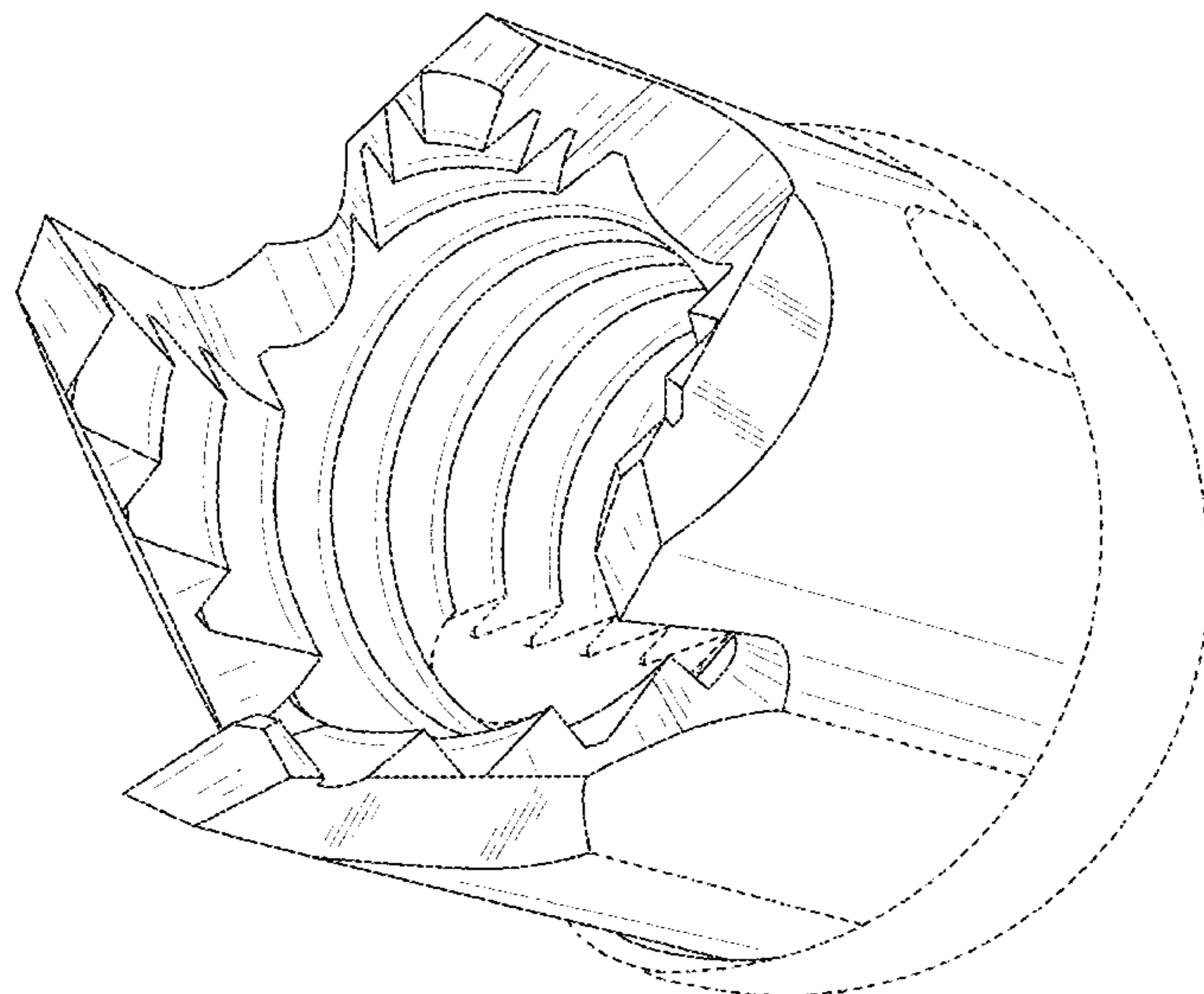
(57) **CLAIM**

The ornamental design for a broken screw extractor, as shown and described.

DESCRIPTION

FIG. 1 is an enlarged perspective view of a broken screw extractor in accordance with the new design;
FIG. 2 is an enlarged front view of the broken screw extractor of FIG. 1;
FIG. 3 is an enlarged rear view of the broken screw extractor of FIG. 1;
FIG. 4 is an enlarged right side view of the broken screw extractor of FIG. 1;
FIG. 5 is an enlarged left side view of the broken screw extractor of FIG. 1;
FIG. 6 is an enlarged top view of the broken screw extractor of FIG. 1;
FIG. 7 is an enlarged bottom view of the broken screw extractor of FIG. 1;
FIG. 8 is a perspective view of the broken screw extractor of FIG. 1;
FIG. 9 is a front view of the broken screw extractor of FIG. 1;
FIG. 10 is a rear view of the broken screw extractor of FIG. 1;
FIG. 11 is a right side view of the broken screw extractor of FIG. 1;
FIG. 12 is a left side view of the broken screw extractor of FIG. 1;
FIG. 13 is a top view of the broken screw extractor of FIG. 1; and,
FIG. 14 is a bottom view of the broken screw extractor of FIG. 1.
The broken lines in the figures are directed to portions of the broken screw extractor that form no part of the claimed design.

1 Claim, 8 Drawing Sheets



(56)

References Cited

U.S. PATENT DOCUMENTS

2011/0252925 A1* 10/2011 Whitehead B25B 15/005
81/53.2
2012/0061146 A1* 3/2012 Pearce E21B 10/26
175/58

* cited by examiner

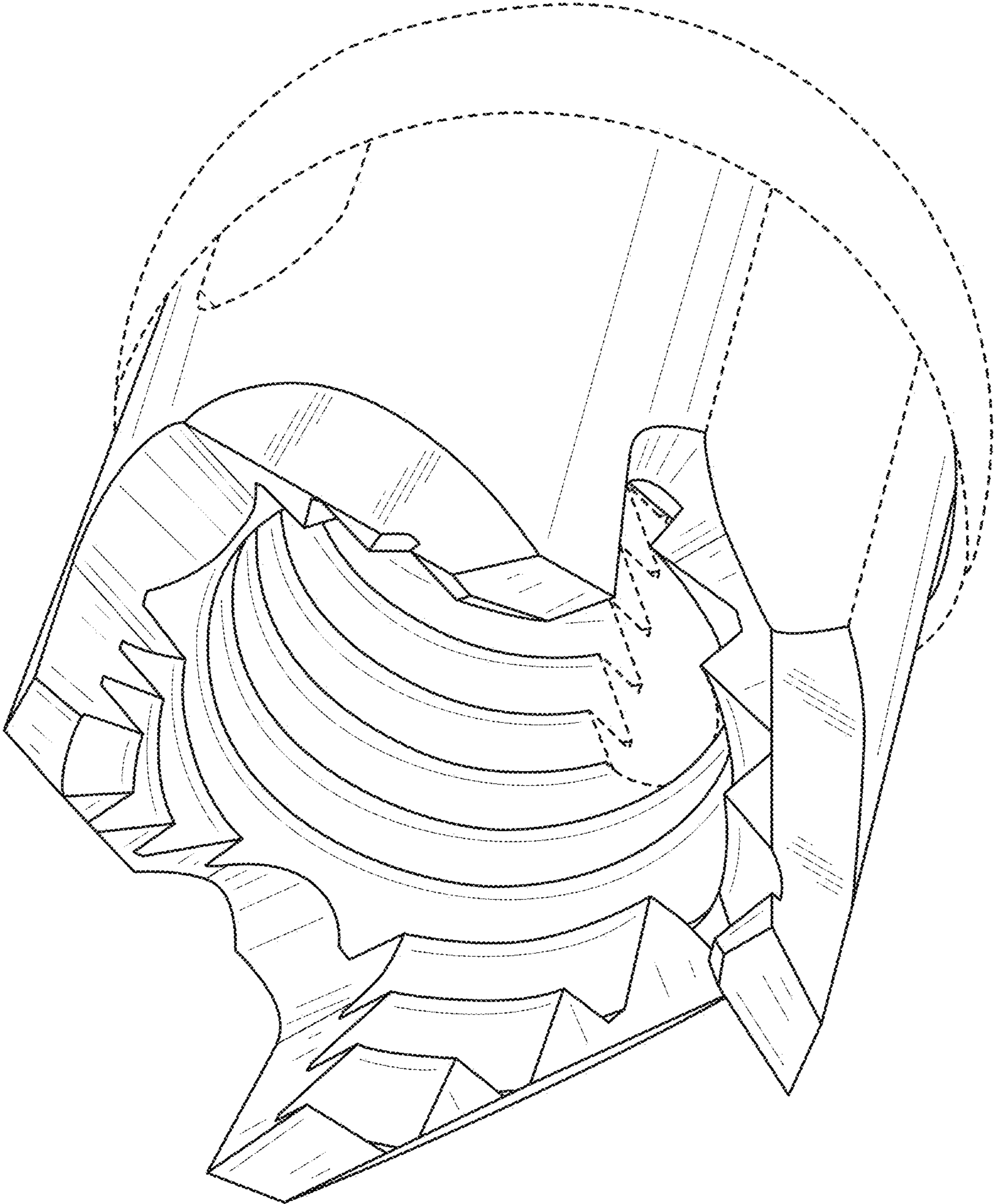


FIG. 1

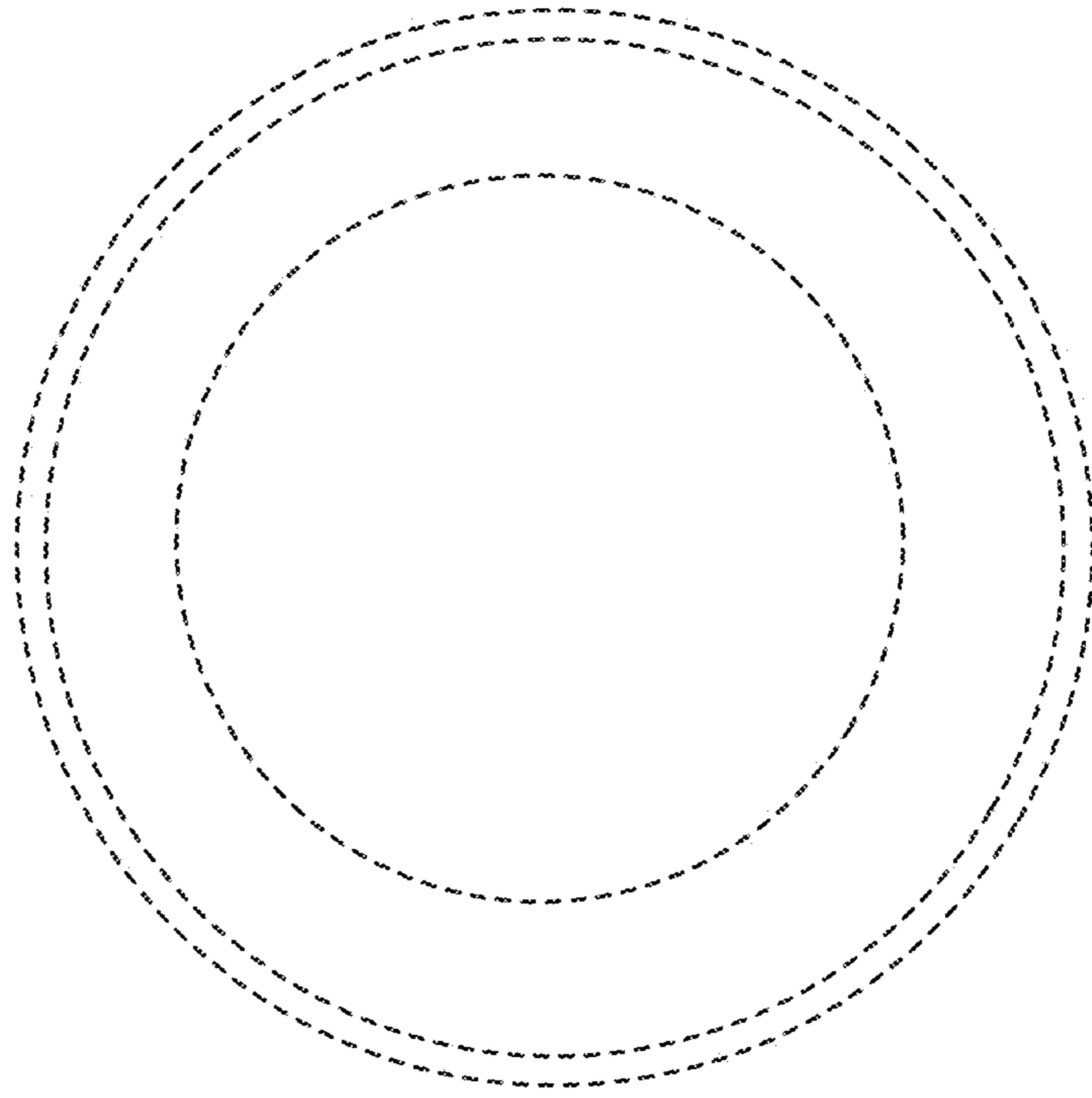


FIG. 3

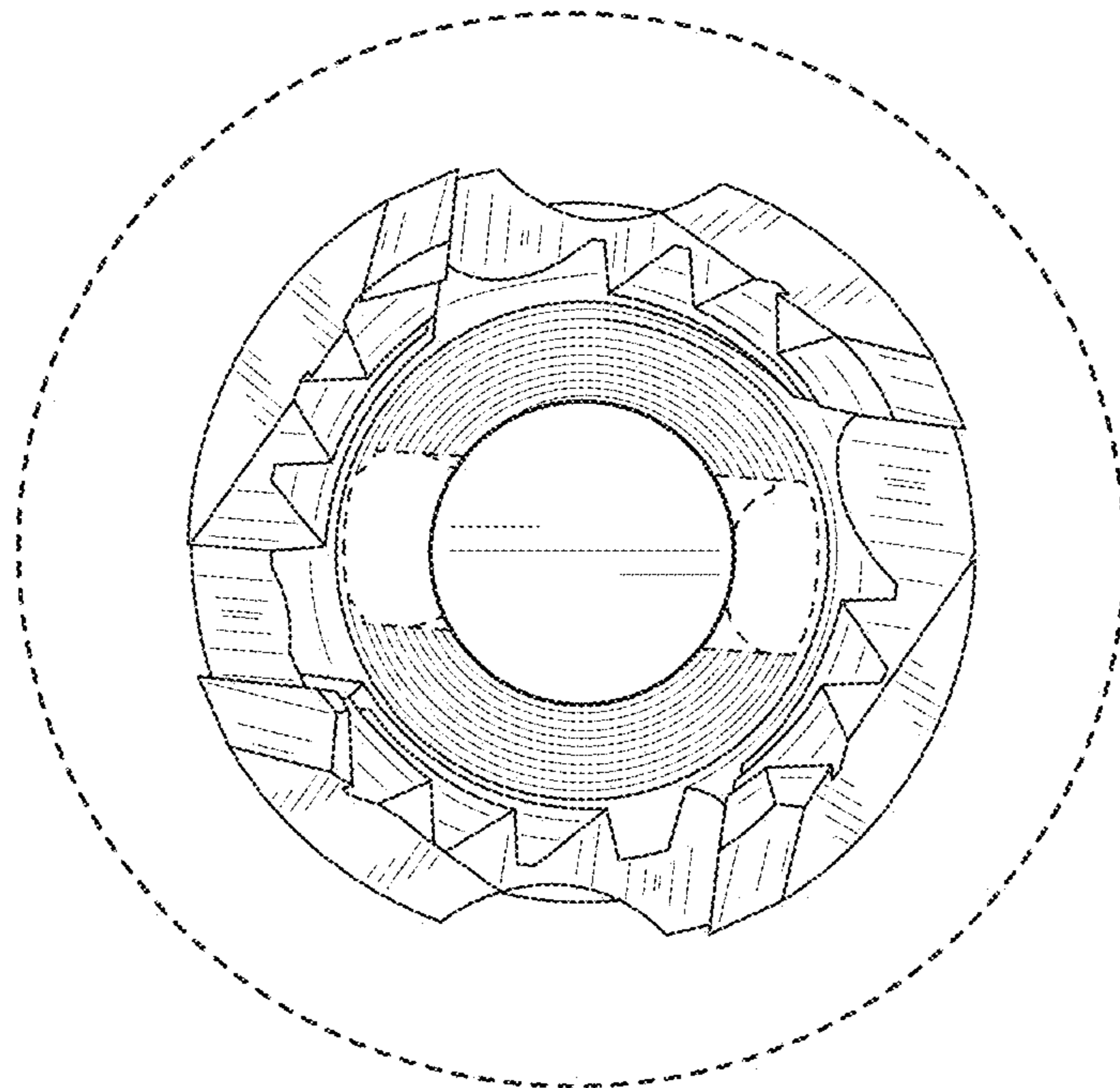


FIG. 2

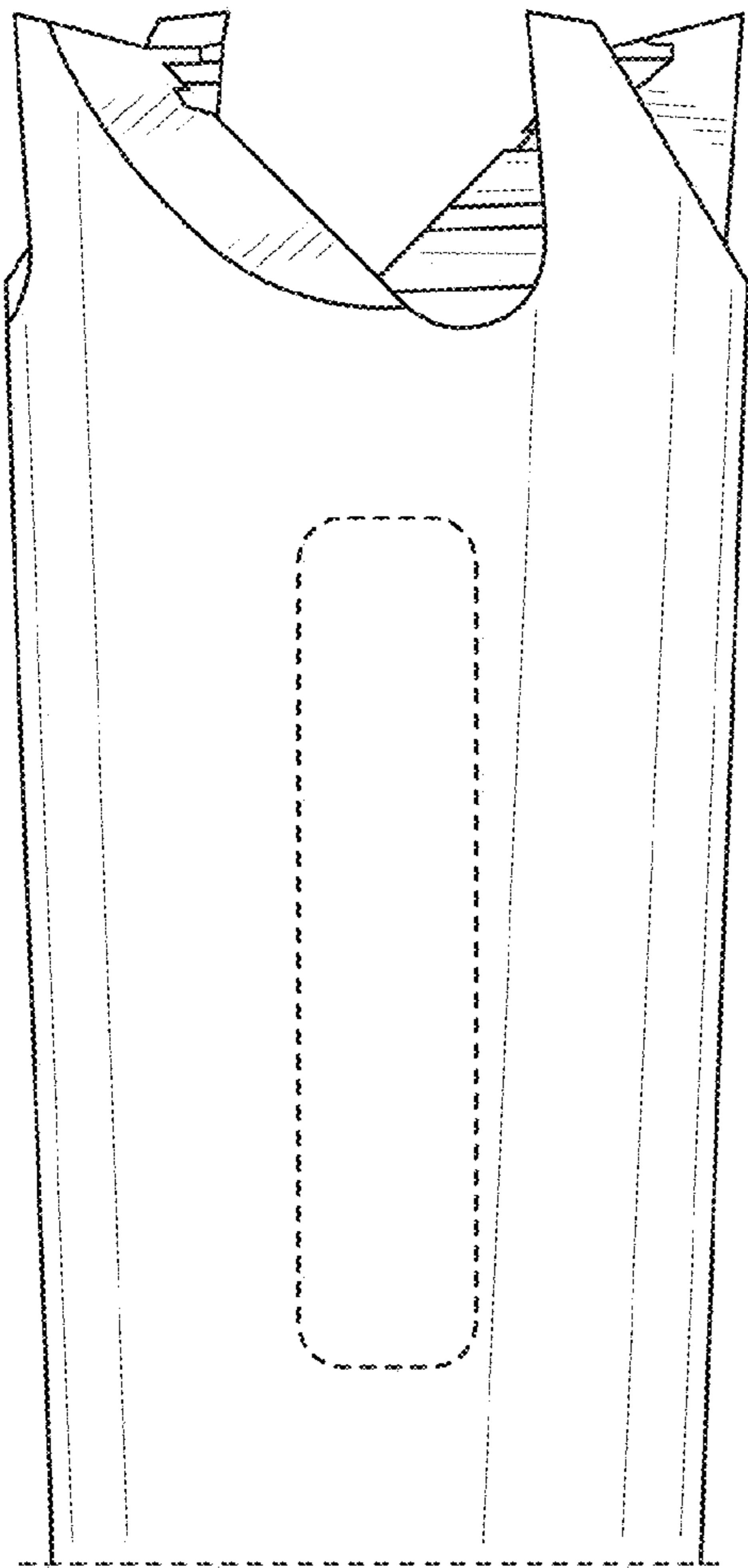


FIG. 4

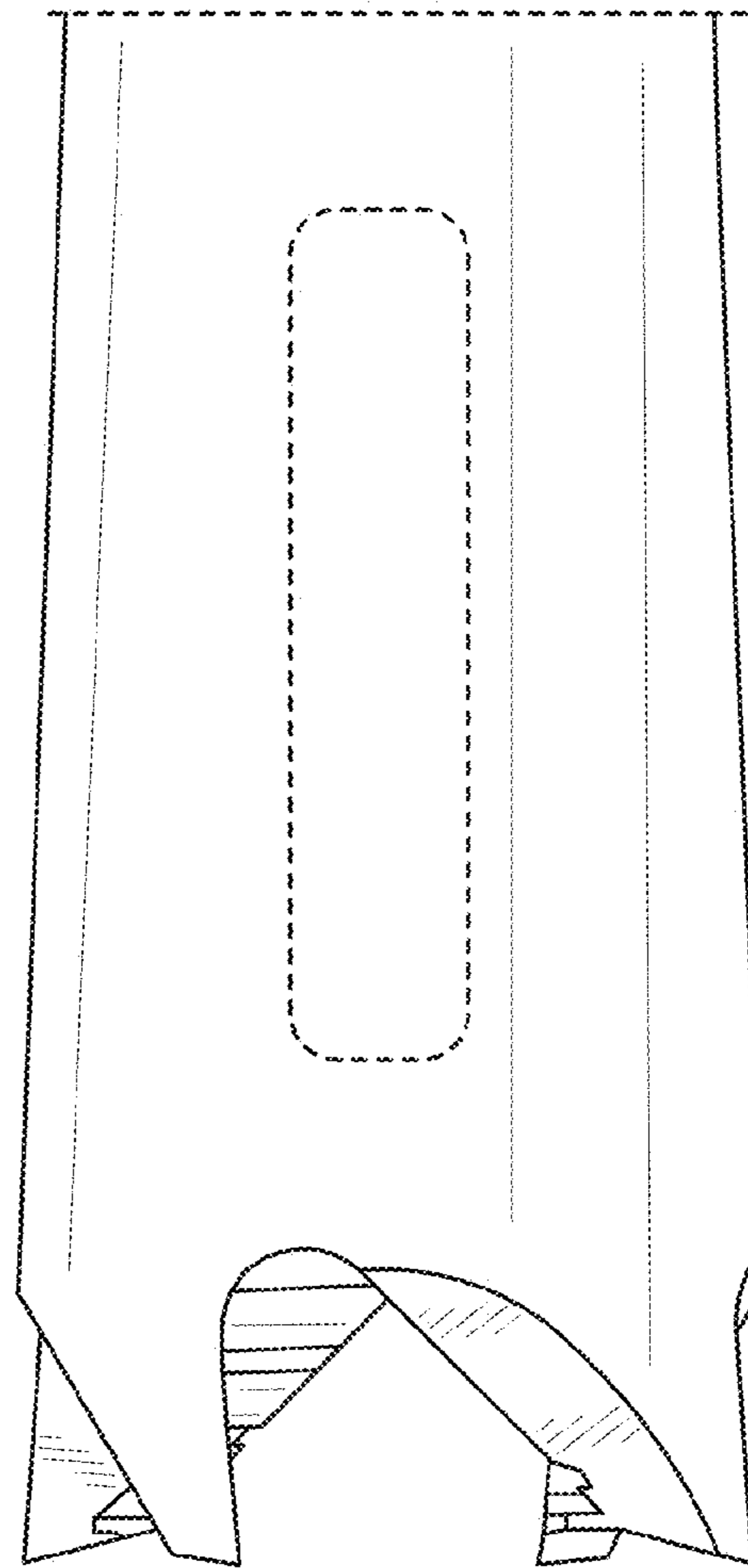


FIG. 5

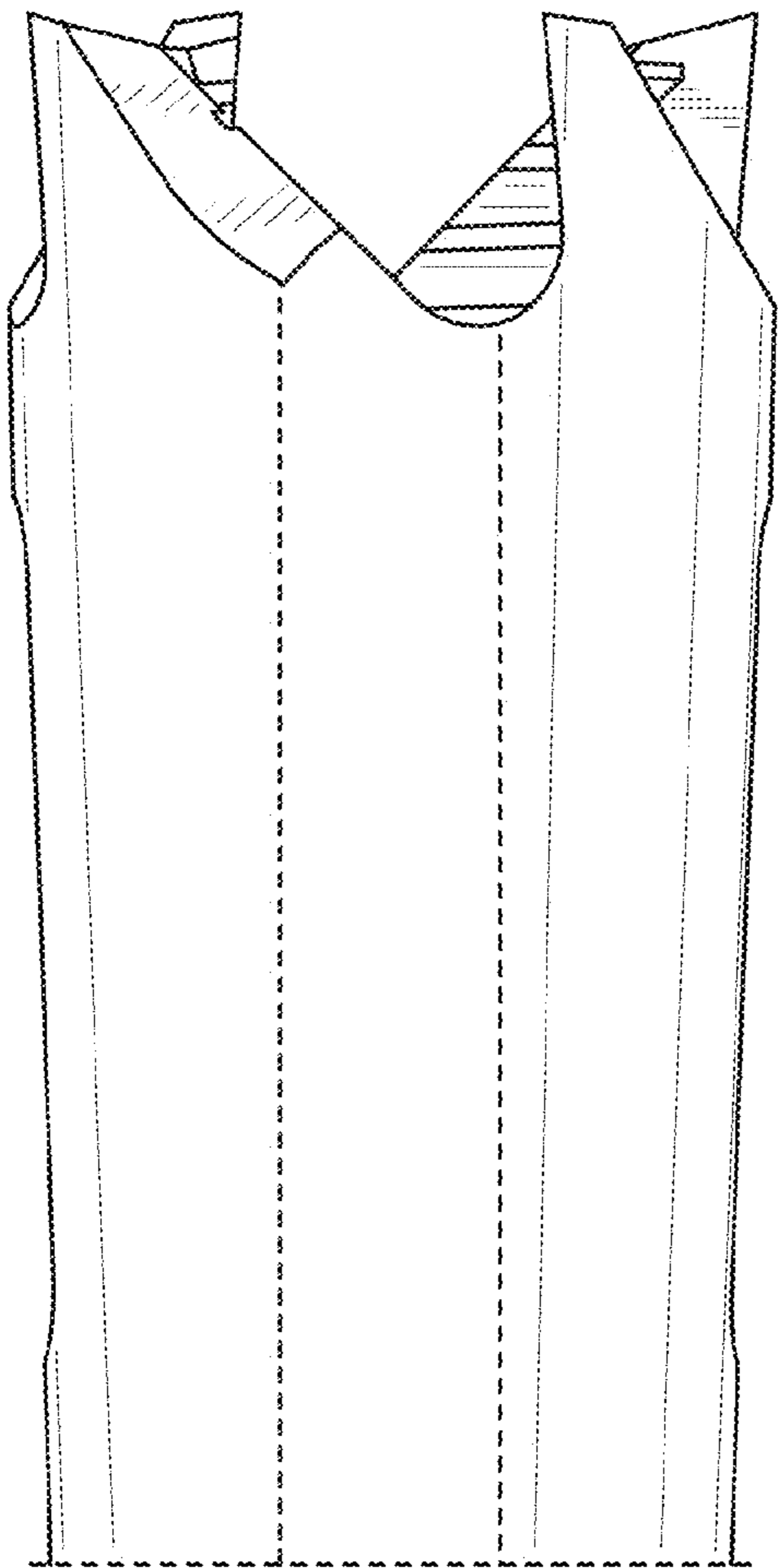


FIG. 6

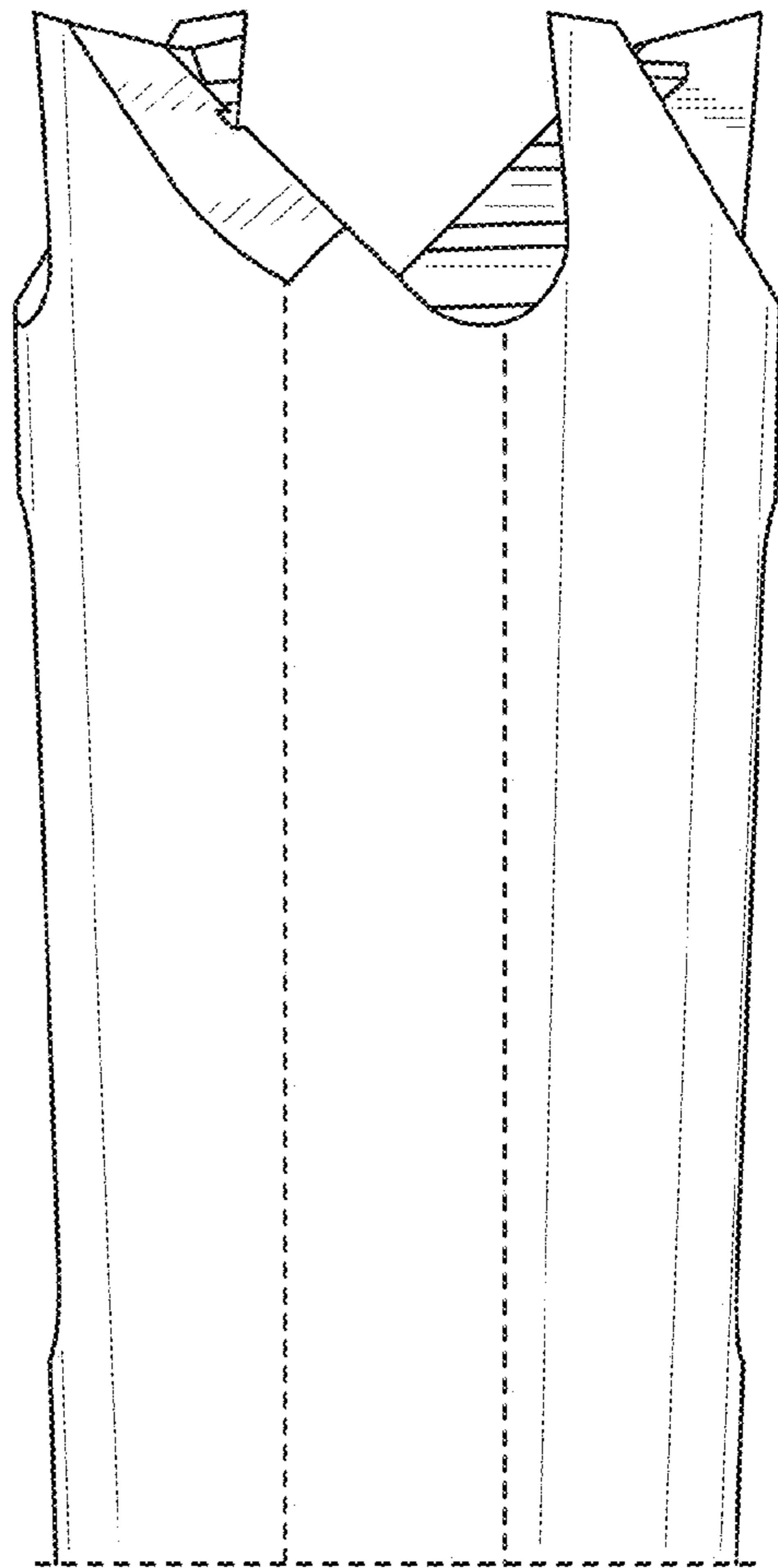


FIG. 7

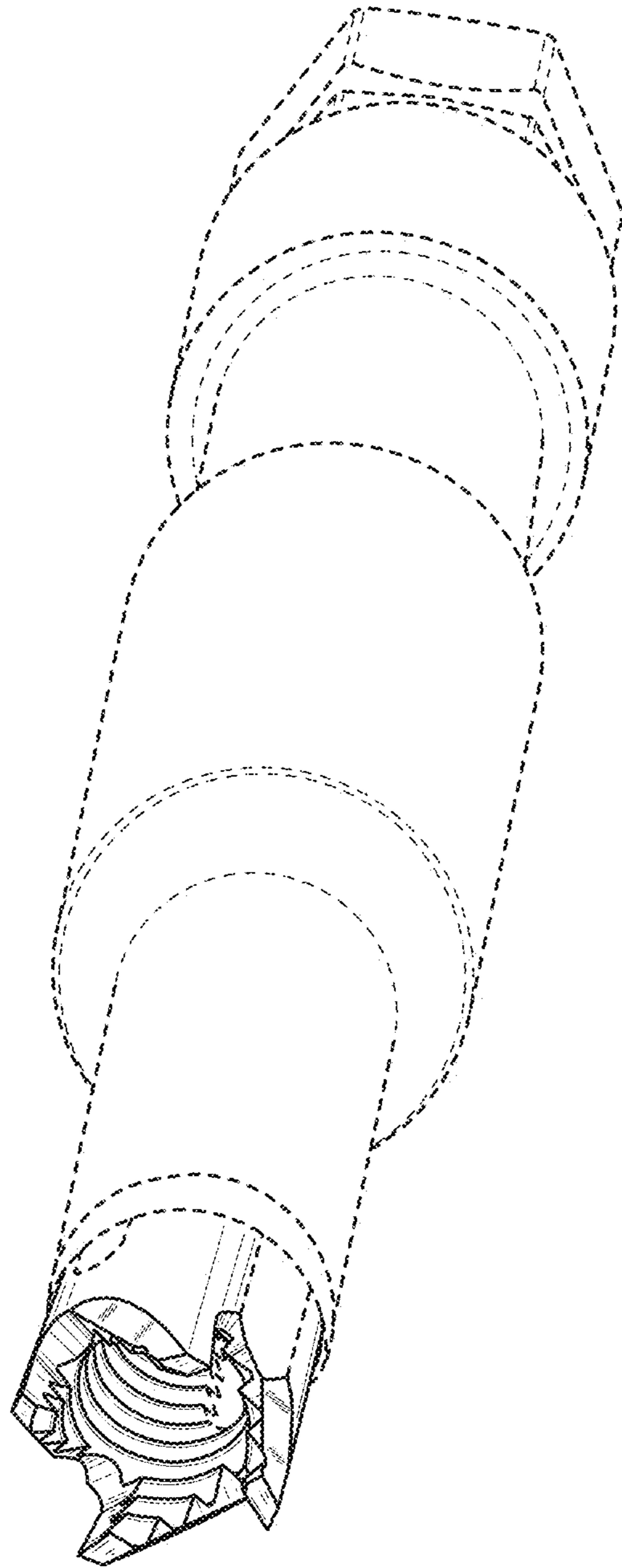


FIG. 8



FIG. 10



FIG. 9

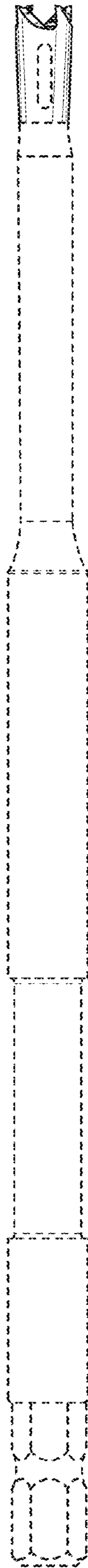


FIG. 11

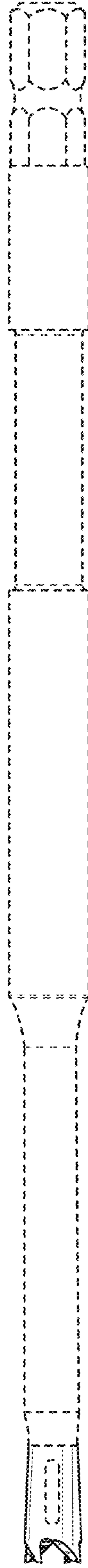


FIG. 12

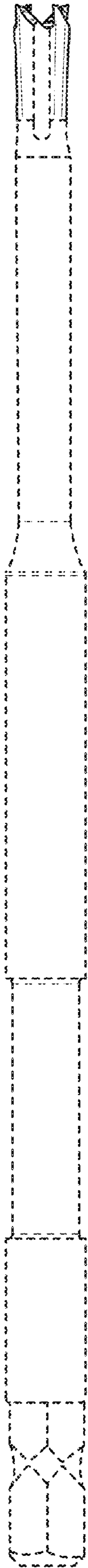


FIG. 13

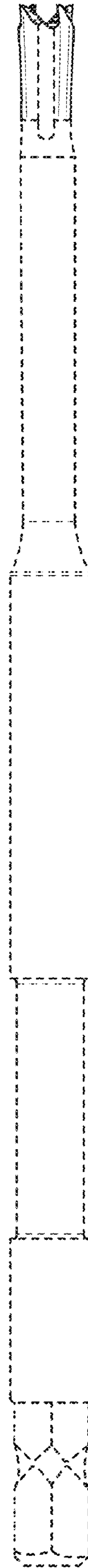


FIG. 14