



(12) **United States Design Patent**
Uridil et al.

(10) **Patent No.:** **US D939,696 S**
(45) **Date of Patent:** **** Dec. 28, 2021**

(54) **APPLICATOR**
(71) Applicant: **Medline Industries, LP**, Northfield, IL (US)
(72) Inventors: **Morgan Uridil**, Evanston, IL (US);
Amanda Roszkowiak, Schaumburg, IL (US)
(73) Assignee: **Medline Industries, LP**, Northfield, IL (US)
(**) Term: **15 Years**

2,690,181 A * 9/1954 Boyer A61M 3/0262
604/212
2,974,666 A * 3/1961 Coumbis A61F 5/0093
604/285
3,032,036 A * 5/1962 Rader A61M 31/00
604/11
3,086,527 A * 4/1963 Forrest A61F 13/38
604/15
3,459,175 A * 8/1969 Miller A61M 31/00
600/431
3,625,793 A * 12/1971 Sheridan B29C 57/00
156/229
3,866,601 A * 2/1975 Russell A61B 1/00142
600/114

(Continued)

(21) Appl. No.: **29/691,096**
(22) Filed: **May 14, 2019**
(51) **LOC (13) Cl.** **24-02**
(52) **U.S. Cl.**
USPC **D24/130; D24/119**
(58) **Field of Classification Search**
USPC D24/112, 127, 130, 114, 186, 119, 133,
D24/137, 138
CPC C12N 2310/321; C12N 2310/3525; C12N
2310/341; C12N 2310/11; A61F 5/451;
A61F 5/4404; A61F 2/0009
See application file for complete search history.

FOREIGN PATENT DOCUMENTS

JP 2001000536 1/2001
WO 2008048856 4/2008

Primary Examiner — T Chase Nelson
Assistant Examiner — Kelly L Gross
(74) *Attorney, Agent, or Firm* — Fitch, Even, Tabin &
Flannery LLP

(57) **CLAIM**

The ornamental design for an applicator, as shown and described.

(56) **References Cited**

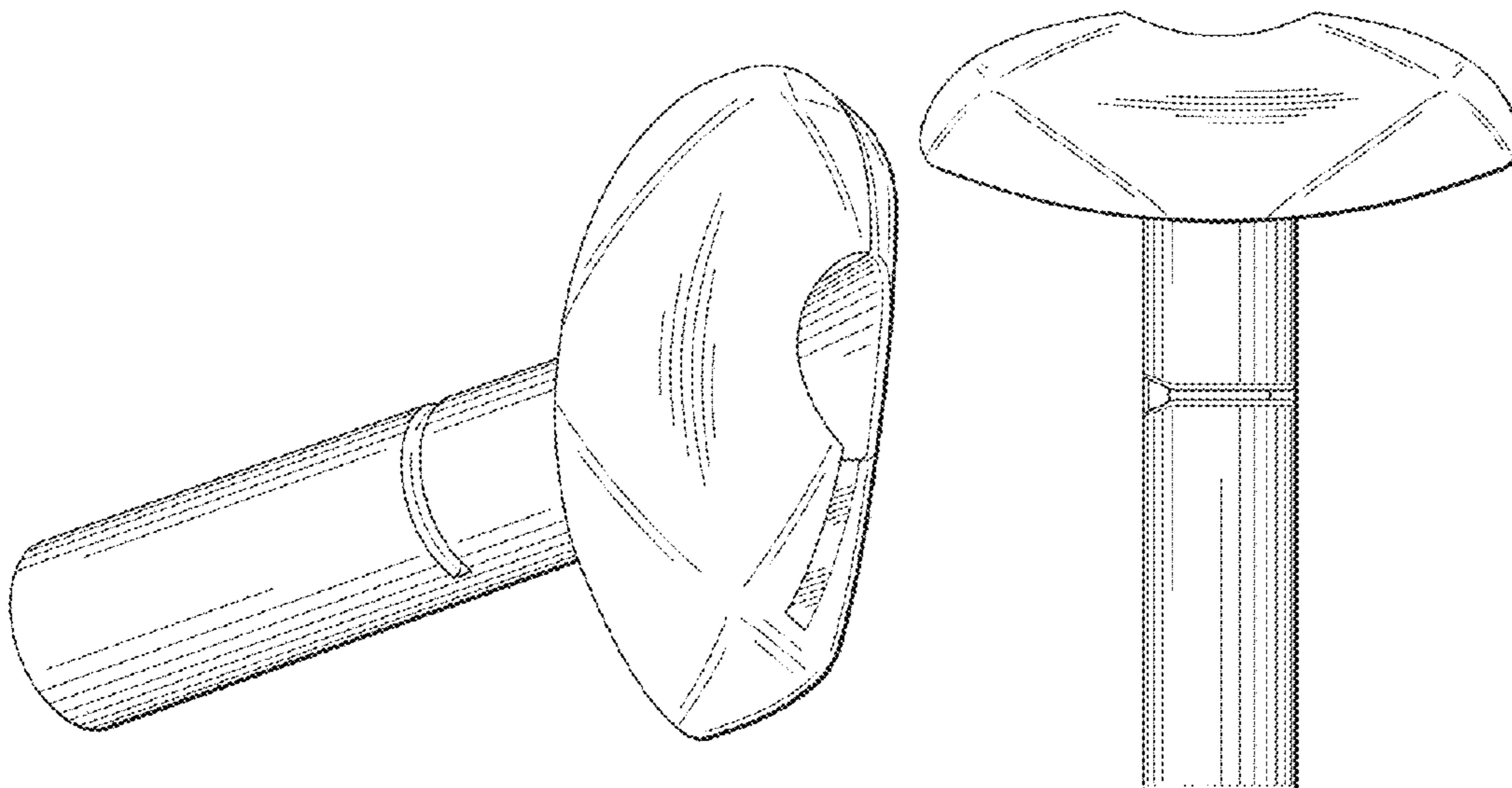
U.S. PATENT DOCUMENTS

1,965,653 A * 7/1934 Kennedy A61M 29/02
606/192
RE20,061 E * 8/1936 Kirk A61M 31/00
604/212
2,122,234 A * 6/1938 McAuliffe B05B 11/062
604/217
2,333,342 A * 11/1943 Slocumb A61J 3/08
604/287
2,631,586 A * 3/1953 Reilly A61M 29/00
604/104
2,641,254 A * 6/1953 Brown A61M 15/00
128/203.23

DESCRIPTION

FIG. 1 is a top perspective view in accordance with an embodiment of our new design;
FIG. 2 is a bottom perspective view thereof;
FIG. 3 is a front elevational view thereof;
FIG. 4 is a rear elevational view thereof;
FIG. 5 is a top plan view thereof;
FIG. 6 is a bottom plan view thereof;
FIG. 7 is a right side elevational view thereof; and,
FIG. 8 is a left side elevational view thereof.

1 Claim, 4 Drawing Sheets



(56)

References Cited

U.S. PATENT DOCUMENTS

3,896,816	A *	7/1975	Mattler	A61M 25/00 604/103.03	D641,469	S *	7/2011	Ruiz, Sr.	D24/133
4,030,500	A	6/1977	Ronnquist			D650,089	S *	12/2011	Kleyman	D24/224
4,182,332	A	1/1980	Delaney			D651,339	S *	12/2011	Kirk, III	D28/7
RE30,365	E *	8/1980	Mattler	A61M 25/007 604/215	D656,233	S *	3/2012	Fischvogt	D24/146
4,333,460	A *	6/1982	Miller	A61M 3/0279 604/217	D658,076	S *	4/2012	McCoy	D9/723
4,445,898	A	5/1984	Jensen			D659,846	S *	5/2012	Pearson	D24/211
4,471,782	A	9/1984	Shuffield			D665,127	S *	8/2012	Limongi	D28/7
4,496,356	A	1/1985	Lognion			D667,166	S *	9/2012	Strube	D28/7
D294,063	S *	2/1988	Smith	B05B 11/062 D24/114	D667,954	S *	9/2012	Mastri	D24/146
4,752,288	A *	6/1988	Hussey	A61M 3/0279 128/DIG. 18	D674,487	S *	1/2013	Kile	D24/152
4,772,260	A	9/1988	Heyden			D678,522	S *	3/2013	Gustavsson	A61M 25/0111 D24/130
4,784,656	A	11/1988	Christian			D678,783	S *	3/2013	Wilcox	D9/729
D299,271	S *	1/1989	Christensen	D24/112	D687,143	S *	7/2013	Ogura	D24/119
D320,275	S *	9/1991	Wada	D24/119	D691,262	S *	10/2013	Shalon	D24/141
D330,764	S *	11/1992	Lorentzon	D24/141	D695,403	S *	12/2013	Shalon	D24/141
D344,133	S *	2/1994	Stamler	D24/130	D709,188	S *	7/2014	Guala	D24/130
D345,016	S *	3/1994	Stamler	D24/130	D713,538	S *	9/2014	Van Valen	D24/209
5,312,384	A *	5/1994	Temple	A61F 5/44 604/355	8,840,594	B2	9/2014	Sharma		
D366,113	S *	1/1996	Morgan	D11/222	D715,495	S *	10/2014	Yiu	D28/62
5,509,893	A	4/1996	Pracas			D720,452	S *	12/2014	Jordan	D24/130
5,520,669	A	5/1996	Mulholland			D724,731	S *	3/2015	Shalon	D24/141
D377,216	S *	1/1997	Mark	D24/152	D726,956	S *	4/2015	Ettlin	D28/7
D377,716	S *	2/1997	Karon	D4/102	D726,957	S *	4/2015	Ettlin	D28/7
5,741,239	A	4/1998	Mulholland			D727,614	S *	4/2015	Griffith	D3/10
D402,199	S *	12/1998	Saunders	D9/724	D729,446	S *	5/2015	Babel	D28/7
D428,142	S *	7/2000	Stromblad	D24/119	D734,456	S *	7/2015	Cromett	D24/129
6,110,150	A *	8/2000	Singo	A61M 31/00 604/117	D734,540	S *	7/2015	Ettlin	D28/7
D430,703	S *	9/2000	Leslie	D28/10	D738,265	S *	9/2015	McNeeley	D12/118
D431,093	S *	9/2000	Leslie	D28/7	D738,495	S *	9/2015	Strong	D24/127
D432,714	S *	10/2000	Leslie	D28/7	D744,098	S *	11/2015	Suval	D24/133
D434,525	S *	11/2000	Angeletta	D28/7	D750,228	S *	2/2016	Strong	D24/127
D441,073	S *	4/2001	Mark	D24/119	D752,287	S *	3/2016	Bansal	D28/7
D450,153	S *	11/2001	Knieriemmen	D28/7	D753,825	S *	4/2016	Shalon	D24/141
D450,836	S *	11/2001	Mark	D24/119	D754,343	S *	4/2016	Shalon	D24/141
D457,627	S *	5/2002	Lamb	D24/119	D757,937	S *	5/2016	Tsai	D24/135
D462,257	S *	9/2002	Alexander	D8/391	D767,132	S *	9/2016	Shalon	D24/141
D474,271	S *	5/2003	Iori	D24/119	9,452,080	B2	9/2016	Holzbauer		
D474,689	S *	5/2003	Dinsky	D9/434	9,463,110	B2	10/2016	Nishtala		
6,695,763	B2 *	2/2004	Zunker	A61F 2/0022 600/29	D772,400	S *	11/2016	Sawicki	D24/119
D497,669	S *	10/2004	Blanco	D24/146	D772,407	S *	11/2016	Zhang	D24/133
6,802,808	B2 *	10/2004	Brady	A61B 5/053 600/29	D775,416	S *	12/2016	Celia, Jr.	D28/7
D518,177	S *	3/2006	Blanco	D24/146	9,526,878	B2 *	12/2016	Kucklick	A61B 17/3423
D519,635	S *	4/2006	Hudak	D24/152	D776,805	S *	1/2017	Homsy	D24/112
D529,603	S *	10/2006	Knickerbocker	D24/110	D778,410	S *	2/2017	Smith	D23/259
D532,109	S *	11/2006	Carroll	D24/152	D781,477	S *	3/2017	Mehta	D26/51
D540,469	S *	4/2007	Grabinsky	D24/112	D796,034	S *	8/2017	Gilbert	D24/129
D542,916	S *	5/2007	Squires	D24/119	D808,010	S *	1/2018	Denzer	D24/113
D565,732	S *	4/2008	Pech	D24/130	D815,737	S *	4/2018	Bergstrom	D24/130
D566,270	S *	4/2008	Strom	D24/137	D816,898	S *	5/2018	Shavit	D28/7
D570,478	S *	6/2008	Sudo	D24/130	9,956,119	B2 *	5/2018	Ingalls	A61F 11/08
D582,449	S *	12/2008	Yamaguchi	D15/144	D821,580	S *	6/2018	Elam	D24/152
D589,612	S *	3/2009	Sudo	D24/130	9,999,757	B2 *	6/2018	Chiang	A61M 35/006
D598,093	S *	8/2009	Kawamura	D24/130	D831,207	S *	10/2018	Shalon	D24/141
D613,452	S *	4/2010	Angeletta	D28/7	D835,784	S *	12/2018	Orr	D24/141
D615,651	S *	5/2010	Hoffmann	D24/150	10,179,050	B2 *	1/2019	Scrantz	A61F 2/2875
D619,715	S *	7/2010	Kim	D24/147	D842,991	S *	3/2019	Cable, Jr.	D24/135
D621,039	S *	8/2010	Maxa	D24/130	D848,000	S *	5/2019	Stuppy	D24/176
D621,930	S *	8/2010	Maxa	D24/130	D851,245	S *	6/2019	Baxter	D24/130
D627,459	S *	11/2010	Uchida	D24/130	D854,241	S *	7/2019	Star	D28/7
D638,986	S *	5/2011	Limongi	D28/7	10,441,396	B2 *	10/2019	Kunz	A61F 2/0009
D638,988	S *	5/2011	Limongi	D28/7	10,485,644	B2 *	11/2019	Orr	A61F 13/84
D638,989	S *	5/2011	Limongi	D28/7	10,518,022	B1 *	12/2019	Walker	A61M 3/0262
D638,990	S *	5/2011	Limongi	D28/7	D873,997	S *	1/2020	Ljunglof	D24/130
D638,991	S *	5/2011	Limongi	D28/7	D881,392	S *	4/2020	Pujara	D24/130
D640,001	S *	6/2011	Limongi	D28/7	D882,081	S *	4/2020	Sun	D24/137
						D889,754	S *	7/2020	Coffin	A61F 11/08 D29/112
						D889,961	S *	7/2020	Swart	D9/447
						D890,925	S *	7/2020	Doubet	D24/129
						D891,249	S *	7/2020	Lee	D9/447
						D892,321	S *	8/2020	Newton	D24/130
						D892,400	S *	8/2020	Nelson	D28/7
						D899,591	S *	10/2020	Bergstrom	D24/130
						D899,680	S *	10/2020	Jung	D28/7
						D899,681	S *	10/2020	Jung	D28/7
						D900,302	S *	10/2020	Ancerewicz	D24/108
						D900,997	S *	11/2020	Ancerewicz	D24/108
						10,898,701	B2 *	1/2021	Boone	A61M 31/00

(56)

References Cited

U.S. PATENT DOCUMENTS

D915,591 S *	4/2021	Cao	D24/146	2012/0116336 A1	5/2012	Sharma	
D925,733 S *	7/2021	Doubet	A61M 5/3134	2013/0192594 A1 *	8/2013	Addington A61M 11/06
				D24/129				128/200.21
D925,737 S *	7/2021	Andersen	D24/141	2014/0018775 A1 *	1/2014	Swords A61M 31/00
D926,320 S *	7/2021	Sweeney	D24/146				604/514
11,103,377 B1 *	8/2021	Weston	A61F 5/451	2014/0121596 A1 *	5/2014	Bo A61M 25/0043
D930,184 S *	9/2021	Johnson	D24/224				604/96.01
11,109,952 B2 *	9/2021	Andersson	A61F 2/005	2014/0296832 A1 *	10/2014	Karmazyn A61F 2/0009
2003/0088217 A1 *	5/2003	Bergeron	A61M 31/00				604/514
				604/228	2015/0011955 A1	1/2015	Sharma	
2005/0137526 A1 *	6/2005	Machado	A61M 25/01	2015/0246212 A1 *	9/2015	Burstein A61M 35/003
				604/102.01				604/290
2006/0195006 A1 *	8/2006	Daurelle	A61F 2/0022	2016/0339166 A1 *	11/2016	Adam A61M 3/0295
				600/29	2018/0043086 A1 *	2/2018	Foley A61M 3/0212
2007/0282241 A1 *	12/2007	Squires	A61D 7/00	2018/0043087 A1 *	2/2018	Foley A61M 3/0295
				604/2	2019/0231969 A1 *	8/2019	Hougaard A61M 25/10181
2009/0171268 A1 *	7/2009	Williams, Jr.	A61M 13/003	2020/0078510 A1 *	3/2020	Henry A61M 3/0237
				604/26	2020/0215256 A1 *	7/2020	Henry A61M 3/0245
					2020/0360173 A1 *	11/2020	Uridil A61F 5/4404
					2021/0015505 A1 *	1/2021	Roszkowiak A61M 29/00
					2021/0283325 A1 *	9/2021	Henry A61M 3/0262

* cited by examiner

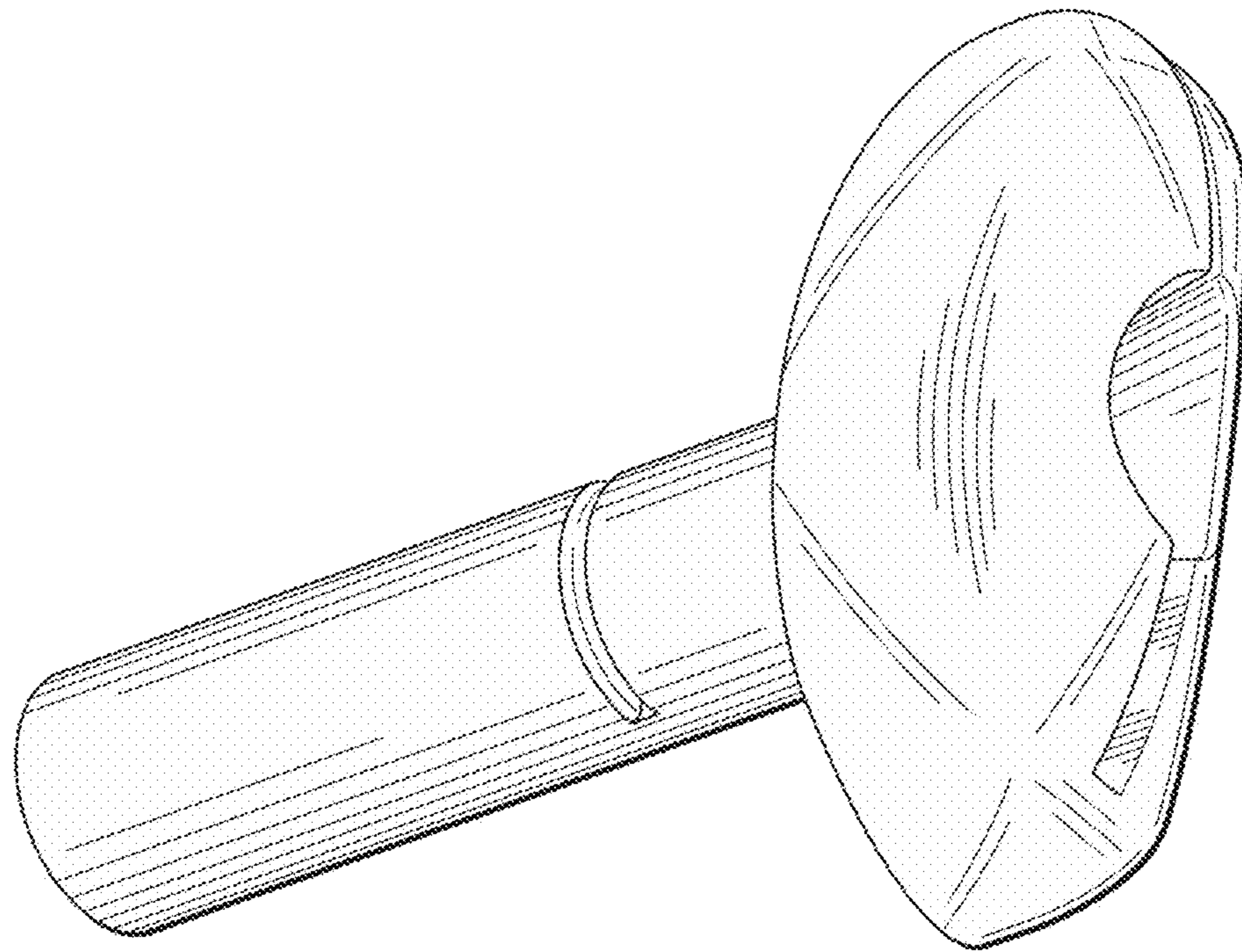


FIG. 1

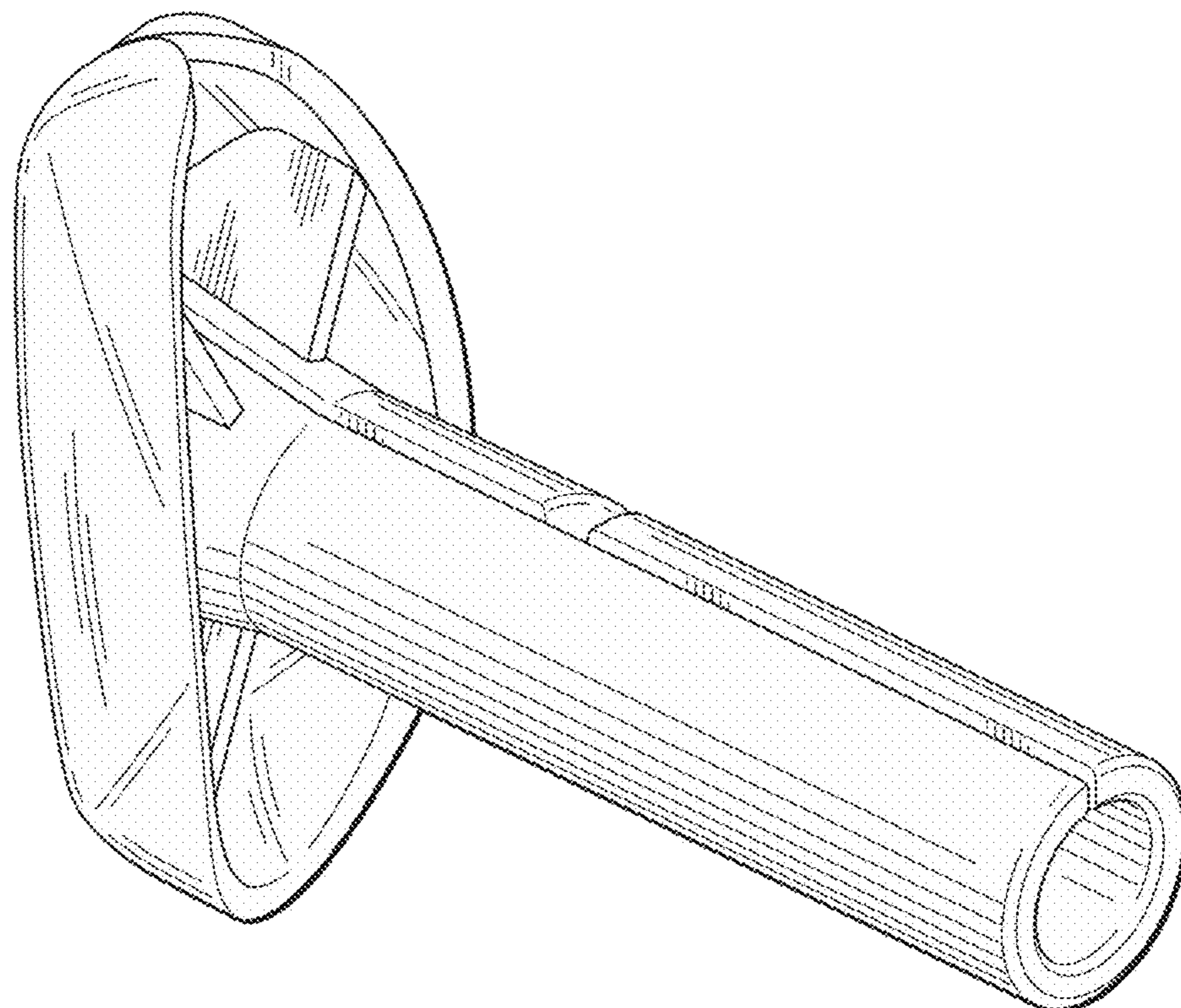


FIG. 2

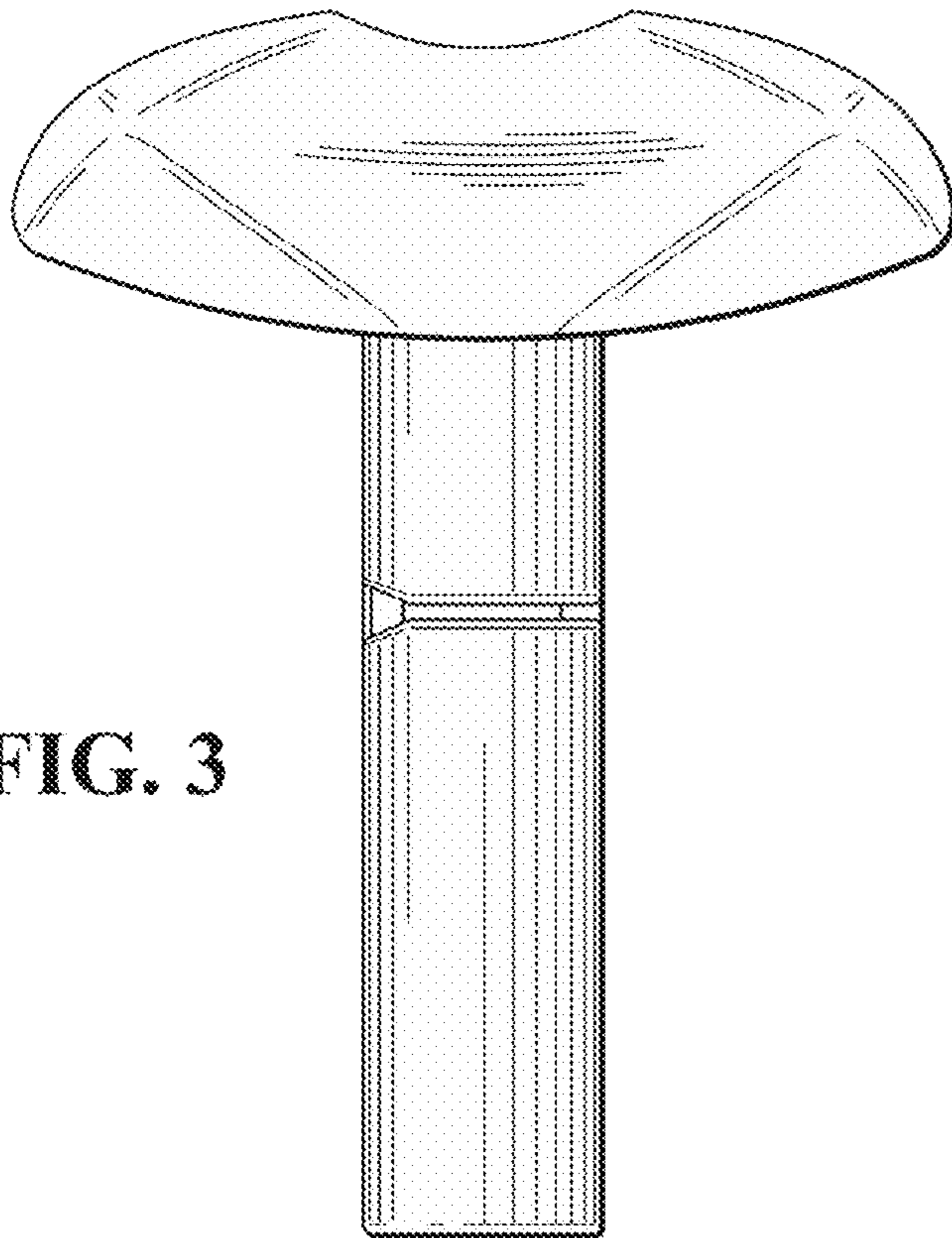


FIG. 3

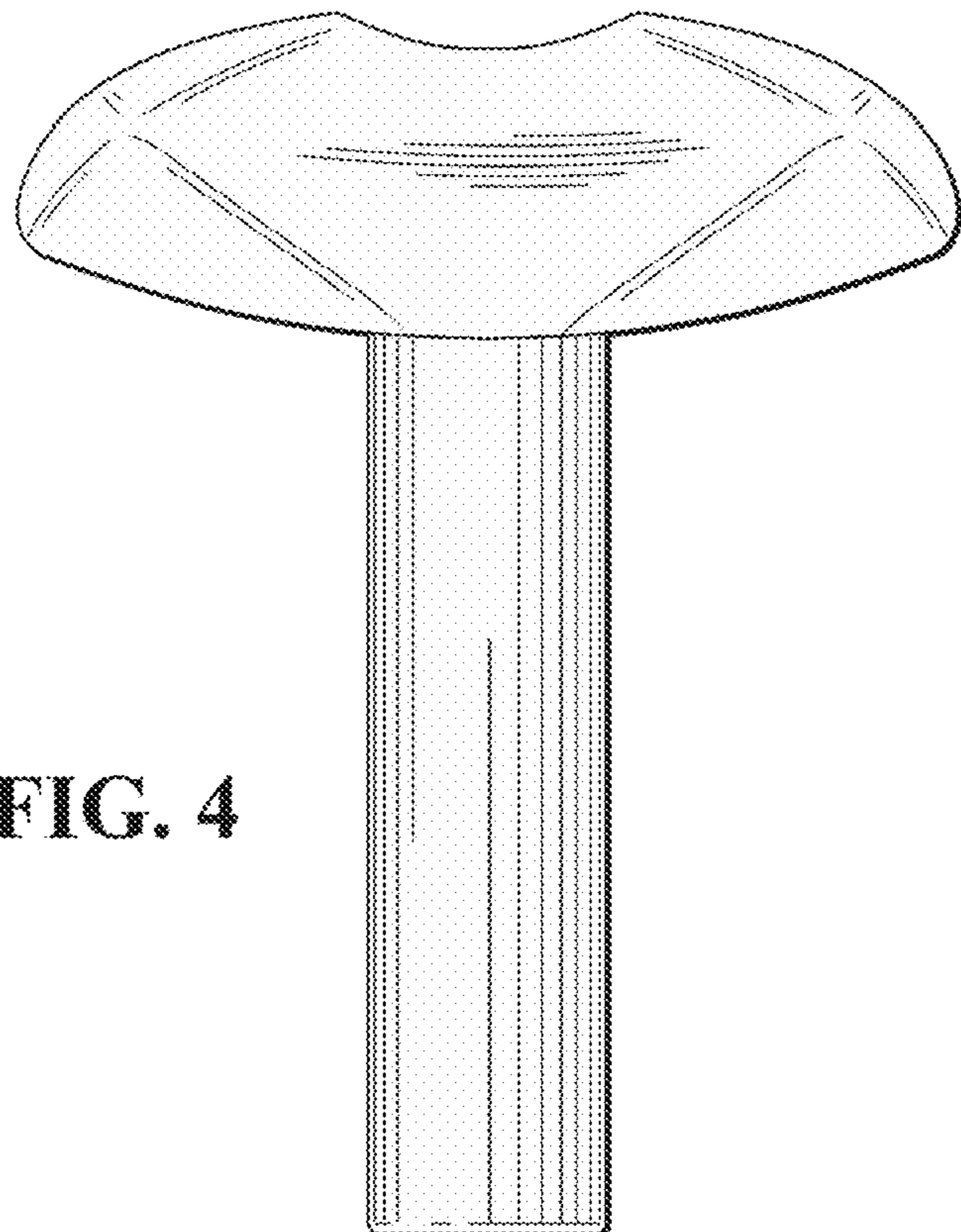


FIG. 4

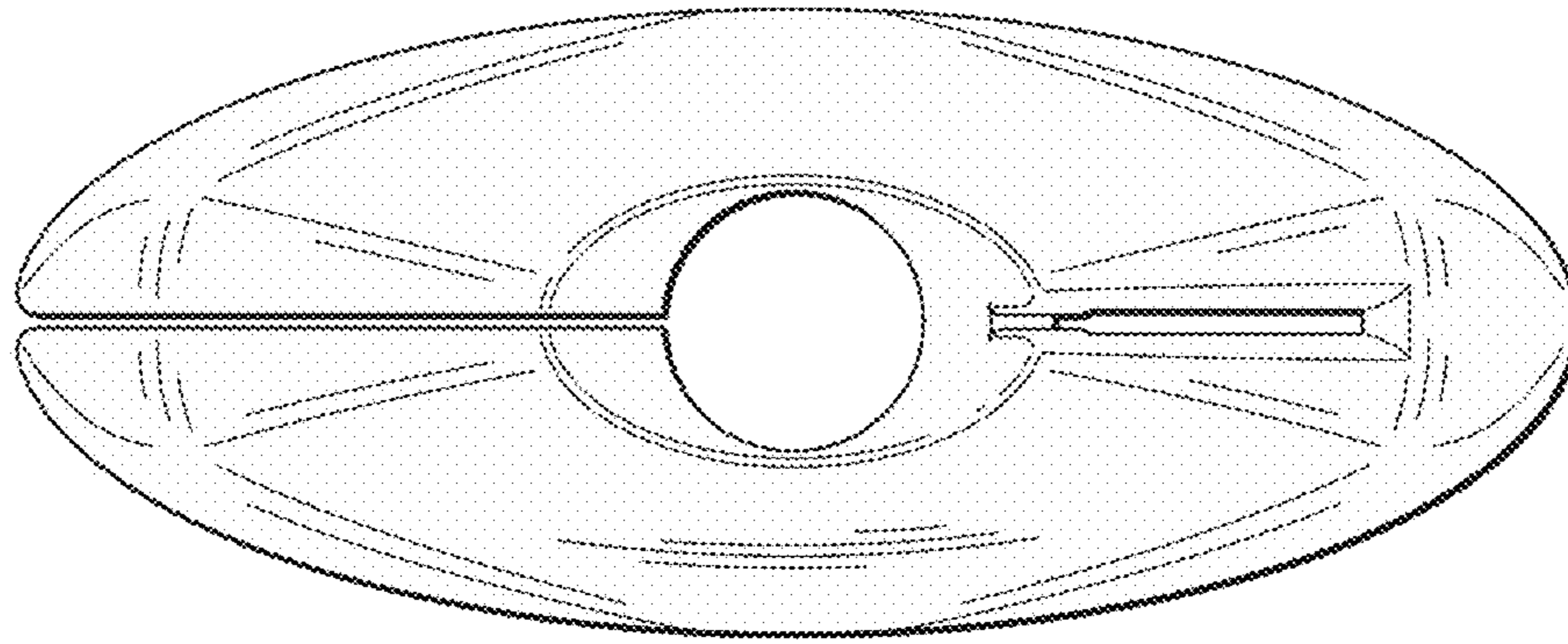


FIG. 5

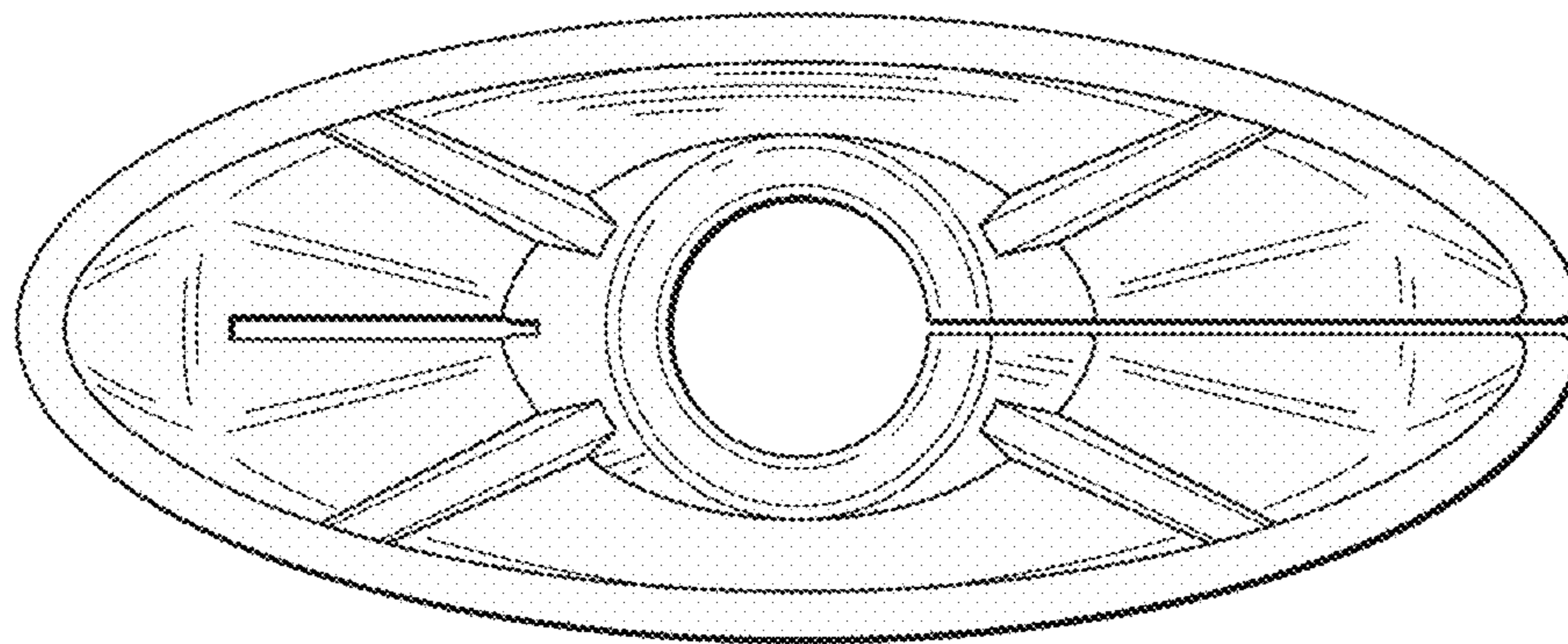


FIG. 6

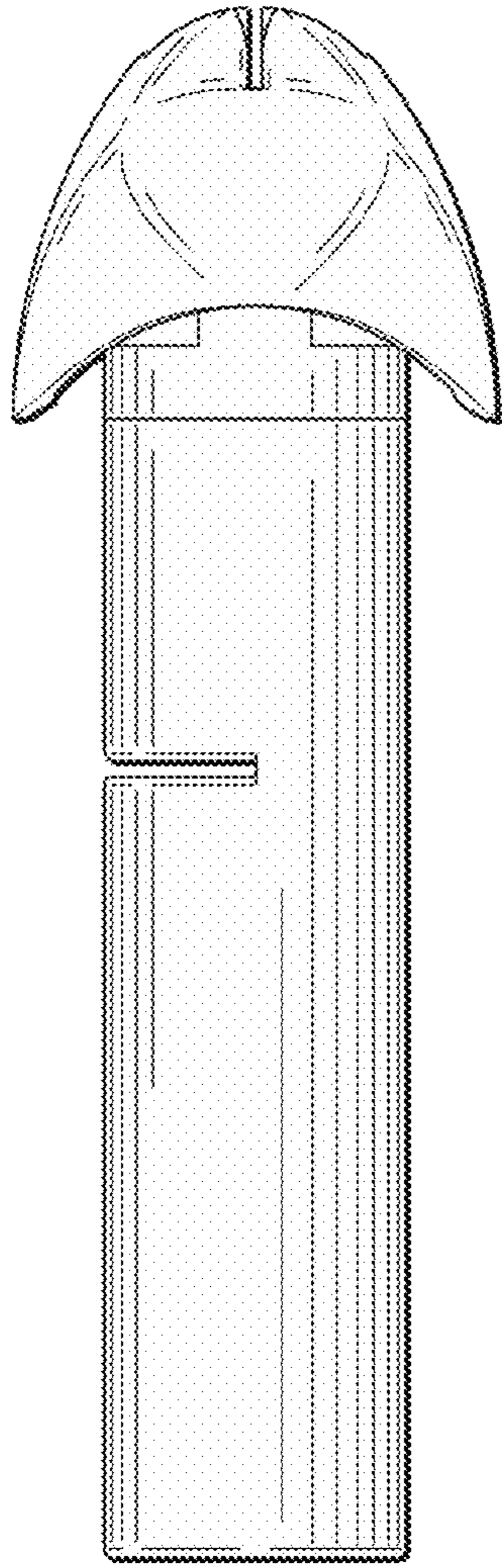


FIG. 7

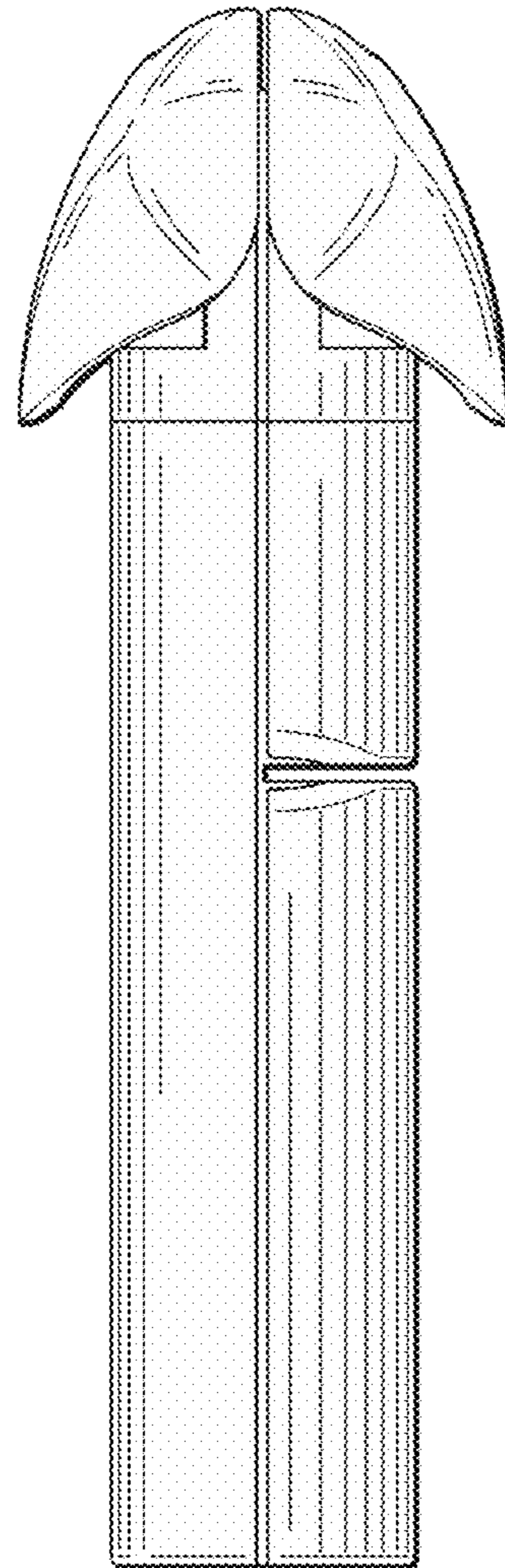


FIG. 8