



US00D939694S

(12) **United States Design Patent**  
**Hokans**

(10) **Patent No.:** **US D939,694 S**

(45) **Date of Patent:** **\*\* Dec. 28, 2021**

(54) **DISPOSABLE COMMODORE RECEPTACLE**

(71) Applicant: **North Shore Medical, LLC**, Knife River, MN (US)

(72) Inventor: **Mark Hokans**, Knife River, MN (US)

(73) Assignee: **North Shore Medical, LLC**, Knife River, MN (US)

(\*\*) Term: **15 Years**

(21) Appl. No.: **29/712,206**

(22) Filed: **Nov. 6, 2019**

(51) **LOC (13) Cl.** ..... **24-04**

(52) **U.S. Cl.**  
USPC ..... **D24/123; D23/269**

(58) **Field of Classification Search**  
USPC ..... D24/121–123, 108, 127, 128; D9/455;  
D23/295, 303, 309, 269, 299, 259–262,  
D23/209  
CPC ..... A61G 9/00; A61G 9/003; A61G 9/006;  
A47K 11/00; A47K 11/06  
See application file for complete search history.

(56) **References Cited**

**U.S. PATENT DOCUMENTS**

D631,948 S \* 2/2011 Yoshida ..... D23/269  
D638,522 S \* 5/2011 Yoshida ..... D23/269

D706,908 S \* 6/2014 Knapp ..... D23/269  
D837,950 S \* 1/2019 Santos ..... D23/261  
D846,095 S \* 4/2019 Copeland ..... D23/269  
D846,096 S \* 4/2019 Copeland ..... D23/269  
D852,336 S \* 6/2019 Copeland ..... D23/269  
D852,935 S \* 7/2019 Copeland ..... D23/269  
D888,903 S \* 6/2020 Gunther ..... D23/269  
D896,369 S \* 9/2020 Chase ..... D24/123  
D917,026 S \* 4/2021 Pacheco ..... D23/269

\* cited by examiner

*Primary Examiner* — Lilyana Bekic

*Assistant Examiner* — Lee D. Starr

(74) *Attorney, Agent, or Firm* — Campbell IP Law LLC

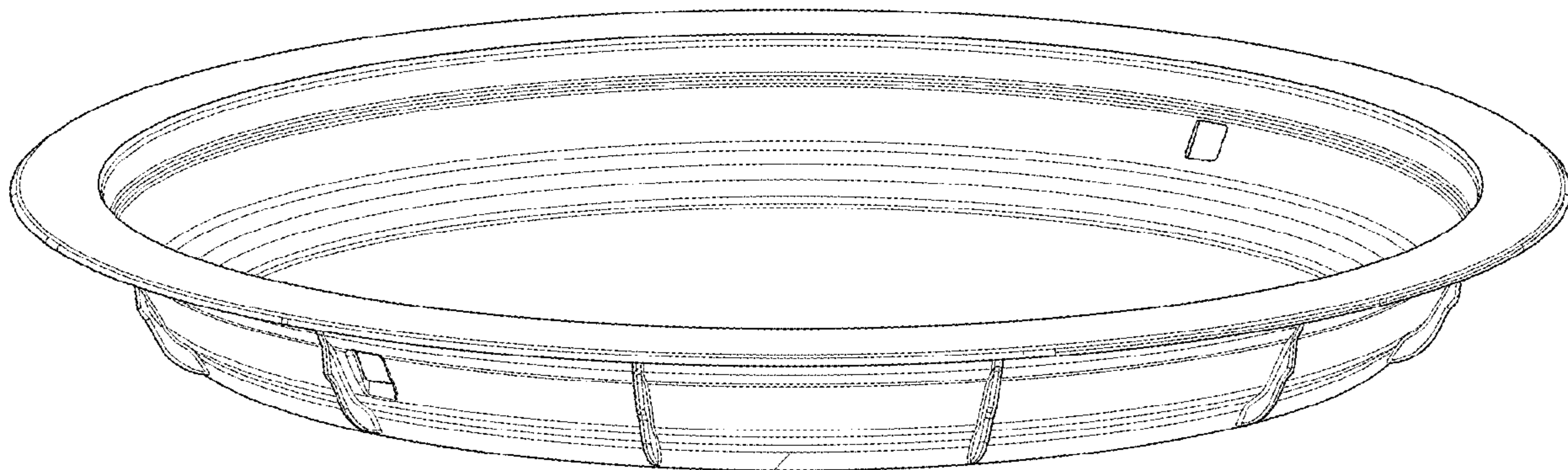
(57) **CLAIM**

The ornamental design for a disposable commode receptacle, as shown and described.

**DESCRIPTION**

FIG. 1 is a top perspective view of a disposable commode receptacle, showing my new design;  
FIG. 2 is a front elevational view thereof;  
FIG. 3 is a partial enlarged bottom perspective view thereof;  
FIG. 4 is a top plan view thereof; and,  
FIG. 5 is a bottom plan view thereof.  
The broken lines in FIG. 3 depict a boundary of the enlarged partial perspective view of the disposable commode receptacle and forms no part of the claimed design.

**1 Claim, 3 Drawing Sheets**



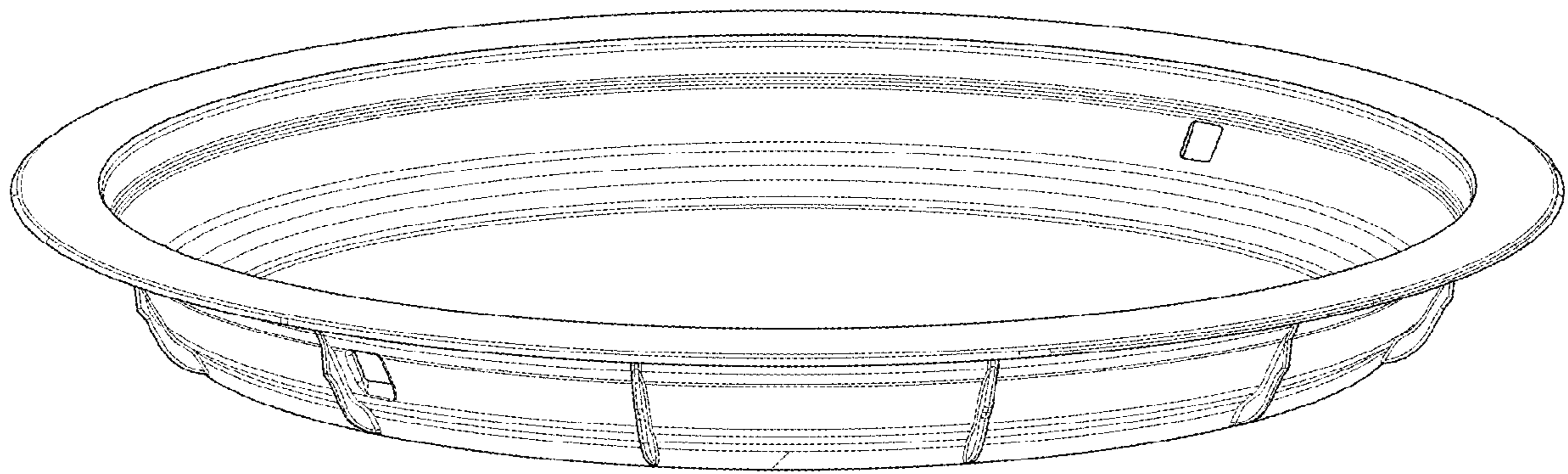


FIG. 1

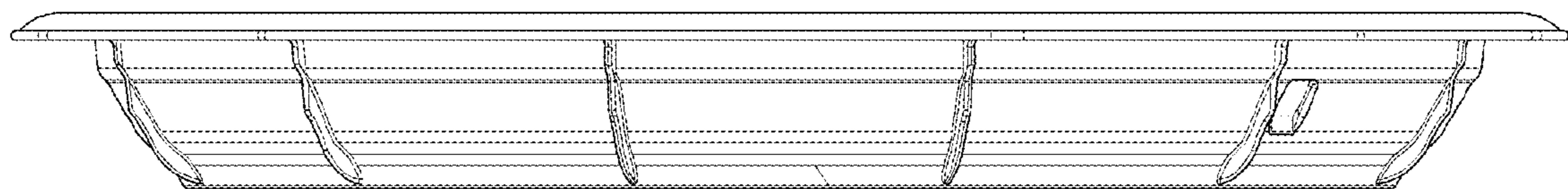


FIG. 2

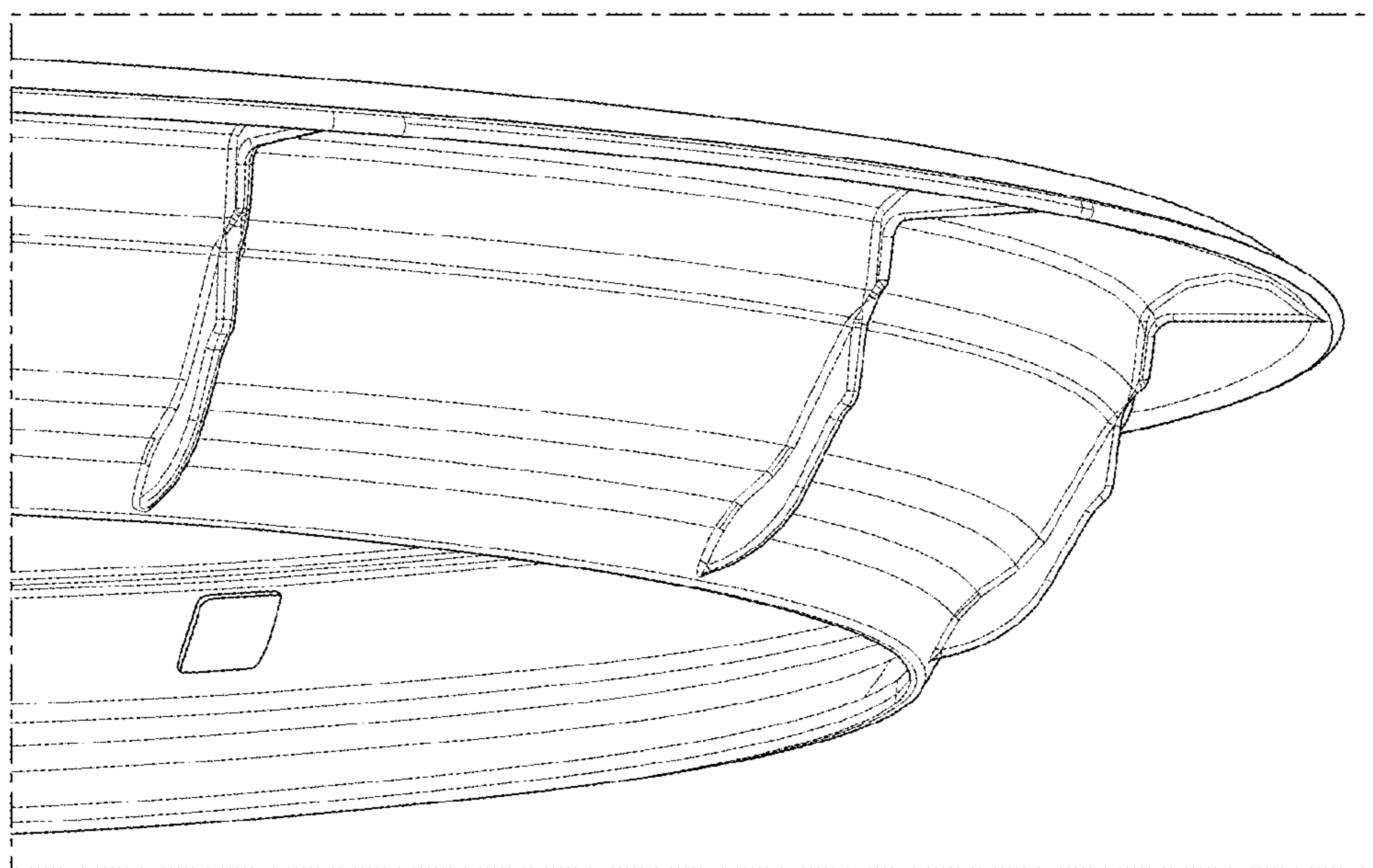


FIG. 3

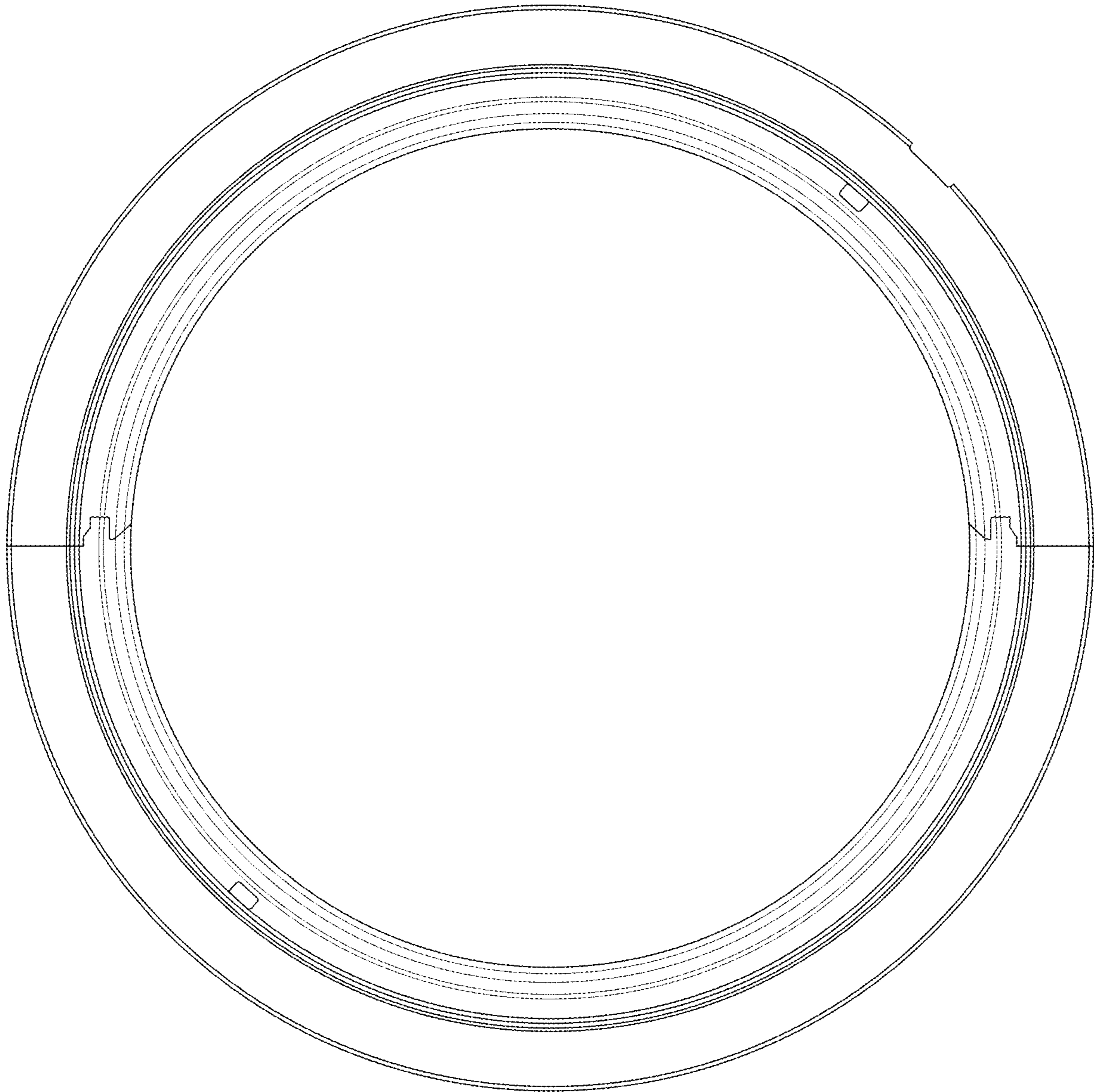


FIG. 4

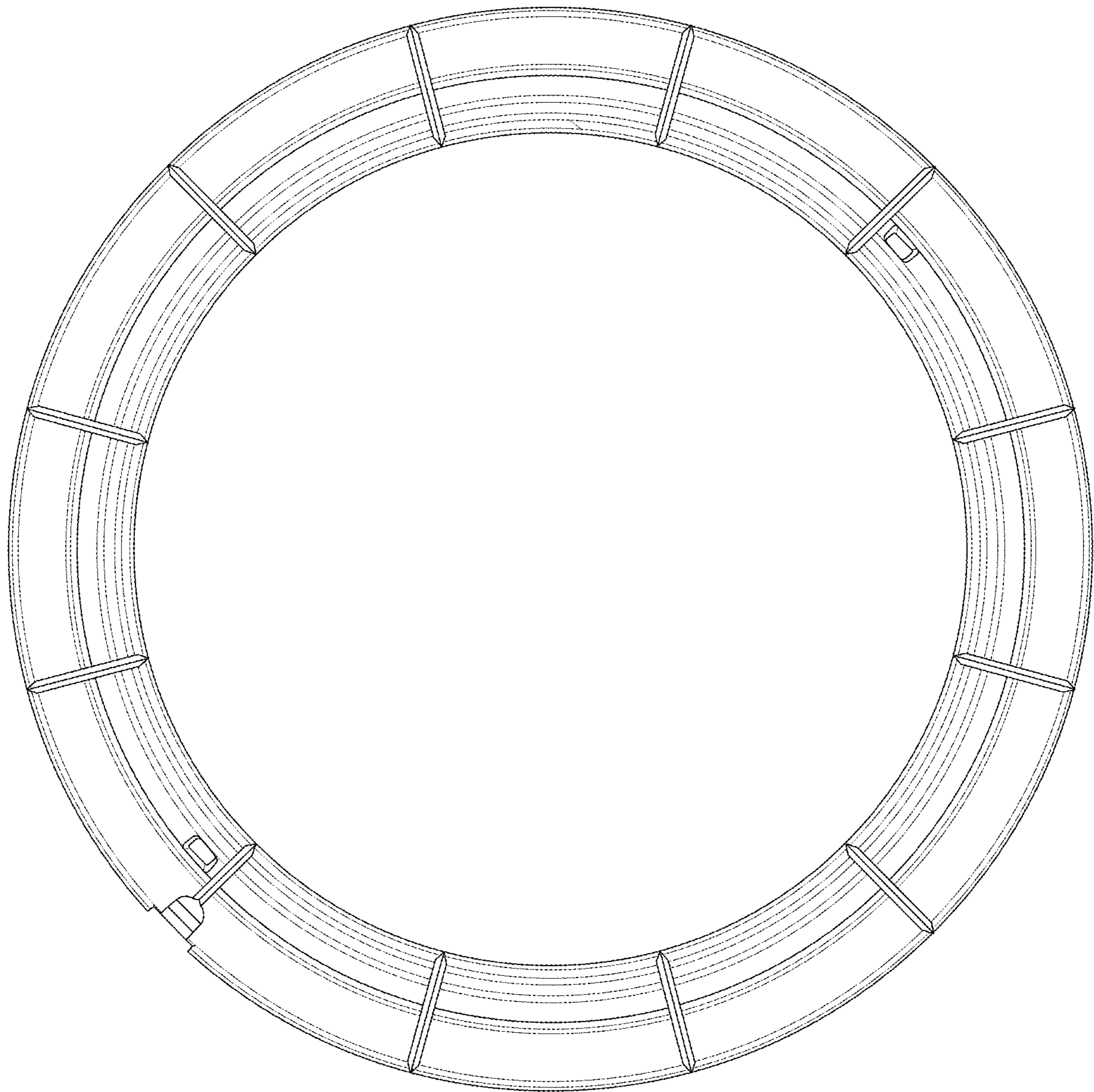


FIG. 5