



US00D939692S

(12) **United States Design Patent** (10) **Patent No.:** **US D939,692 S**
Sun et al. (45) **Date of Patent:** **** Dec. 28, 2021**

(54) **PERISTALTIC PUMP HEAD**
(71) Applicant: **BAODING SHENCHEN PRECISION PUMP CO., LTD.**, Baoding (CN)

D730,514 S * 5/2015 Boaz D24/111
D812,106 S * 3/2018 Minatodani D15/7
10,359,037 B2 * 7/2019 Yaeguchi F04B 45/08
D879,948 S * 3/2020 Bunoz D24/111

(Continued)

(72) Inventors: **Wei Sun**, Baoding (CN); **Xiaopeng Cao**, Baoding (CN)

(**) Term: **15 Years**

(21) Appl. No.: **29/737,843**

(22) Filed: **Jun. 12, 2020**

(30) **Foreign Application Priority Data**

Dec. 24, 2019 (CN) 201930723432.9

(51) **LOC (13) Cl.** **24-02**

(52) **U.S. Cl.**
USPC **D24/111; D15/7**

(58) **Field of Classification Search**
USPC D13/103, 107; D15/7-9; D23/210;
D24/108, 110, 111

CPC F04B 43/00; F04B 53/00; F04B 53/92;
F04B 1/005; F04B 25/00; F04B 35/00;
F04B 37/00; F04B 39/00; F04B 27/00;
F04B 43/1269; F04B 43/1276; F04B
43/08; F04B 45/08; F04B 17/03; F04B
35/04; E03B 5/00; B25B 21/02; B60S
5/04; B60S 5/046; B29C 73/00; F24F
13/222; F24F 2140/30; F04D 29/64

See application file for complete search history.

(56) **References Cited**

U.S. PATENT DOCUMENTS

D370,727 S * 6/1996 Atkinson D24/111
D498,765 S * 11/2004 Nakazato D10/81
D520,023 S * 5/2006 Goto D15/7
D534,548 S * 1/2007 Urano D15/7
D559,270 S * 1/2008 Hori D15/7
D585,986 S * 2/2009 Boaz D24/129
D668,675 S * 10/2012 Ramirez, Jr. D15/7

OTHER PUBLICATIONS

Brother Fluid Tech Co., Ltd., YZ1515X Flip-Top Peristaltic Pump Head Easy Install with Stepper Motor Nema 23/dc/ac Motor Medical Grade, (first available for sale Mar. 31, 2019), Amazon.com, URL:<https://www.amazon.com/dp/B07R7277TL/> (Year: 2019).*

(Continued)

Primary Examiner — Calvin E Vansant
Assistant Examiner — Mark T. Philipps

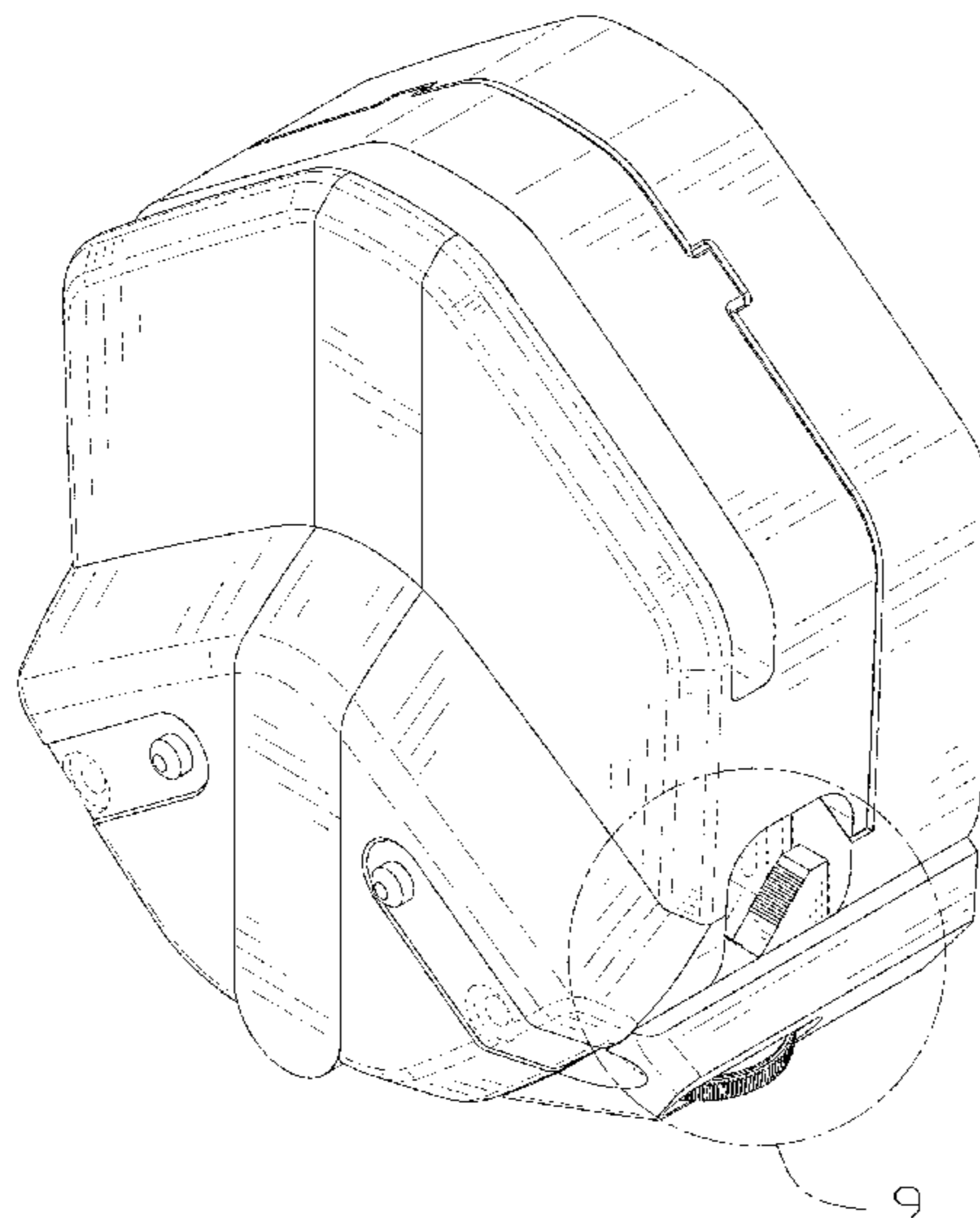
(57) **CLAIM**

The ornamental design for a peristaltic pump head, as shown and described.

DESCRIPTION

FIG. 1 is a first perspective view of a peristaltic pump head showing my new design;
FIG. 2 is a second perspective view thereof;
FIG. 3 is a front view thereof;
FIG. 4 is a back view thereof;
FIG. 5 is a left side view thereof;
FIG. 6 is a right side view thereof;
FIG. 7 is a top view thereof;
FIG. 8 is a bottom view thereof; and,
FIG. 9 is an enlarged view of the selected portion in FIG. 1. The broken lines shown in the drawings depict portions of the peristaltic pump head in which the design is embodied that form no part of the claimed design.
The short dash, long dash, short dash lines on FIG. 1 and FIG. 9 depict the bounds of the region taken from FIG. 1 to be enlarged on FIG. 9 and form no part of the claimed design.

1 Claim, 9 Drawing Sheets



(56)

References Cited

U.S. PATENT DOCUMENTS

2014/0081202 A1* 3/2014 Tsoukalis A61M 5/36
604/67
2017/0350389 A1* 12/2017 Quintarelli F04B 49/20
2019/0186484 A1* 6/2019 Miller F04B 43/082
2019/0376505 A1* 12/2019 Raupach F04B 43/1253

OTHER PUBLICATIONS

Lead Fluid, KD15 Peristaltic Pump, (site visited Aug. 6, 2021),
leadfluid.com, URL:<<https://leadfluid.com/product/kd15-peristaltic-pump/>> (Year: 2021).*

Antylia Scientific Blog Team, “Masterflex Peristaltic Pumps Ensure
Precise, Repeatable, and Flexible Pharmaceutical Production”, (posted
Jul. 6, 2017), colepalmer.com, URL:<<https://www.coleparmer.com/blog/2017/07/06/masterflex-pumps/>> (Year: 2017).*

* cited by examiner

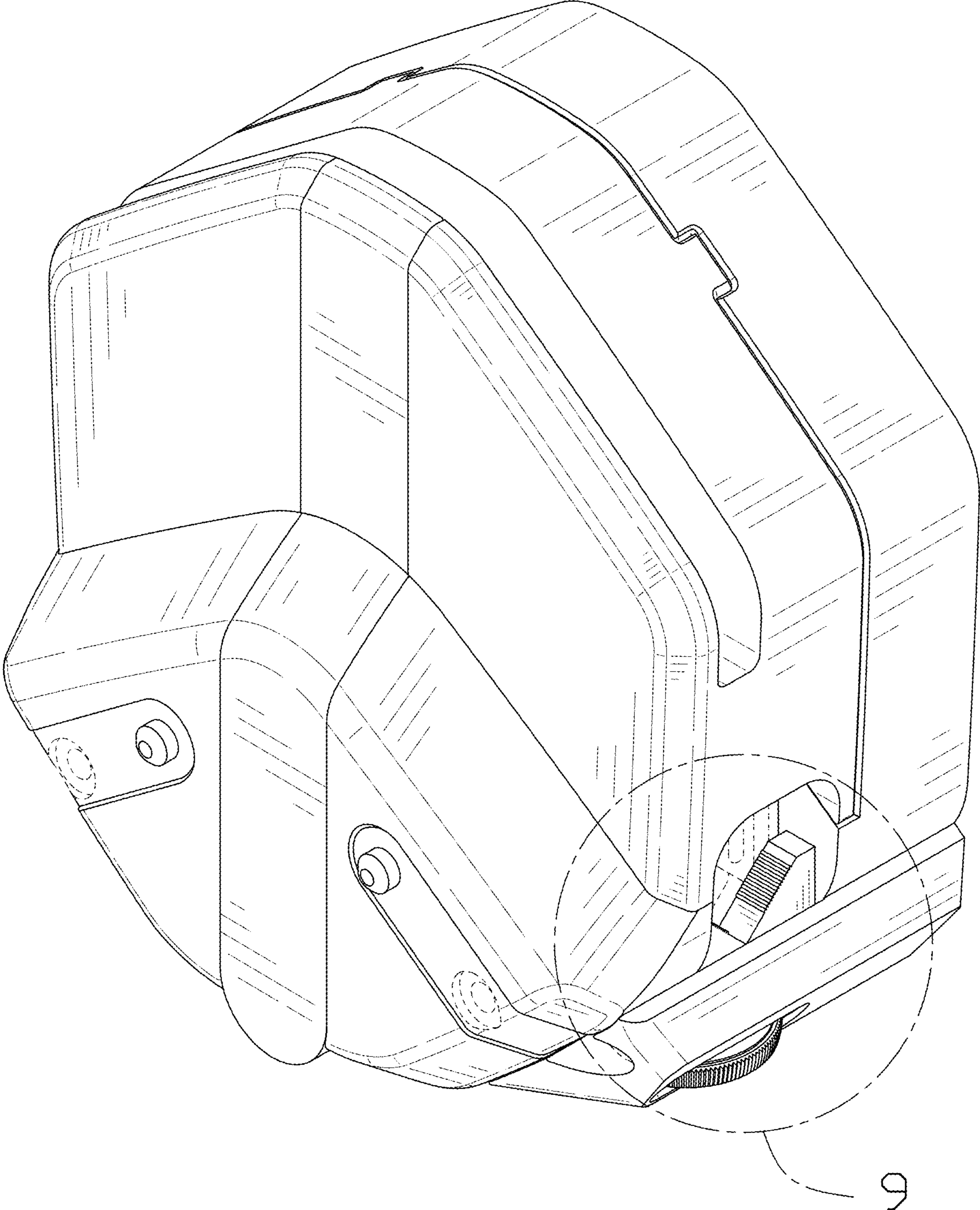


FIG. 1

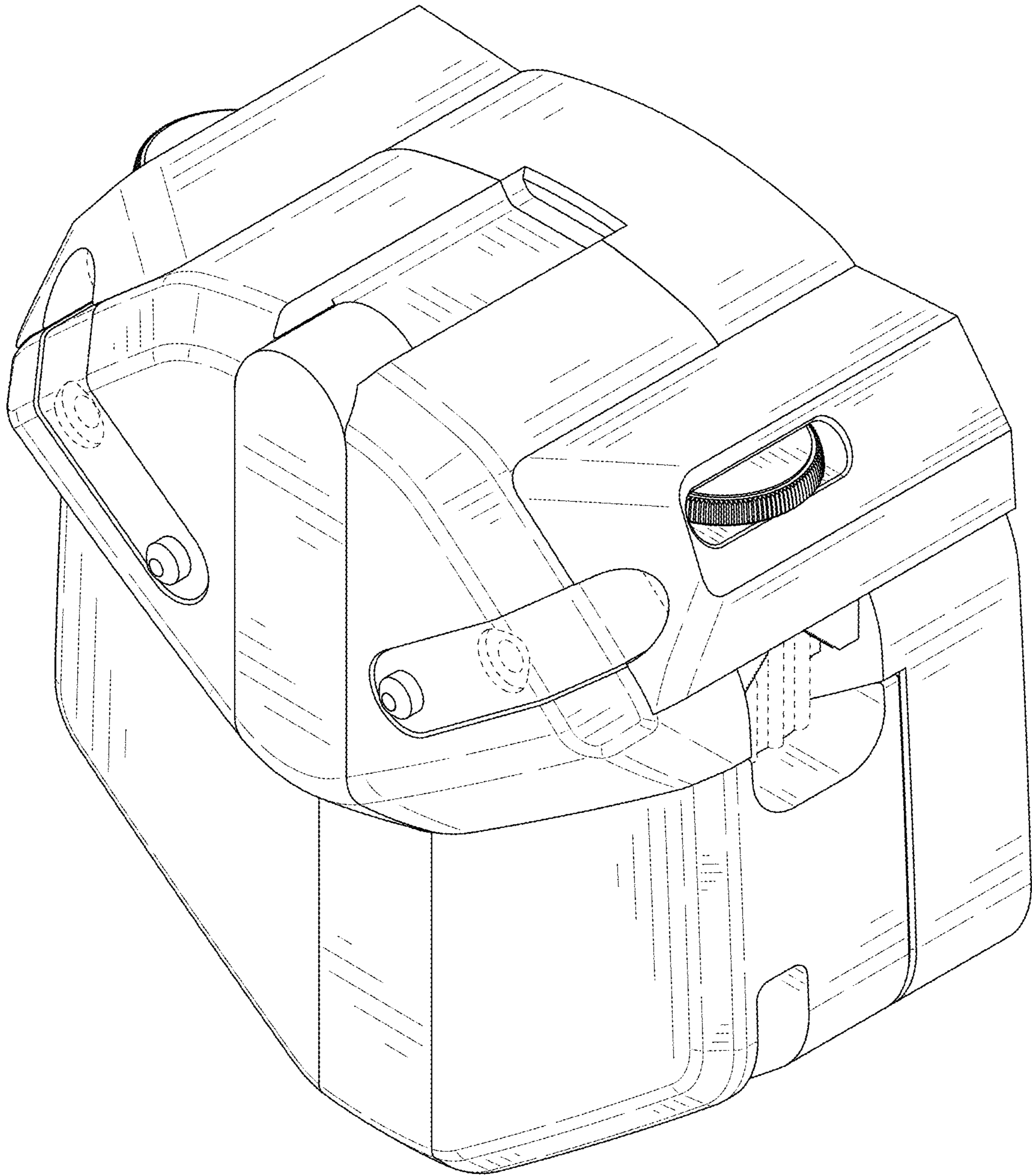


FIG. 2

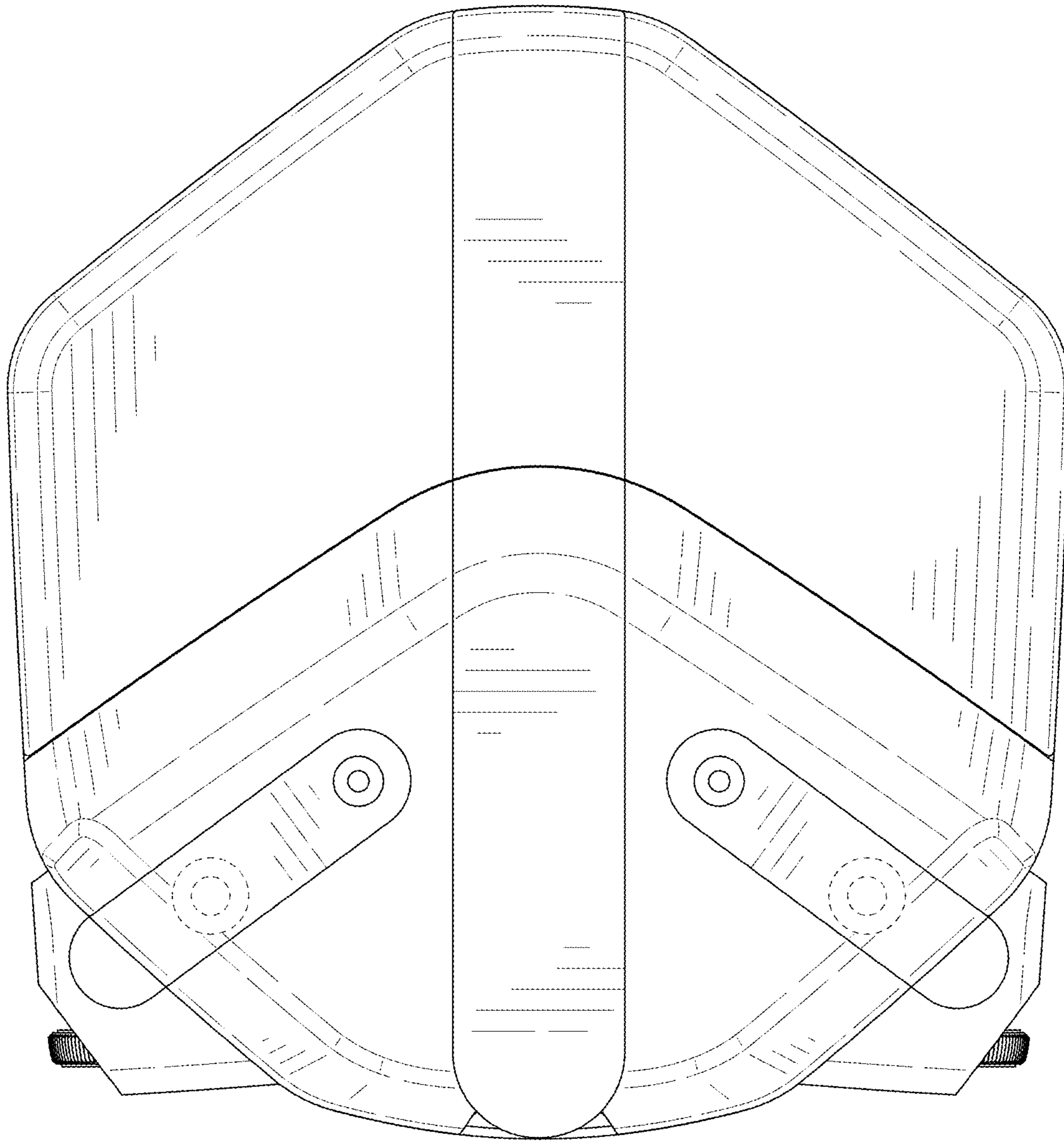


FIG. 3

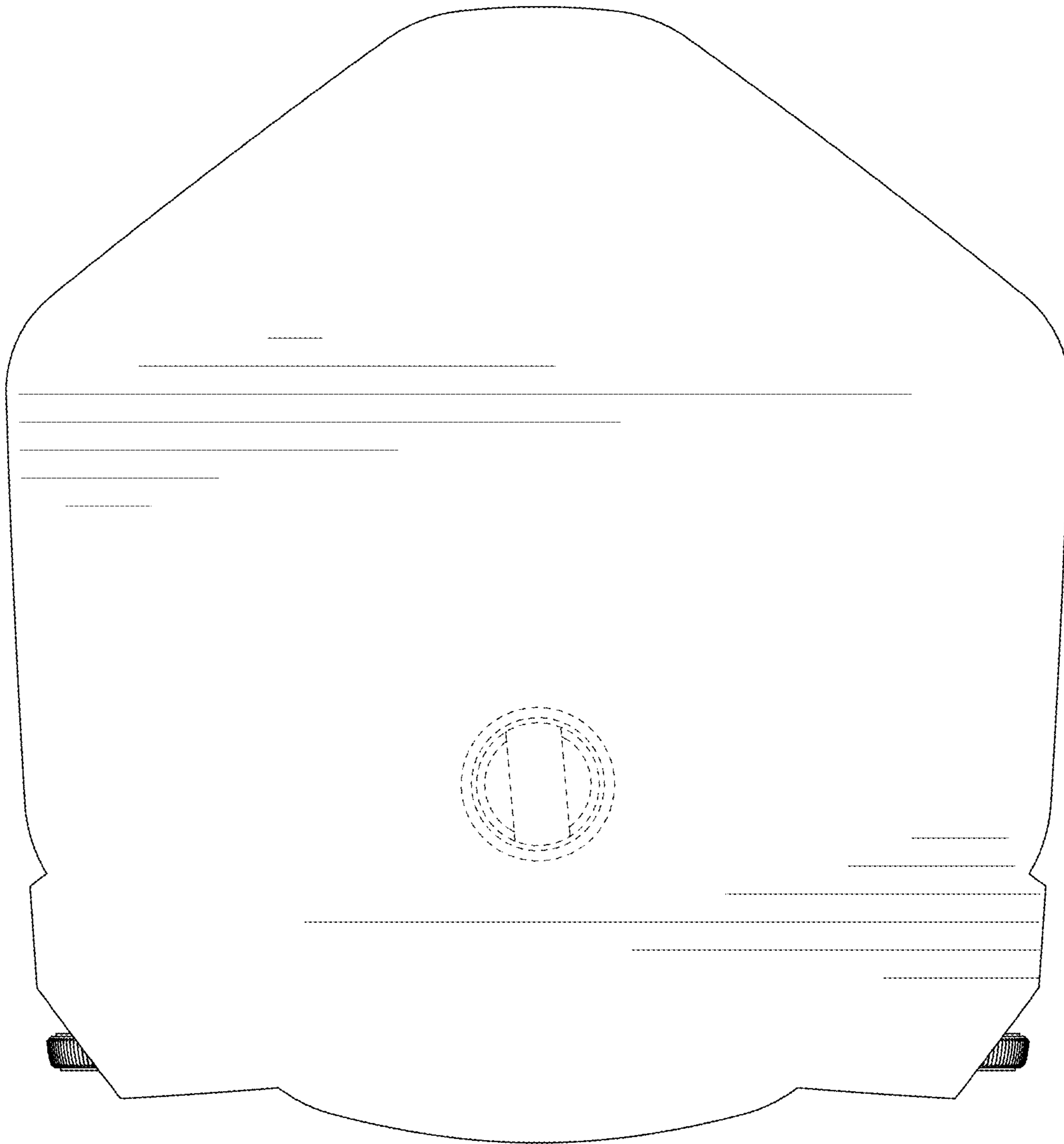


FIG. 4

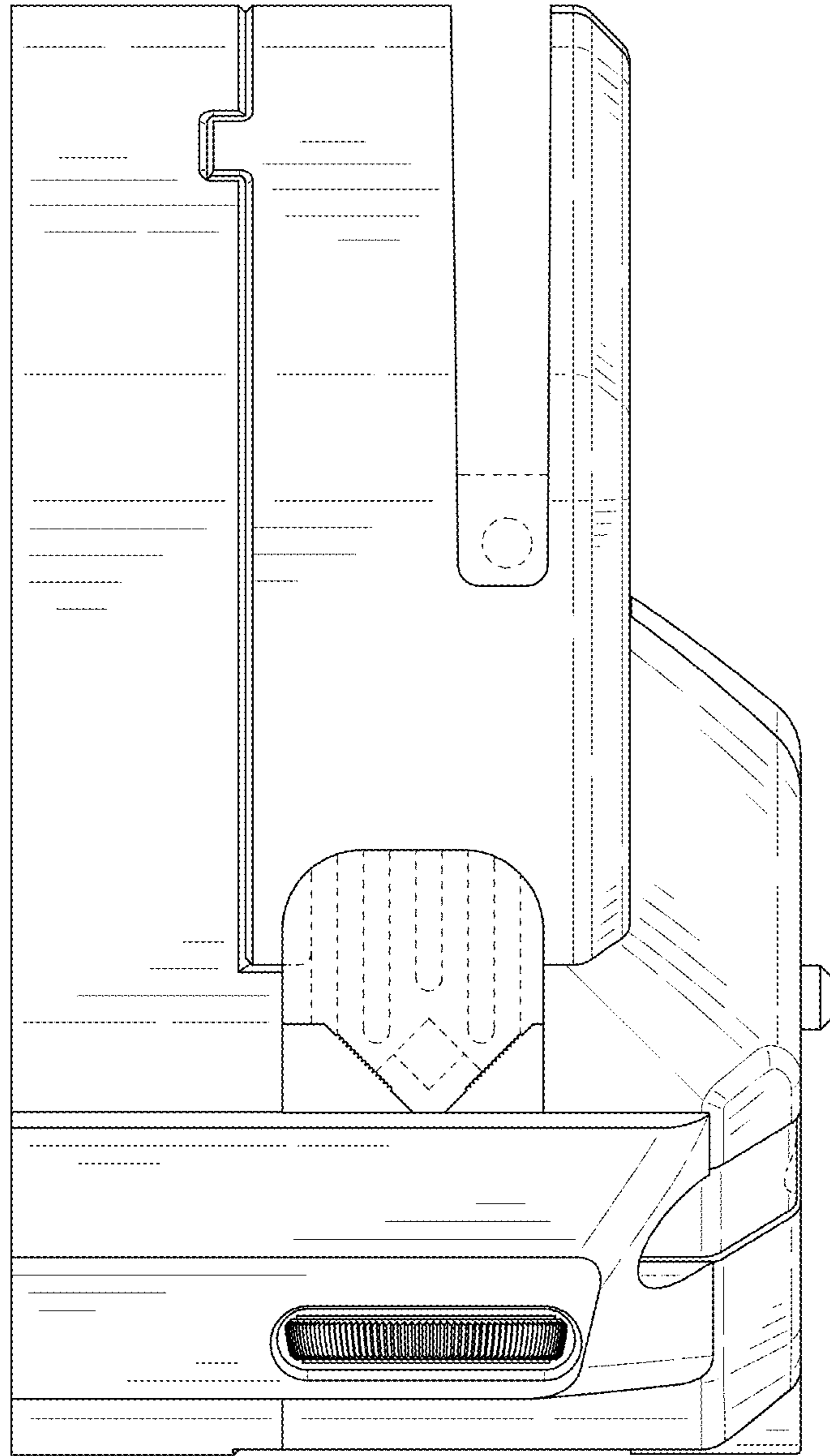


FIG. 5

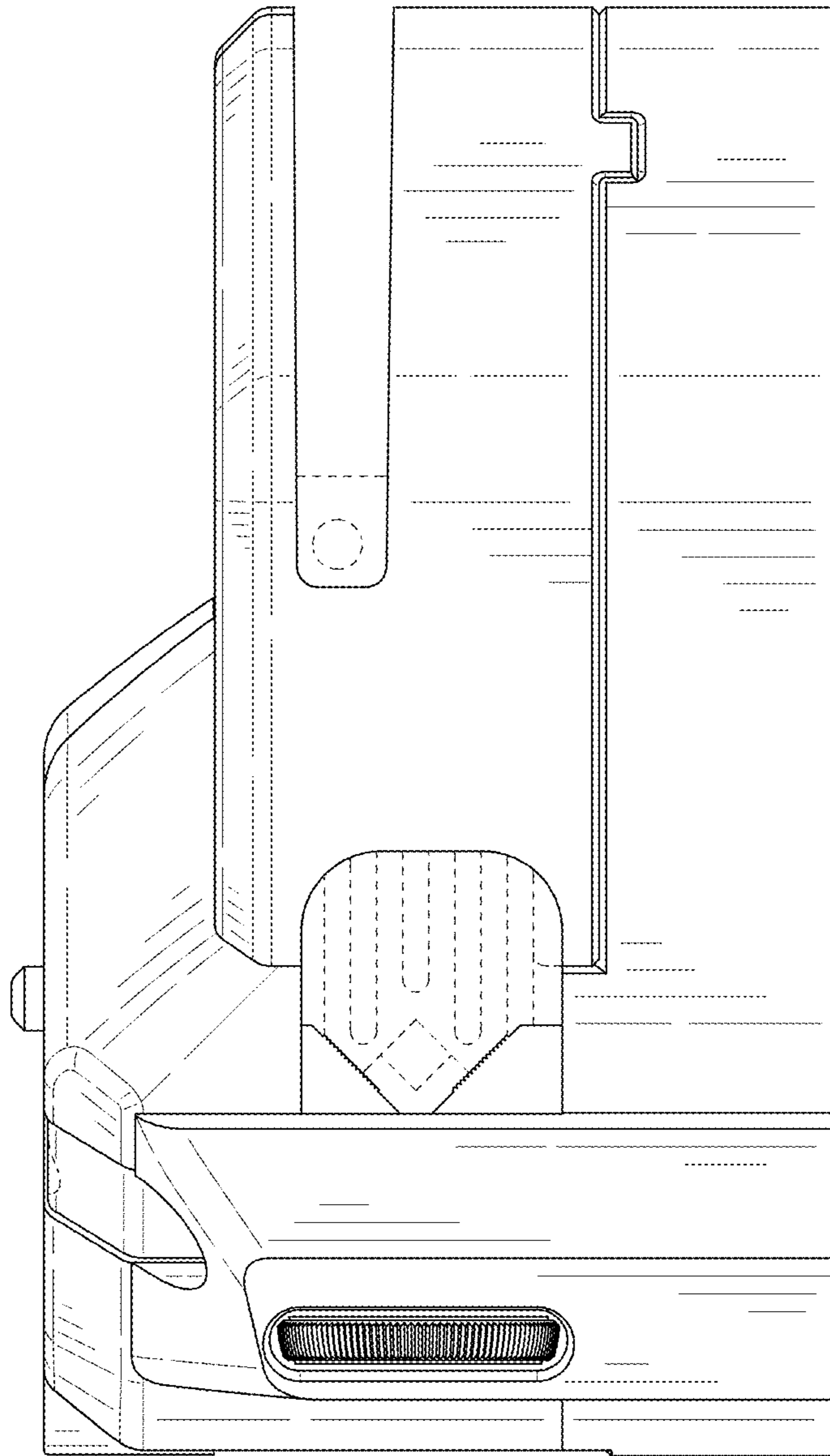


FIG. 6

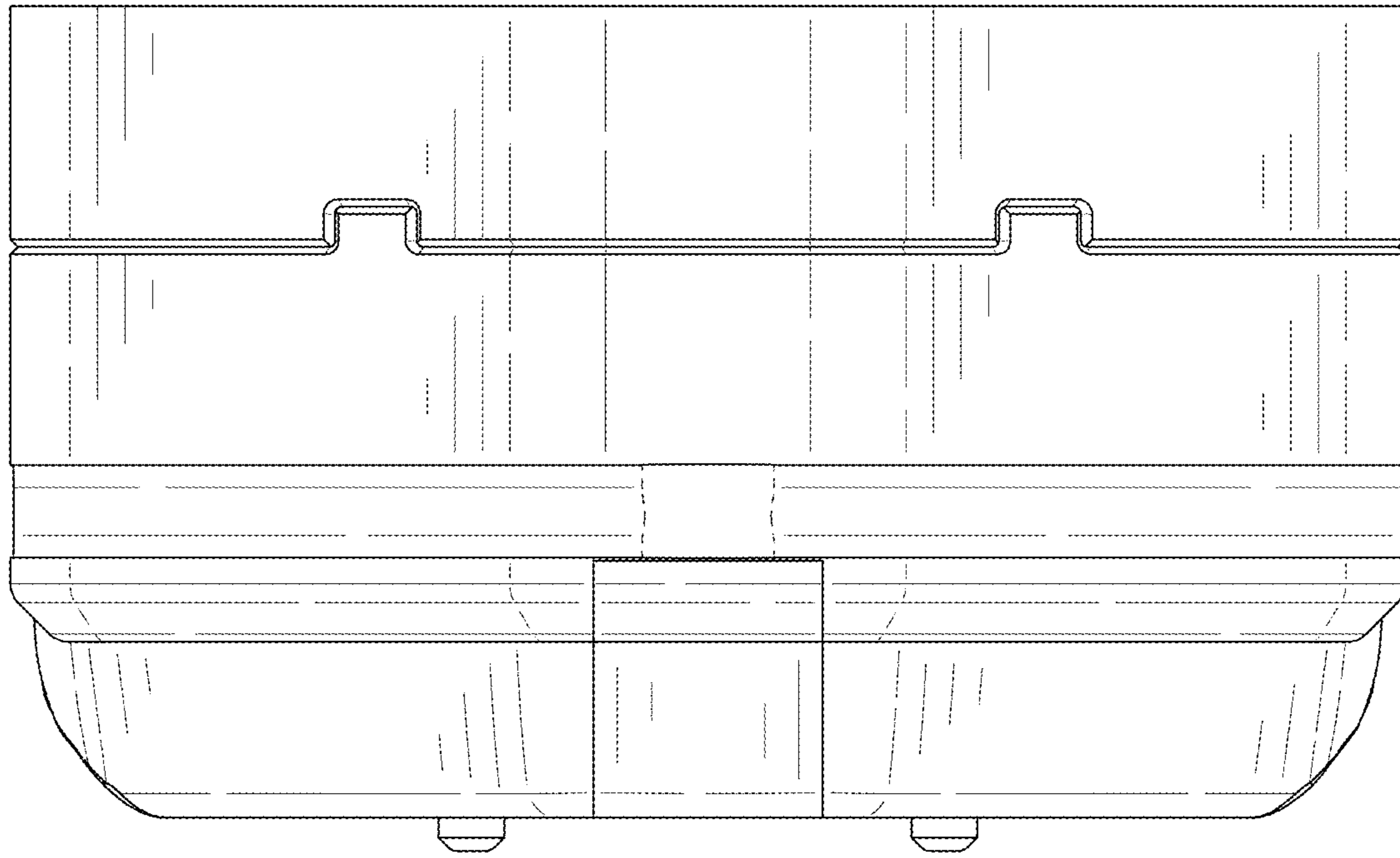


FIG. 7

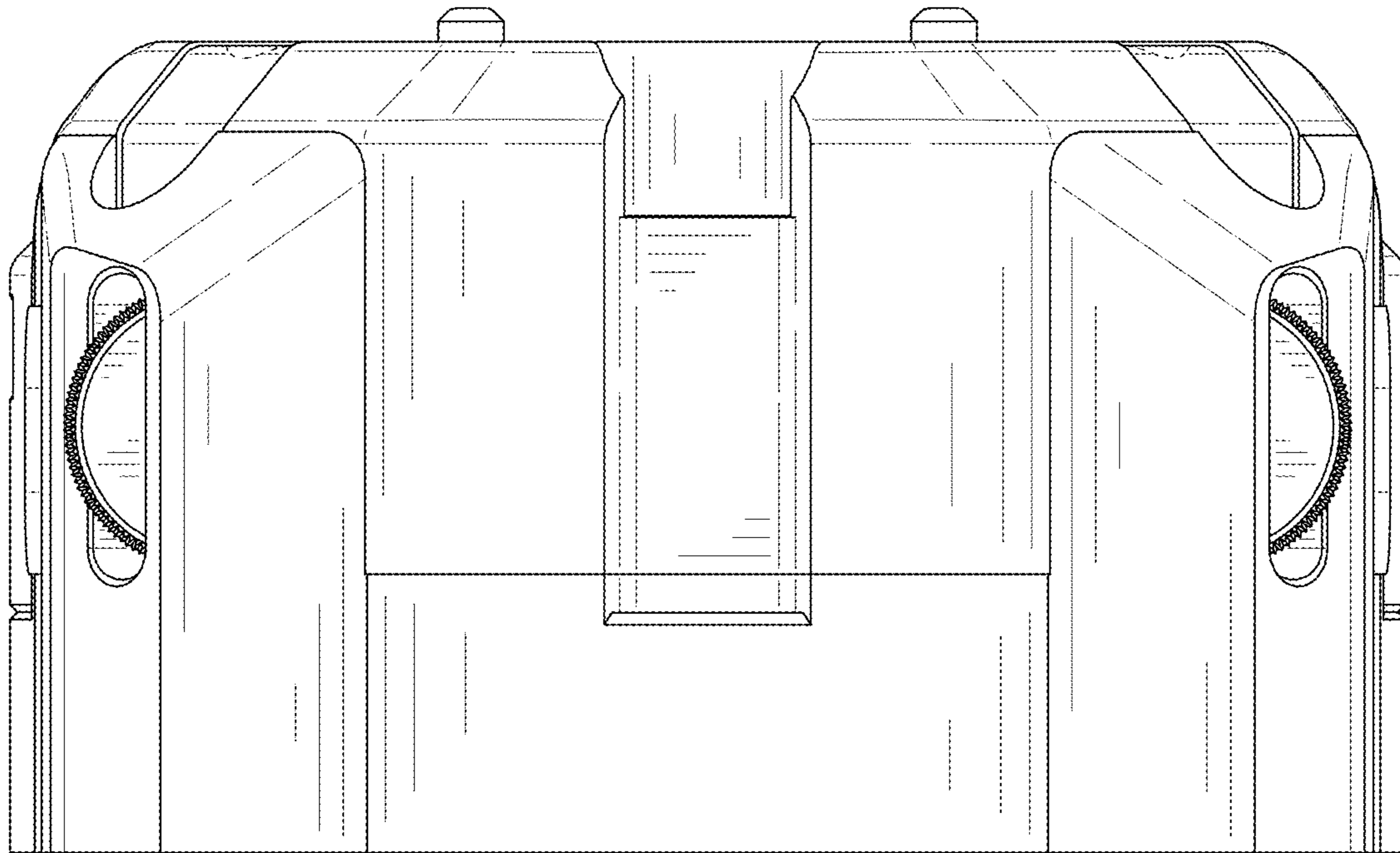


FIG. 8

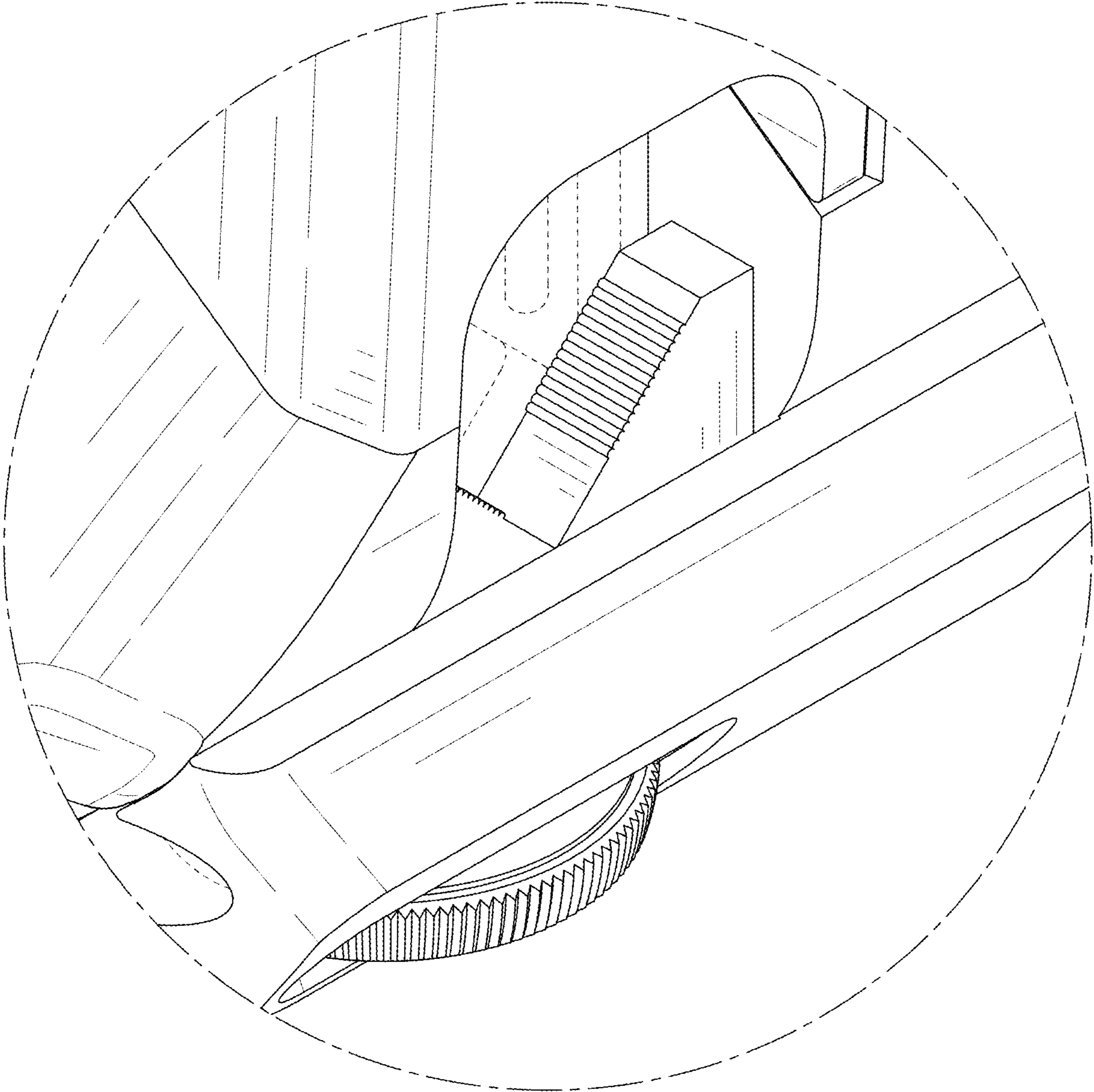


FIG. 9