



US00D939691S

(12) **United States Design Patent** (10) **Patent No.:** **US D939,691 S**
Bessho (45) **Date of Patent:** **** Dec. 28, 2021**

(54) **NOZZLE FOR ORAL WATERJET**
(71) Applicant: **Panasonic Intellectual Property Management Co., Ltd., Osaka (JP)**

D868,243 S * 11/2019 Taylor D24/111
D890,917 S * 7/2020 Taylor D24/111
D931,464 S * 9/2021 Berkely D24/176
2010/0190132 A1* 7/2010 Taylor A61C 17/0202
433/80

(72) Inventor: **Ushio Bessho, Kyoto (JP)**
(73) Assignee: **Panasonic Intellectual Property Management Co., Ltd., Osaka (JP)**

FOREIGN PATENT DOCUMENTS

CN 304474885 S 1/2018

(**) Term: **15 Years**
(21) Appl. No.: **29/711,769**
(22) Filed: **Nov. 1, 2019**

OTHER PUBLICATIONS

Soocas Oral Irrigator, posted at walmart.ca, earliest date reviewed unknown, [online], acquired on Sep. 28, 2021. <https://www.walmart.ca/en/ip/Xiaomi-Soocas-Oral-Irrigator-W3-Portable-Water-Flosser-Water-Jet-Cleaning-Tooth-Toothpick-Mouthpiece-Denture-Cleaner-Brush-2200mAh-USB-Rechargeable/5U14J9EMP9YA>.*

(30) **Foreign Application Priority Data**
Sep. 6, 2019 (JP) 2019-019893
(51) **LOC (13) Cl.** **24-02**
(52) **U.S. Cl.**
USPC **D24/111**
(58) **Field of Classification Search**
USPC D24/108, 111-113, 133, 152, 176;
D4/101, 138
CPC . A61C 17/0205; A61C 17/0202; A61C 17/00;
A61C 17/224; A61C 17/20; A61C
17/005; A61C 17/028; A61C 17/02; A61C
17/36; A61C 17/0211; A61C 17/0214;
A61C 17/28; A61C 17/043; A61C 17/22;
A61C 17/222; A61C 17/225
See application file for complete search history.

* cited by examiner

Primary Examiner — Sheryl Lane
Assistant Examiner — Aula Soroush
(74) *Attorney, Agent, or Firm* — Panasonic IP Management; Kerry S. Culpepper

(56) **References Cited**
U.S. PATENT DOCUMENTS
5,779,471 A * 7/1998 Tseng A61C 17/0205
433/80
D435,651 S * 12/2000 Hartwein D24/111
D438,954 S * 3/2001 Orsing D24/112
9,039,642 B2* 5/2015 Lee A61C 17/0202
601/162
D793,736 S 8/2017 Zavalloni
D800,896 S * 10/2017 Roberts D24/111
D802,120 S * 11/2017 Boyd D24/111

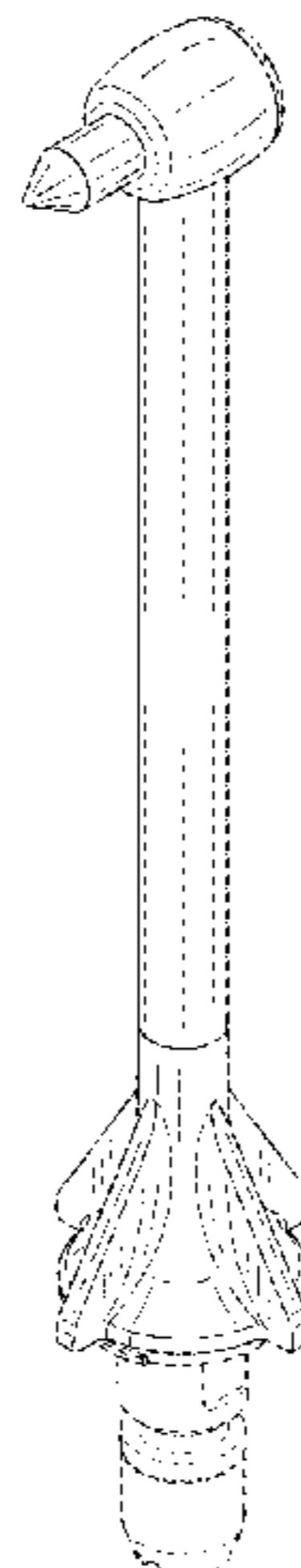
(57) **CLAIM**

I claim the ornamental design for a nozzle for oral waterjet, as shown and described.

DESCRIPTION

FIG. 1 is a front perspective view of a nozzle for oral waterjet of the present invention;
FIG. 2 is a front view thereof;
FIG. 3 is a rear view thereof;
FIG. 4 is a first side view thereof;
FIG. 5 is a second side view thereof;
FIG. 6 is a top view thereof;
FIG. 7 is a bottom view thereof; and,
FIG. 8 is an end view of the sectioned part taken along the line 8-8 in FIG. 2.

(Continued)



The broken lines in the drawings represent portions of the nozzle for oral waterjet that form no part of the claimed design.

1 Claim, 8 Drawing Sheets

FIG. 1

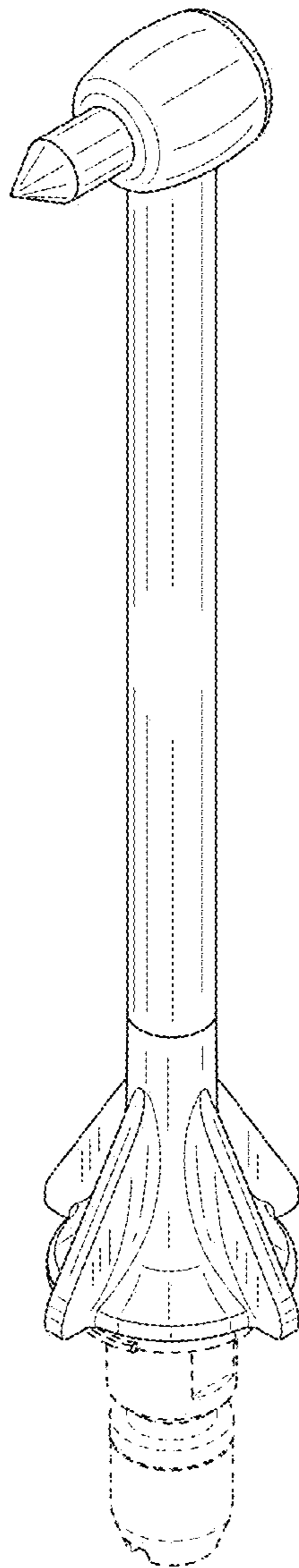


FIG. 2

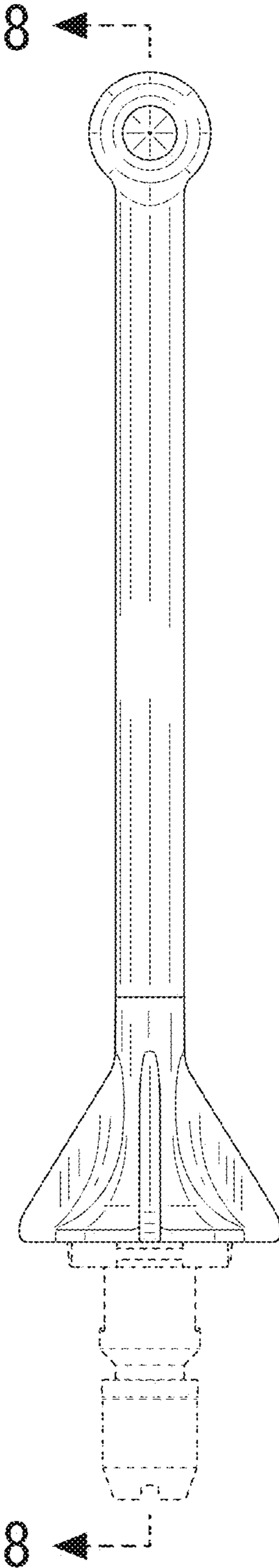


FIG. 3

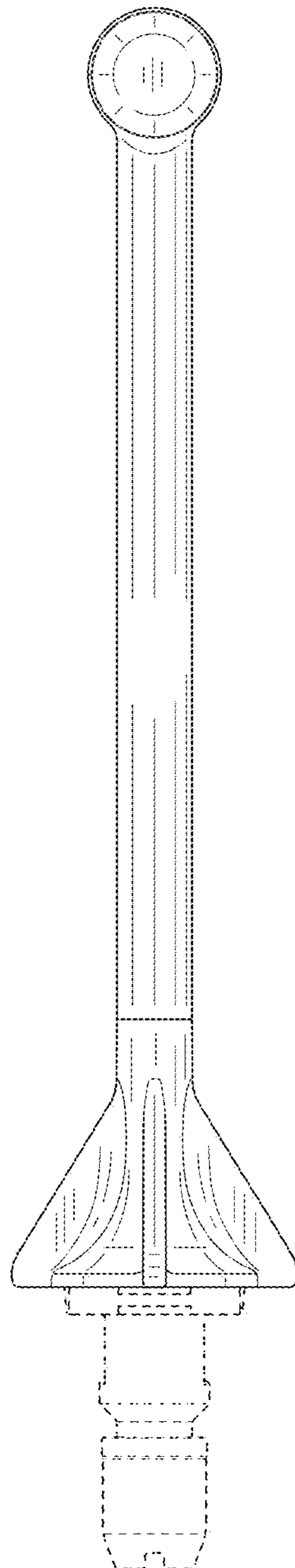


FIG. 4

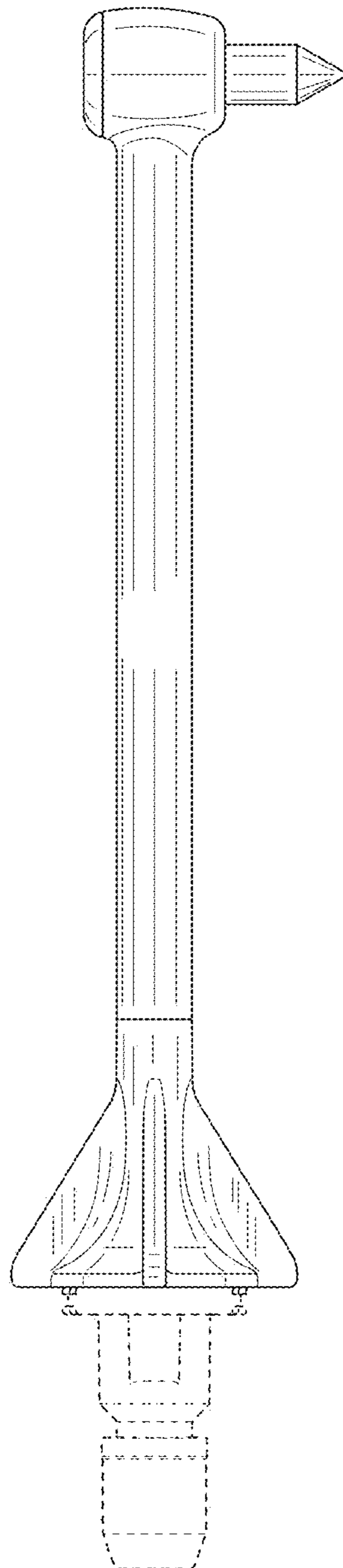


FIG. 5

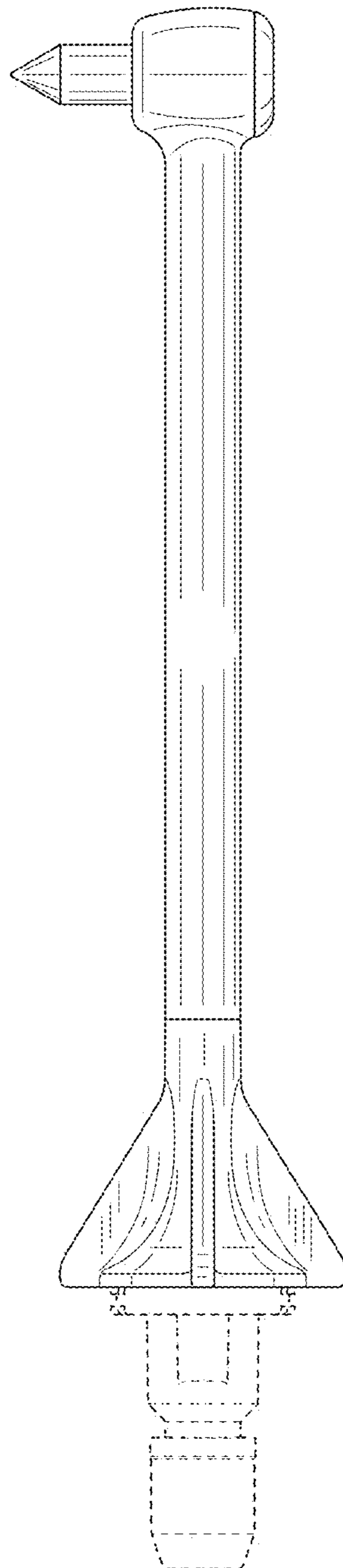


FIG. 6

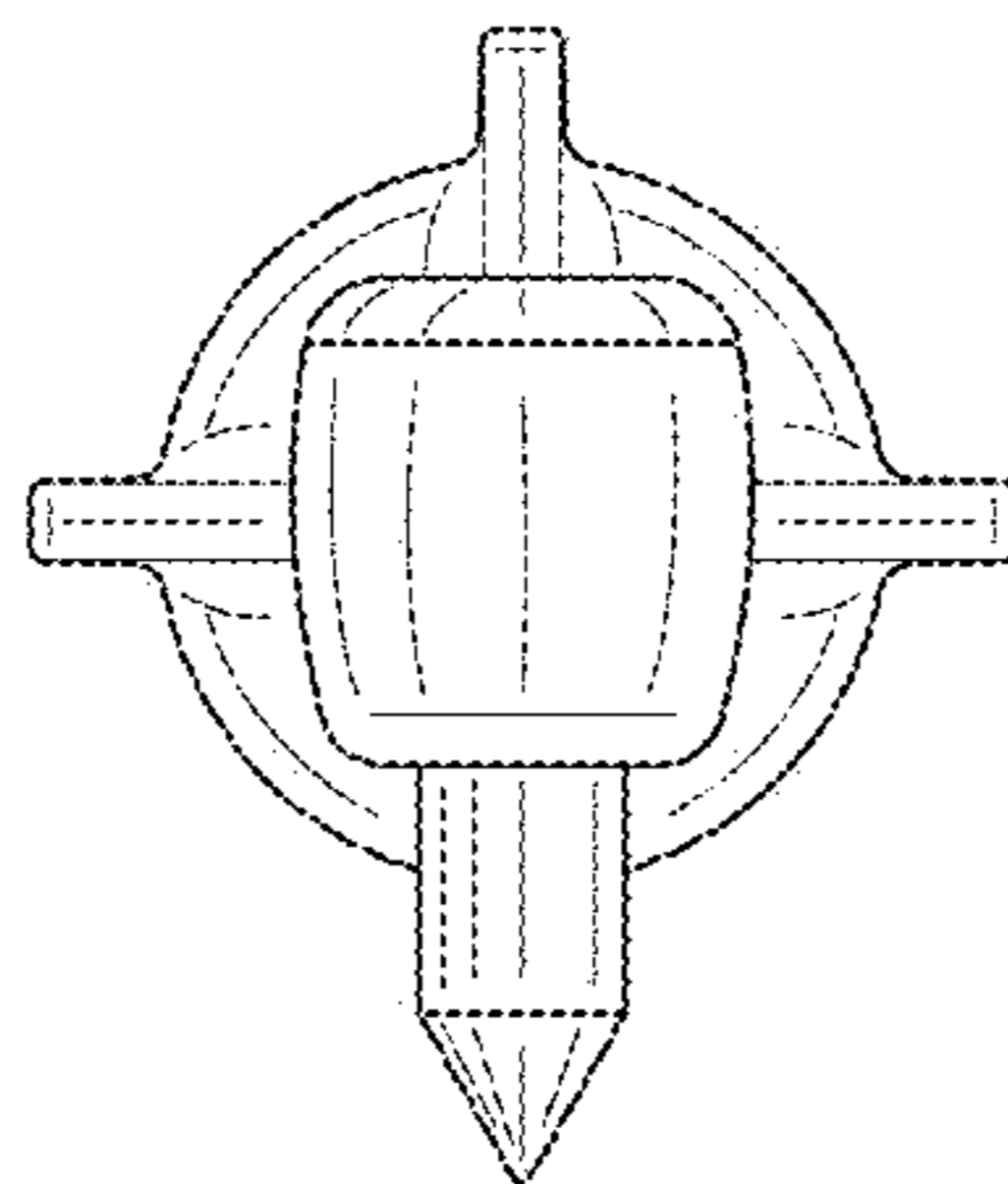


FIG. 7

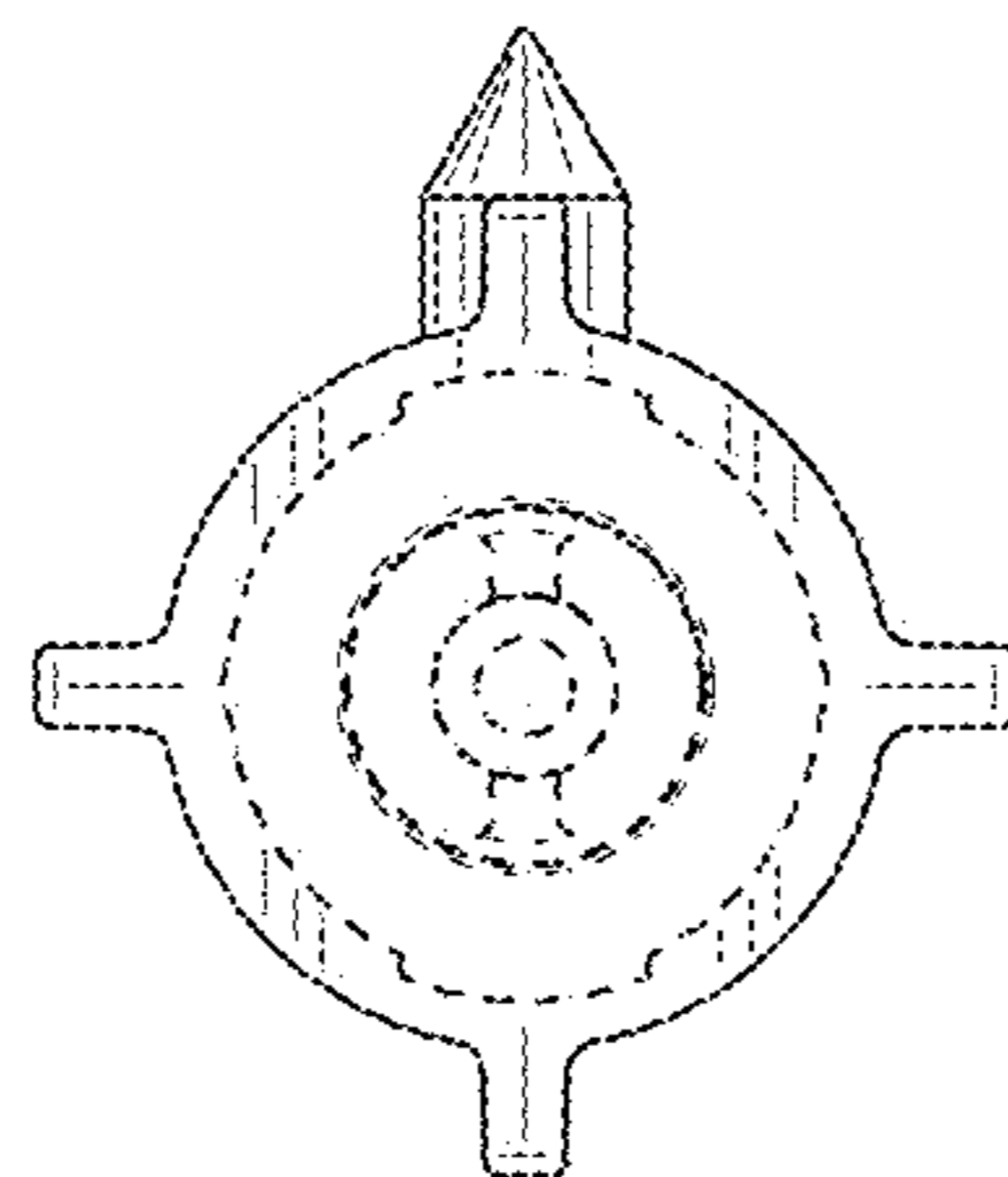


FIG. 8

