



US00D939690S

(12) **United States Design Patent** (10) **Patent No.:** **US D939,690 S**
Honisch et al. (45) **Date of Patent:** **** Dec. 28, 2021**

(54) **DENTAL WATER JET**
(71) Applicant: **Braun GmbH**, Kronberg (DE)
(72) Inventors: **Moritz Carlo Honisch**, Frankfurt (DE);
Dominik Langhammer, Frankfurt
(DE); **Fritz Schubert**, Bad Camberg
(DE)

D747,464 S * 1/2016 Taylor A61C 17/0202
D24/111
D758,736 S * 6/2016 Shigeno D4/101
D778,433 S * 2/2017 Li D24/111
D780,908 S * 3/2017 Ladwig D24/111
D782,657 S * 3/2017 Williams D24/111
D795,419 S * 8/2017 Kohler D24/111
(Continued)

(73) Assignee: **Braun GmbH**, Kronberg (DE)
(**) Term: **15 Years**

FOREIGN PATENT DOCUMENTS

CN 304371065 * 11/2017
CN 304439106 * 1/2018

(21) Appl. No.: **29/670,194**

OTHER PUBLICATIONS

(22) Filed: **Nov. 14, 2018**

Oral Irrigator Flosser Cleaner Water Hose Teeth Rinse Handle For
WP-100 WP-900 | Wish website reviews 2020, https://www.wish.com/...urr=USD&ad_price=5.58&campaign_id=7203534630&gclid=EAlalQobChMlieWOrNjN6QIVilrCh3nXQI1EAQYAyABEgKaBPD_BwE&hide_login_modal=true&share=web, site visisted May 24,
2020.*

(30) **Foreign Application Priority Data**

May 14, 2018 (WO) 7474101

(51) **LOC (13) Cl.** **24-02**

(52) **U.S. Cl.**
USPC **D24/111**

(58) **Field of Classification Search**
USPC D24/107-108, 111, 169, 185-186;
D4/102-103, 109-111, 138
CPC A61M 5/142; A61M 2205/502; A61M
5/1452; A61M 2205/505
See application file for complete search history.

(Continued)

Primary Examiner — John R Yeh
(74) *Attorney, Agent, or Firm* — Vladimir Vitenberg

(56) **References Cited**

(57) **CLAIM**

The ornamental design for a dental water jet, as shown and
described.

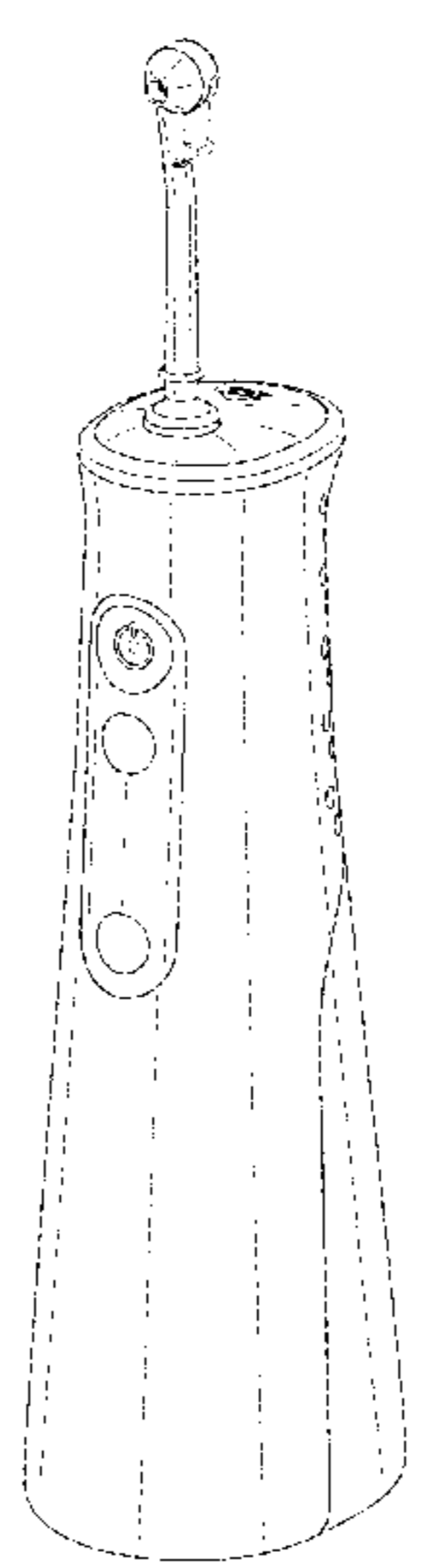
U.S. PATENT DOCUMENTS

4,471,890 A * 9/1984 Dougherty B65D 47/18
222/190
D468,422 S * 1/2003 McCurrach D24/111
D486,573 S * 2/2004 Callaghan D24/111
D492,996 S * 7/2004 Rehkemper D24/111
D548,334 S * 8/2007 Izumi D24/111
D569,623 S * 5/2008 Beedham D4/101
D625,406 S * 10/2010 Seki D24/111
D669,978 S * 10/2012 Gebski D24/111
D694,398 S * 11/2013 Taylor D24/108
D702,830 S * 4/2014 Hannah D24/108
D739,930 S * 9/2015 Takenouchi 604/118

DESCRIPTION

FIG. 1 is a perspective view of a dental water jet;
FIG. 2 is a front view thereof;
FIG. 3 is a right-side view thereof;
FIG. 4 is a rear view thereof;
FIG. 5 is a left-side view thereof;
FIG. 6 is a top view thereof; and,
FIG. 7 is a bottom view thereof.
The broken lines in the figures illustrate portions of the
dental water jet which form no part of the claimed design.

1 Claim, 3 Drawing Sheets



(56)

References Cited

U.S. PATENT DOCUMENTS

D819,196 S * 5/2018 Kim D24/111
D832,422 S * 10/2018 Kohler D24/111
D861,351 S * 10/2019 Albay D4/101
D865,160 S * 10/2019 Yan D24/111
D866,750 S * 11/2019 Yan D24/111
D881,383 S * 4/2020 Chen D24/111
D881,582 S * 4/2020 Smigel D4/101
D888,935 S * 6/2020 Fang D24/111
D895,791 S * 9/2020 Yuan D24/111
D903,099 S * 11/2020 Huang D24/111
D907,195 S * 1/2021 Li D24/111
D913,484 S * 3/2021 Li D24/111
D922,565 S * 6/2021 Wang D24/111
2008/0008979 A1 * 1/2008 Thomas A61C 17/0205
433/80
2016/0151133 A1 * 6/2016 Luetgen F04B 19/22
433/80

OTHER PUBLICATIONS

Amazon.com: Oral-B Pro 2900 Electric Rechargeable Toothbrush, reviews 2018, <https://www.amazon.com/Oral-B-Electric-Rechargeable-Toothbrush-Powered/dp/B072VBF6M4#customerReviews>, site visited May 24, 2020.*

* cited by examiner

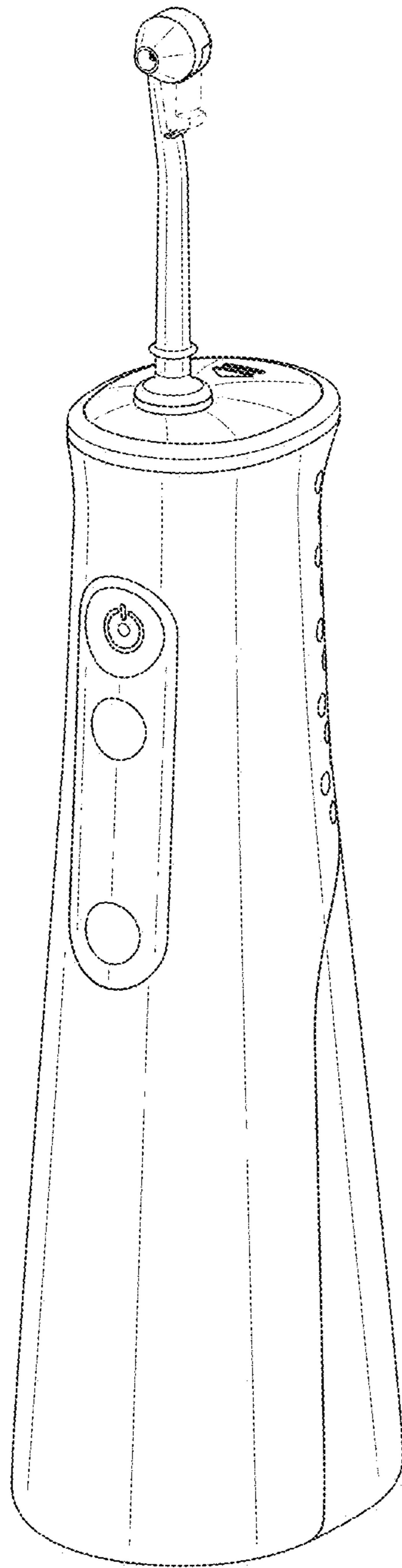


FIG. 1

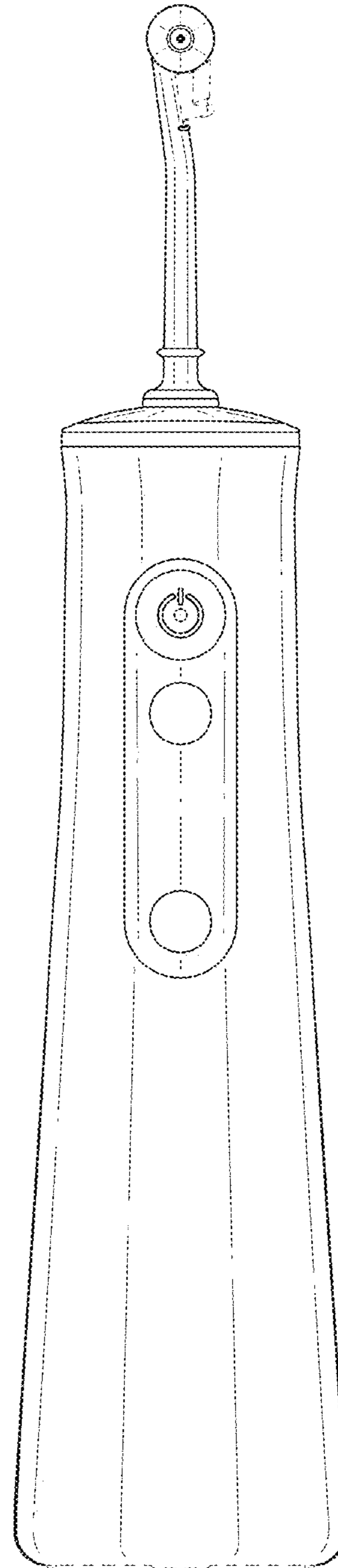


FIG. 2

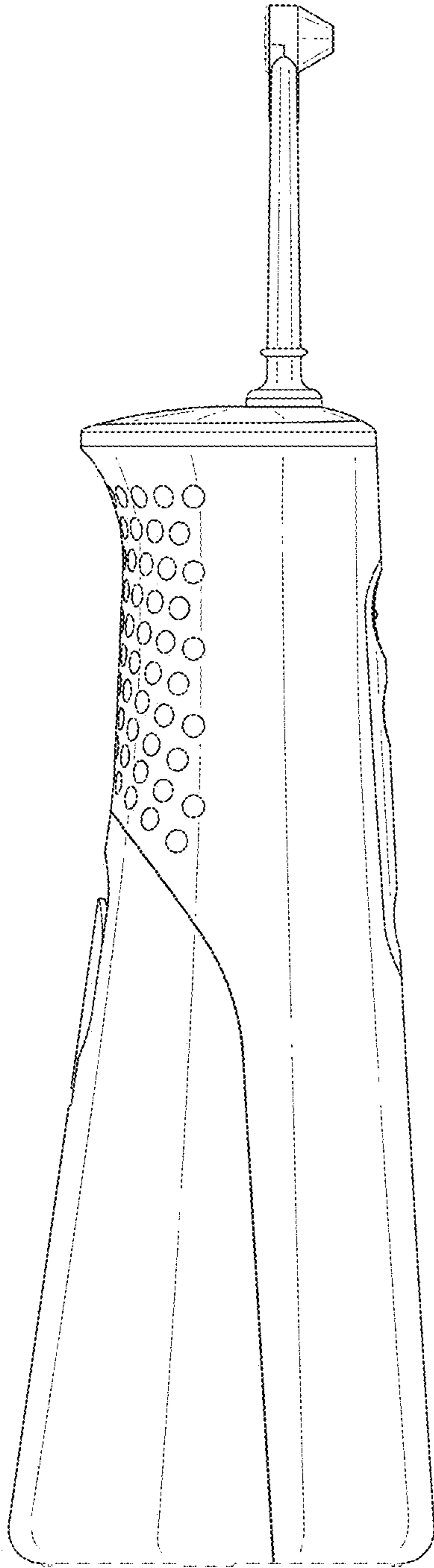


FIG. 3

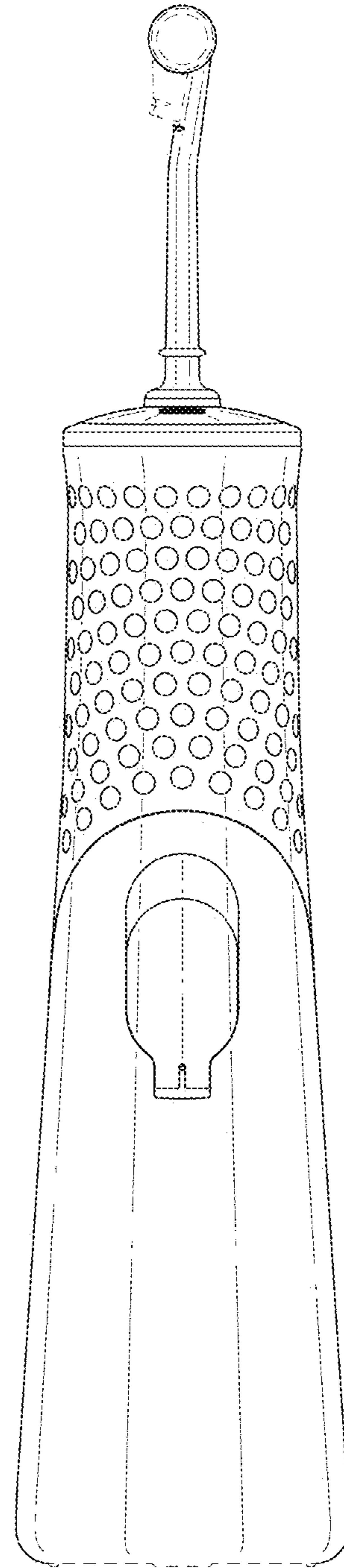


FIG. 4

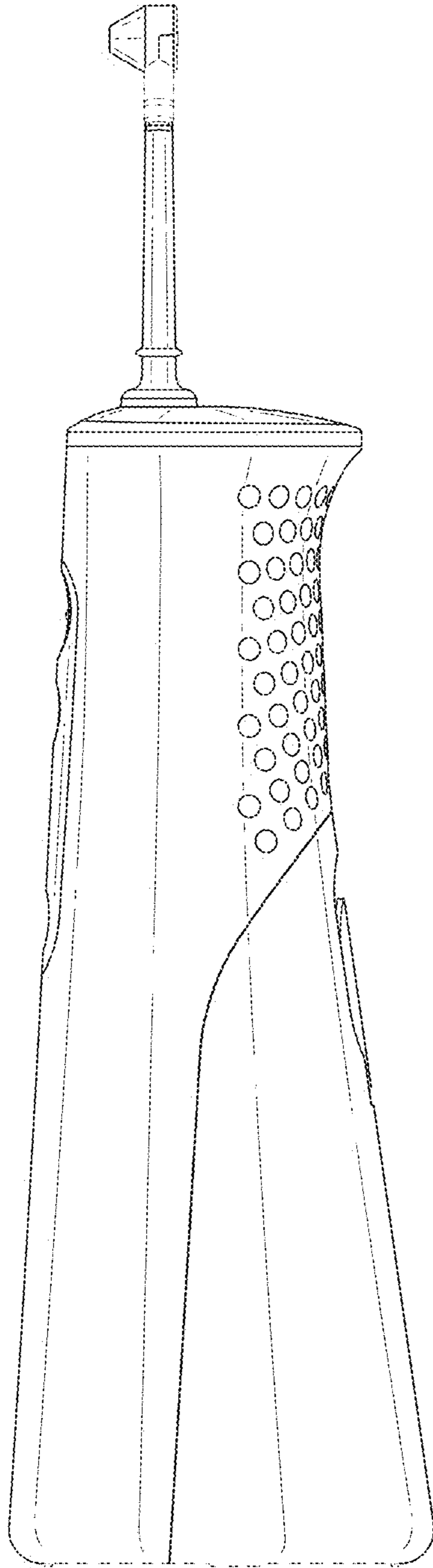


FIG. 5

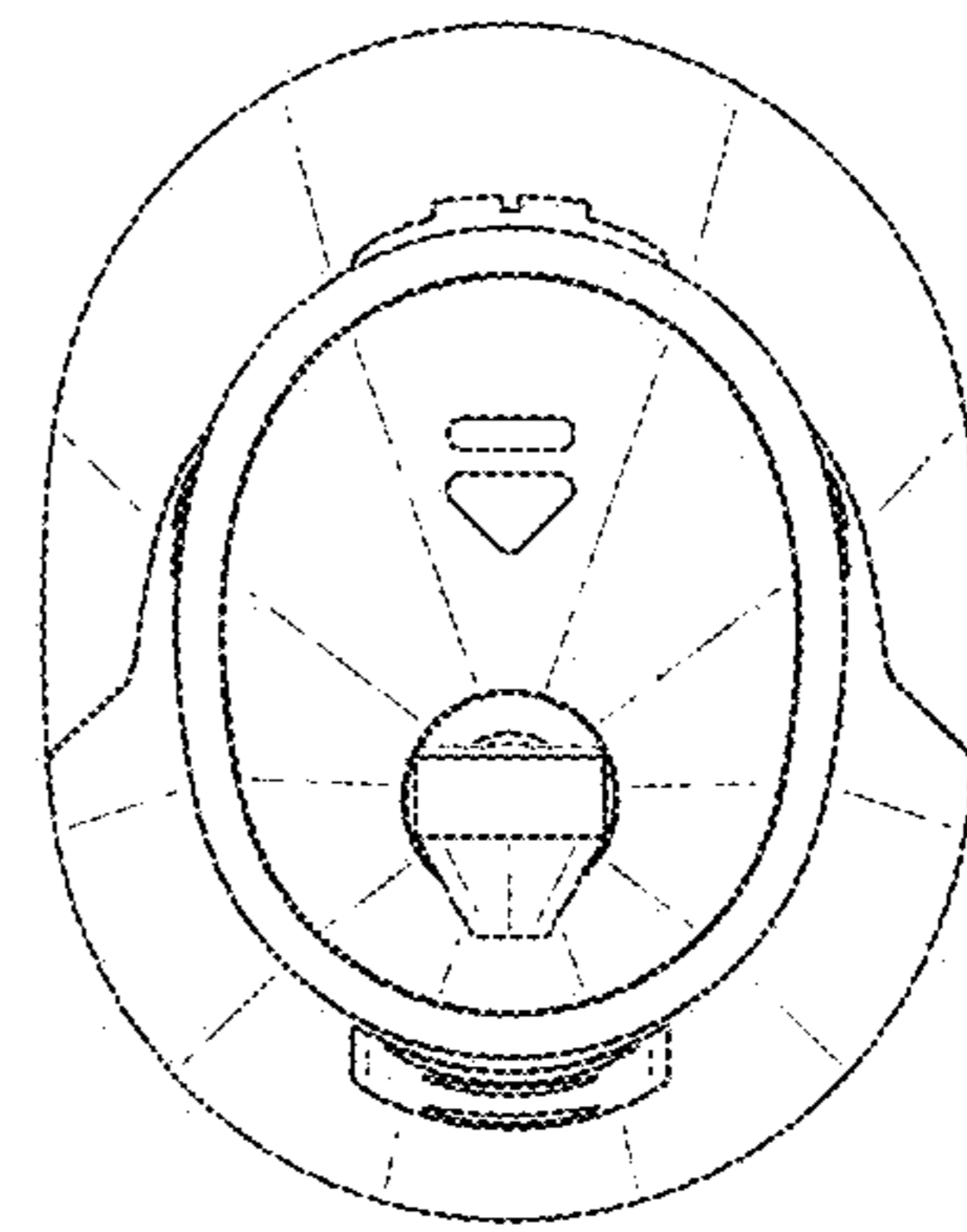


FIG. 6

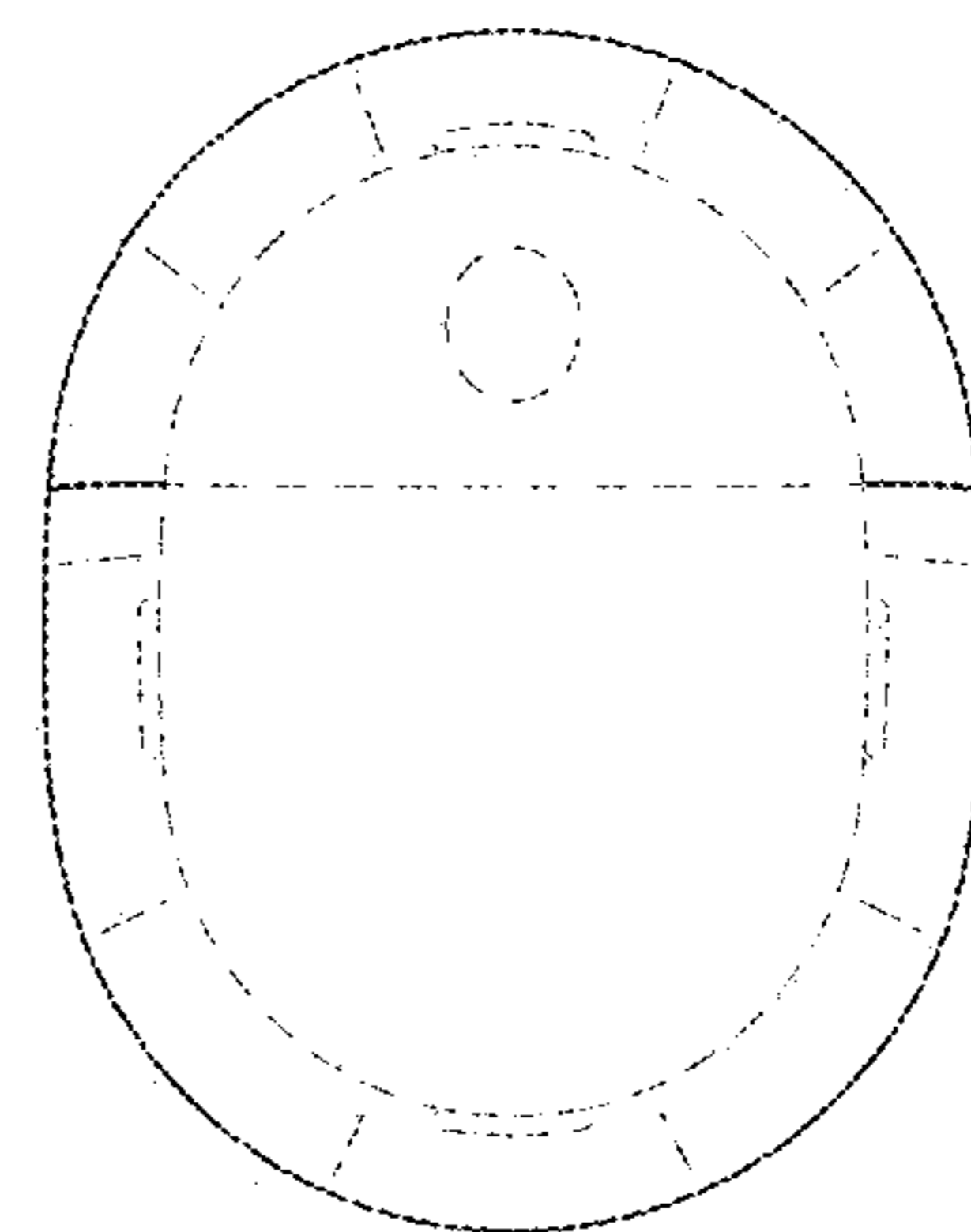


FIG. 7