



US00D939689S

(12) **United States Design Patent**
Mallady, Jr.

(10) **Patent No.:** **US D939,689 S**

(45) **Date of Patent:** **** Dec. 28, 2021**

(54) **PROTECTIVE FACE MASK**

(71) Applicant: **Roy C. Mallady, Jr.**, Atlanta, GA (US)

(72) Inventor: **Roy C. Mallady, Jr.**, Atlanta, GA (US)

(**) Term: **15 Years**

(21) Appl. No.: **29/734,038**

(22) Filed: **May 8, 2020**

(51) **LOC (13) Cl.** **29-02**

(52) **U.S. Cl.**
USPC **D24/110.1**

(58) **Field of Classification Search**
USPC D24/110, 110.1–110.4, 162; D29/102,
D29/105–108, 110

CPC . A41D 13/11; A41D 13/1107; A41D 13/1115;
A41D 13/113; A41D 13/1161;

(Continued)

(56) **References Cited**

U.S. PATENT DOCUMENTS

D400,674 S * 11/1998 Miura D24/110.1
D642,258 S * 7/2011 Messier D24/110.1
D642,259 S * 7/2011 Messier D24/110.1

(Continued)

FOREIGN PATENT DOCUMENTS

CN 304382160 * 12/2017
CN 304382161 * 12/2017

(Continued)

OTHER PUBLICATIONS

Eating Face Mask by trendymsks. Etsy. Oldest review date: Nov. 10, 2020. Retrieval date: Jul. 12, 2021. Retrieved from internet: <https://www.etsy.com/listing/862285262/eating-face-mask-drink-mask-straw-mask> (Year: 2020).*

(Continued)

Primary Examiner — Lilyana Bekic

Assistant Examiner — Lee D. Starr

(74) *Attorney, Agent, or Firm* — David L. King

(57) **CLAIM**

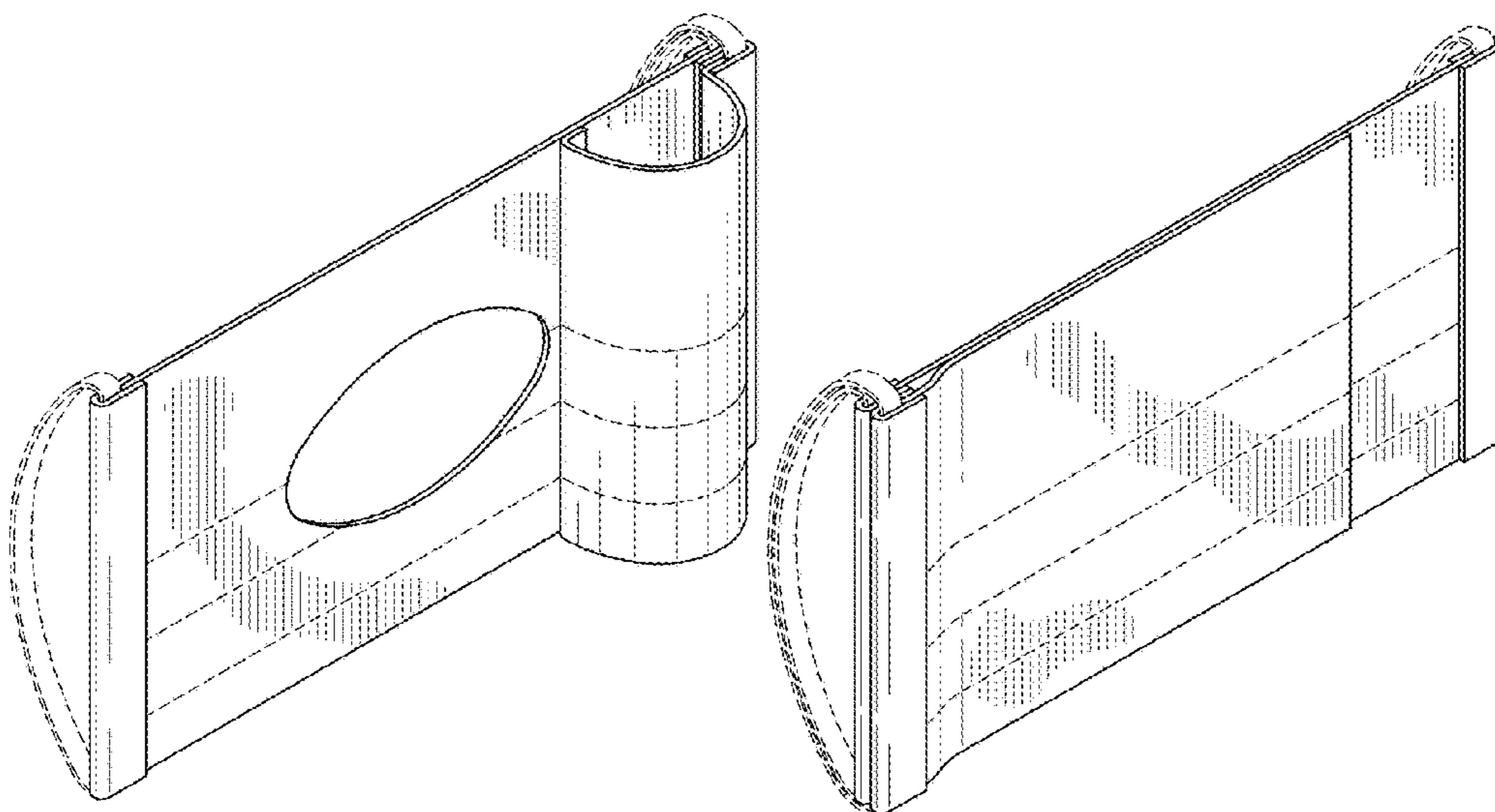
The ornamental design for a “protective face mask”, as shown and described.

DESCRIPTION

FIG. 1 is a top front left perspective view of a protective face mask in an open position showing my new design; FIG. 2 is a bottom rear left perspective view thereof; FIG. 3 is a front elevational view thereof; FIG. 4 is a rear elevational view thereof; FIG. 5 is a top plan view thereof; FIG. 6 is a bottom plan view thereof; FIG. 7 is a left side elevational view thereof; FIG. 8 is a right side elevational view thereof; FIG. 9 is a front left perspective view thereof, shown in an open position on a wearer in an environment of use; FIG. 10 is a front left perspective view thereof, shown in a closed position on a wearer in an environment of use; FIG. 11 is a top front left perspective view of the protective face mask in a closed position; FIG. 12 is a bottom rear left perspective view thereof; FIG. 13 is a front elevational view thereof; FIG. 14 is a rear elevational view thereof; FIG. 15 is a top plan view thereof; FIG. 16 is a bottom plan view thereof; FIG. 17 is a left side elevational view thereof; and, FIG. 18 is a right side elevational view thereof.

The dash-dash broken line showing of the wearer in FIGS. 9 and 10 depicts environmental subject matter that forms no part of the claimed design. The short dash-short dash-long dash broken lines in FIGS. 9 and 10 depict a boundary of the environment and form no part of the claimed design. All other broken lines in the drawings depict portions of the protective face mask that form no part of the claimed design.

1 Claim, 8 Drawing Sheets



(58) **Field of Classification Search**

CPC .. A41D 2400/52; A62B 23/025; A62B 18/025
See application file for complete search history.

(56) **References Cited**

U.S. PATENT DOCUMENTS

D693,062 S * 11/2013 Bowen D29/108
D803,391 S * 11/2017 Reese D24/110.1
D854,144 S * 7/2019 Bowen D24/110.1
2014/0076334 A1 * 3/2014 Cheng A61B 46/00
128/857
2016/0029716 A1 * 2/2016 Duncan A41D 13/11
128/863
2018/0007982 A1 * 1/2018 Reese A41D 31/14
2020/0329792 A1 * 10/2020 Howard A41D 13/11
2021/0329993 A1 * 10/2021 Mallady, Jr. A41D 13/1161

FOREIGN PATENT DOCUMENTS

CN 304382162 * 12/2017
CN 306343780 * 2/2021
CN 306355273 * 2/2021

OTHER PUBLICATIONS

“Wondering how to eat, drink while staying protected from coronavirus? Check out these masks” by Brenda Cain, cleveland.com. Posted date: Jun. 25, 2020. Retrieval date: Jul. 12, 2021. Retrieved from internet: <https://www.cleveland.com/coronavirus/2020/06/wondering-how-to-eat-drink-while-staying-protected-from-coronavirus-check-out-these-masks.html> (Year: 2020).*

* cited by examiner

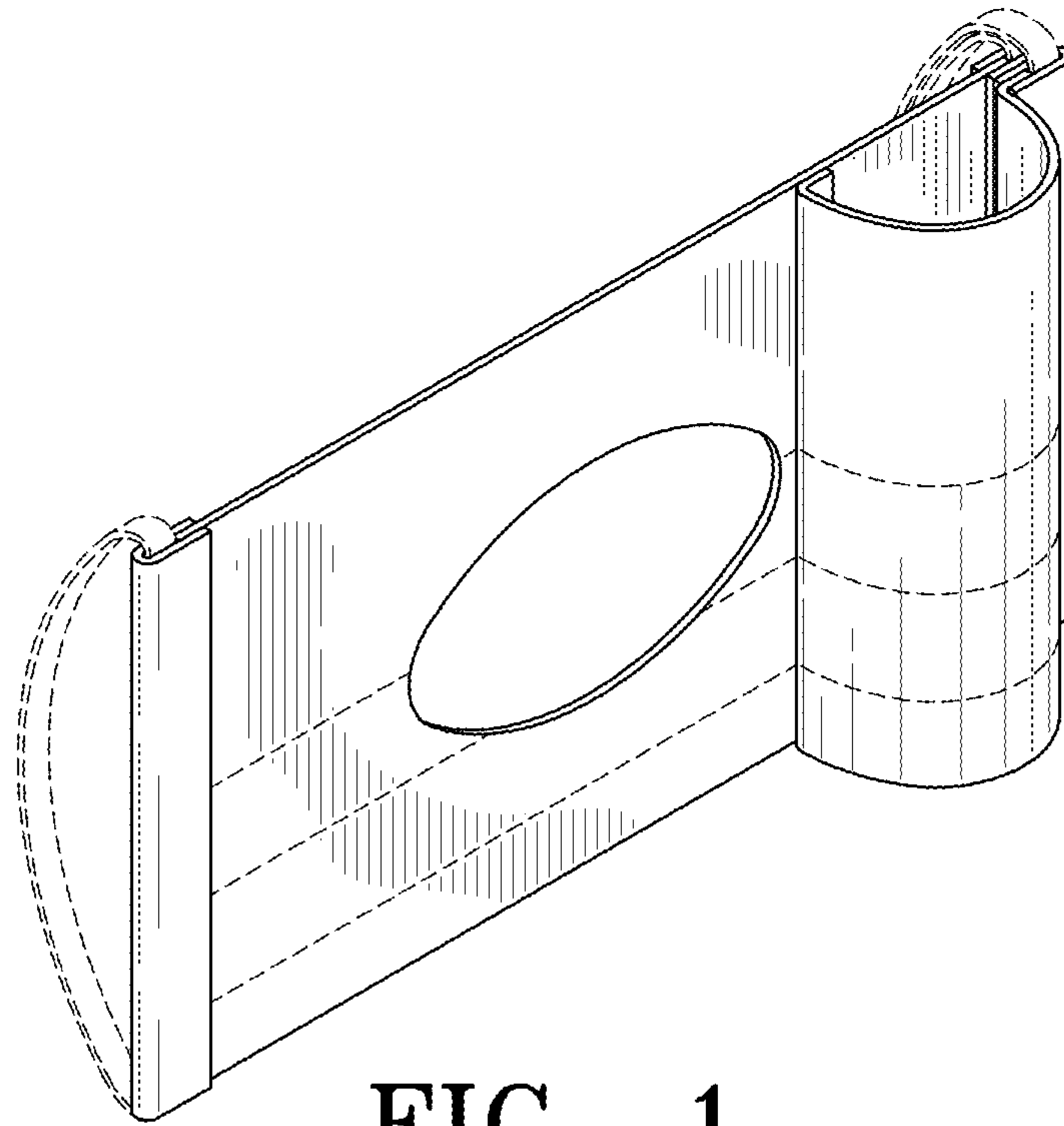


FIG. 1

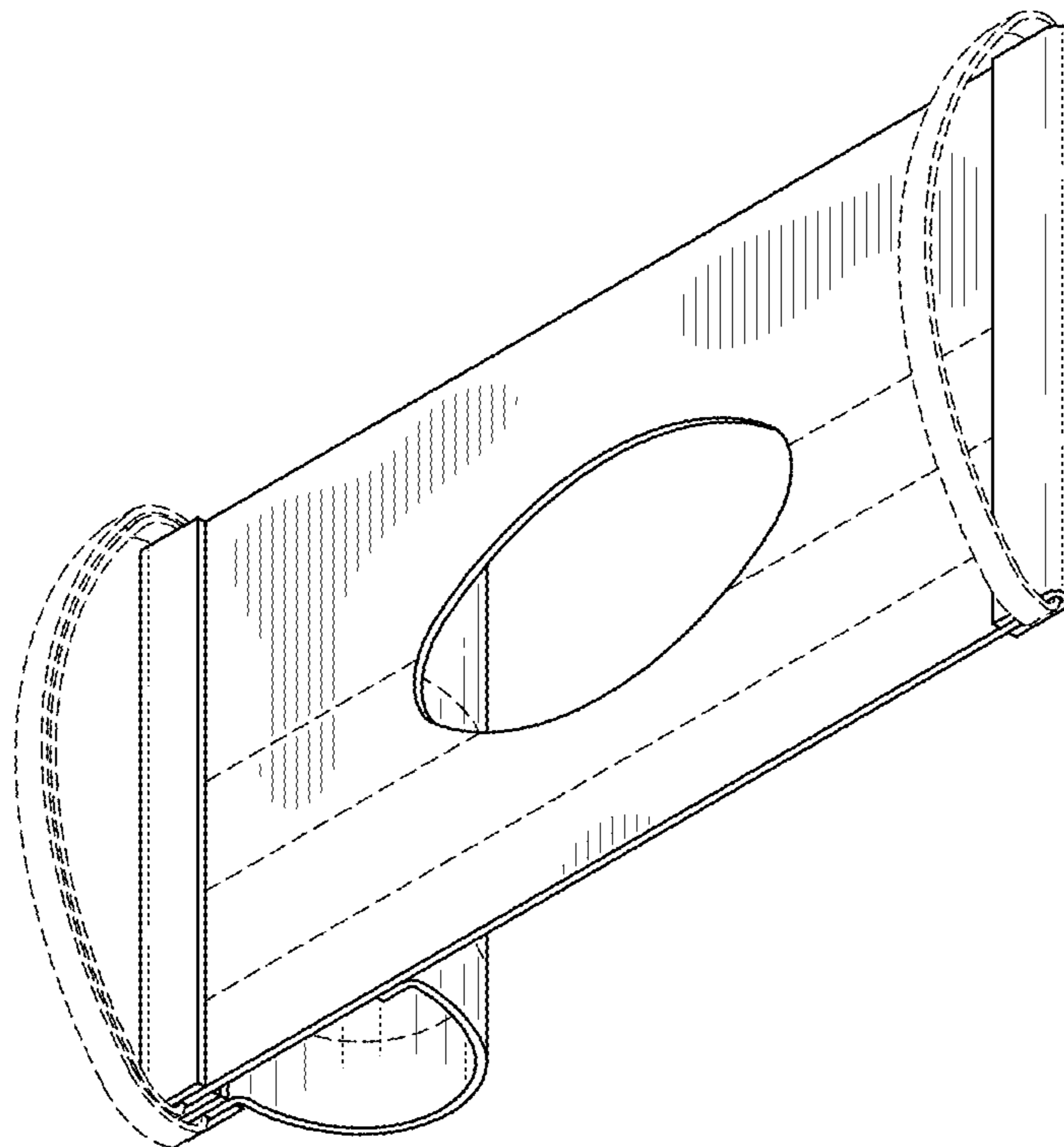


FIG. 2

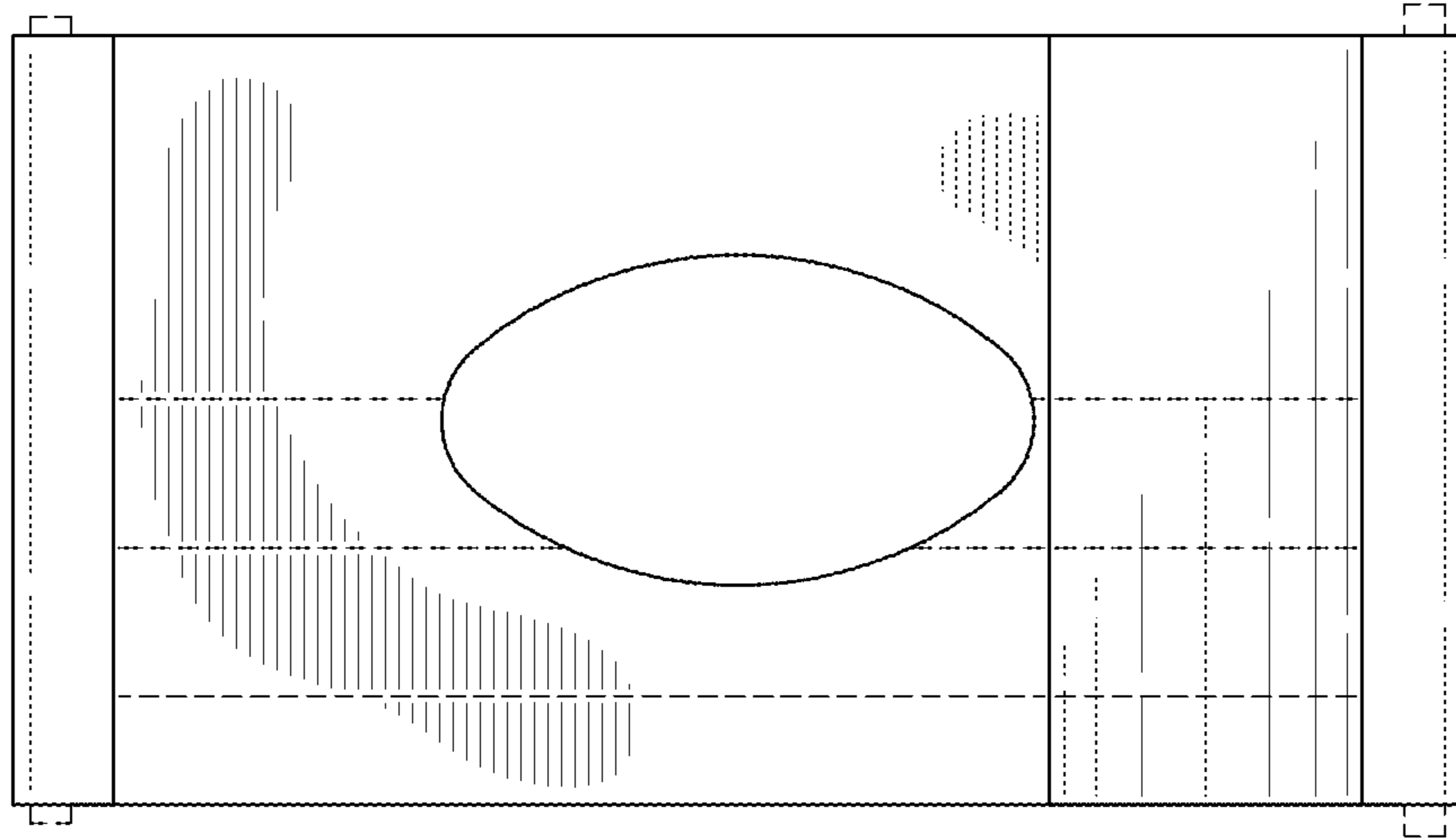


FIG. 3

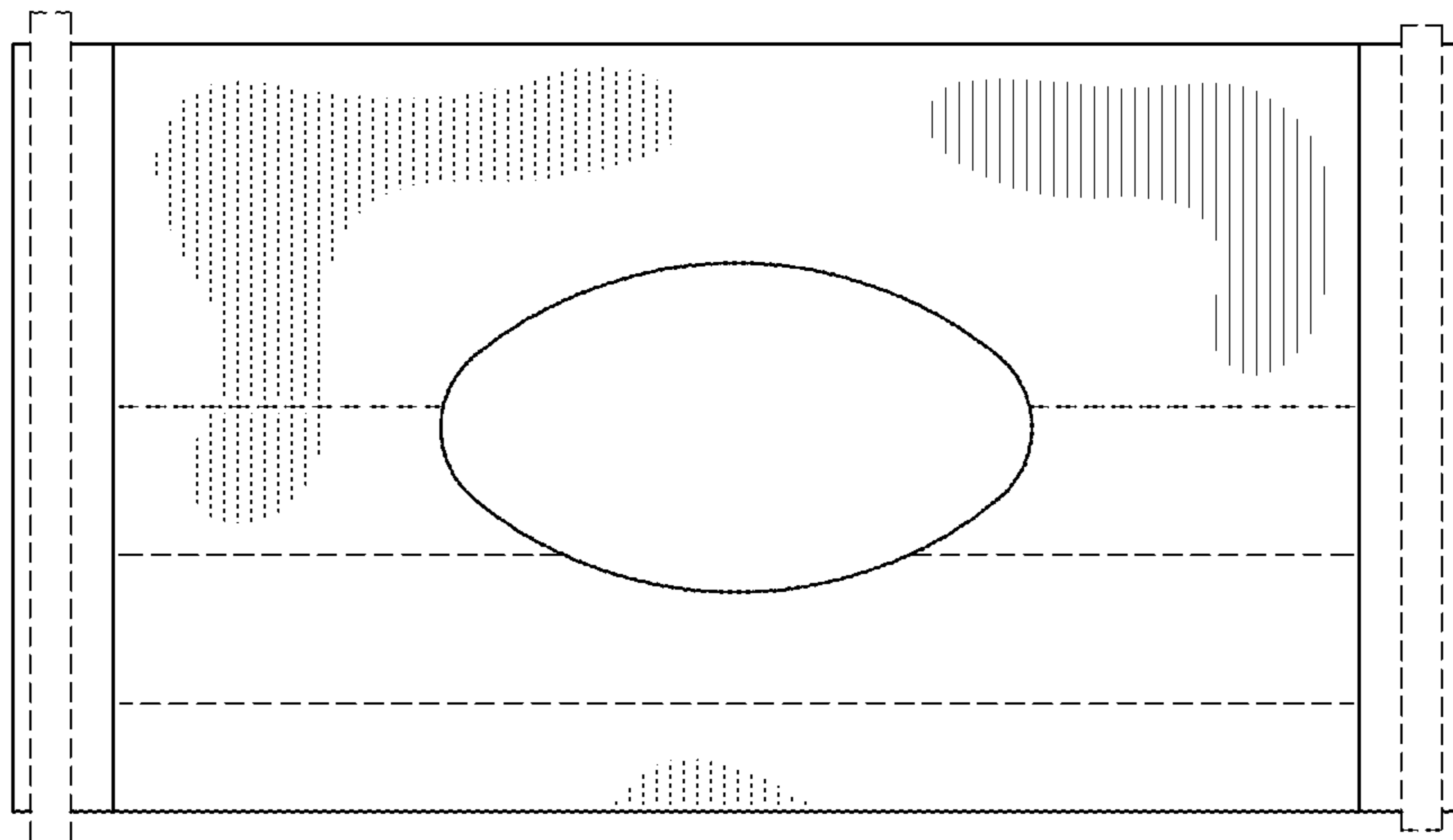


FIG. 4

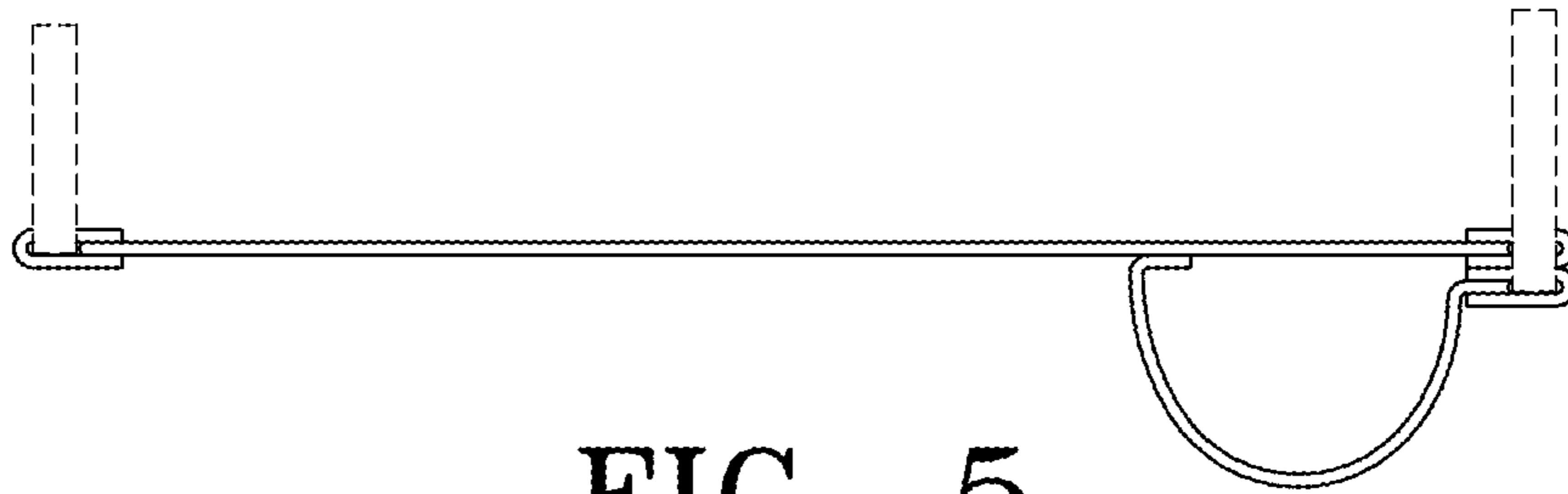


FIG. 5



FIG. 6

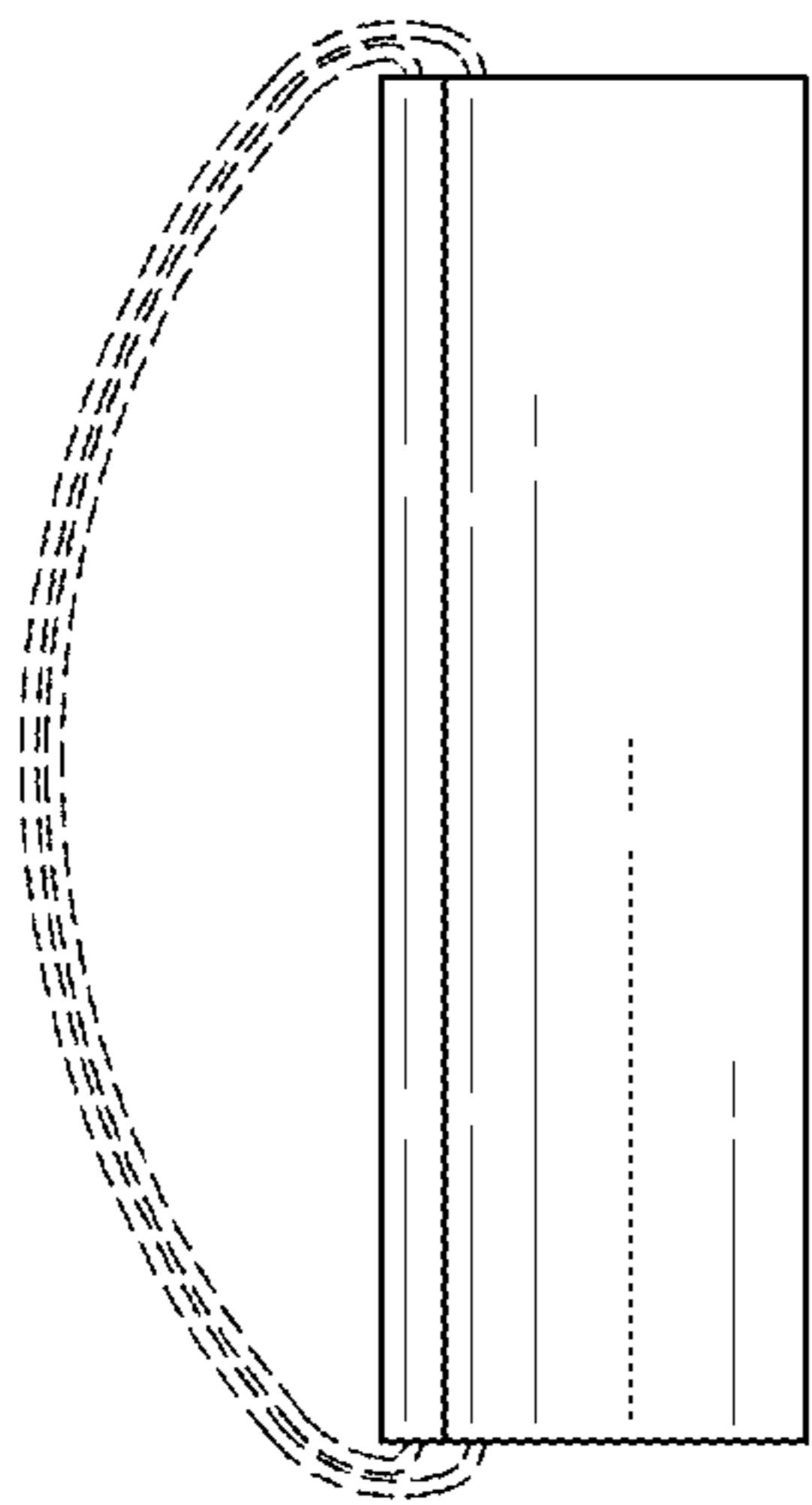


FIG. 7

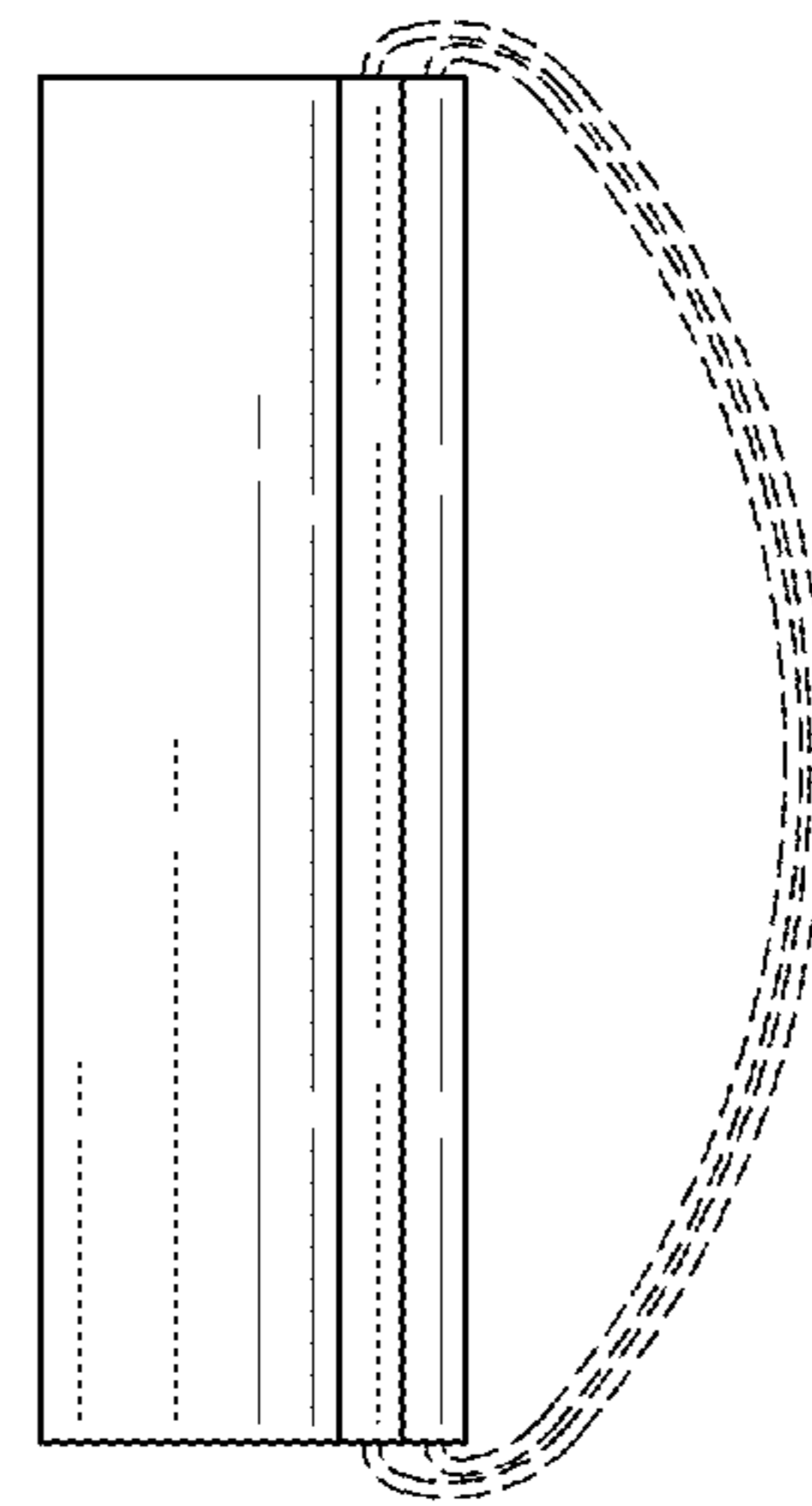


FIG. 8

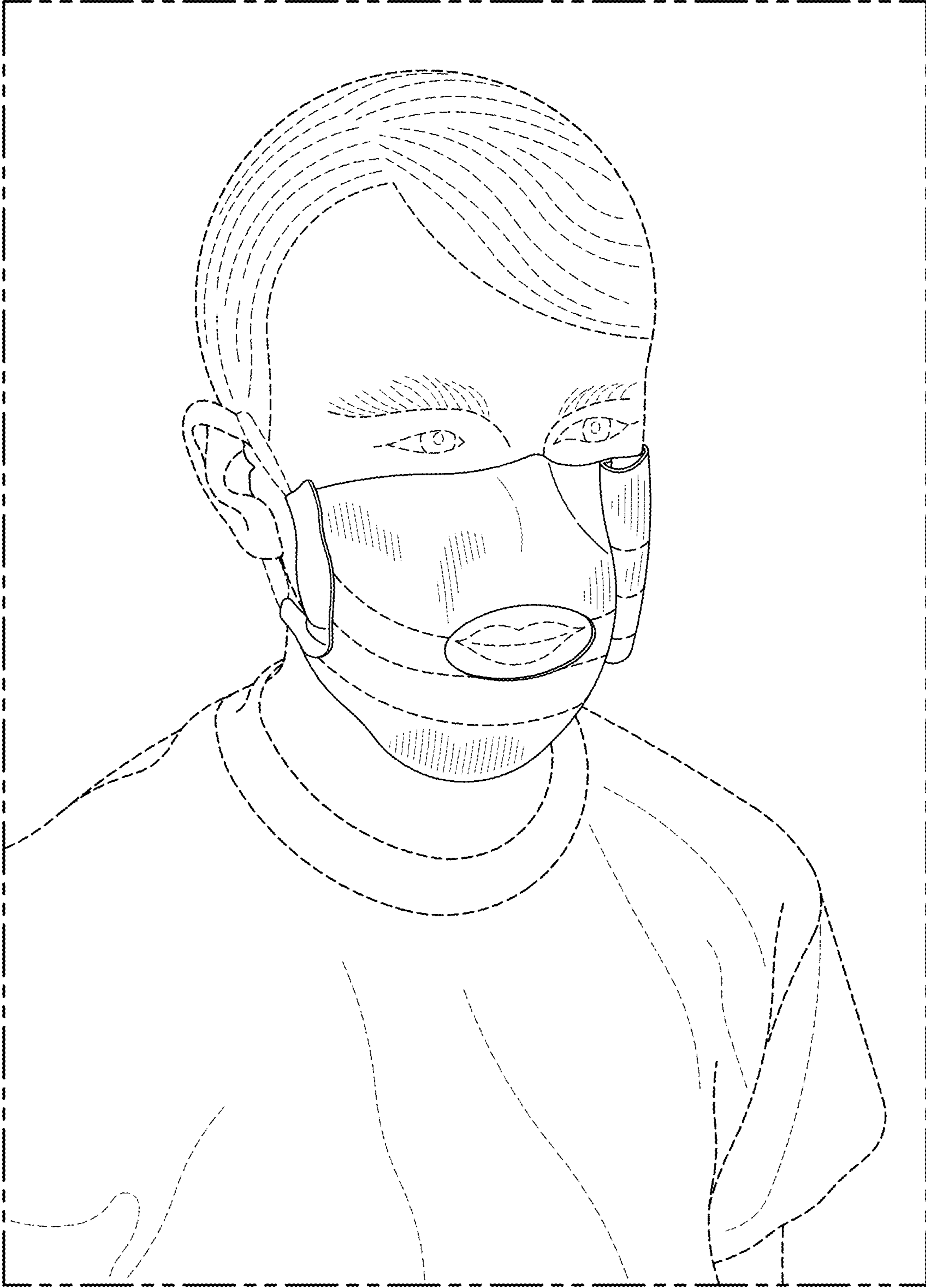


FIG. 9

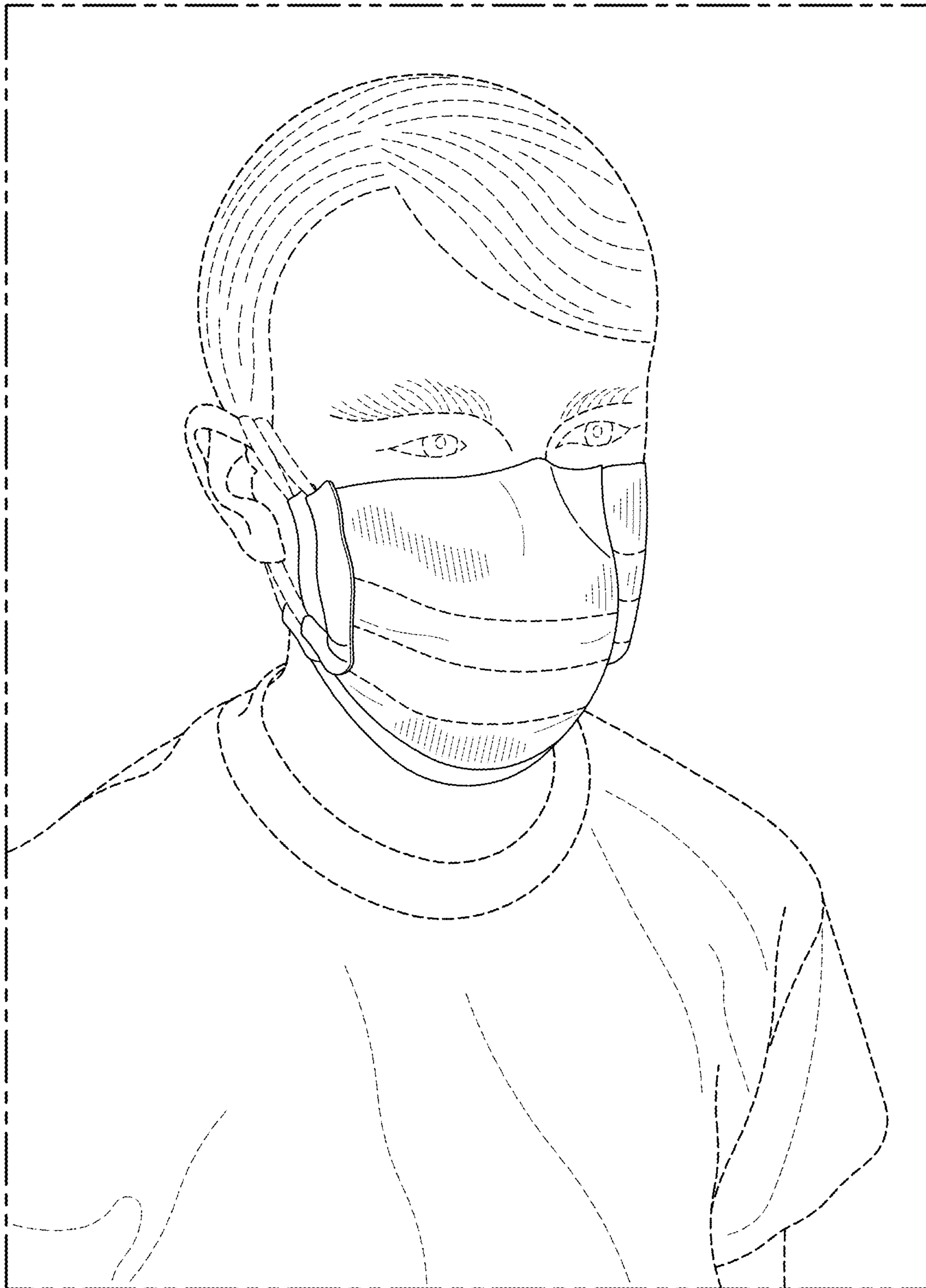


FIG. 10

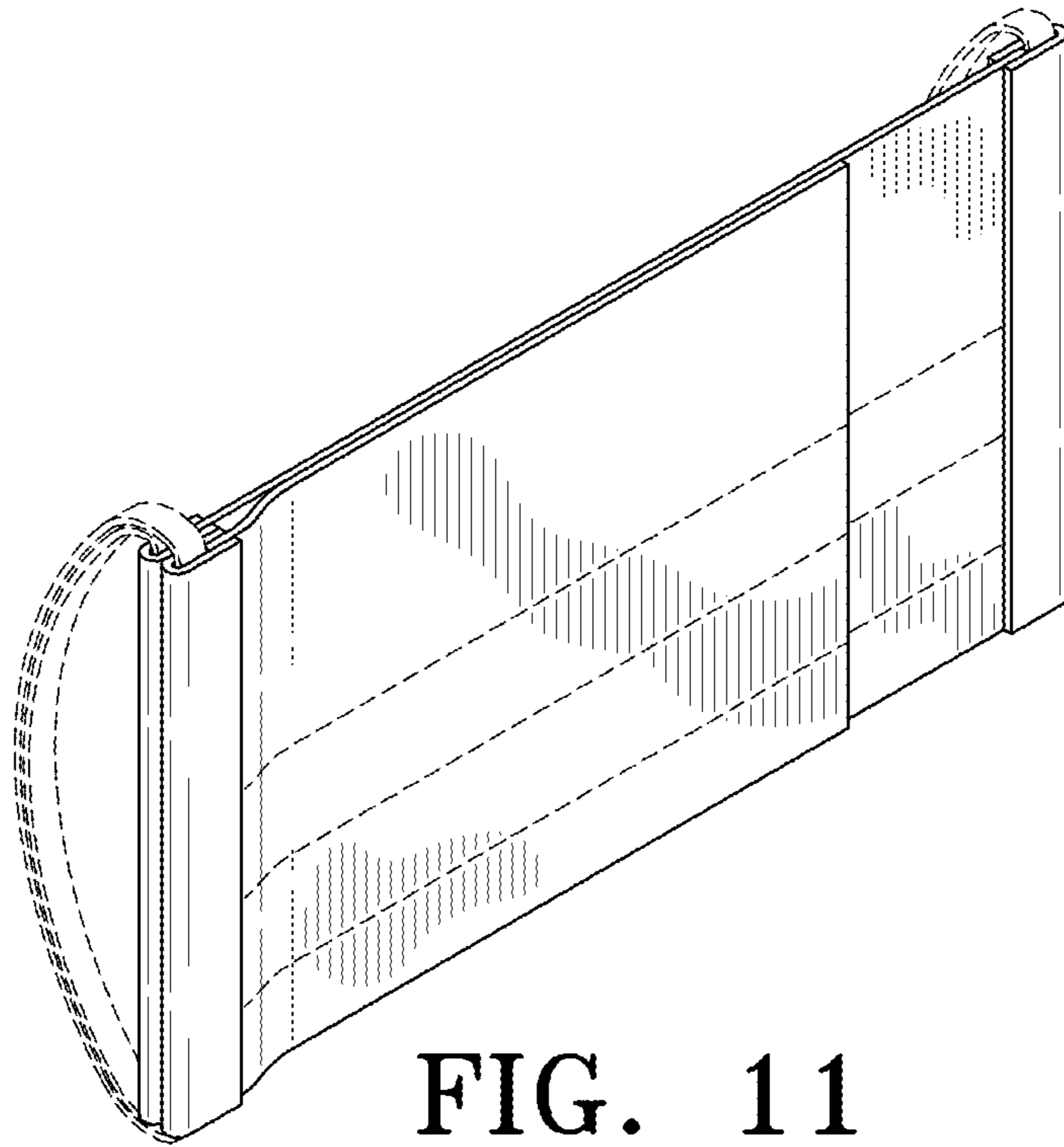


FIG. 11

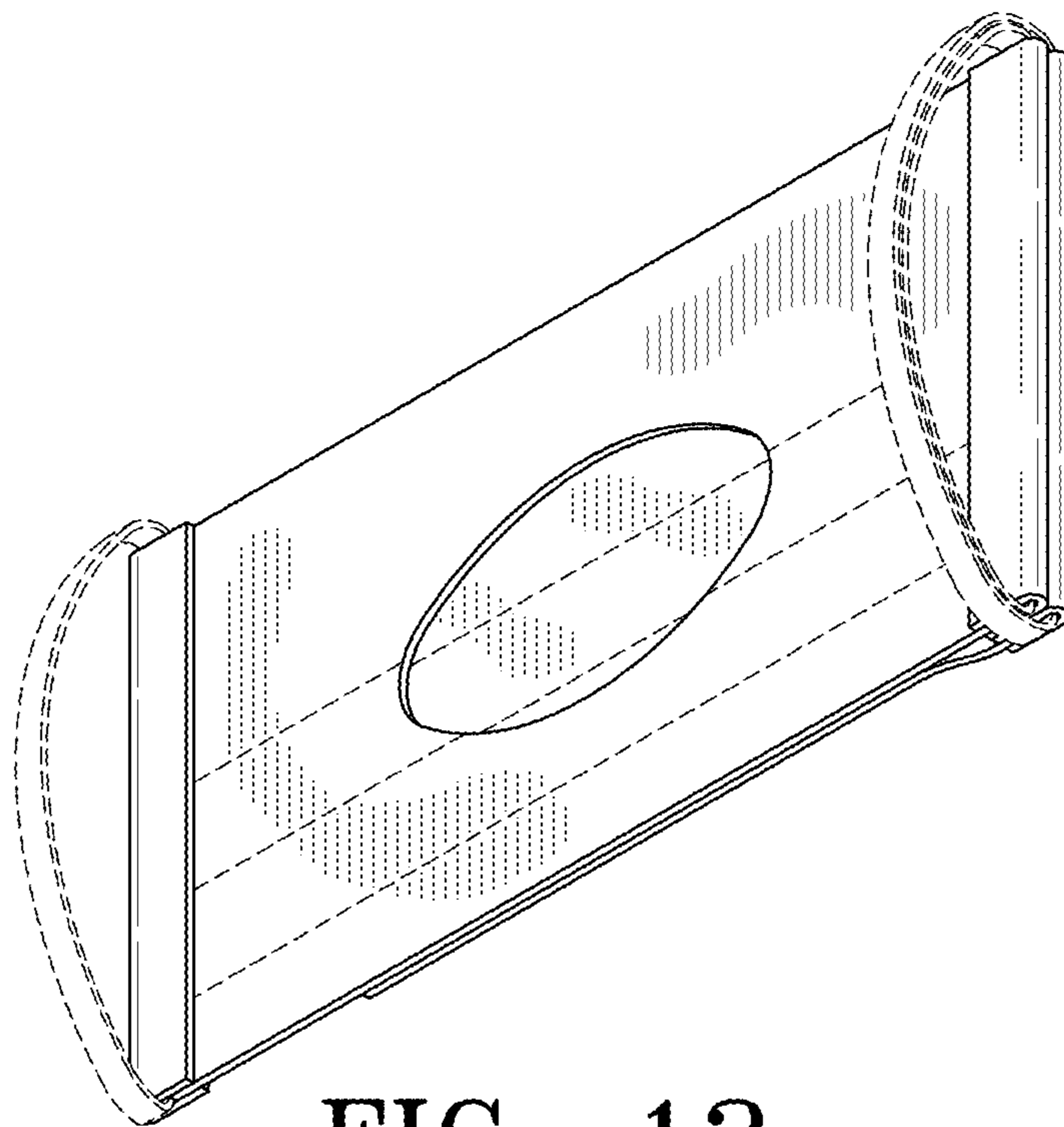


FIG. 12

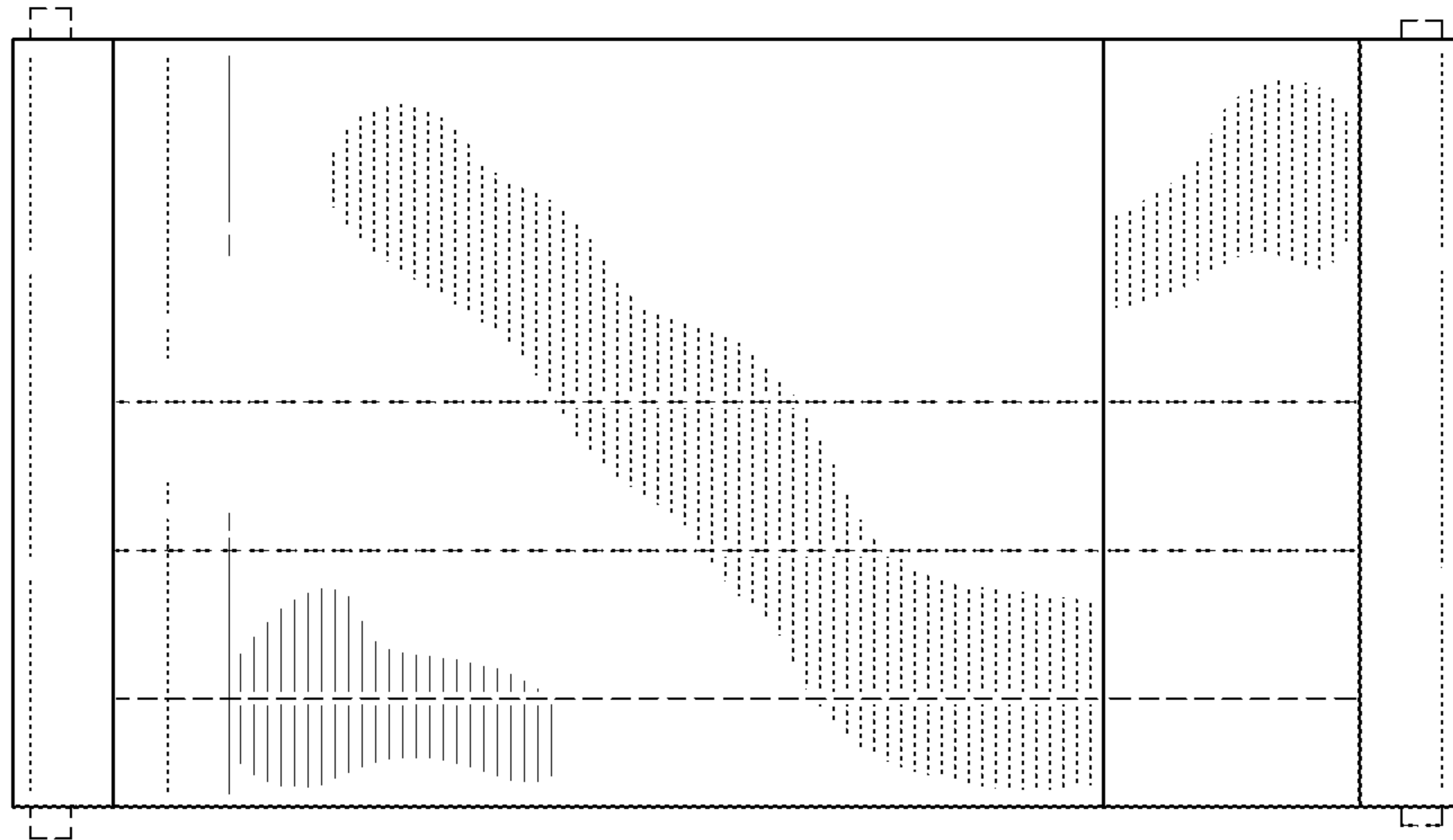


FIG. 13

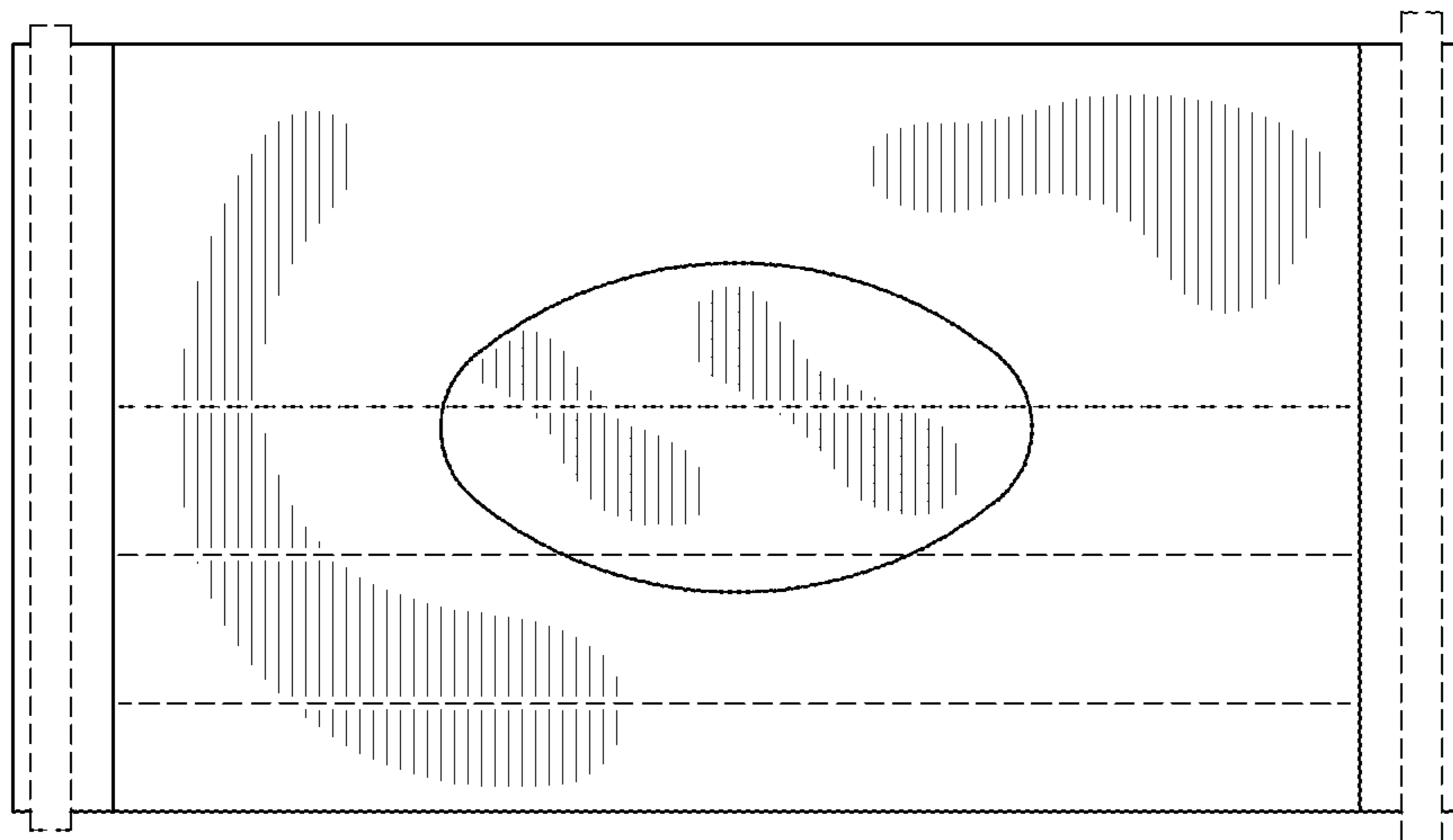


FIG. 14

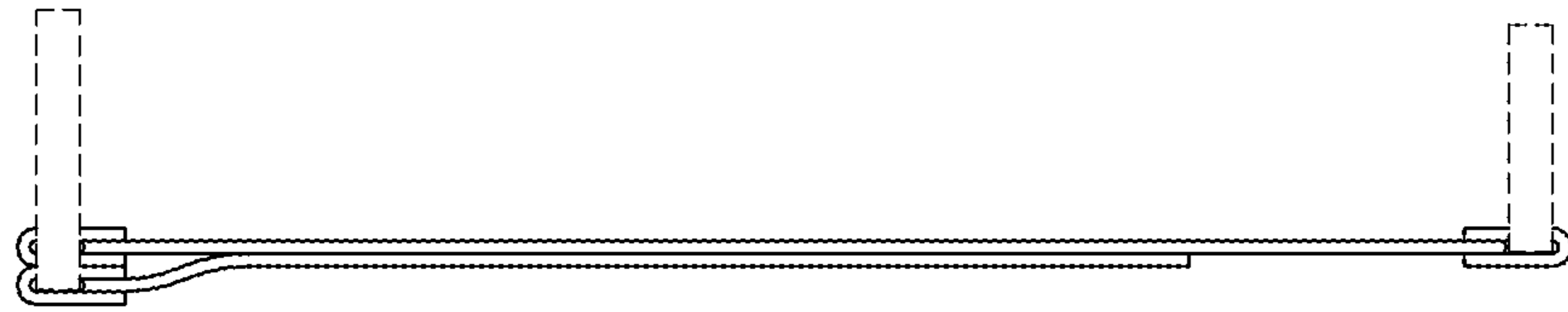


FIG. 15

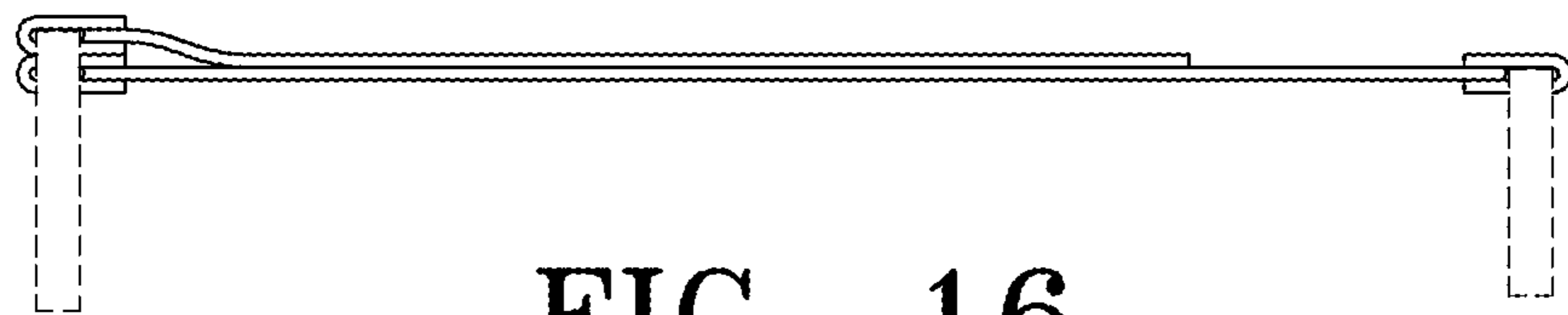


FIG. 16

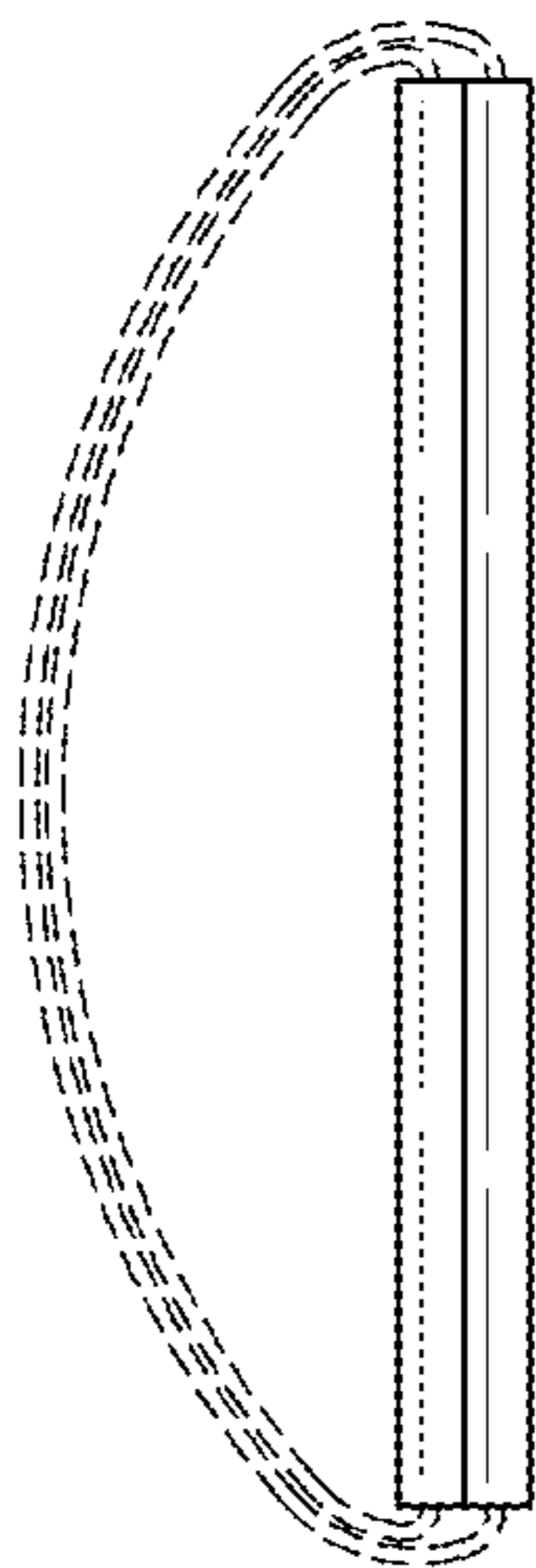


FIG. 17

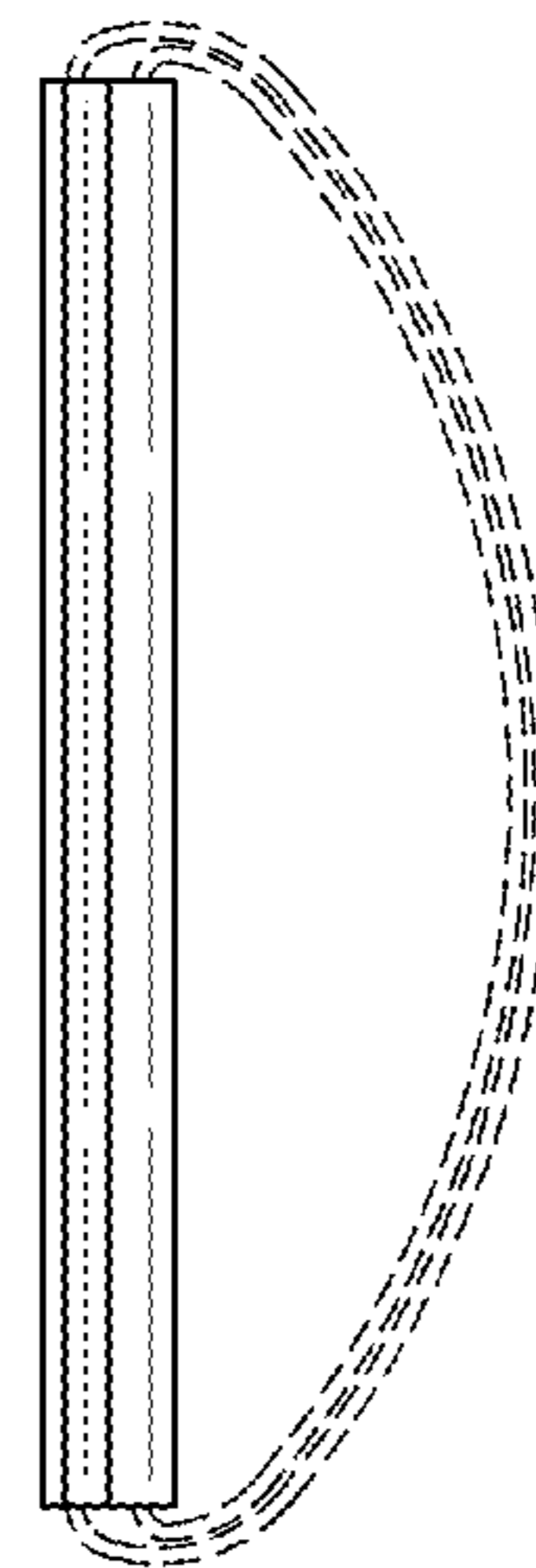


FIG. 18