



US00D939687S

(12) **United States Design Patent** (10) **Patent No.:** **US D939,687 S**  
**Ye** (45) **Date of Patent:** **\*\* Dec. 28, 2021**

- (54) **EARPLUG**
- (71) Applicant: **SHENZHEN AIPU WEIER ELECTRONIC CO., LTD.**, Shenzhen (CN)
- (72) Inventor: **Ting Ye**, Shenzhen (CN)
- (73) Assignee: **SHENZHEN AIPU WEIER ELECTRONIC CO., LTD.**, Shenzhen (CN)
- (\*\*) Term: **15 Years**
- (21) Appl. No.: **29/757,456**
- (22) Filed: **Nov. 5, 2020**
- (51) **LOC (13) Cl.** ..... **24-04**
- (52) **U.S. Cl.**  
USPC ..... **D24/106**
- (58) **Field of Classification Search**  
USPC ..... D24/106, 173, 174; D14/223  
CPC ..... A61F 11/08; A61F 11/12; A61F 2011/085  
See application file for complete search history.

- D560,792 S \* 1/2008 Miller ..... A61F 11/08 D24/106
- D592,300 S 5/2009 Yeh
- D624,999 S 10/2010 Turdjian et al.
- D651,302 S 12/2011 Falco
- D745,135 S 12/2015 Butler
- D773,032 S 11/2016 Palmborg et al.
- D892,302 S \* 8/2020 Gu ..... D24/106

\* cited by examiner

*Primary Examiner* — Richelle G Shelton  
(74) *Attorney, Agent, or Firm* — Law Offices Of Steven W. Weinrieb

(57) **CLAIM**

The ornamental design for an earplug, as shown and described.

**DESCRIPTION**

FIG. 1 is a front, left, top perspective view of an earplug showing my new design;  
FIG. 2 is a front elevational view thereof;  
FIG. 3 is a rear elevational view thereof;  
FIG. 4 is a right side elevational view thereof;  
FIG. 5 is a left side elevational view thereof;  
FIG. 6 is a top plan view thereof;  
FIG. 7 is a bottom plan view thereof; and,  
FIG. 8 is a cross-sectional view thereof, taken along line 8-8 of FIG. 2.

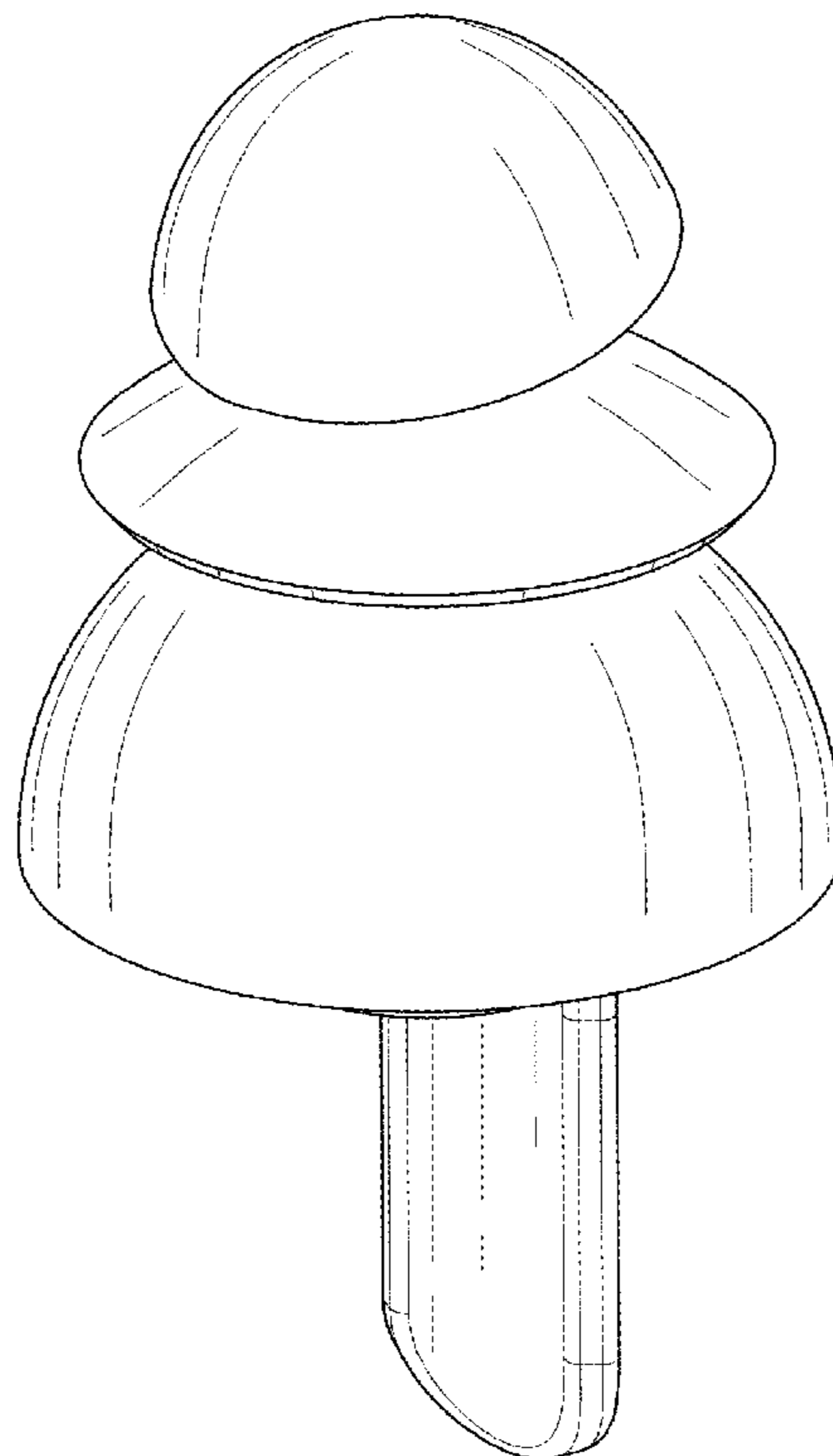
The broken lines shown in FIG. 8 illustrate the plane upon which the cross-section is taken and form no part of the claimed design.

**1 Claim, 8 Drawing Sheets**

(56) **References Cited**

U.S. PATENT DOCUMENTS

- 3,800,791 A \* 4/1974 Visor ..... A61F 11/10 128/864
- 5,467,784 A \* 11/1995 Mobley ..... A61F 11/08 128/864
- D436,164 S 1/2001 Foslien
- D492,766 S 7/2004 Falco
- D559,382 S 1/2008 Sanpei



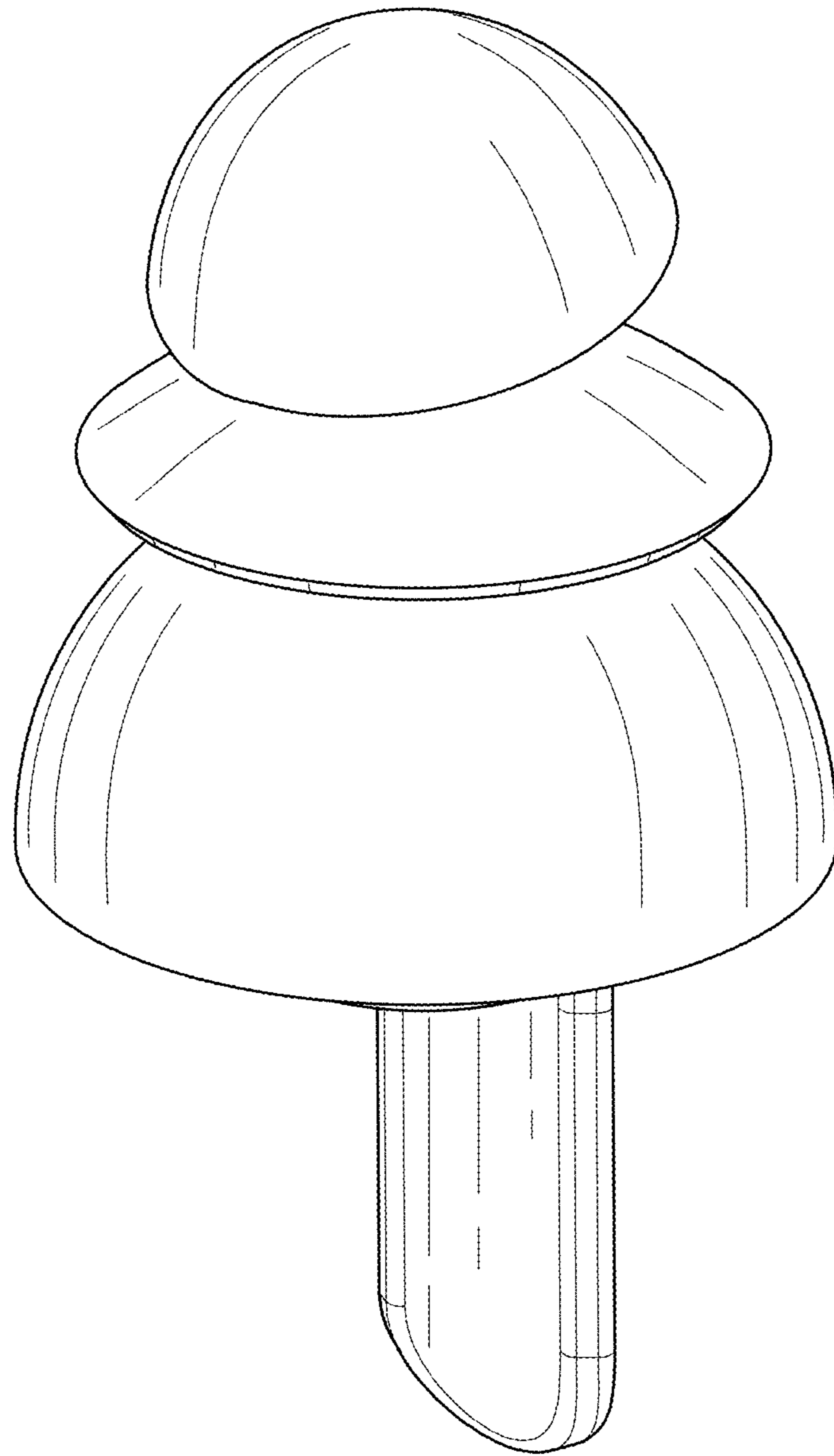


FIG.1

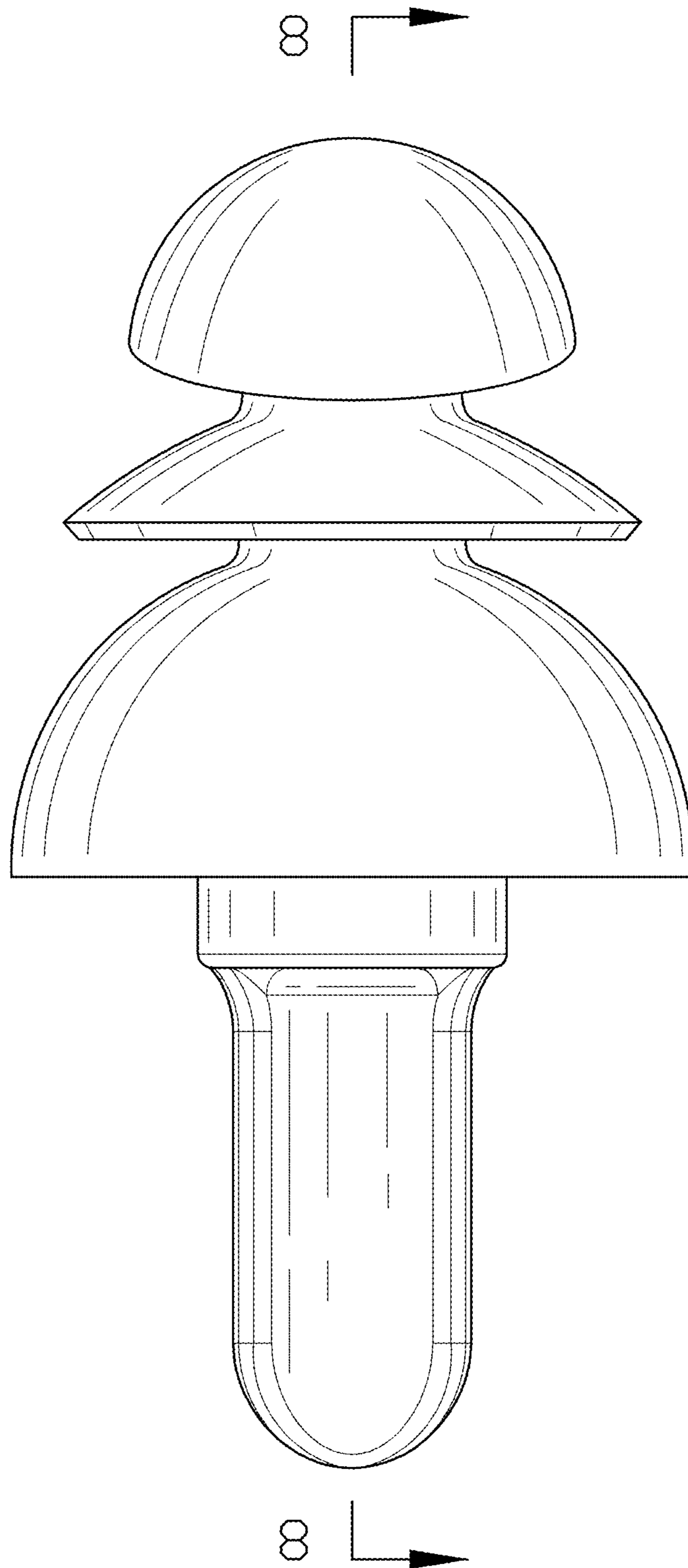


FIG. 2

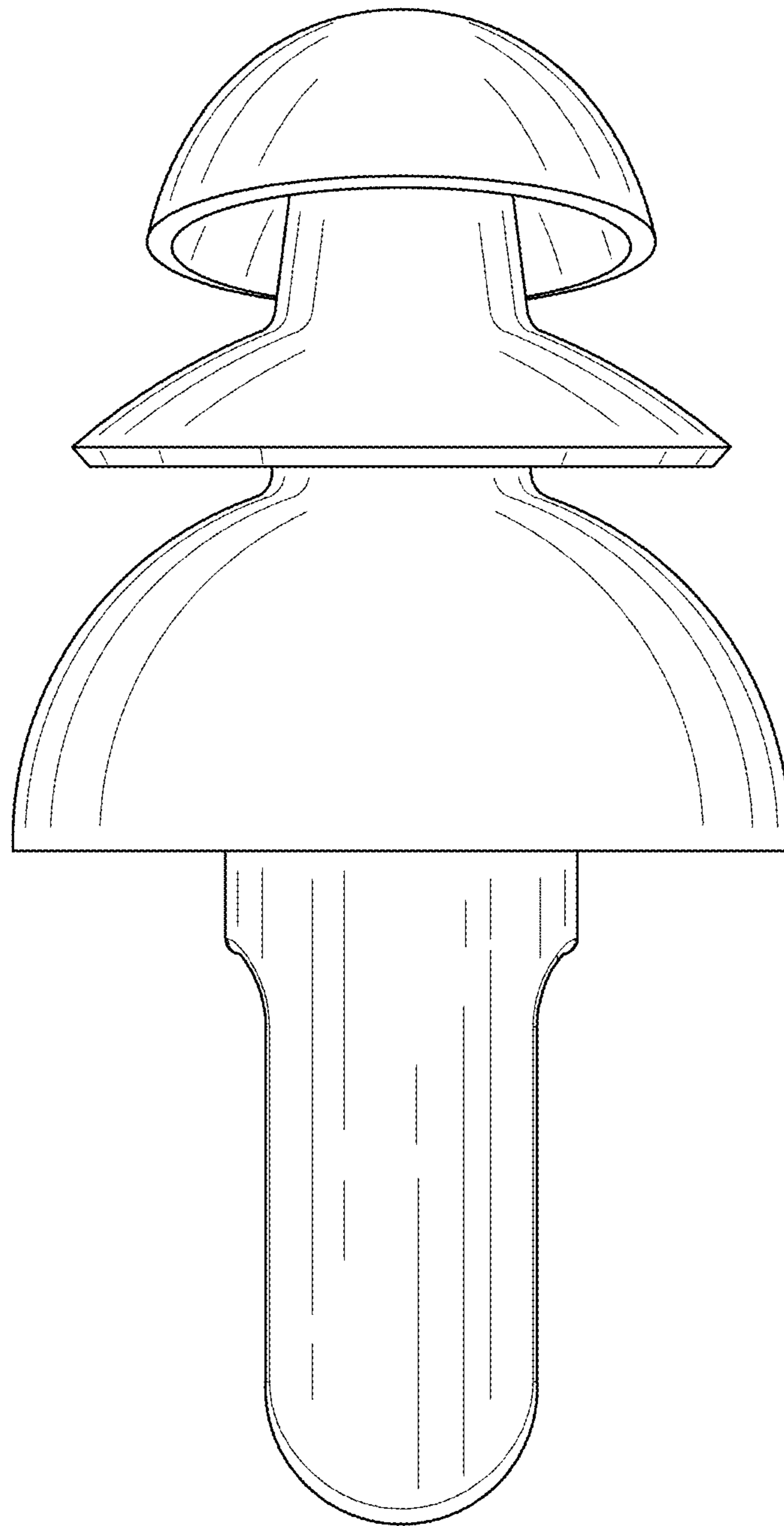


FIG.3

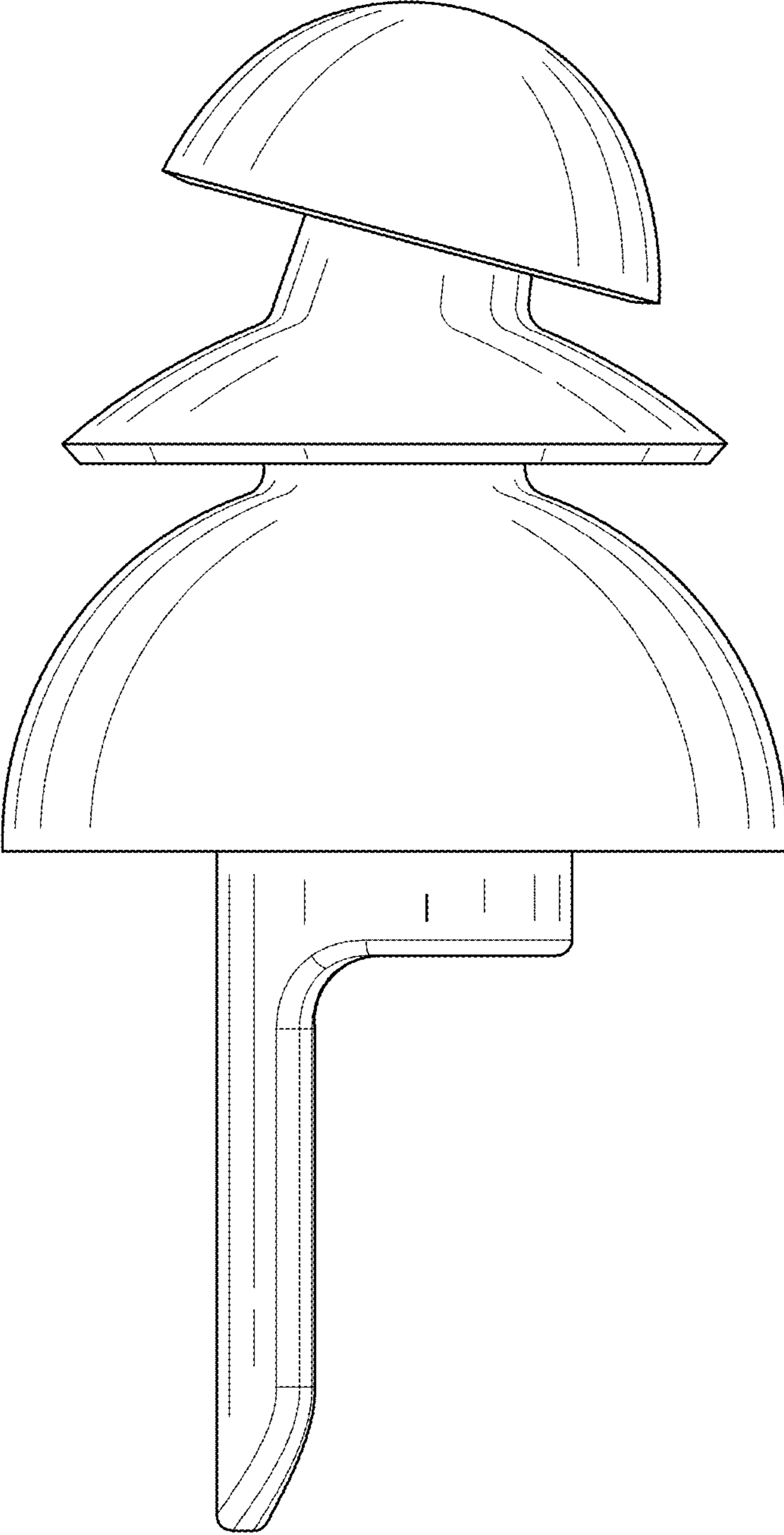


FIG. 4

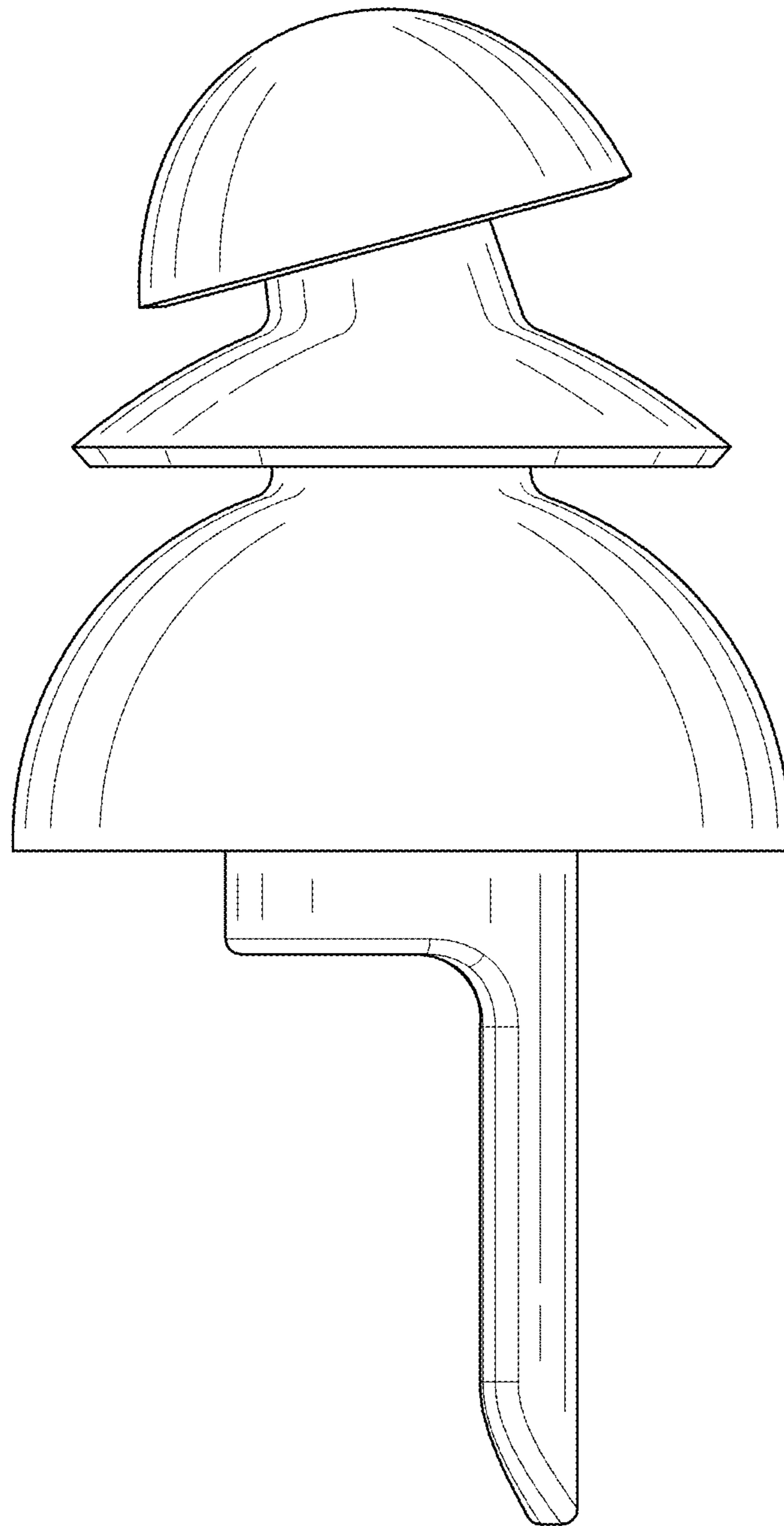


FIG.5

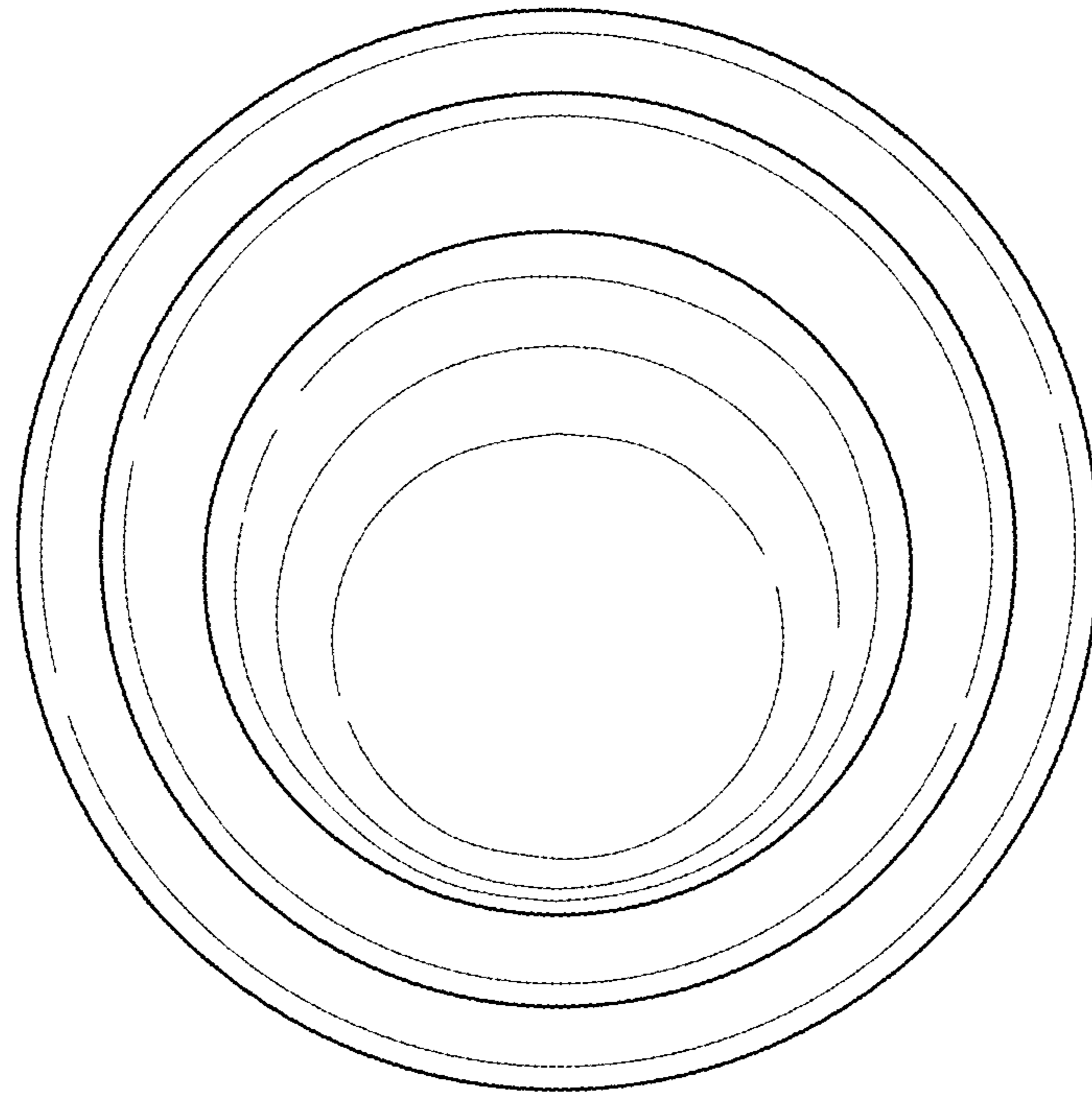


FIG.6



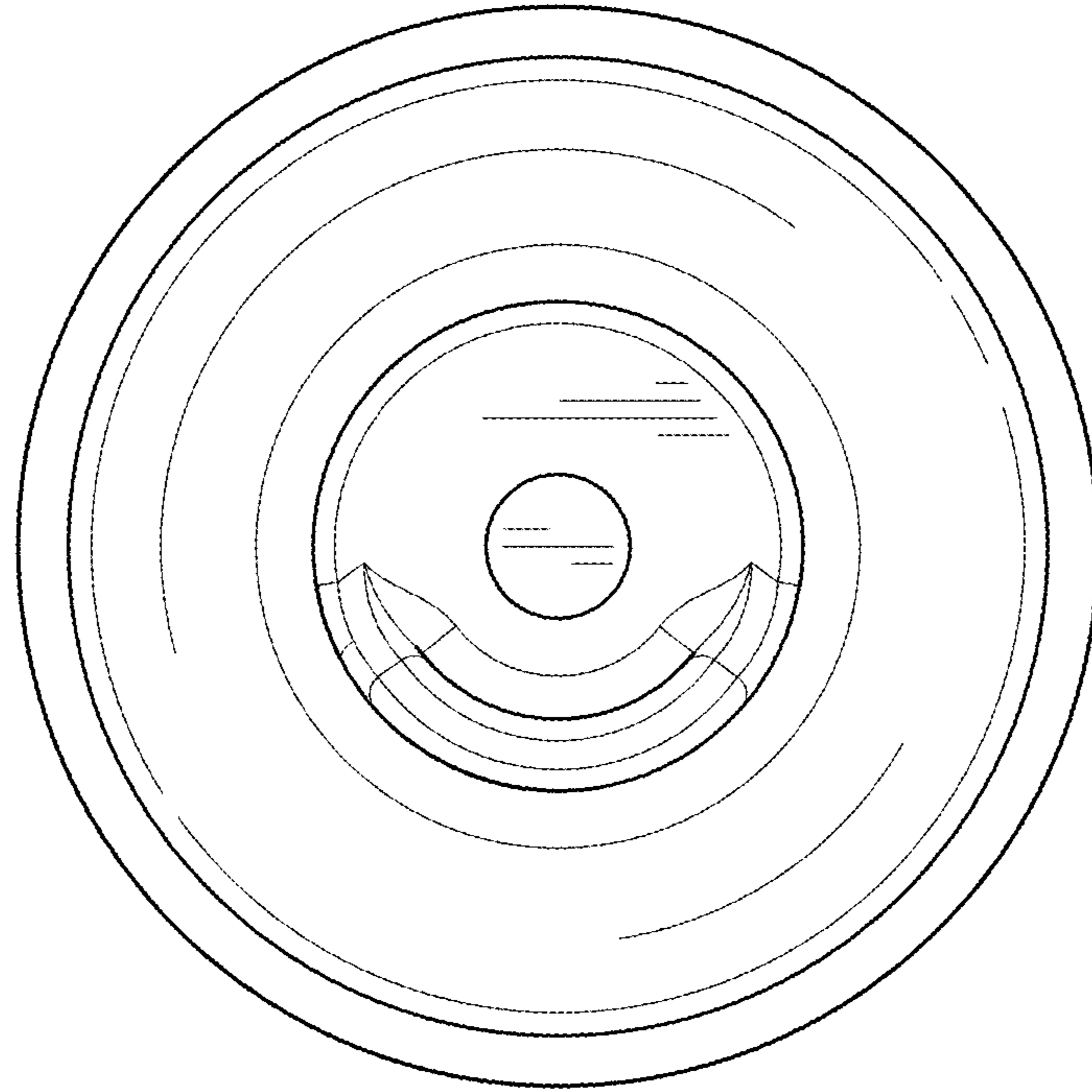


FIG.7



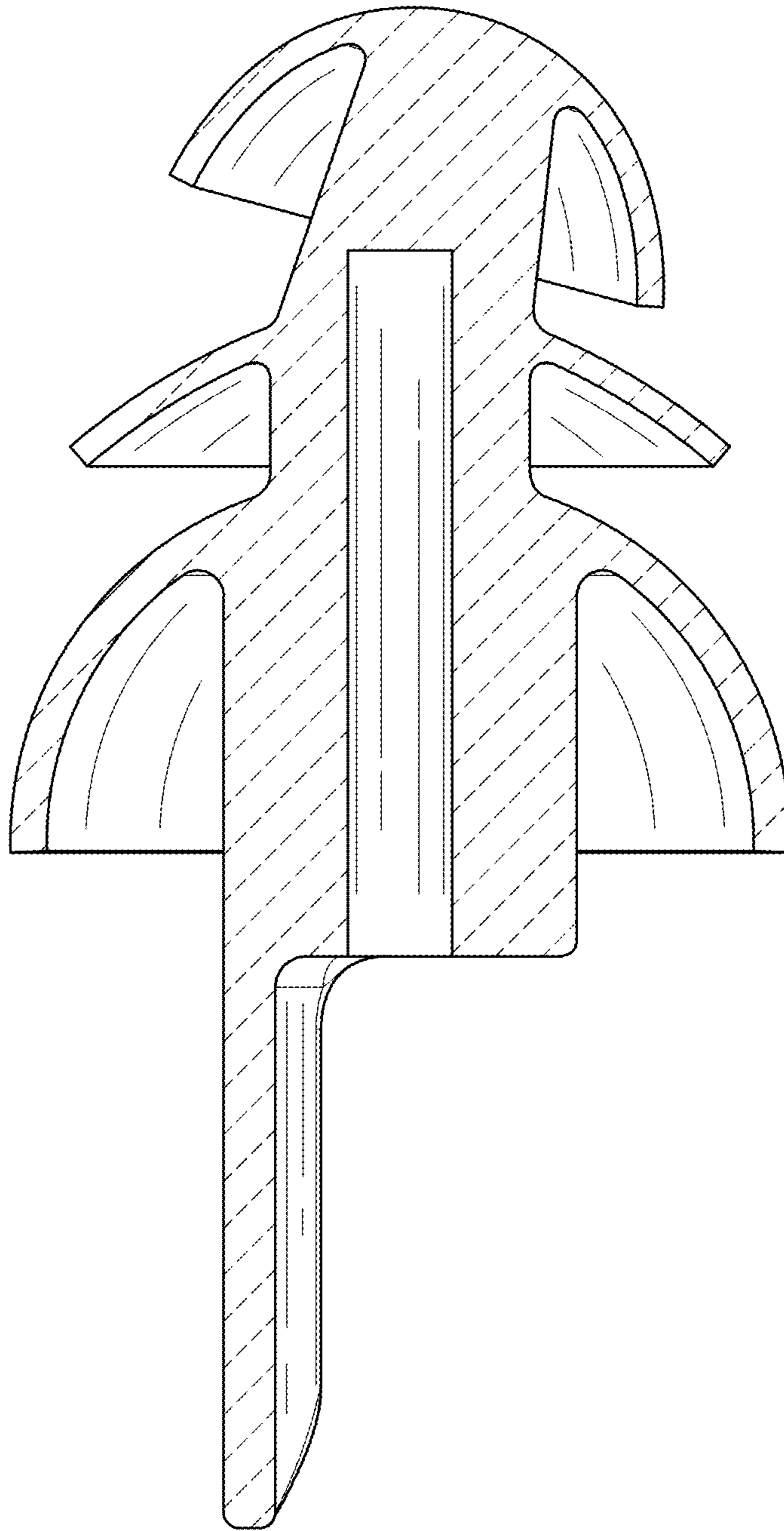


FIG.8