



US00D939686S

(12) **United States Design Patent** (10) **Patent No.:** **US D939,686 S**
Guo (45) **Date of Patent:** **** Dec. 28, 2021**

(54) **SLEEP EARPLUG**
(71) Applicant: **SHENZHEN WEIBEN TECHNOLOGY CO., LTD.**, Shenzhen (CN)
(72) Inventor: **Jianzhong Guo**, Shenzhen (CN)
(73) Assignee: **SHENZHEN WEIBEN TECHNOLOGY CO., LTD.**, Shenzhen (CN)

D651,302 S 12/2011 Falco
D745,135 S 12/2015 Butler
D773,032 S 11/2016 Palmborg et al.
D866,532 S * 11/2019 Zhang D14/223
D897,522 S * 9/2020 O D24/106
D926,162 S * 7/2021 Dang D14/223
D926,163 S * 7/2021 Williamson D14/223
2012/0064845 A1* 3/2012 Smith H04R 1/105
455/90.2
2016/0073192 A1* 3/2016 Briggs H04R 1/105
381/380

(**) Term: **15 Years**

* cited by examiner

Primary Examiner — Richelle G Shelton

(21) Appl. No.: **29/752,413**

(74) Attorney, Agent, or Firm — Law Offices of Steven W. Weinrieb

(22) Filed: **Sep. 27, 2020**

(51) **LOC (13) Cl.** **24-04**

(57) **CLAIM**

(52) **U.S. Cl.**

USPC **D24/106**

The ornamental design for a sleep earplug, as shown and described.

(58) **Field of Classification Search**

USPC D24/106, 173, 174; D14/223; D29/112

CPC A61F 11/08; A61F 11/12; A61F 2011/085;

H04R 1/1016

See application file for complete search history.

DESCRIPTION

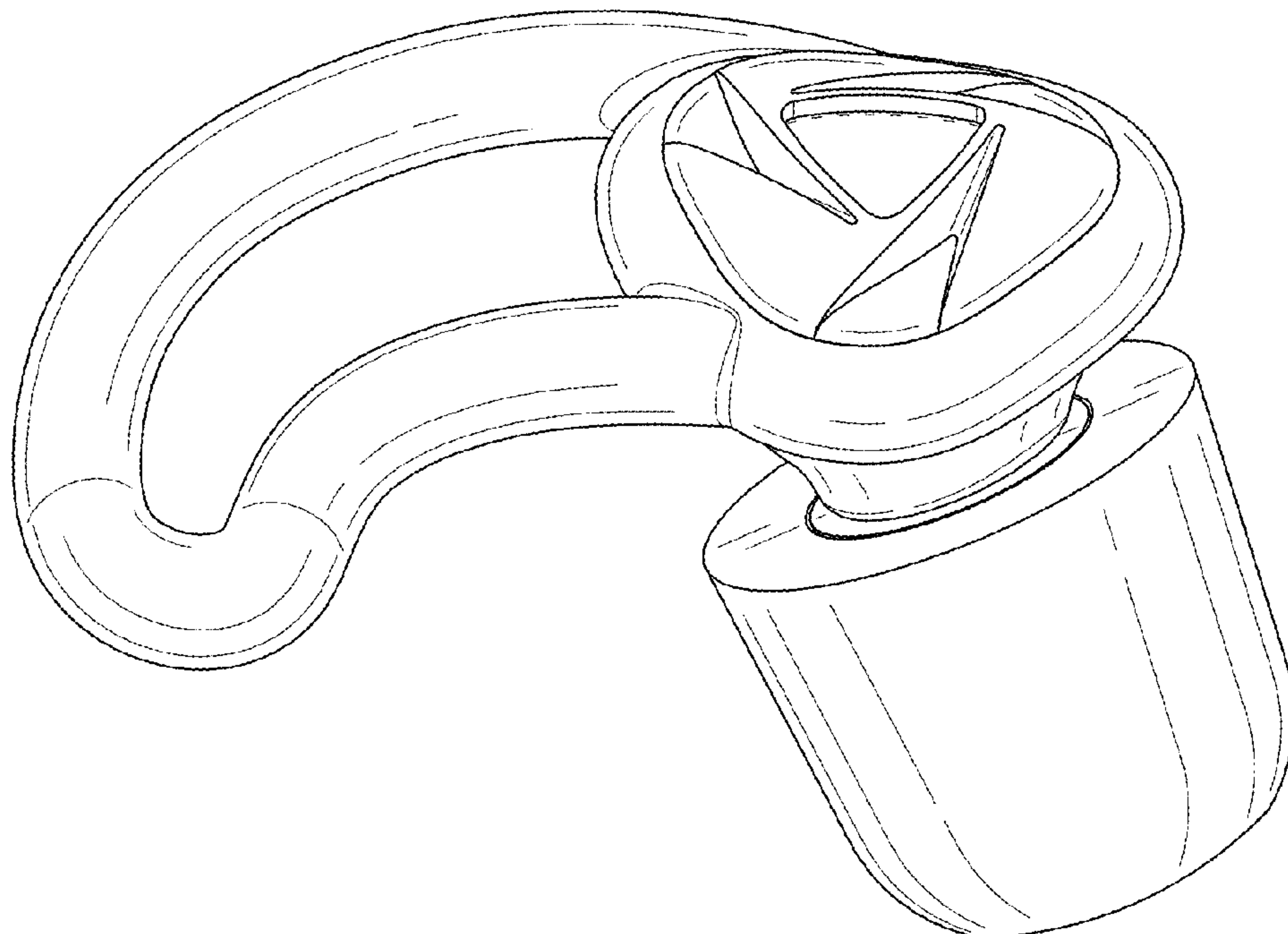
(56) **References Cited**

U.S. PATENT DOCUMENTS

D436,164 S 1/2001 Foslien
D492,766 S 7/2004 Falco
D549,222 S 8/2007 Huang
D559,382 S 1/2008 Sanpei
D592,300 S 5/2009 Yeh
D618,333 S 6/2010 Turdjian
D624,999 S 10/2010 Turdjian et al.
D645,458 S * 9/2011 Silvestri H04R 1/10
D14/223

FIG. 1 is a front, left side, top perspective view of a sleep earplug showing my new design;
FIG. 2 is a front elevational view thereof;
FIG. 3 is a rear elevational view thereof;
FIG. 4 is a left side elevational view thereof;
FIG. 5 is a right side elevational view thereof;
FIG. 6 is a top plan view thereof; and,
FIG. 7 is a bottom plan view thereof.
The broken lines depict portions of the sleep earplug that form no part of the claimed design.

1 Claim, 7 Drawing Sheets



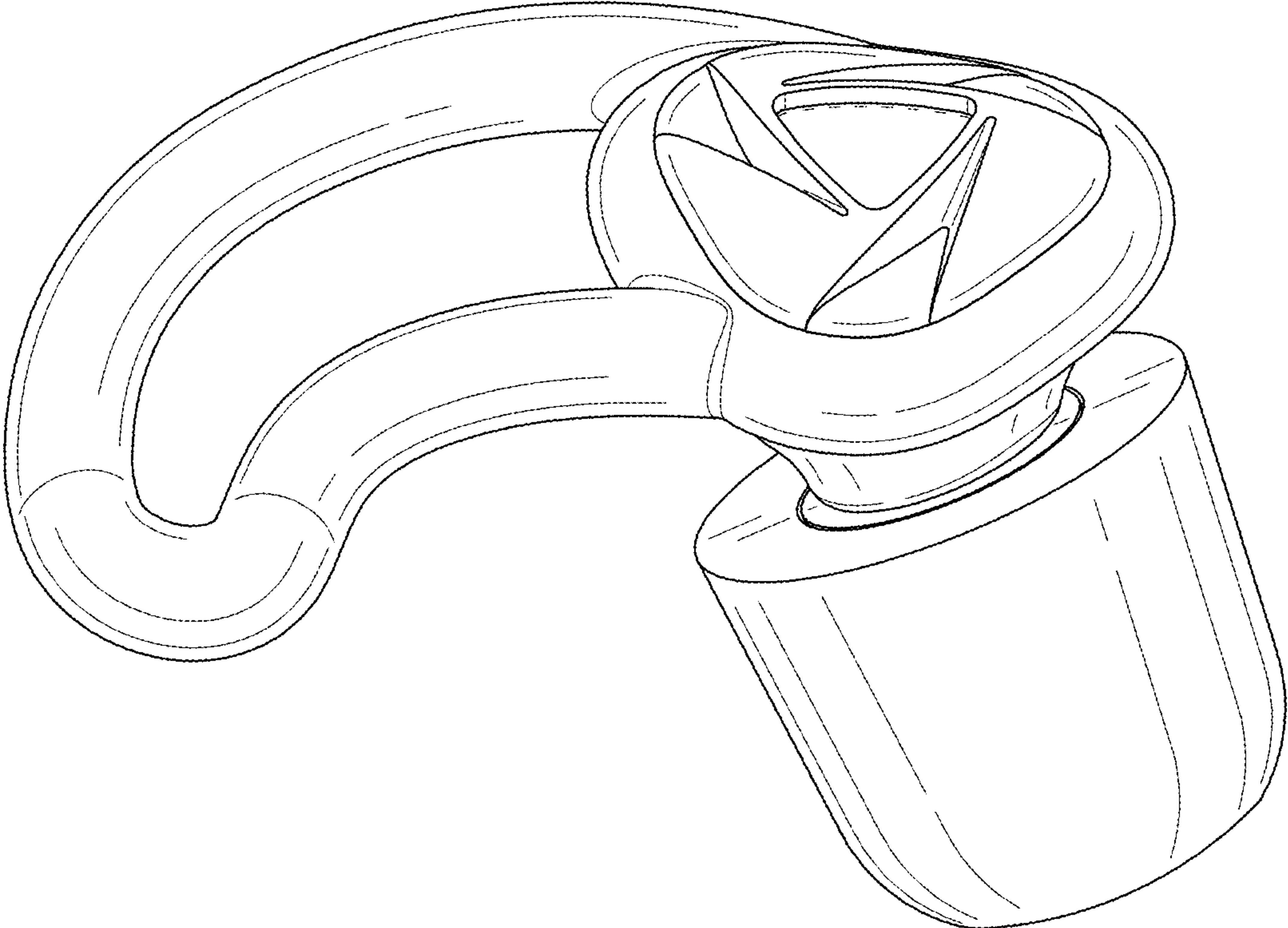


FIG.1

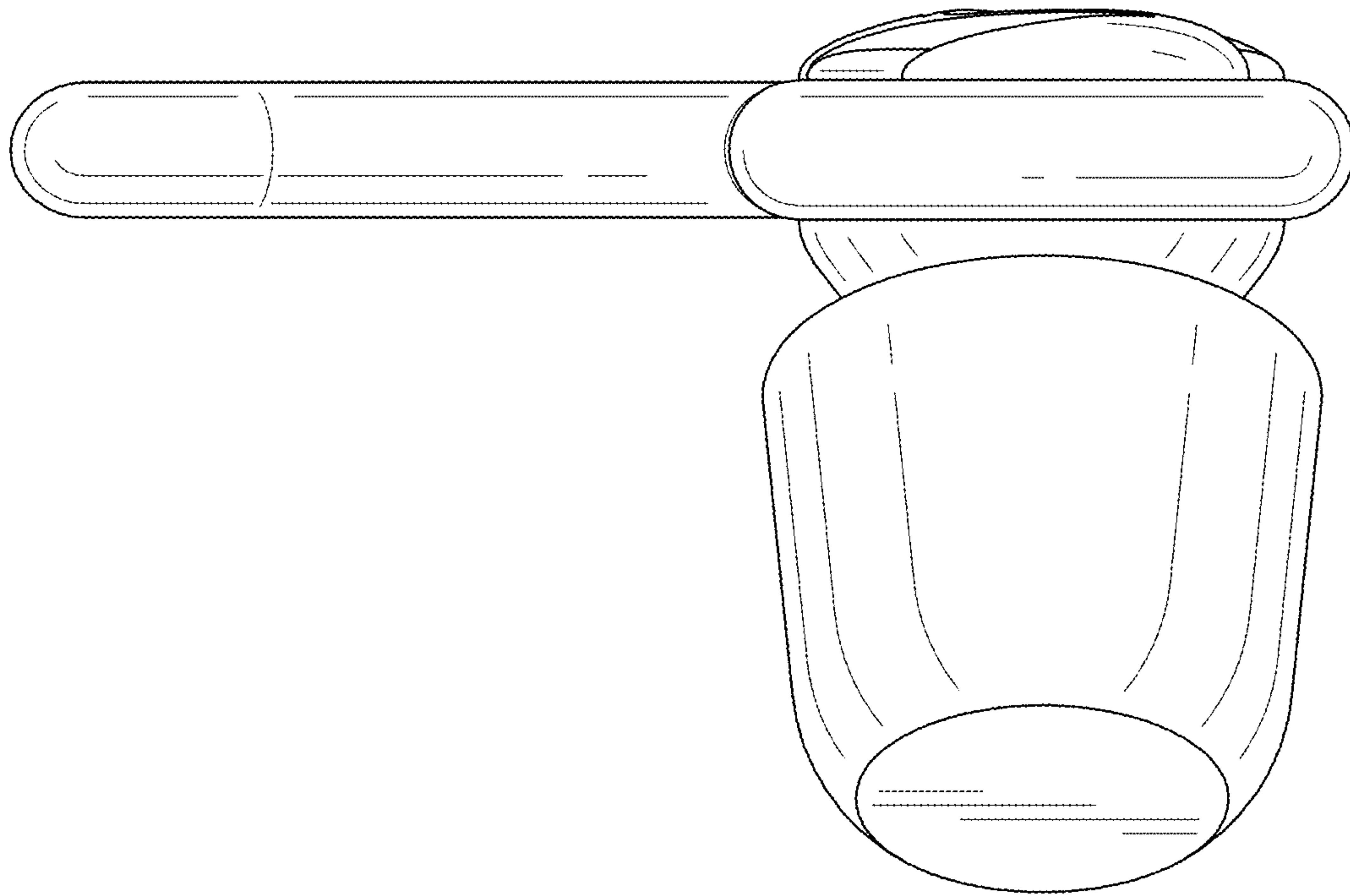


FIG. 2

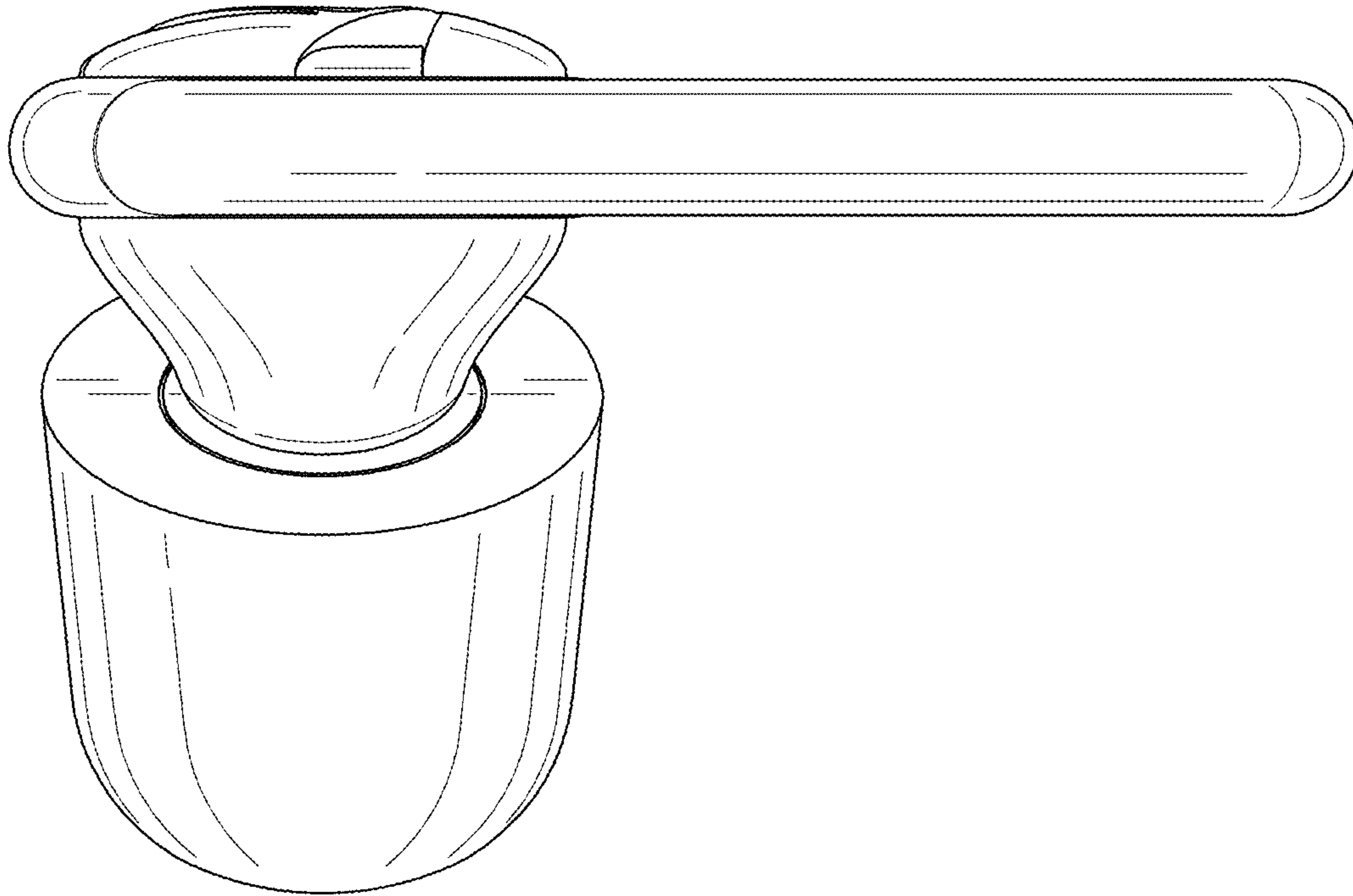


FIG.3

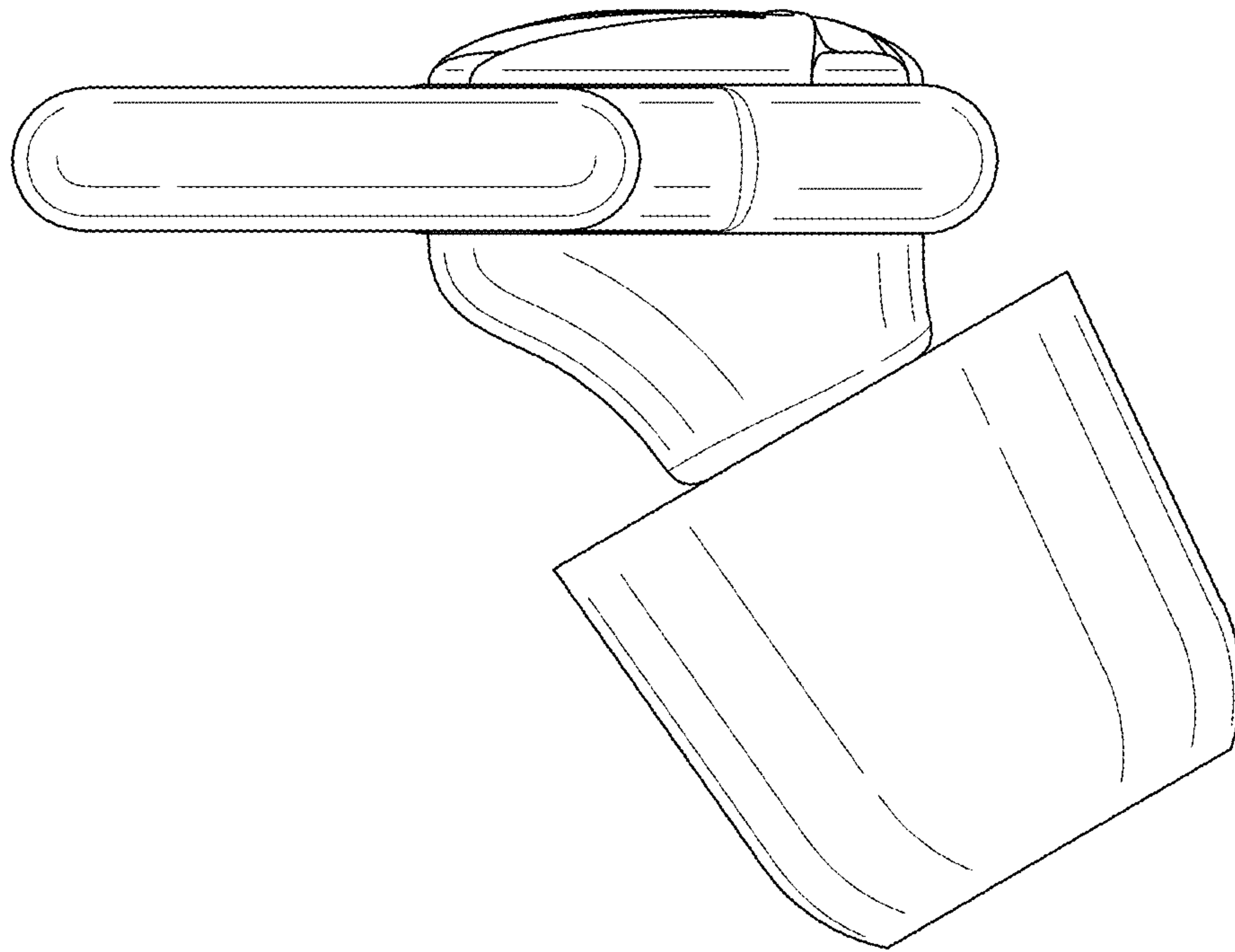


FIG.4

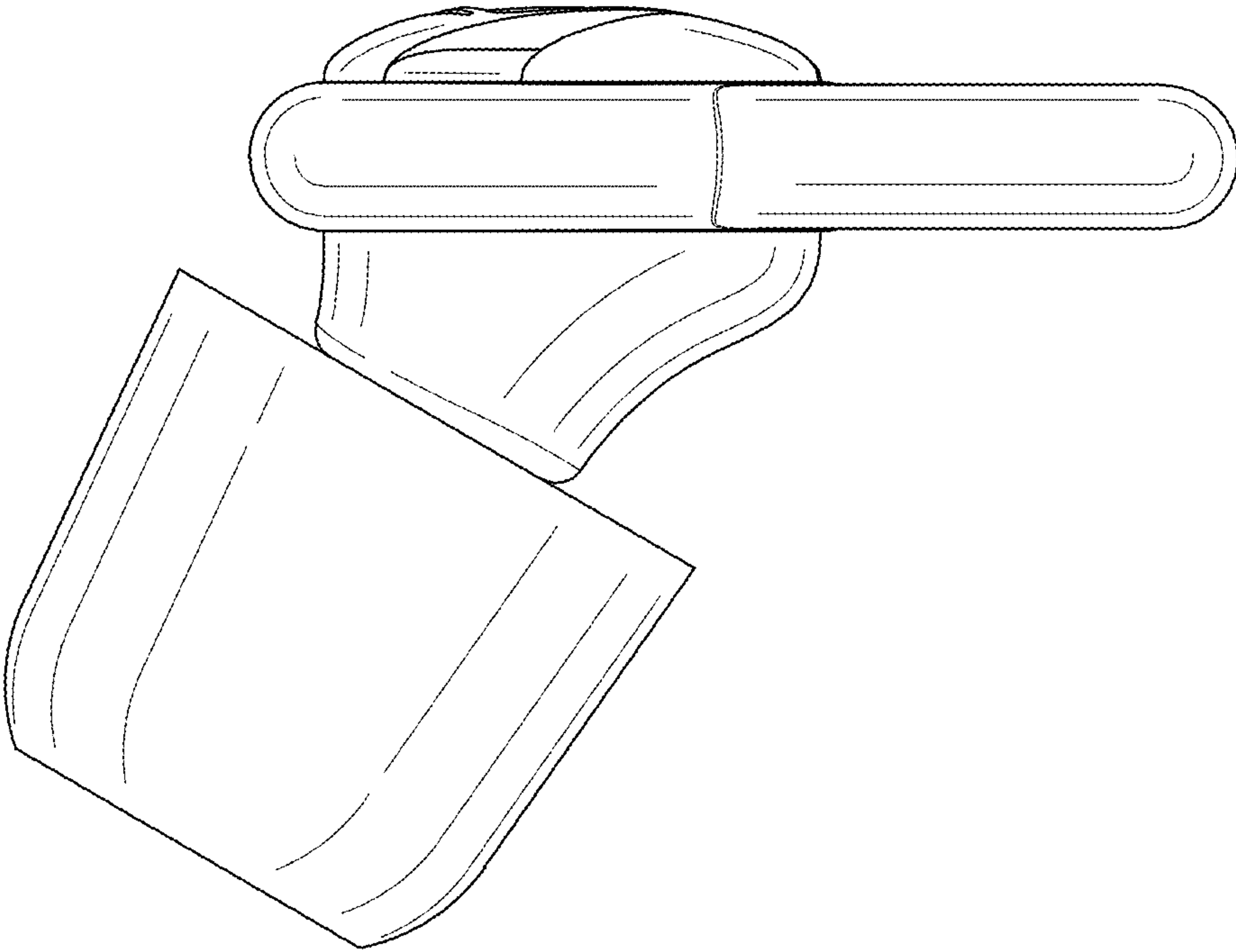


FIG.5

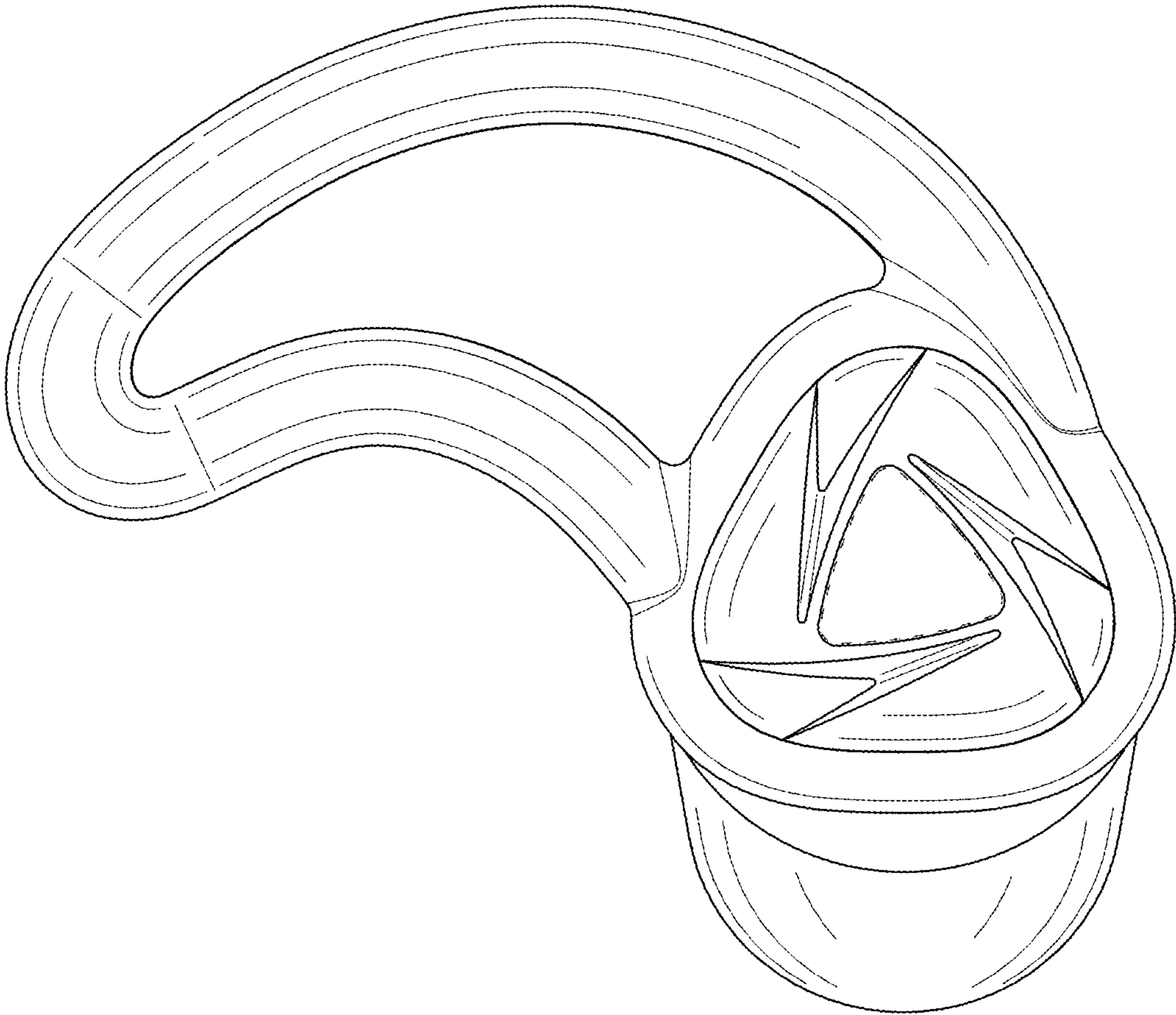


FIG.6

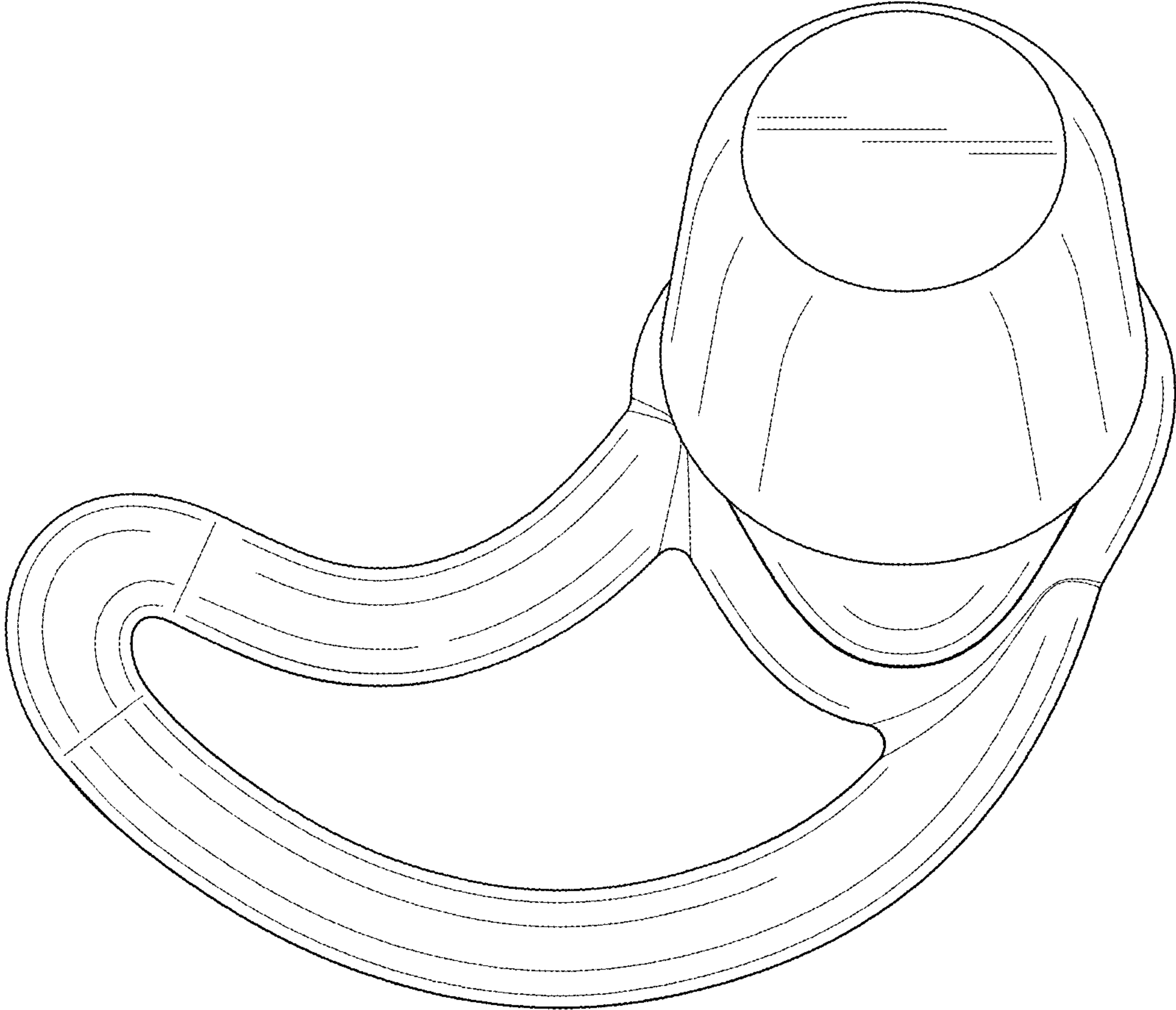


FIG.7