



US00D939685S

(12) **United States Design Patent**
Zeng et al.

(10) **Patent No.:** **US D939,685 S**

(45) **Date of Patent:** **** Dec. 28, 2021**

- (54) **FAN**
- (71) Applicant: **O2COOL, LLC**, Chicago, IL (US)
- (72) Inventors: **Tom Zeng**, Shenzhen (CN); **Eric F. Junkel**, Mount Prospect, IL (US)
- (73) Assignee: **O2COOL, LLC**, Chicago, IL (US)
- (**) Term: **15 Years**
- (21) Appl. No.: **29/728,299**
- (22) Filed: **Mar. 17, 2020**
- (51) **LOC (13) Cl.** **23-04**
- (52) **U.S. Cl.**
USPC **D23/370; D23/382**
- (58) **Field of Classification Search**
USPC D23/200, 223, 228, 314, 328, 332, 333,
D23/335, 336, 337, 351, 355, 356, 370,
D23/371, 378-380, 381, 382, 383,
D23/411-412
CPC F04D 25/0673; F04D 25/08; F04D 25/084;
F04D 29/4226
See application file for complete search history.

- D597,195 S 7/2009 Zhuang
- D674,476 S * 1/2013 Junkel D23/370
- D680,209 S * 4/2013 Yen D23/370
- D684,249 S * 6/2013 Herbst D23/370
- D721,431 S 1/2015 Herbst et al.
- 9,091,452 B2 * 7/2015 Yen F04D 19/002
- D752,201 S * 3/2016 Herbst D23/411
- D825,048 S 8/2018 Breit et al.

* cited by examiner

Primary Examiner — Sharon S Oum

(74) *Attorney, Agent, or Firm* — Thompson Coburn LLP

(57) **CLAIM**

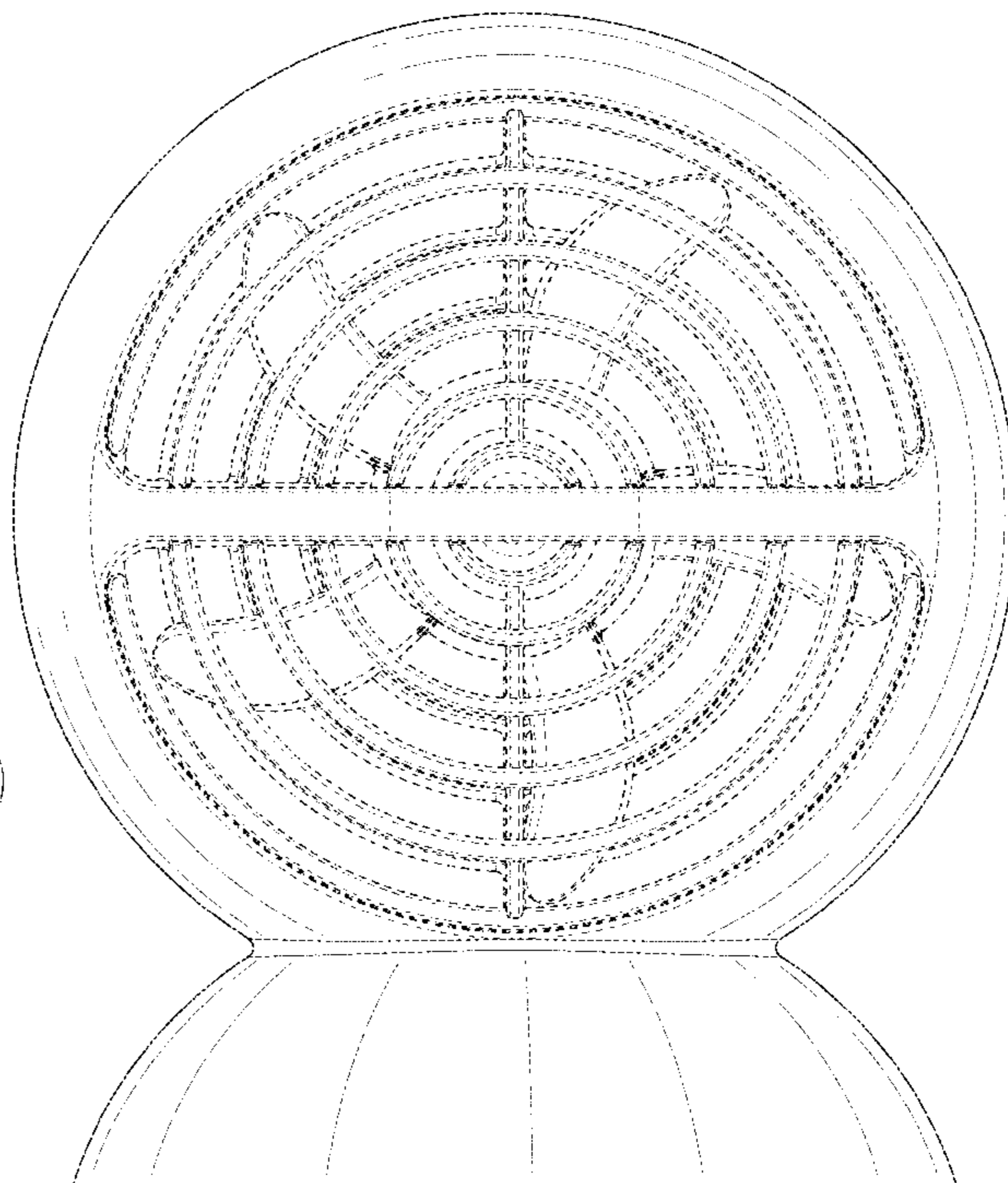
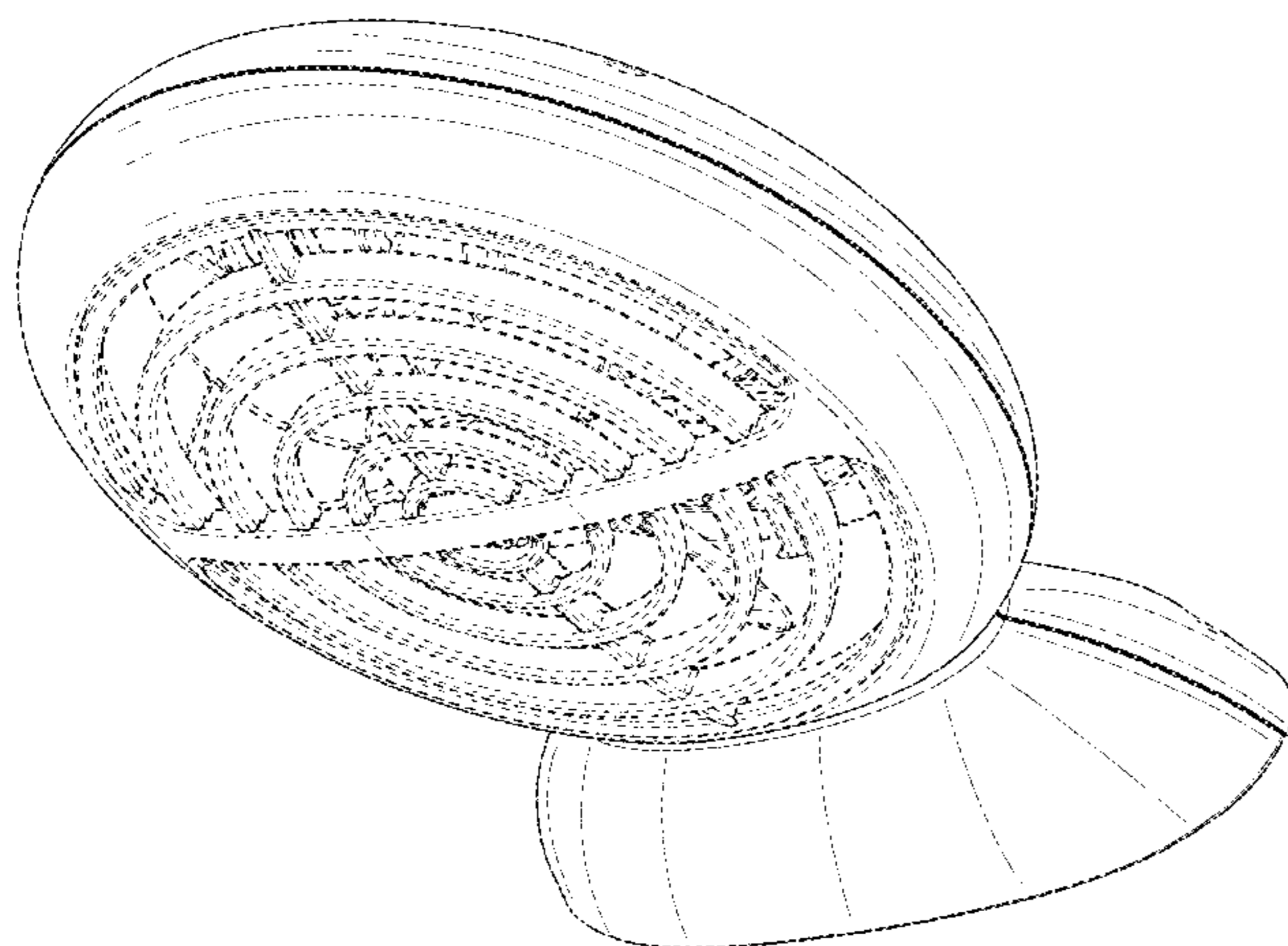
The ornamental design for a fan, as shown and described.

DESCRIPTION

FIG. 1 is a first perspective view of the fan showing our new design;
 FIG. 2 is a right side view thereof;
 FIG. 3 is a left side view thereof;
 FIG. 4 is a front view thereof;
 FIG. 5 is a rear view thereof;
 FIG. 6 is a top view thereof;
 FIG. 7 is a bottom view thereof; and,
 FIG. 8 is a second perspective view thereof.
 The dash-dot-dash broken lines immediately adjacent the shaded areas represent the bounds of the claimed design while all other broken lines are directed to unclaimed portions of the fan. The broken lines form no part of the claimed design.

1 Claim, 8 Drawing Sheets

- (56) **References Cited**
U.S. PATENT DOCUMENTS
5,601,412 A * 2/1997 Vice F04D 29/703
416/2
D387,153 S * 12/1997 Fok D23/332
D556,892 S * 12/2007 Chen D23/379



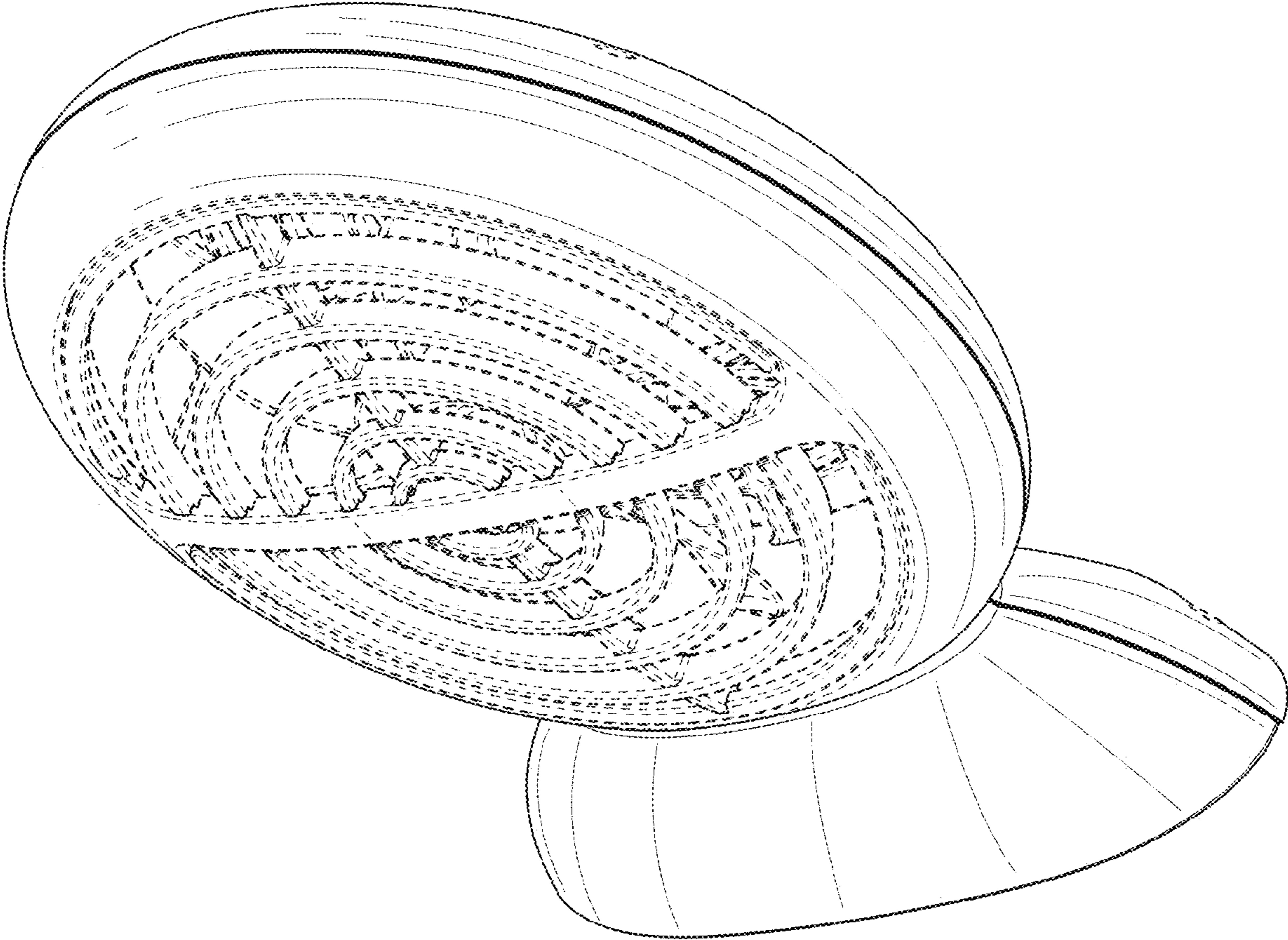


FIG. 1

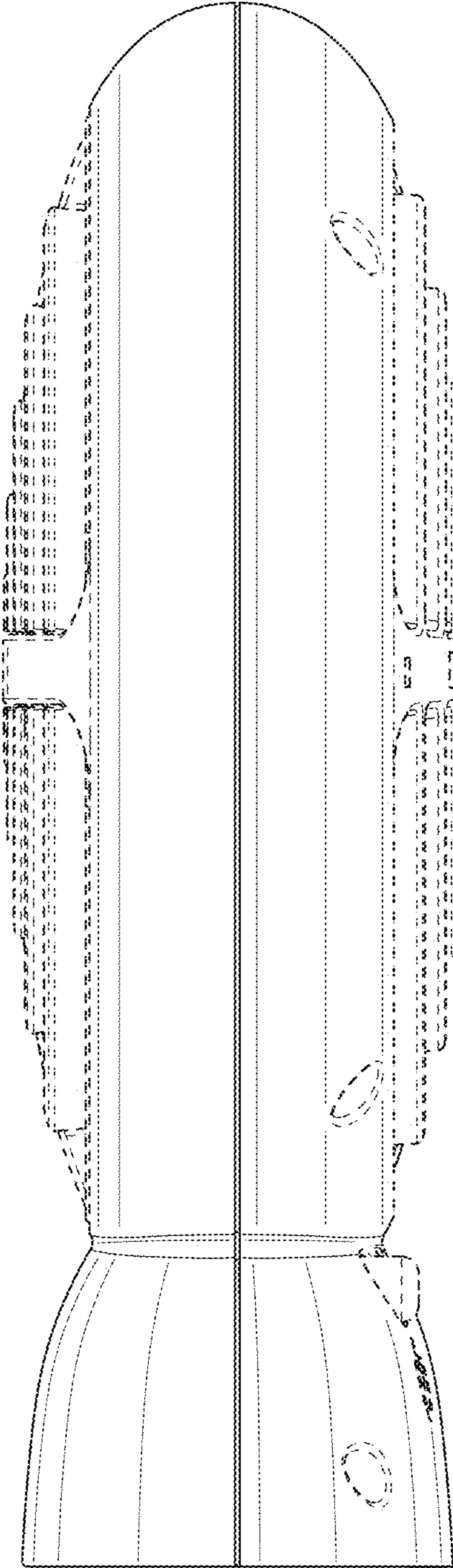


FIG. 2

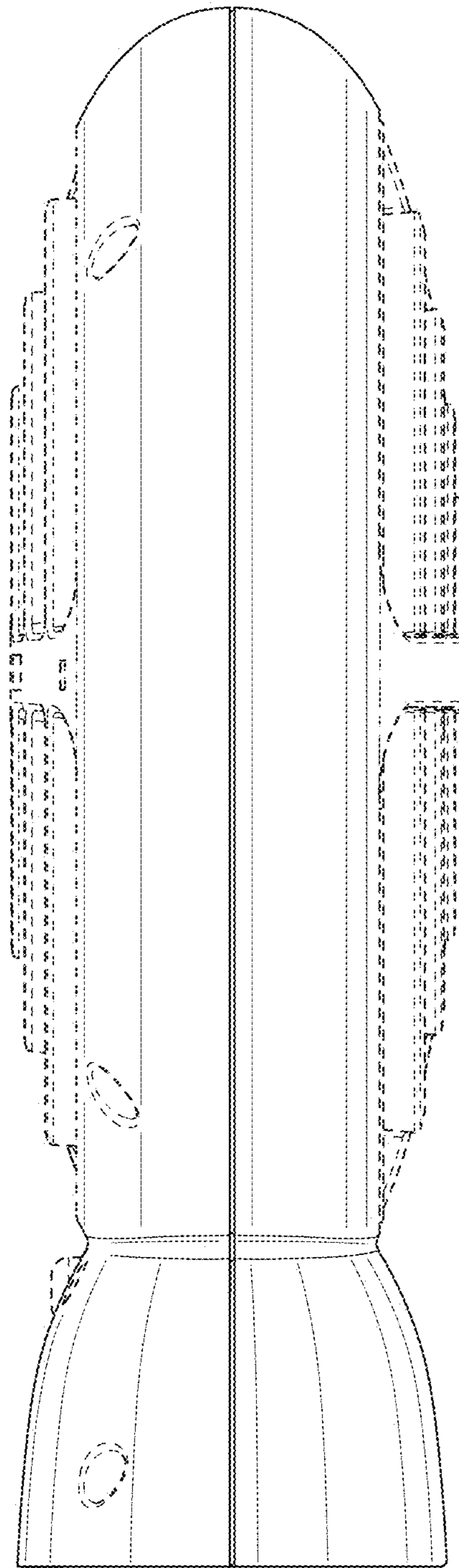


FIG. 3

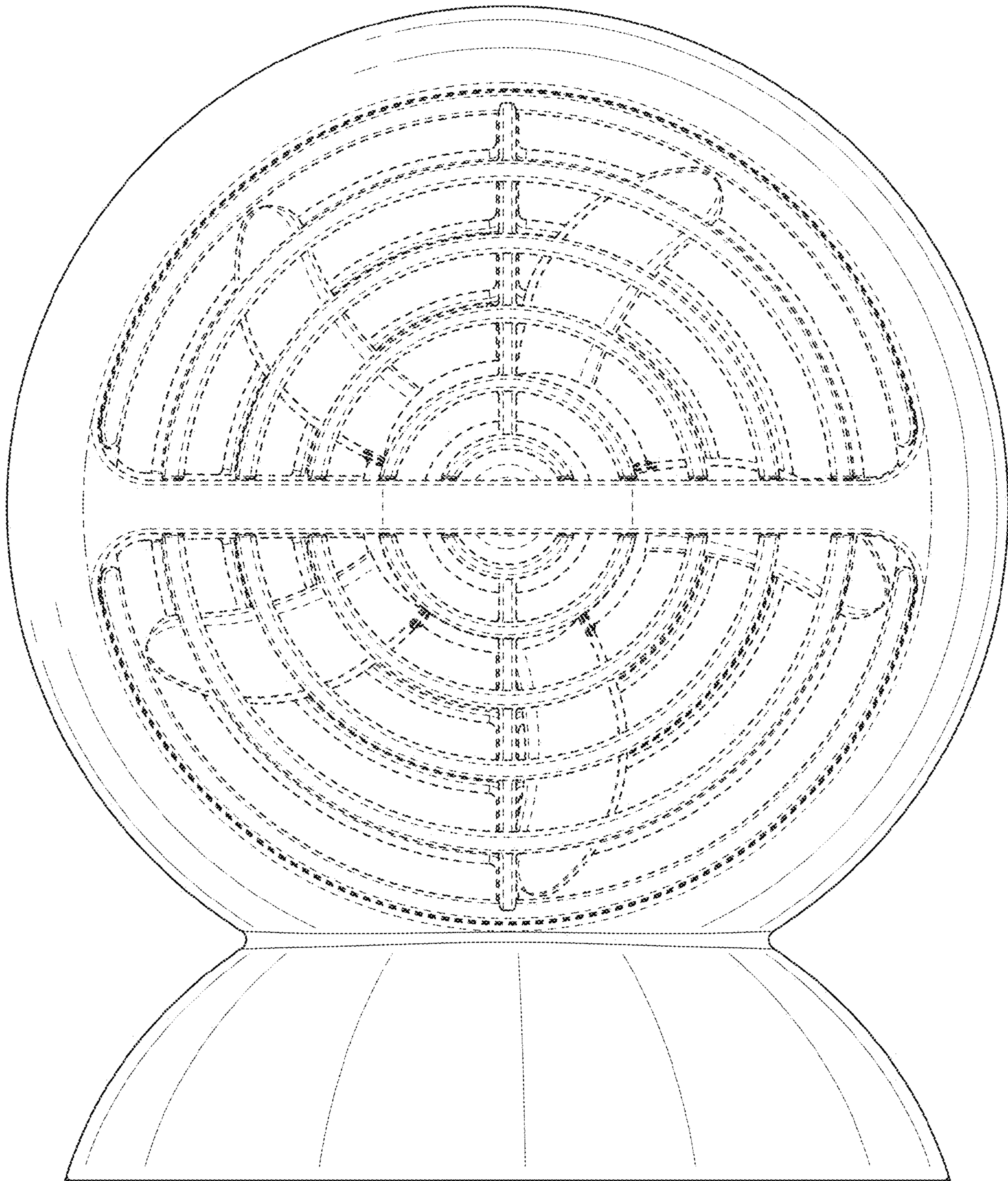


FIG. 4

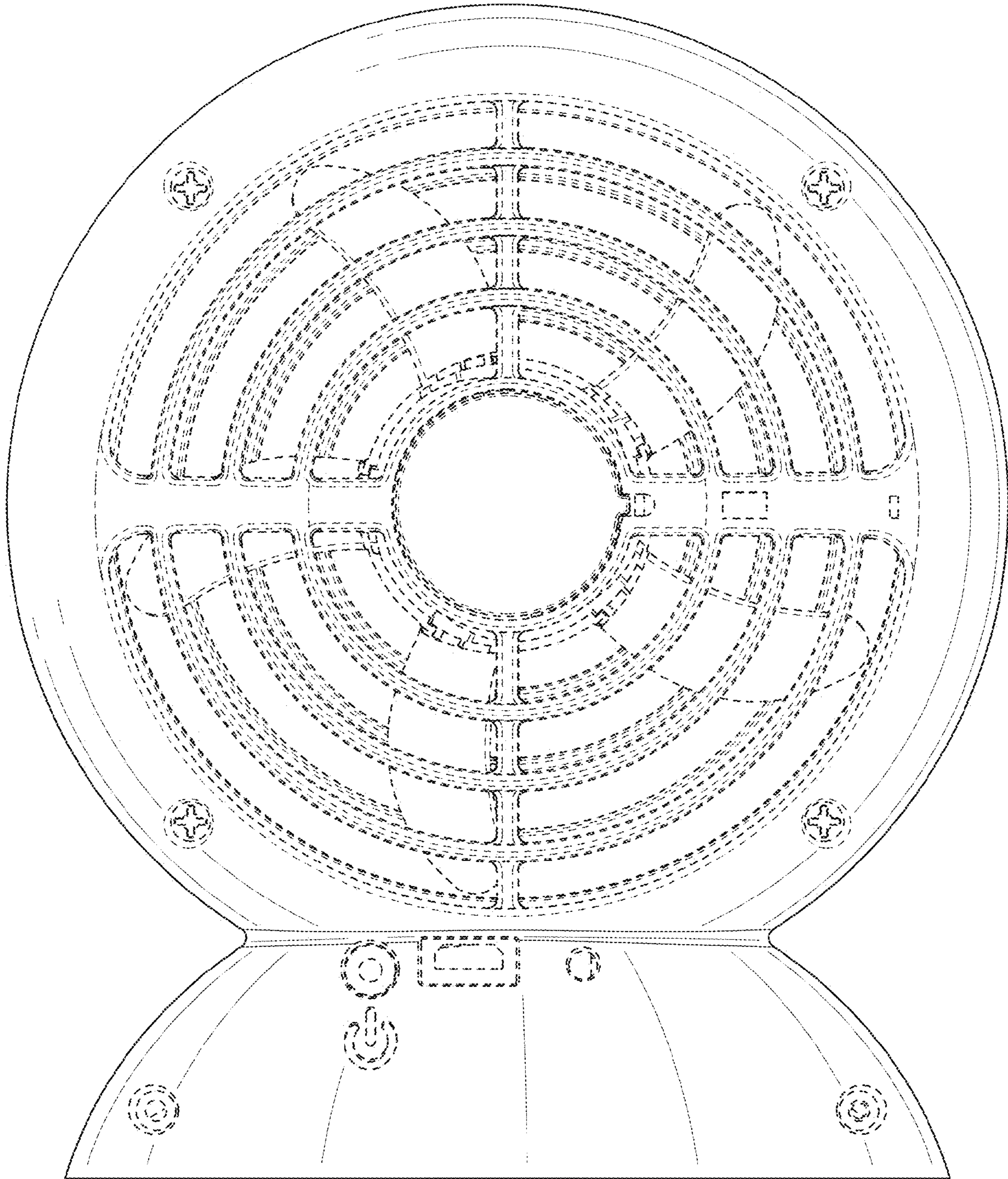


FIG. 5

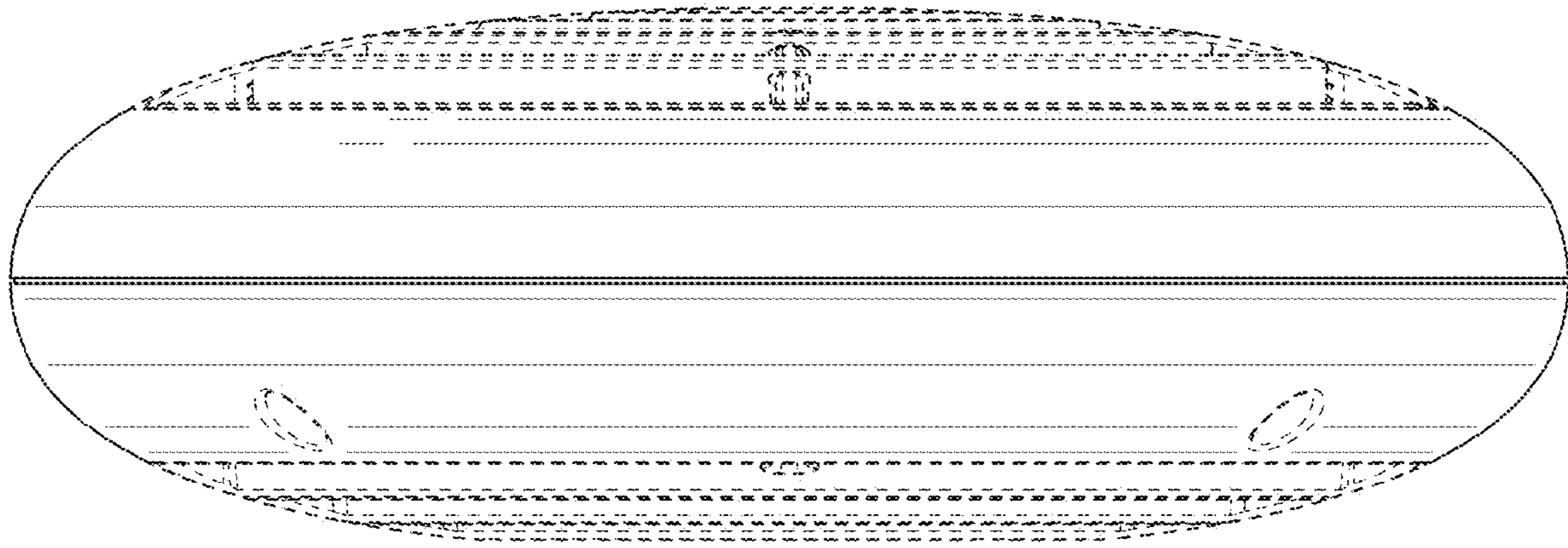


FIG. 6

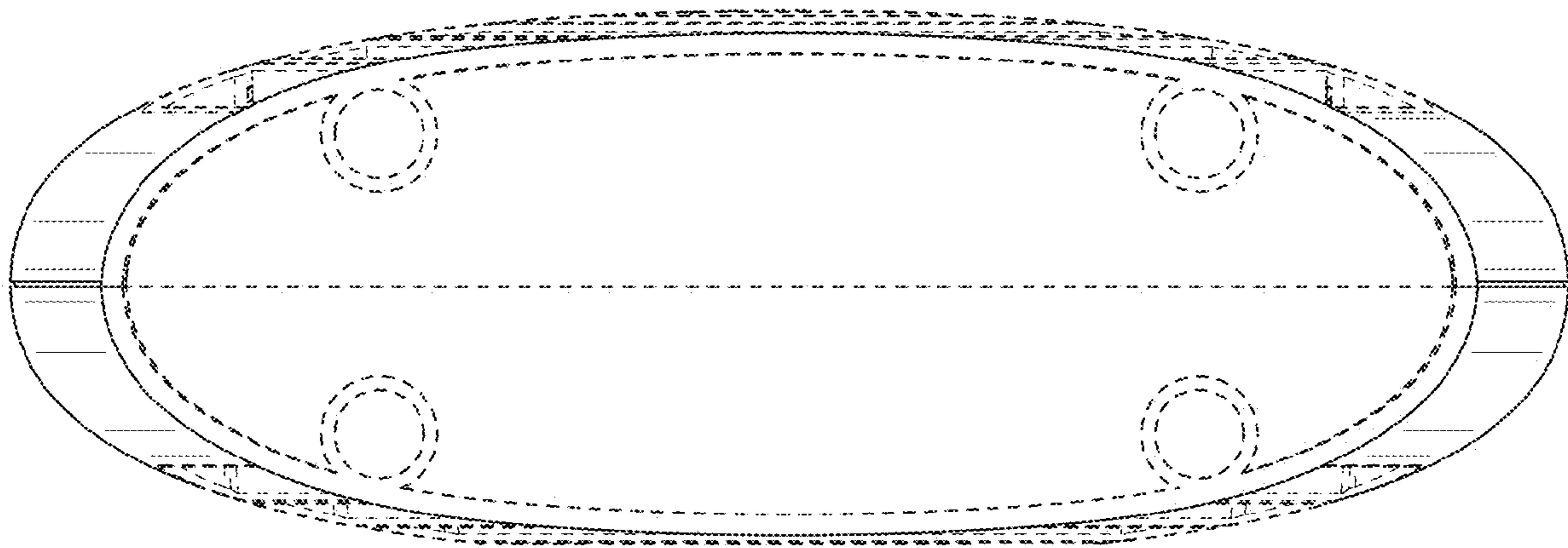


FIG. 7

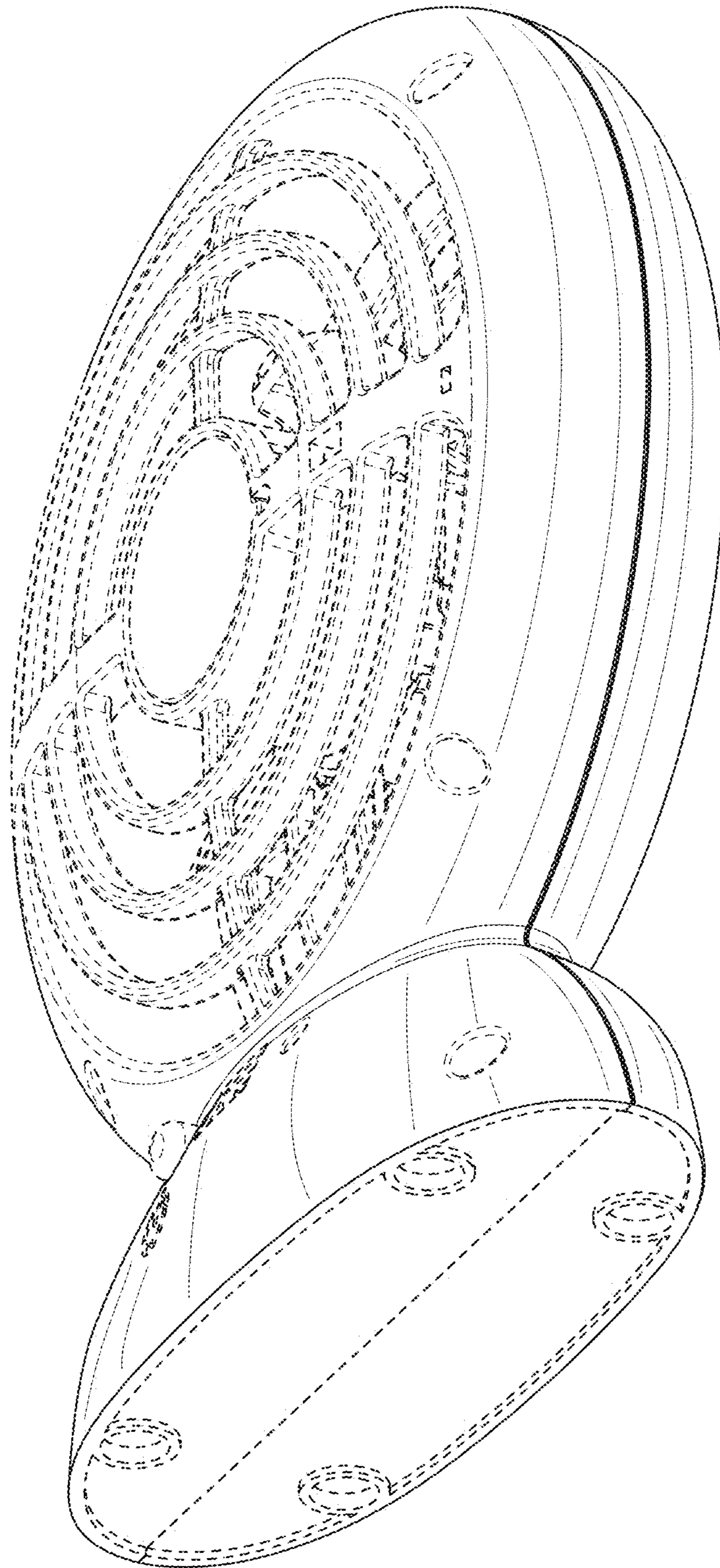


FIG. 8