



US00D939677S

(12) **United States Design Patent**
Kang et al.

(10) **Patent No.:** **US D939,677 S**
(45) **Date of Patent:** **** Dec. 28, 2021**

(54) **SINK AND VANITY**

(71) Applicant: **AS America, Inc.**, Piscataway, NJ (US)

(72) Inventors: **Kye Kang**, New York, NY (US);
Christophe Bucher, Hillsborough, NJ (US)

(73) Assignee: **AS America, Inc.**, Piscataway, NJ (US)

(**) Term: **15 Years**

(21) Appl. No.: **29/711,186**

(22) Filed: **Oct. 29, 2019**

(51) **LOC (13) Cl.** **23-02**

(52) **U.S. Cl.**
USPC **D23/286**

(58) **Field of Classification Search**
USPC D23/271, 284, 286, 283.1, 308;
D24/234; D6/663-664, 673, 675
See application file for complete search history.

(56) **References Cited**

U.S. PATENT DOCUMENTS

D538,899 S *	3/2007	Mayer	D23/286
D624,992 S *	10/2010	Maitre	D23/284
D777,889 S *	1/2017	Danelon	D23/286
D790,883 S *	7/2017	Schonherr	D6/663
D912,228 S *	3/2021	Chong	E03C 1/04
				D23/286
D912,229 S *	3/2021	Seum	D23/293.1
2018/0259260 A1 *	9/2018	Kim	E03C 1/04

OTHER PUBLICATIONS

ASPEN 40" Cabinet + Sink + Mirror: <https://www.randalco.com/3736-40-inch-modern-bathroom-vanity-cabinet-set-smug-akron-oak-wood-vanity-cabinet-sink-minimalist-mirror.html> (Year: 2021).*

* cited by examiner

Primary Examiner — Robert A Delehanty

(74) *Attorney, Agent, or Firm* — Tyler A. Stevenson;
Anna-lisa L. Gallo

(57) **CLAIM**

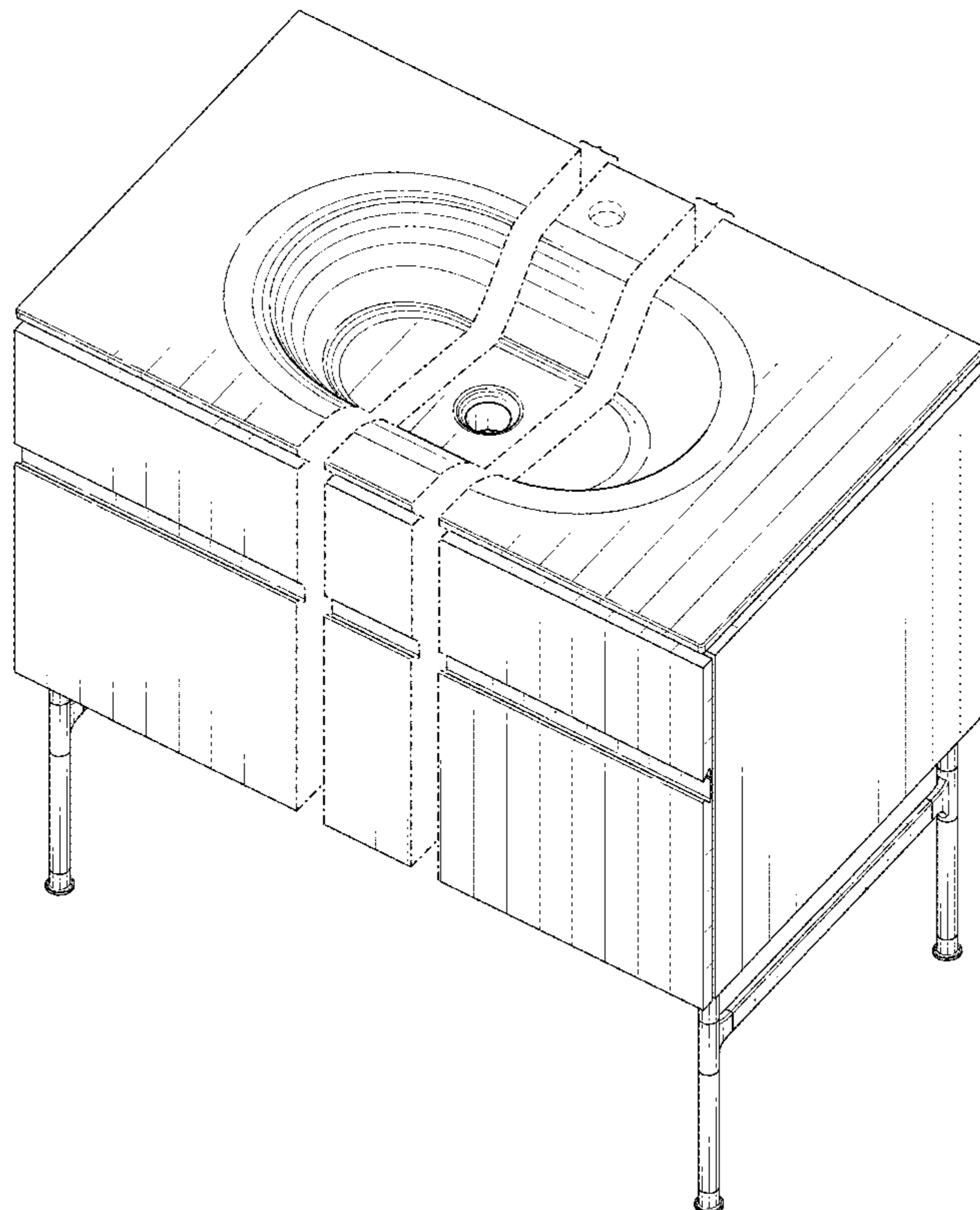
We claim the ornamental design for a sink and vanity, shown and described.

DESCRIPTION

FIG. 1 is a front, top, right side perspective view of a sink and vanity showing our new design; FIG. 2 is a front view thereof; FIG. 3 is a rear side view thereof; FIG. 4 is a left side view thereof; FIG. 5 is a right side view thereof; FIG. 6 is a top view thereof; and, FIG. 7 is a bottom view thereof.

The broken lines associated with brackets indicate break lines and the appearance of any portion of the sink and vanity between the break lines forms no part of the claimed design; the other broken lines depict portions of the sink and vanity that form no part of the claimed design.

1 Claim, 6 Drawing Sheets



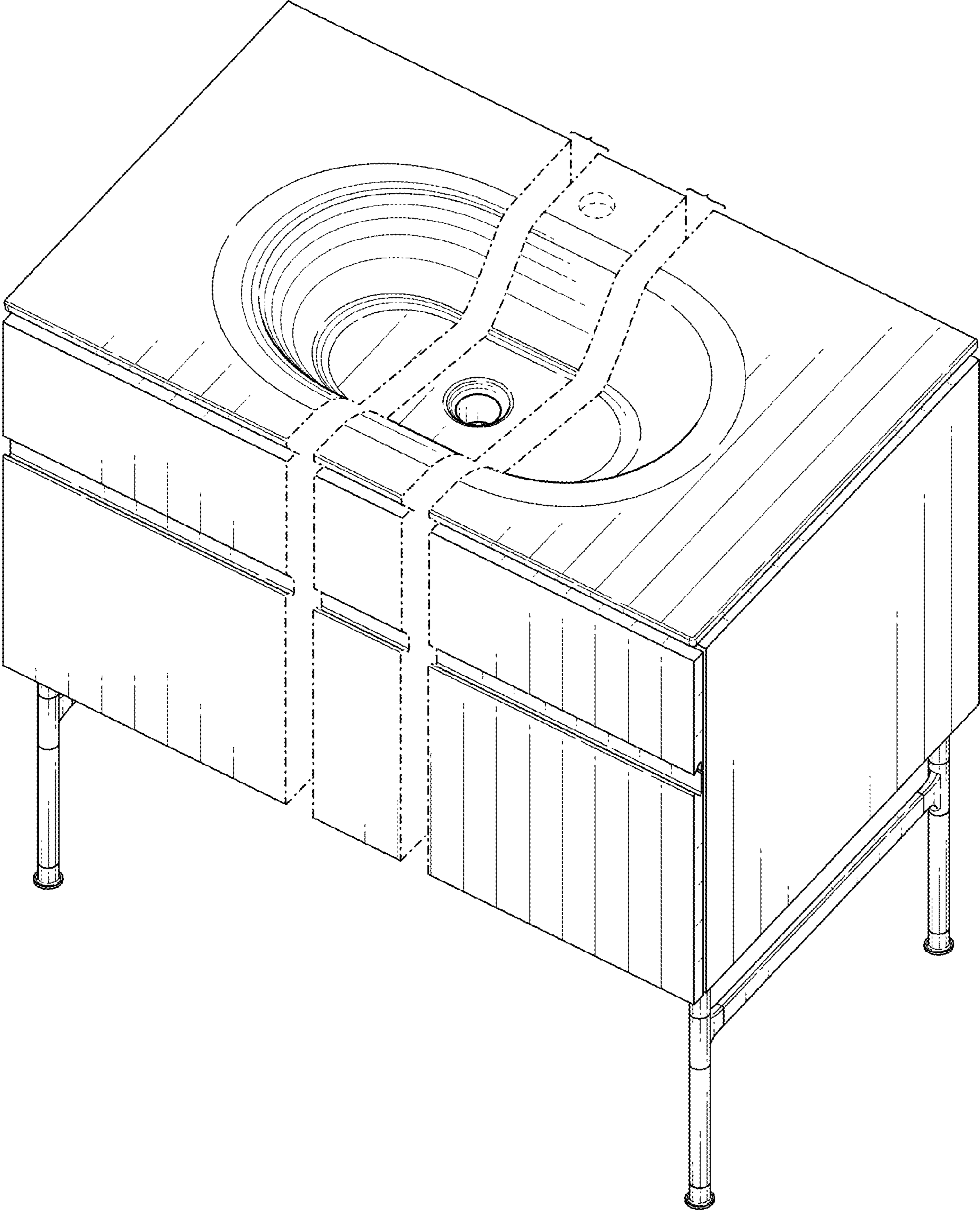


FIG. 1

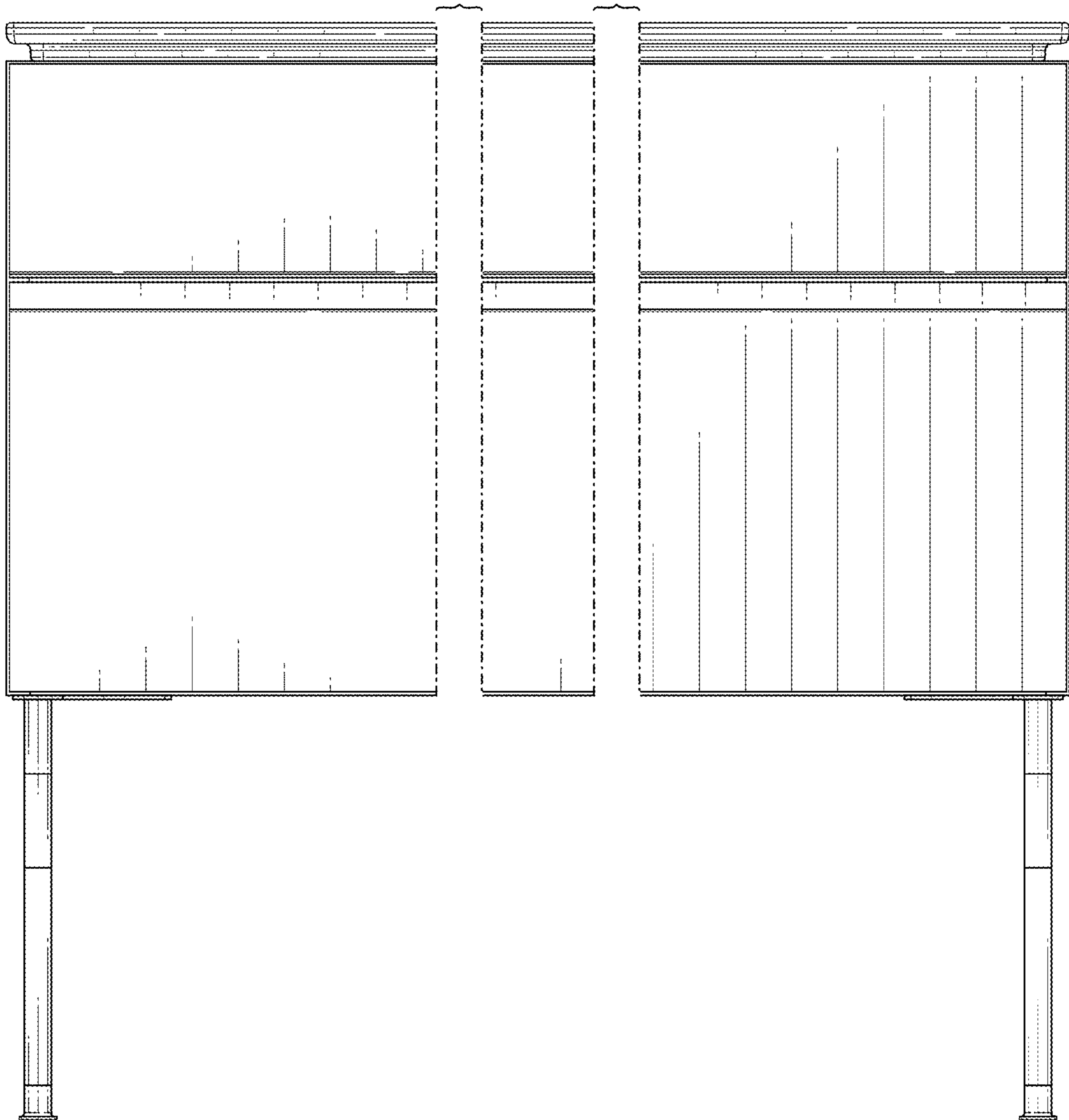


FIG. 2

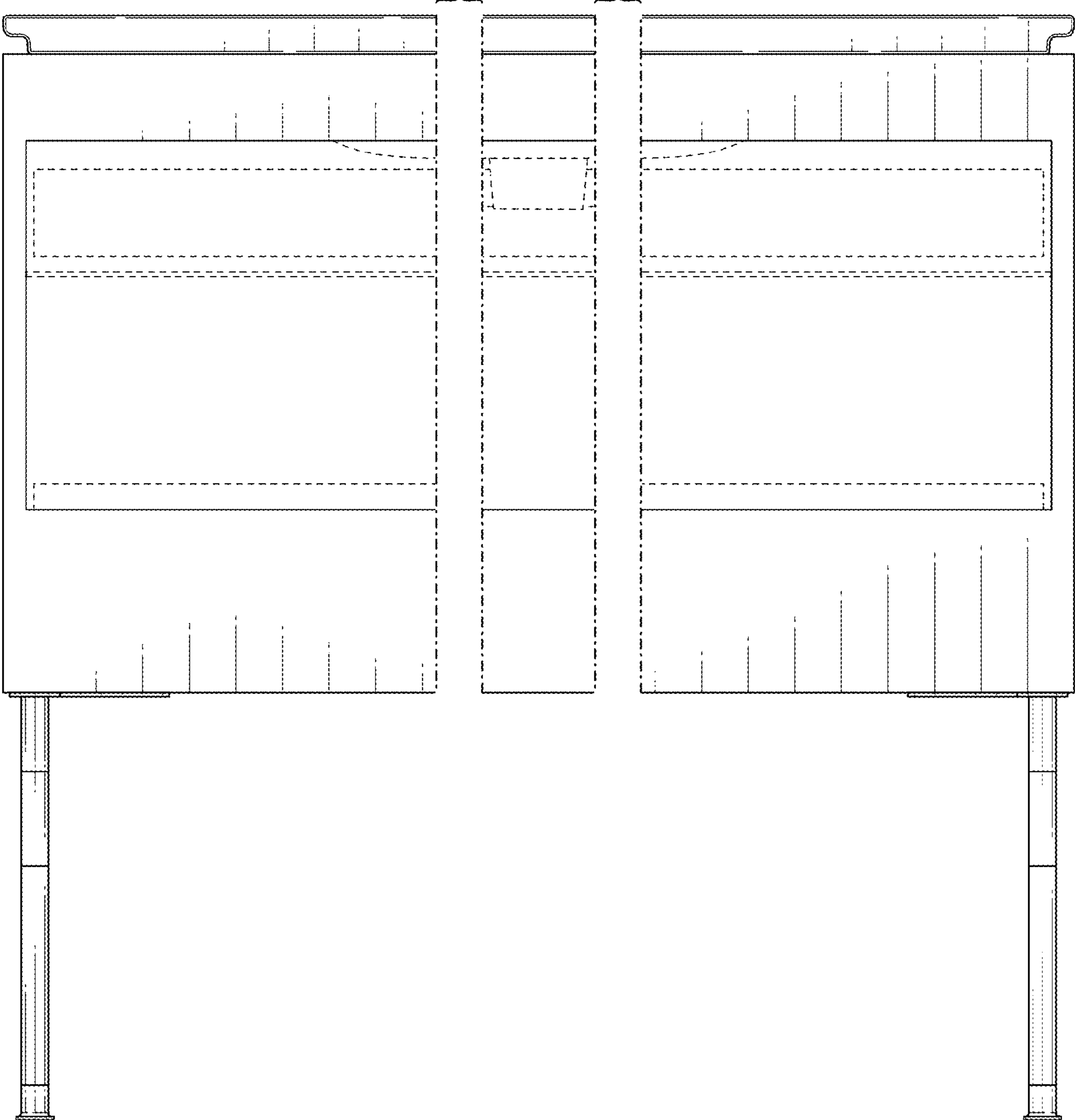


FIG. 3

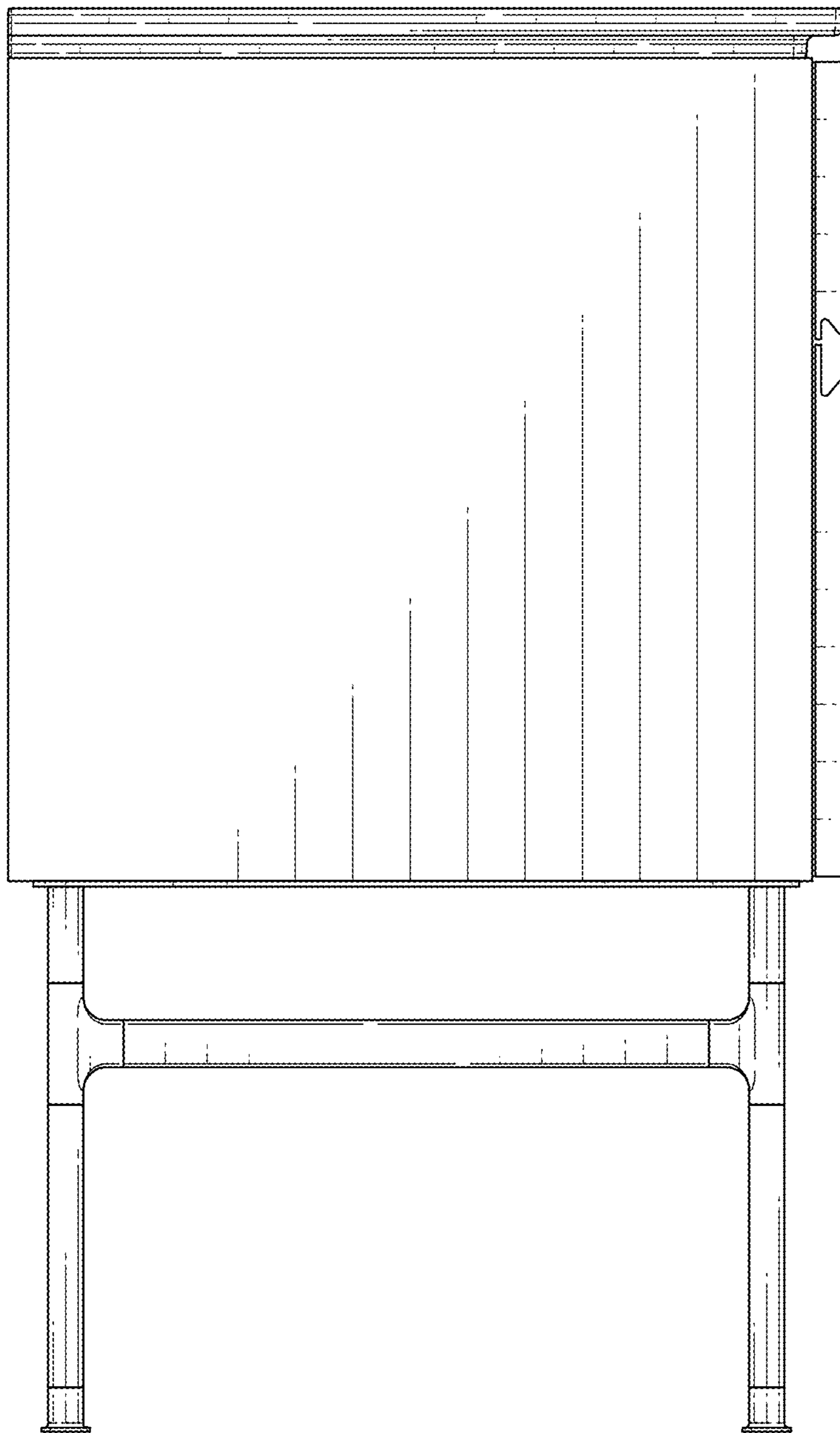


FIG. 4

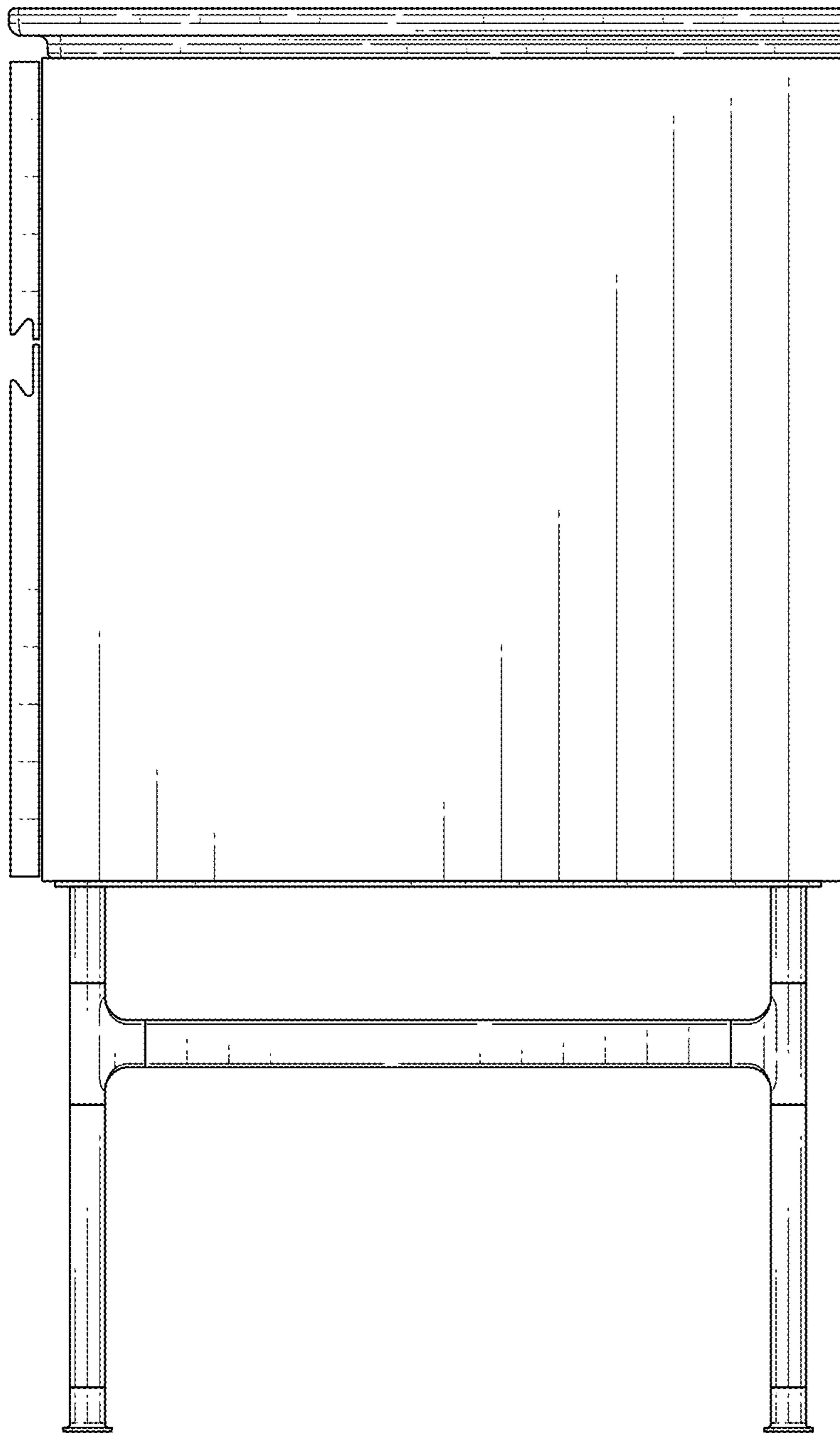


FIG. 5

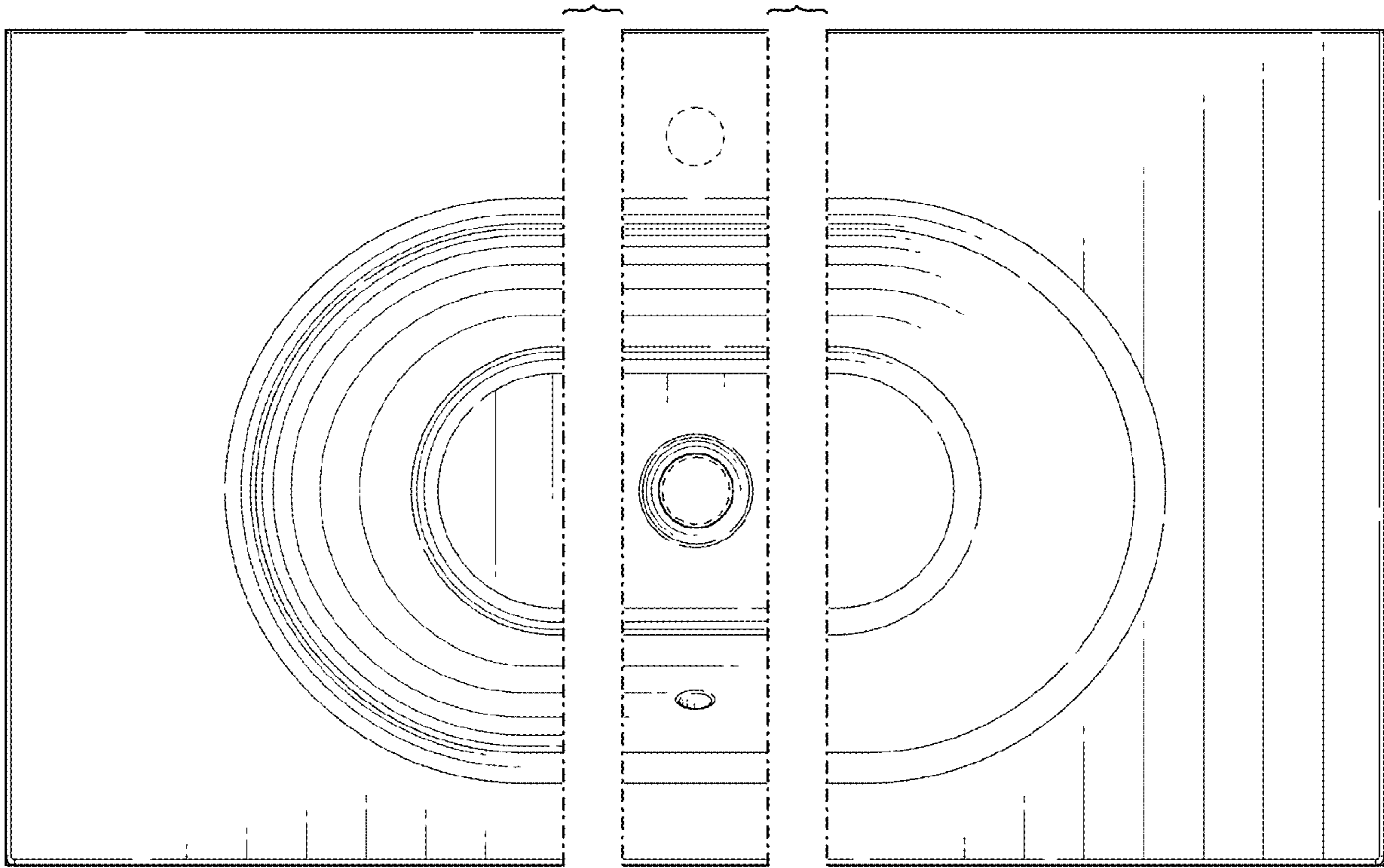


FIG. 6

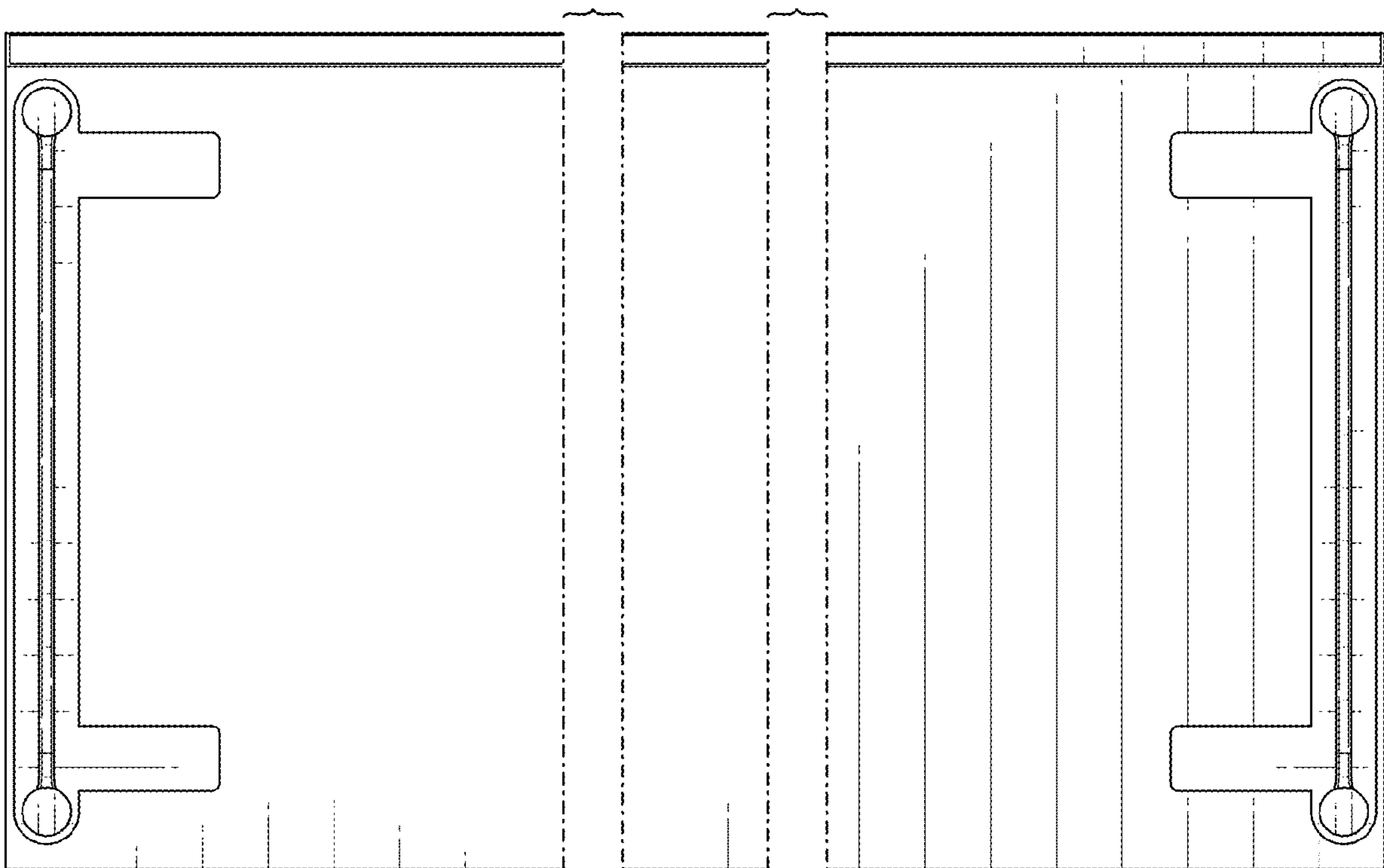


FIG. 7