



US00D939676S

(12) **United States Design Patent** (10) **Patent No.:** **US D939,676 S**
Kang et al. (45) **Date of Patent:** **** Dec. 28, 2021**

(54) **SINK AND VANITY**

(71) Applicant: **AS America, Inc.**, Piscataway, NJ (US)

(72) Inventors: **Kye Kang**, New York, NY (US);
Christophe Bucher, Hillsborough, NJ (US)

(73) Assignee: **AS America, Inc.**, Piscataway, NJ (US)

(**) Term: **15 Years**

(21) Appl. No.: **29/711,183**

(22) Filed: **Oct. 29, 2019**

(51) **LOC (13) Cl.** **23-02**

(52) **U.S. Cl.**
USPC **D23/286**

(58) **Field of Classification Search**
USPC D23/271, 284, 286, 283.1, 308, 293.1;
D24/234; D6/663-664, 673, 675
See application file for complete search history.

(56) **References Cited**

U.S. PATENT DOCUMENTS

D538,899 S *	3/2007	Mayer	D23/286
D624,992 S *	10/2010	Maitre	D23/284
D777,889 S *	1/2017	Danelon	D23/286
D790,883 S *	7/2017	Schönherr	D6/663
D912,228 S *	3/2021	Chong	E03C 1/04
				D23/286
D912,229 S *	3/2021	Seum	D23/293.1
2018/0259260 A1 *	9/2018	Kim	E03C 1/04

OTHER PUBLICATIONS

Aspen 40" Cabinet + Sink + Mirror : <https://www.randalco.com/3736-40-inch-modern-bathroom-vanity-cabinet-set-smug-akron-oak-wood-vanity-cabinet-sink-minimalist-mirror.html> (Year: 2021).*

* cited by examiner

Primary Examiner — Robert A Delehanty

(74) *Attorney, Agent, or Firm* — Tyler A. Stevenson;
Anna-lisa L. Gallo

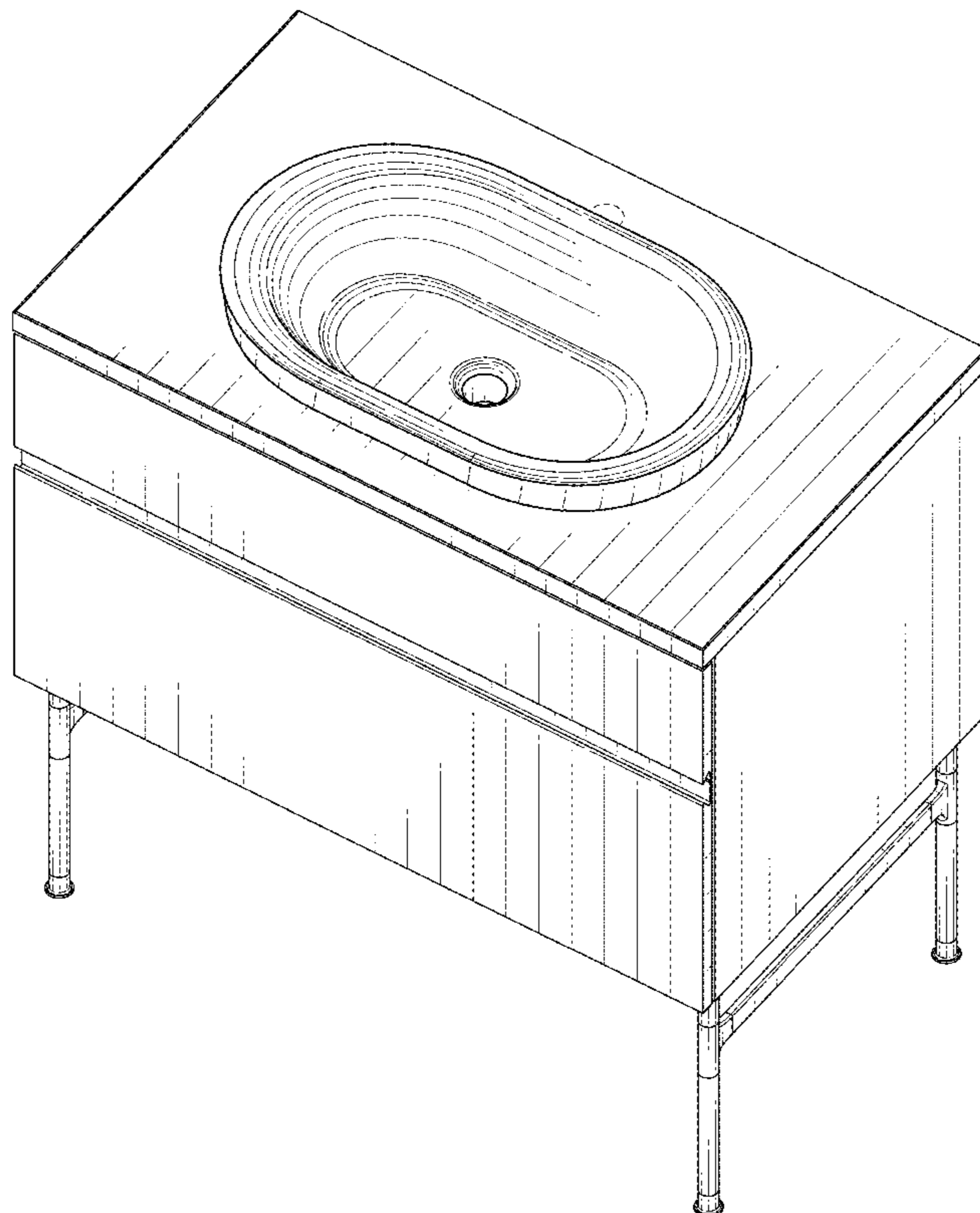
(57) **CLAIM**

We claim the ornamental design for a sink and vanity, shown and described.

DESCRIPTION

FIG. 1 is a front, top, right side perspective view of a sink and vanity showing our new design;
FIG. 2 is a front view thereof;
FIG. 3 is a rear side view thereof;
FIG. 4 is a left side view thereof;
FIG. 5 is a right side view thereof;
FIG. 6 is a top view thereof; and,
FIG. 7 is a bottom view thereof.
The broken lines depict portions of the sink and vanity that form no part of the claimed design.

1 Claim, 6 Drawing Sheets



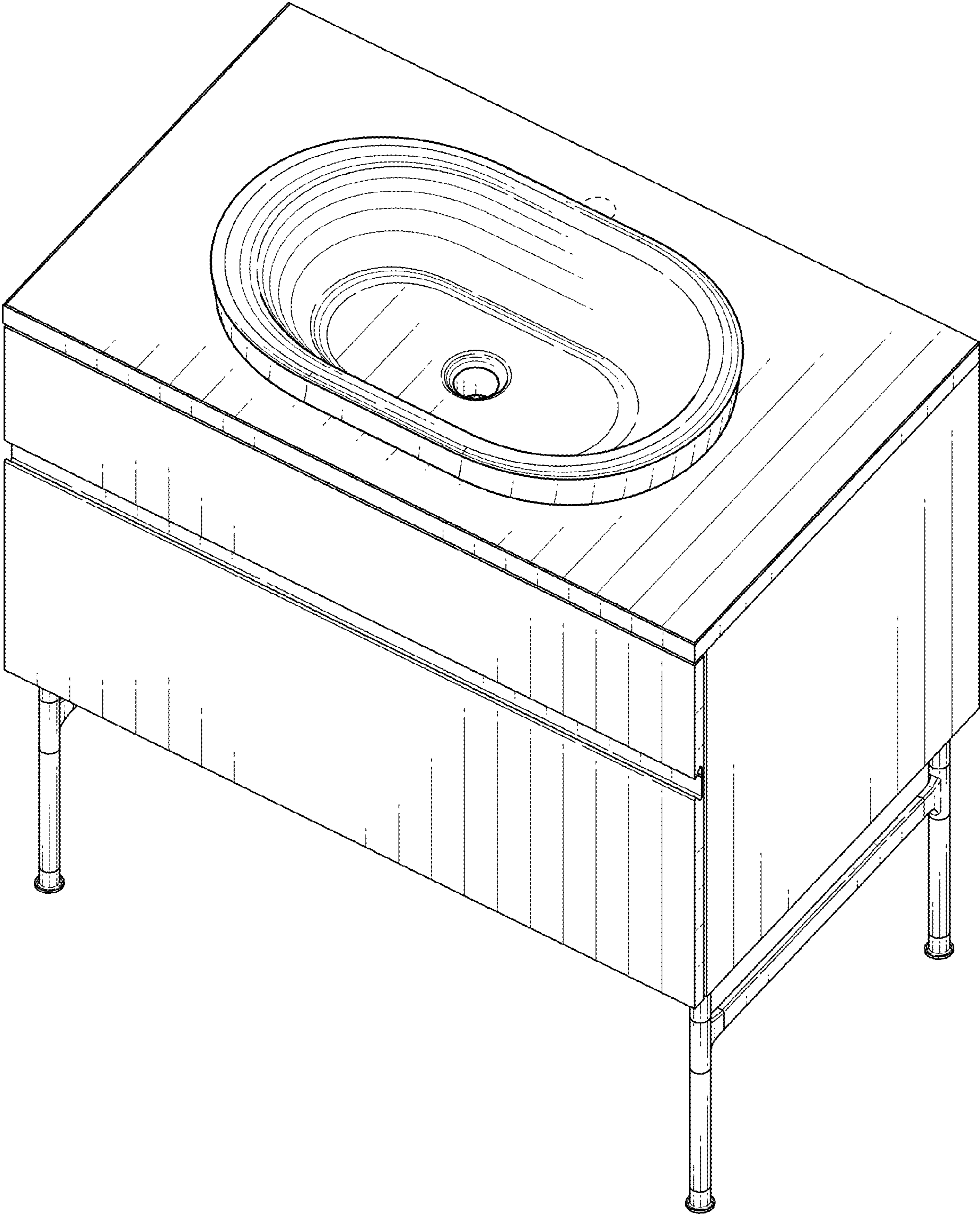


FIG. 1

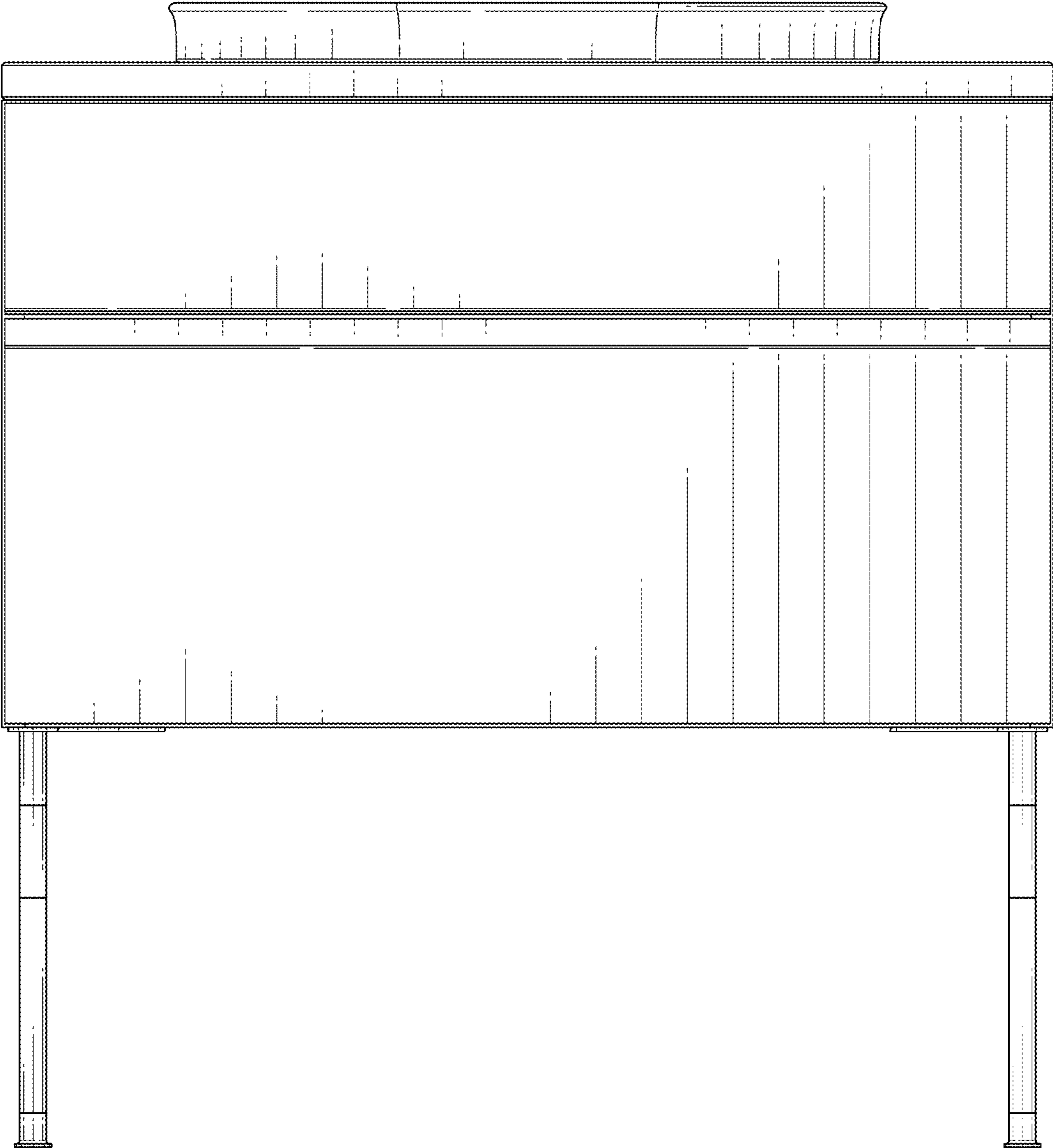


FIG. 2

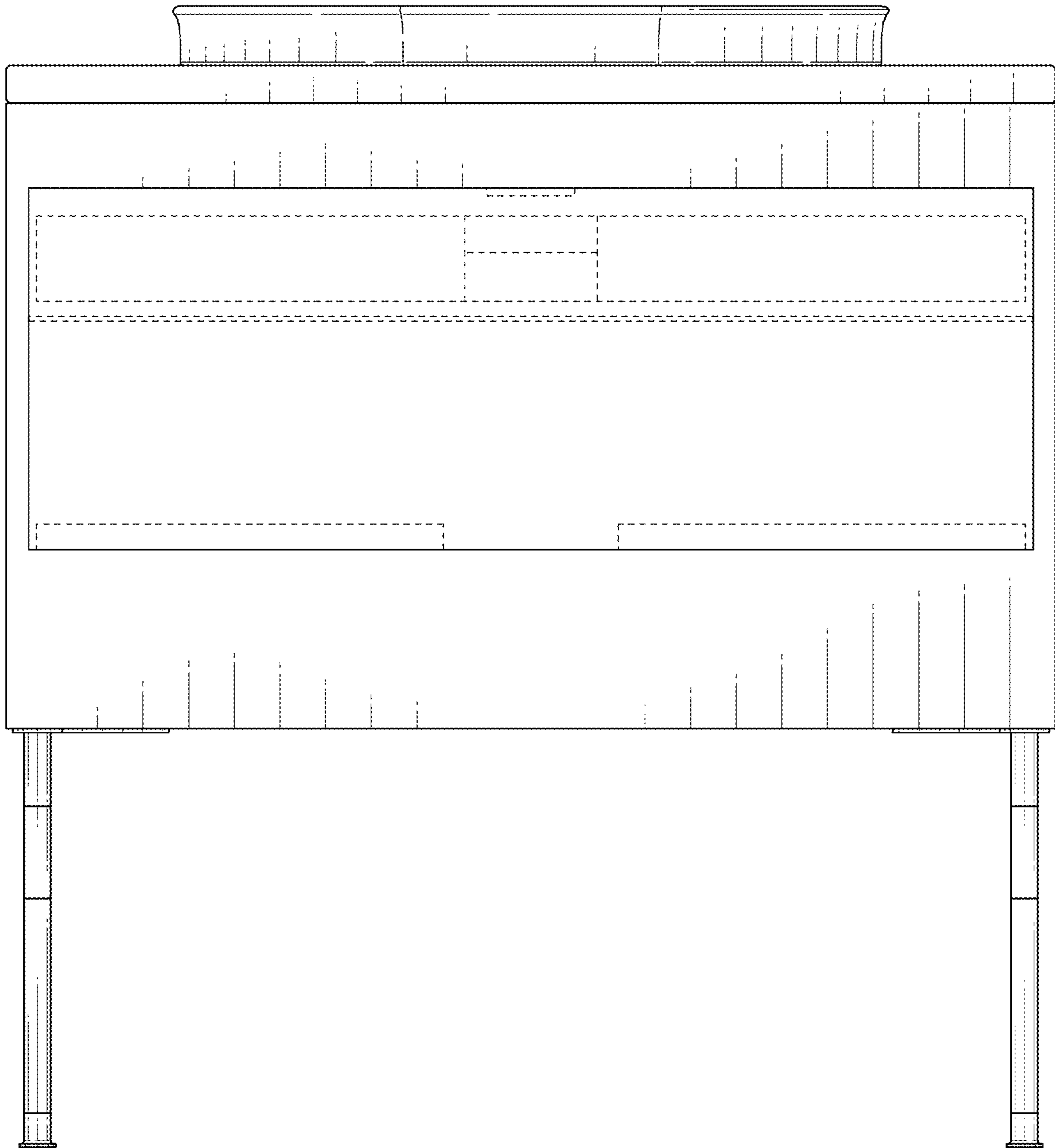


FIG. 3

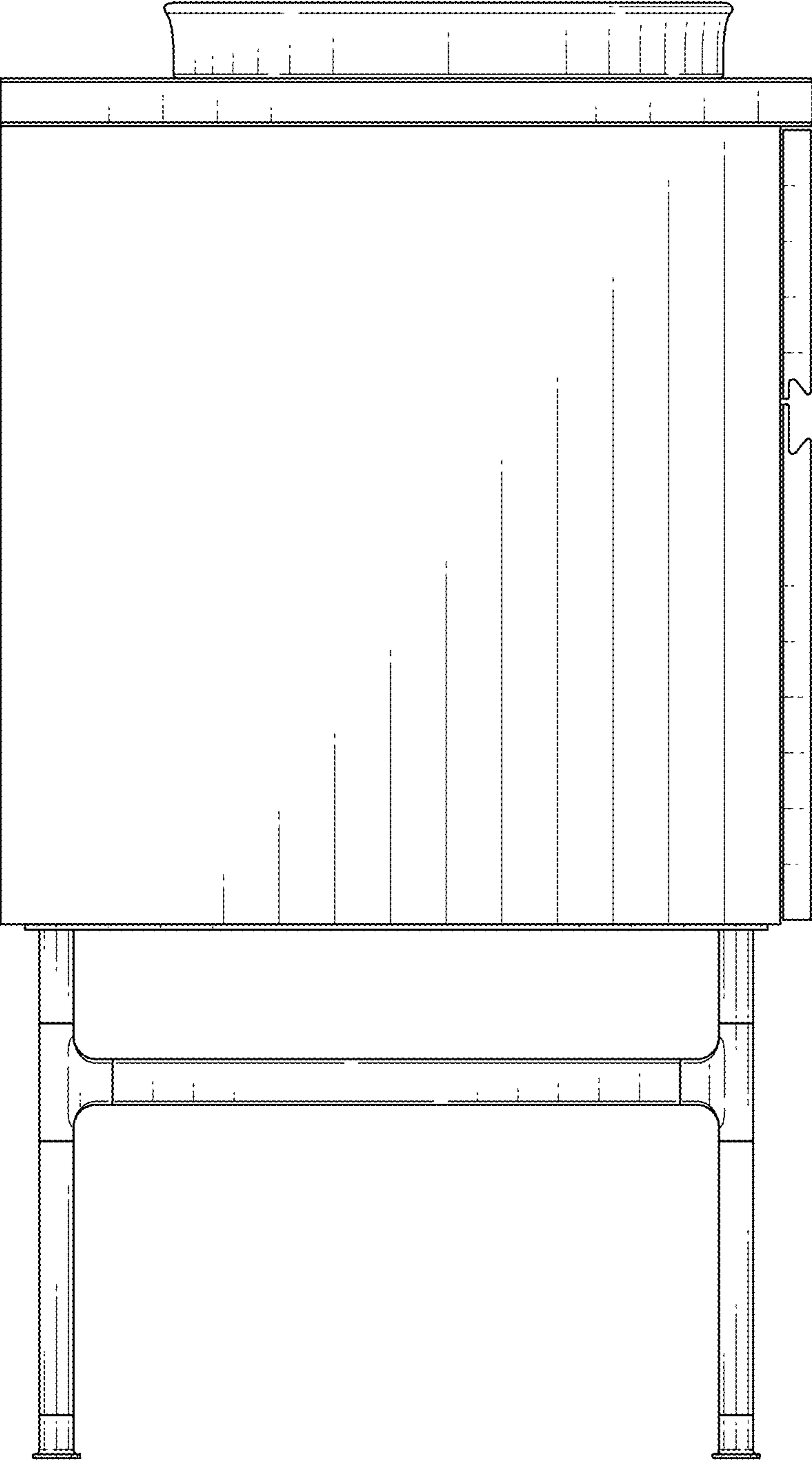


FIG. 4

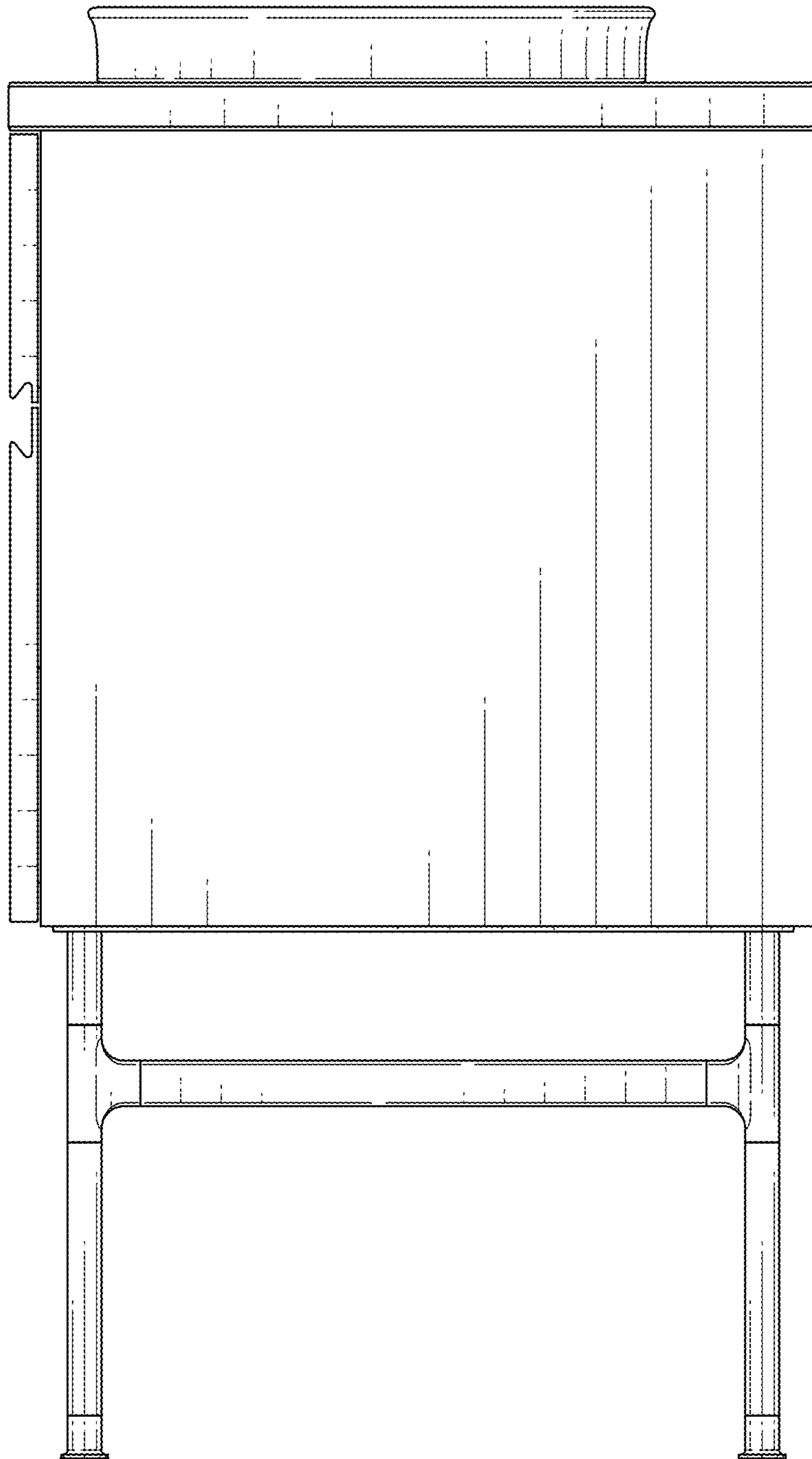


FIG. 5

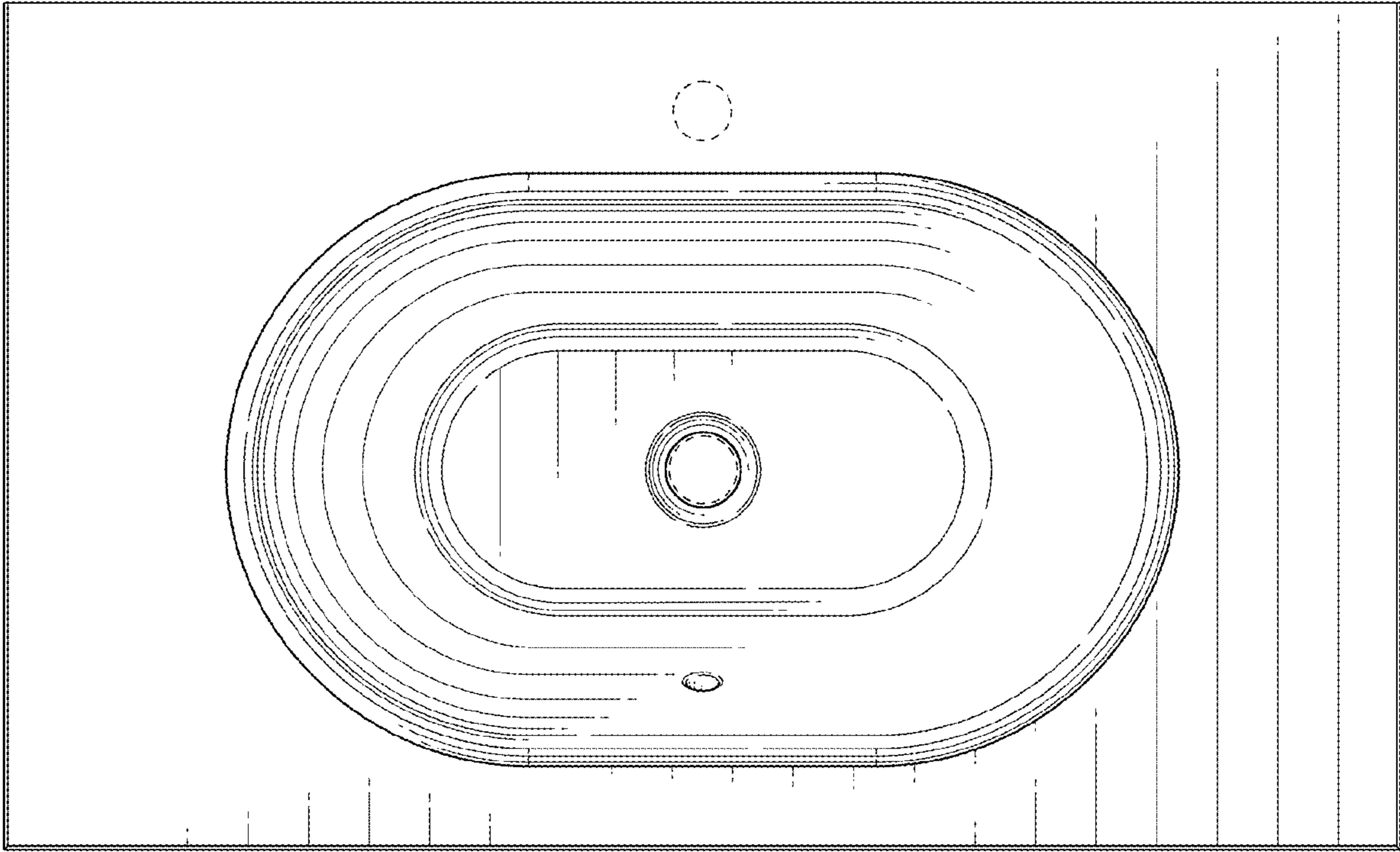


FIG. 6

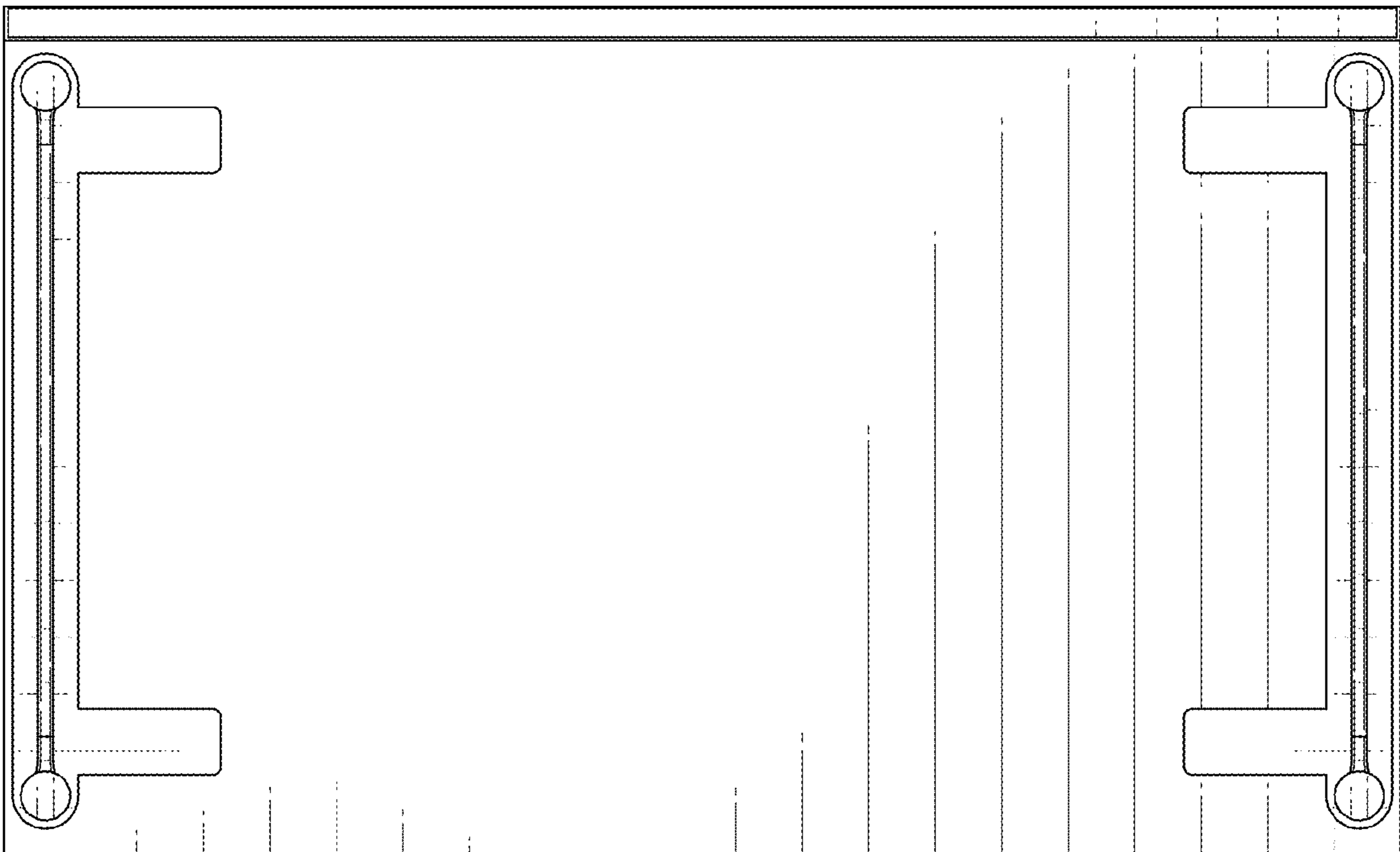


FIG. 7