



US00D939674S

(12) **United States Design Patent** (10) **Patent No.:** **US D939,674 S**  
**Levi** (45) **Date of Patent:** **\*\* Dec. 28, 2021**

(54) **SINK**  
(71) Applicant: **KRAUS USA PLUMBING LLC**, Port Washington, NY (US)  
(72) Inventor: **Russell Levi**, Port Washington, NY (US)  
(73) Assignee: **KRAUS USA PLUMBING LLC**, Port Washington, NY (US)

D835,762 S 12/2018 Levi  
D849,895 S 5/2019 Bucher  
D869,618 S \* 12/2019 Walther ..... D23/284  
D892,989 S \* 8/2020 Osher ..... D23/284  
10,844,582 B1 \* 11/2020 Hocaoglu ..... E03C 1/182  
D911,497 S \* 2/2021 Levi ..... D23/284  
D914,170 S \* 3/2021 Li ..... D23/290  
(Continued)

(\*\*) Term: **15 Years**  
(21) Appl. No.: **29/701,570**

**FOREIGN PATENT DOCUMENTS**

CN 2082107 U 8/1991  
CN 201750889 U 2/2011  
(Continued)

(22) Filed: **Aug. 13, 2019**  
(51) **LOC (13) Cl.** ..... **23-02**  
(52) **U.S. Cl.**  
USPC ..... **D23/284**  
(58) **Field of Classification Search**  
USPC ..... D23/284, 286-287, 290, 292, 293.1, 308  
CPC ..... A47K 1/04; A47B 77/06  
See application file for complete search history.

**OTHER PUBLICATIONS**

U.S. Appl. No. 29/701,077, filed Aug. 8, 2019 in the name of Kraus USA Inc.  
(Continued)

(56) **References Cited**

(57) **CLAIM**  
The ornamental design for a sink, as shown and described.

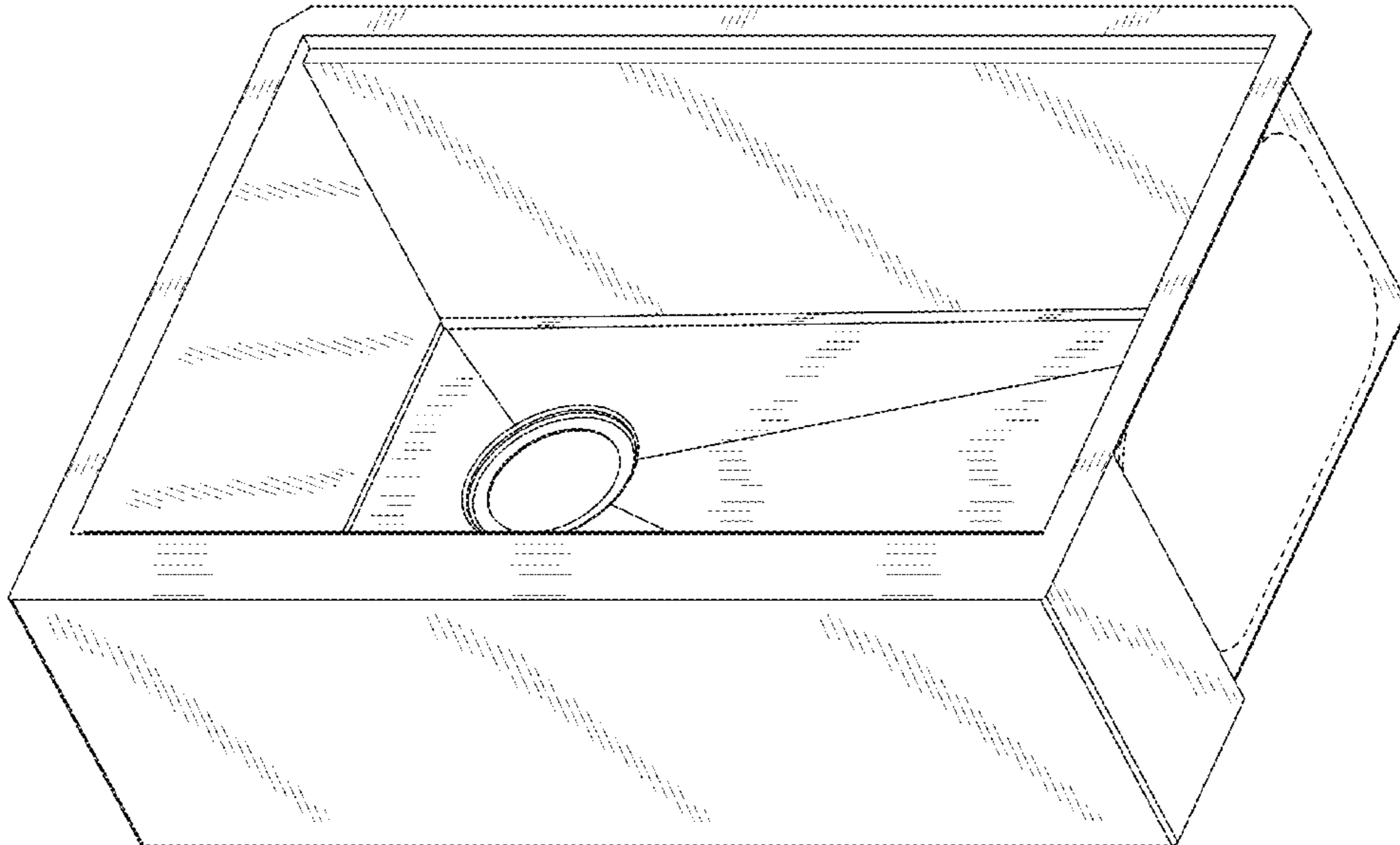
**U.S. PATENT DOCUMENTS**

**DESCRIPTION**

- D478,970 S 8/2003 Niemann et al.
- D505,188 S 5/2005 Bayer
- D538,906 S 3/2007 Stein
- 7,494,556 B2 2/2009 Von Mertz
- D603,484 S 11/2009 Eilmus
- D618,324 S 6/2010 Yu
- D626,203 S 10/2010 Cusimano
- D648,838 S 11/2011 Booth
- D655,798 S \* 3/2012 Miller ..... D23/284
- D657,029 S 4/2012 de Giulio
- D677,769 S 3/2013 Yoshioka et al.
- D702,332 S 4/2014 Eilmus et al.
- 8,898,827 B2 12/2014 Aldrich
- D746,419 S 12/2015 Kurth et al.
- D769,423 S 10/2016 Lilly et al.
- 9,783,967 B2 10/2017 Jain et al.

FIG. 1 is a front perspective view of a sink in accordance with the present design;  
FIG. 2 is a rear elevational view thereof,  
FIG. 3 is a top plan view thereof;  
FIG. 4 is a bottom plan view thereof;  
FIG. 5 is a right side elevational thereof; and,  
FIG. 6 is a left side elevational view thereof.  
The broken lines shown are included for the purpose of illustrating a portion of the sink that form no part of the claimed design.

**1 Claim, 5 Drawing Sheets**



(56)

**References Cited**

U.S. PATENT DOCUMENTS

2003/0204905 A1 11/2003 Ziemann et al.  
2006/0242761 A1 11/2006 Babick et al.  
2008/0148475 A1 6/2008 Lin  
2010/0275369 A1 11/2010 Eilmus et al.  
2011/0308009 A1 12/2011 Davoudi  
2012/0204343 A1 8/2012 Shollmier  
2018/0030704 A1 2/2018 Bomatter et al.  
2018/0141154 A1 5/2018 Oogushi et al.  
2020/0102727 A1\* 4/2020 Li ..... E03C 1/18  
2020/0399877 A1\* 12/2020 Liang ..... E03C 1/18

FOREIGN PATENT DOCUMENTS

DE 9314916 U1 12/1993  
EP 1776898 A2 4/2007  
EP 3143900 A1 3/2017  
JP 3190882 U 5/2014  
WO 2013126482 A1 8/2013

OTHER PUBLICATIONS

U.S. Appl. No. 29/701,078, filed Aug. 8, 2019 in the name of Kraus  
USA Inc.  
U.S. Appl. No. 29/680,413, filed Feb. 15, 2019 in the name of Kraus  
USA Inc.

\* cited by examiner

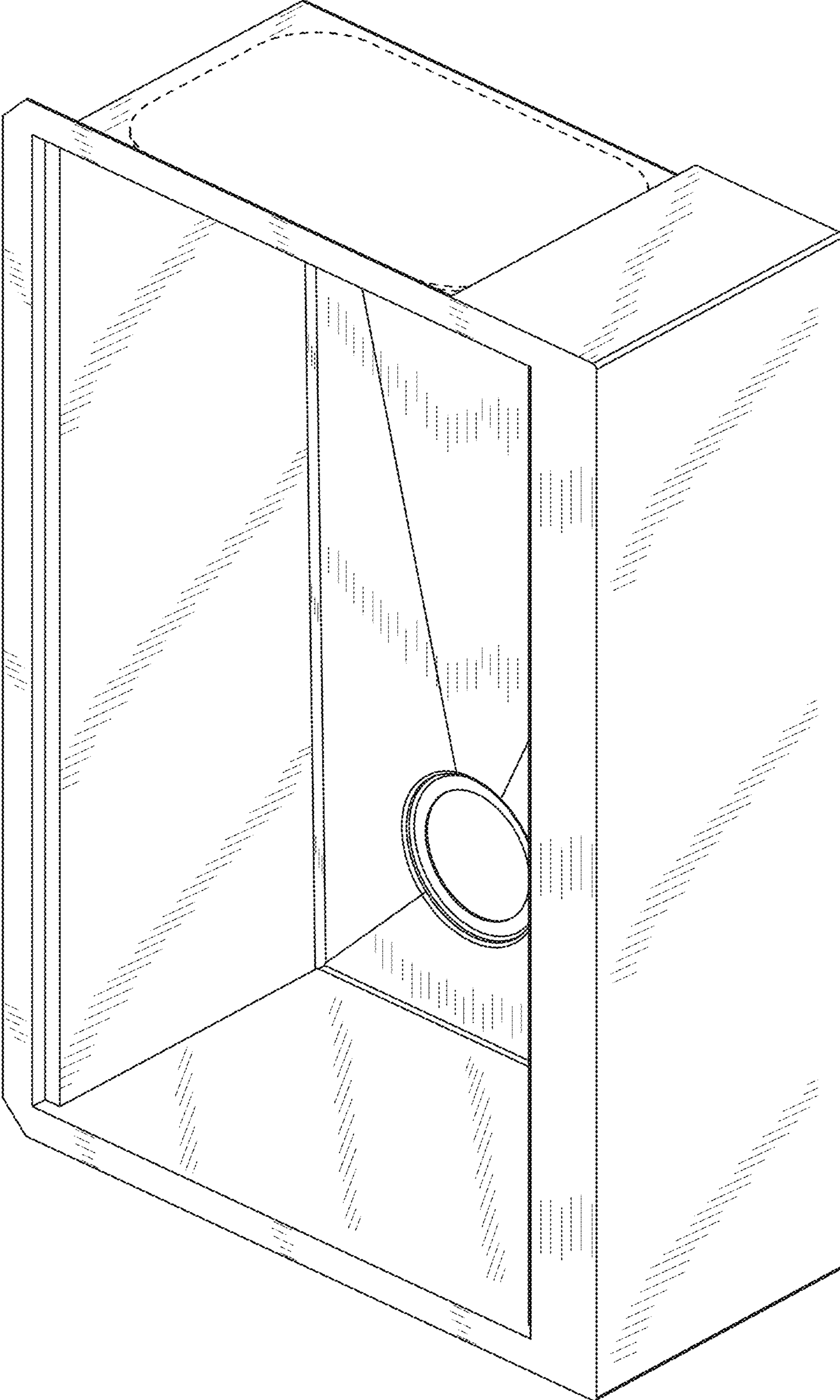


FIG. 1

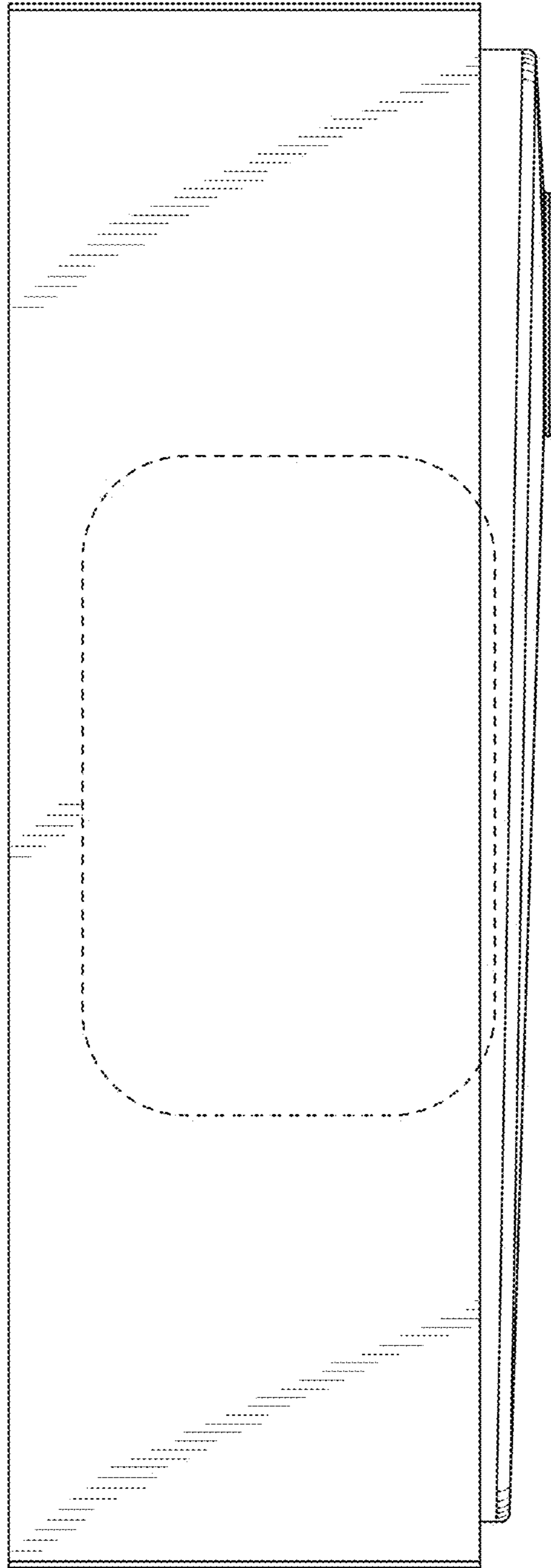


FIG. 2

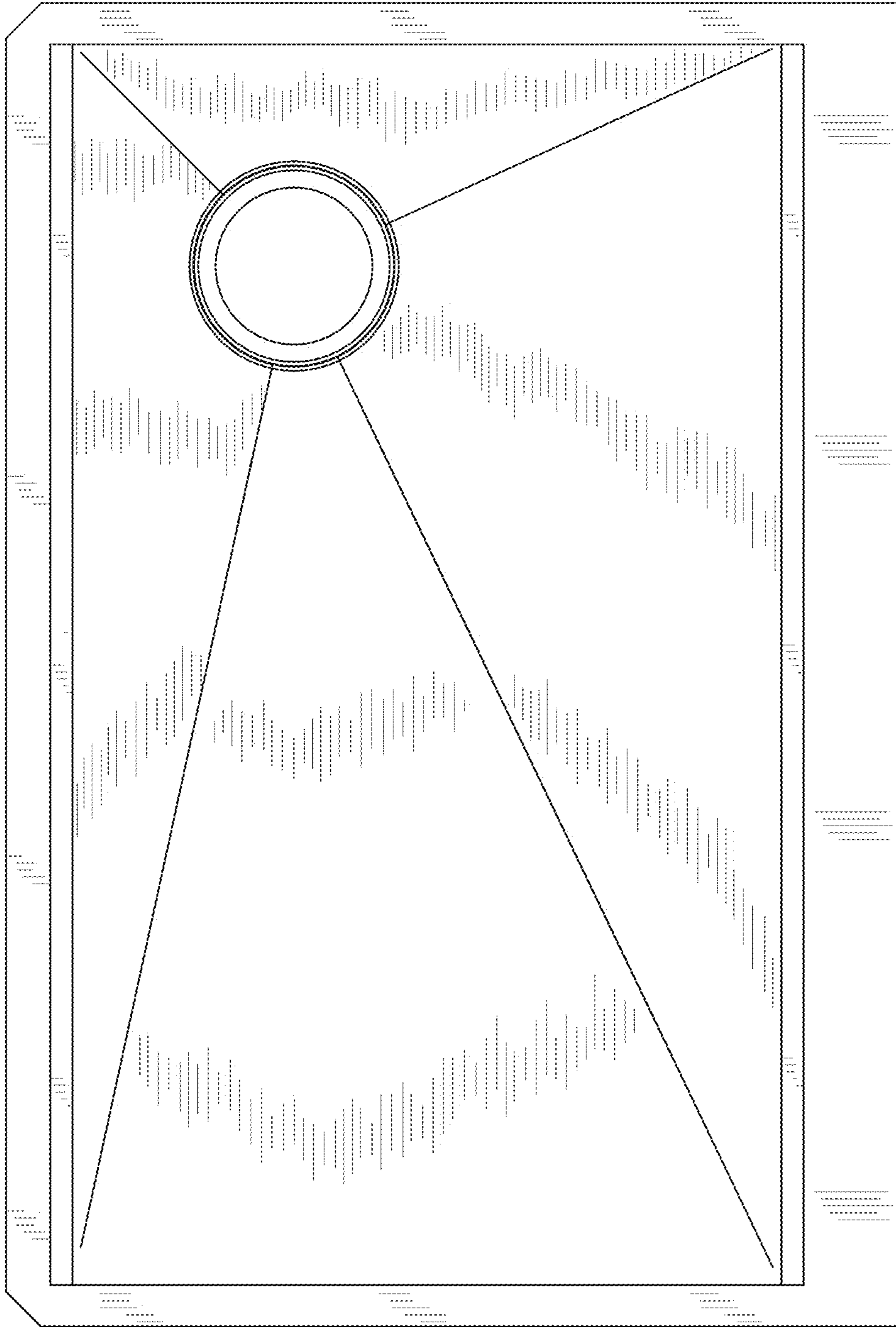


FIG. 3

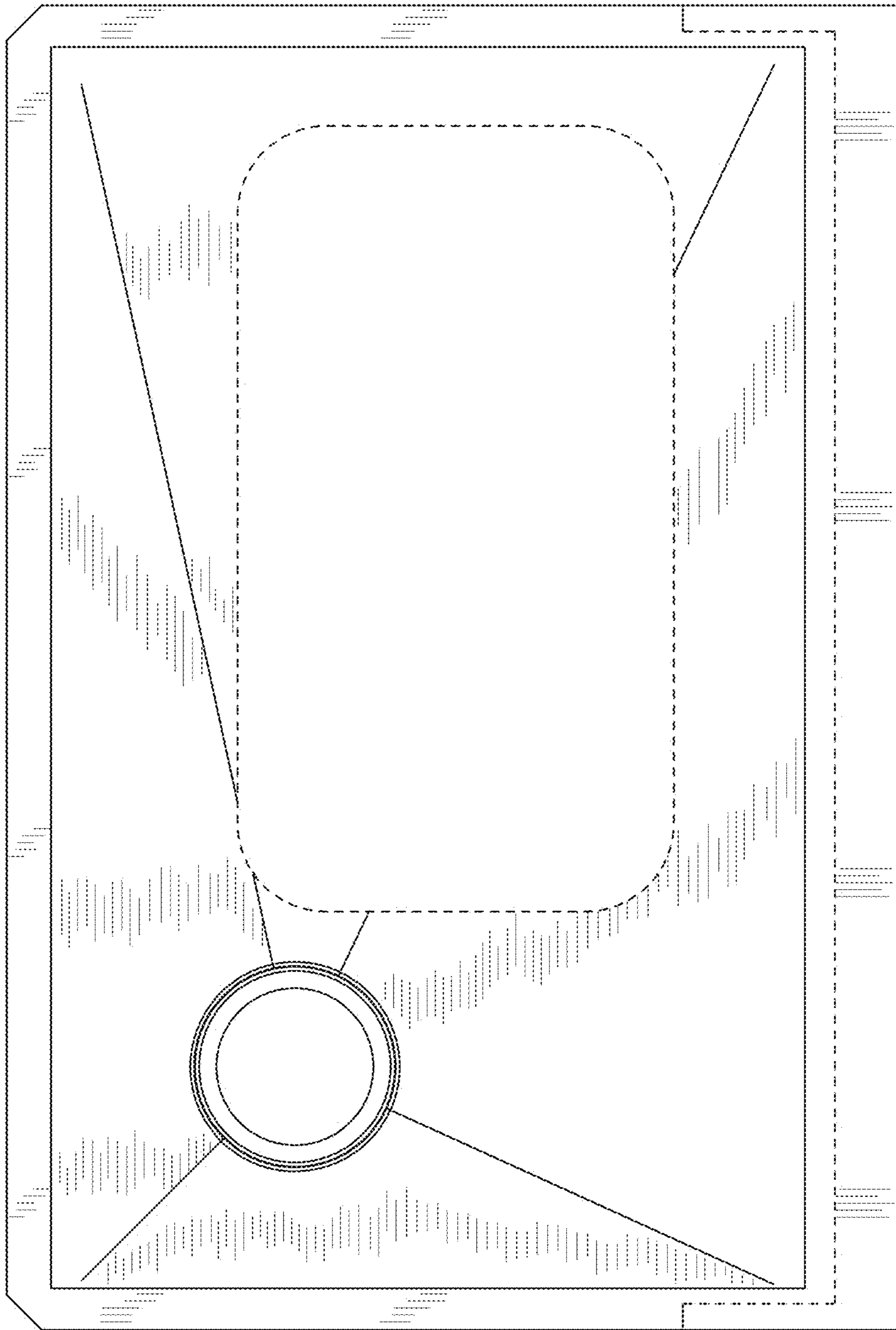


FIG. 4

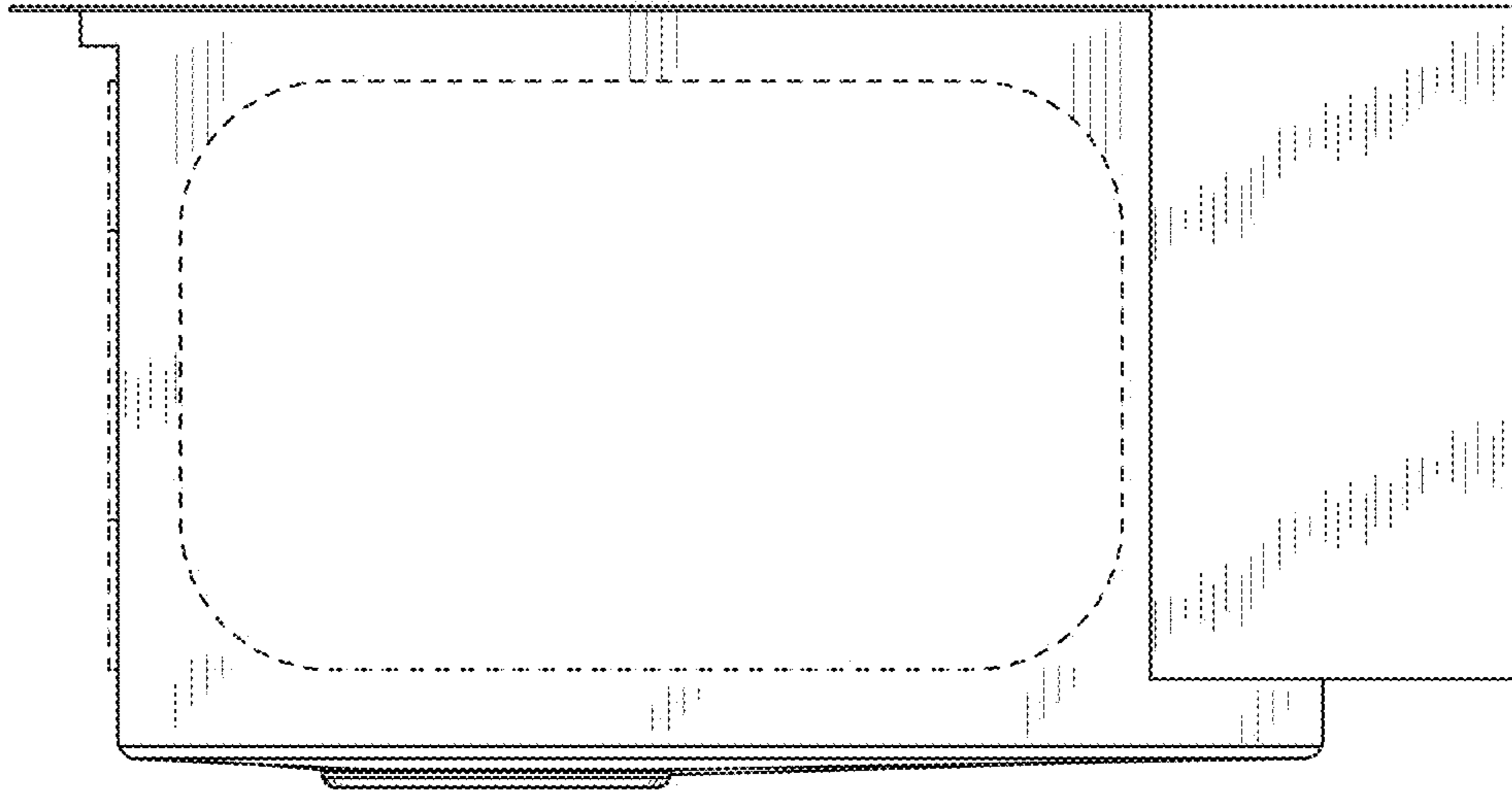


FIG. 5

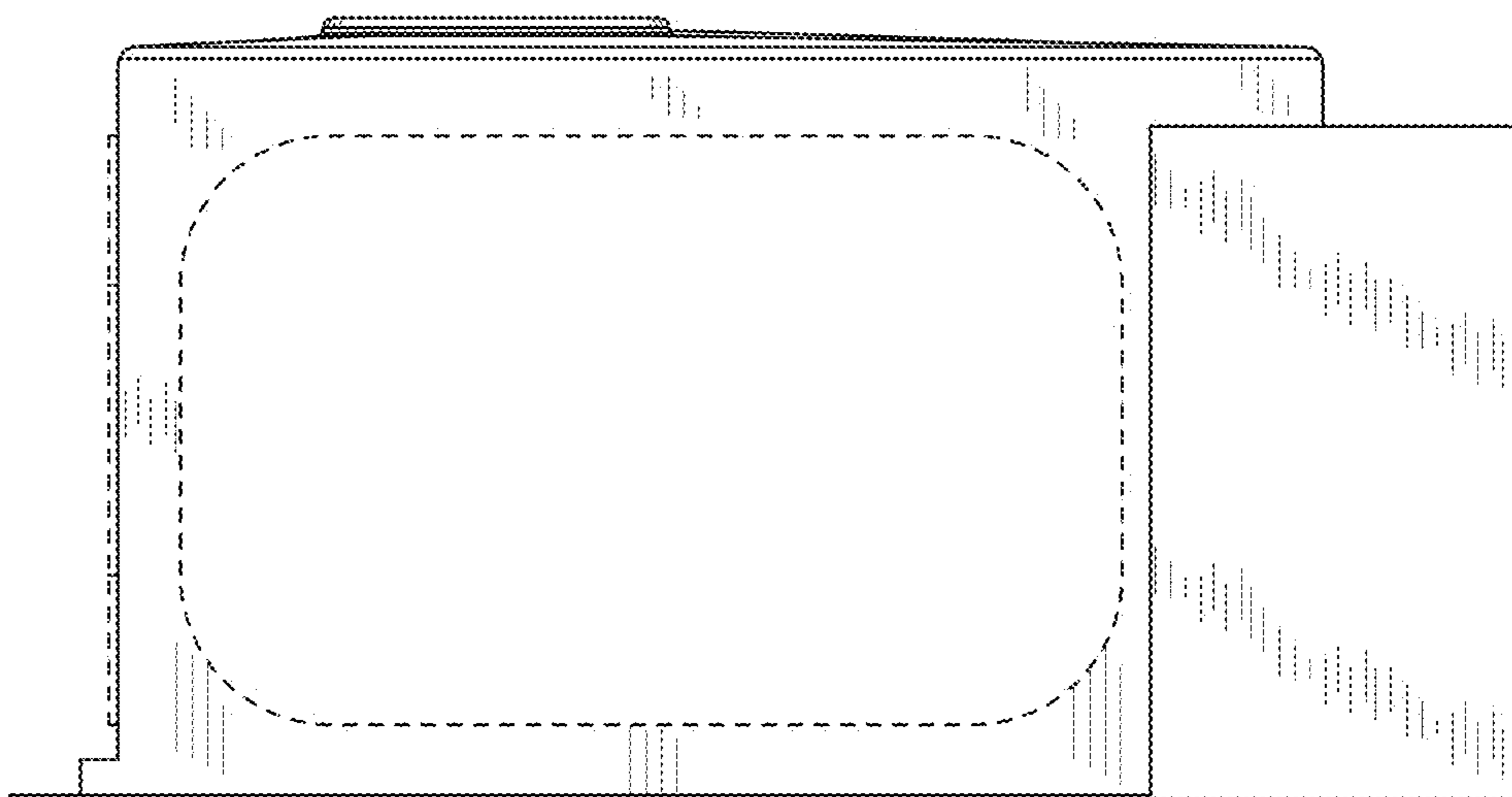


FIG. 6