



US00D939673S

(12) **United States Design Patent** (10) **Patent No.:** **US D939,673 S**
Du (45) **Date of Patent:** **** Dec. 28, 2021**

(54) **CONNECTIVE WATER PIPE**

(71) Applicant: **Wen Du**, Xuzhou (CN)

(72) Inventor: **Wen Du**, Xuzhou (CN)

(**) Term: **15 Years**

(21) Appl. No.: **29/774,784**

(22) Filed: **Mar. 19, 2021**

(51) **LOC (13) Cl.** **23-01**

(52) **U.S. Cl.**
USPC **D23/266**

(58) **Field of Classification Search**
USPC D23/259, 266, 262; 138/28, 108-109,
138/118, 118.1, 129, 137, 172-174, 121,
138/173; 285/417-419; D27/162-164,
D27/167, 169, 194; 131/173

See application file for complete search history.

(56) **References Cited**

U.S. PATENT DOCUMENTS

D379,404 S *	5/1997	Spelts	D23/266
D479,741 S *	9/2003	Chiu	D23/266
D586,435 S *	2/2009	Reckseen	D23/266
D645,200 S	9/2011	Desvall	
D671,196 S *	11/2012	Montalvo	D23/266
D707,334 S *	6/2014	Hernandez	D23/266
D754,392 S	4/2016	Helou	
D873,391 S *	1/2020	Xie	D23/266
D877,974 S	3/2020	Tucci	
D884,841 S *	5/2020	Drew	D23/266
D888,205 S *	6/2020	Fang	D23/266
D891,589 S *	7/2020	Mishan	D23/266
2004/0031531 A1 *	2/2004	Chiu	F16L 11/12 138/109
2011/0303317 A1 *	12/2011	Montalvo	F16L 11/112 138/129

2013/0213514 A1 *	8/2013	Berardi	F16L 11/04 138/109
2018/0195648 A1 *	7/2018	Yeiser	F16L 27/04
2019/0242502 A1 *	8/2019	Pan	F16L 57/02
2019/0323636 A1 *	10/2019	Dai	B32B 5/18
2021/0025537 A1 *	1/2021	Dai	F16L 27/12

OTHER PUBLICATIONS

Titan 150 ft. Garden Hose with Brass Fittings; Amazon First Available Date Feb. 18, 2020; Visited Online May 7, 2021; https://www.amazon.com/Titan-150FT-Garden-Hose-Expandable/dp/B084YPVZ2C?ref_ast_slp_dp&th=1 (Year: 2020).*

* cited by examiner

Primary Examiner — Amy C Wierenga

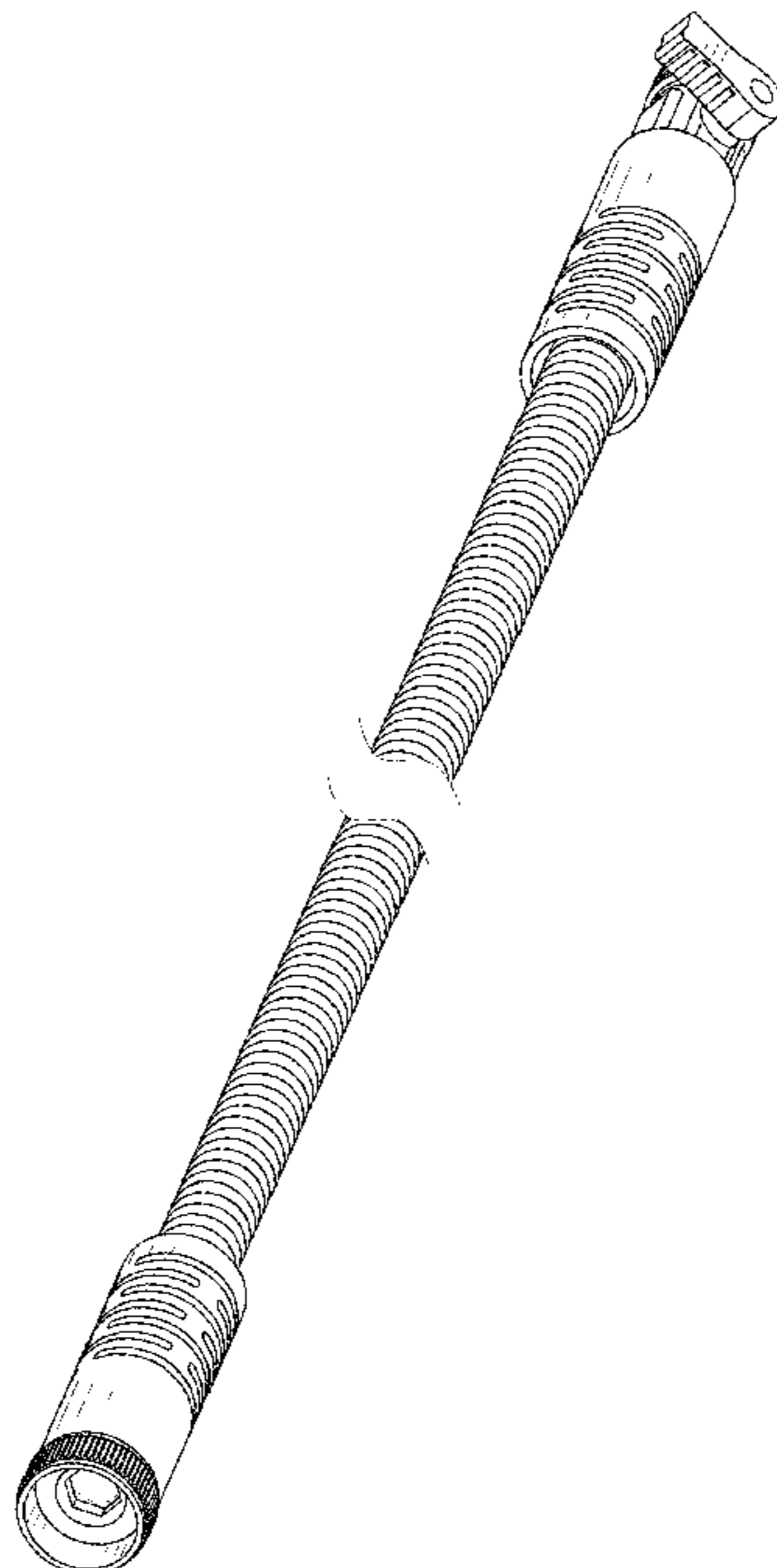
(57) **CLAIM**

The ornamental design for a connective water pipe, as shown and described.

DESCRIPTION

FIG. 1 is a first perspective view of a connective water pipe showing my new design;
FIG. 2 is a second perspective view thereof;
FIG. 3 is a front view thereof;
FIG. 4 is a back view thereof;
FIG. 5 is a left side view thereof;
FIG. 6 is a right side view thereof;
FIG. 7 is a top view thereof; and,
FIG. 8 is a bottom view thereof.
The broken lines shown in the drawings depict portions of the connective water pipe in which the design is embodied that form no part of the claimed design.

1 Claim, 8 Drawing Sheets



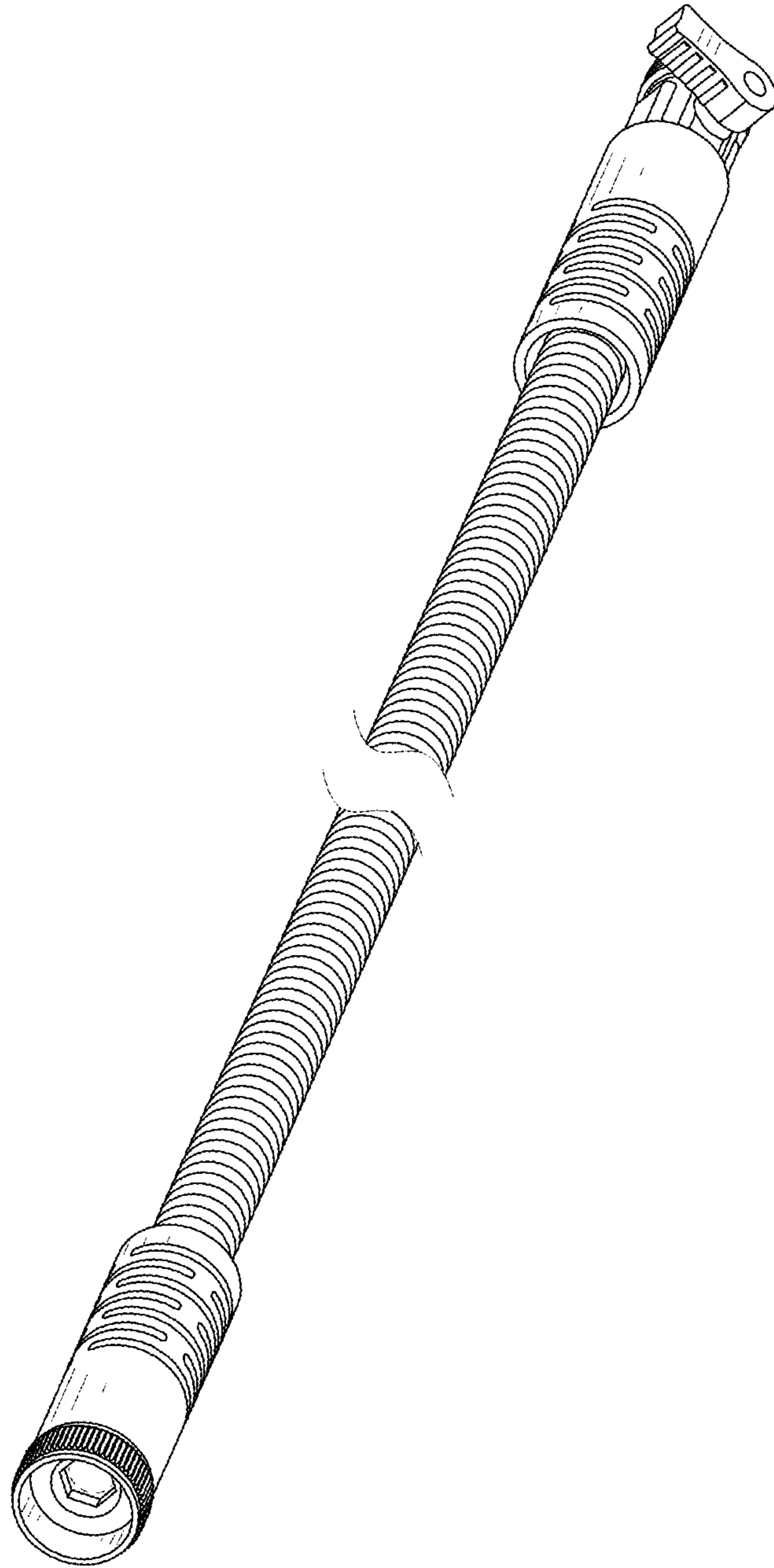


FIG. 1

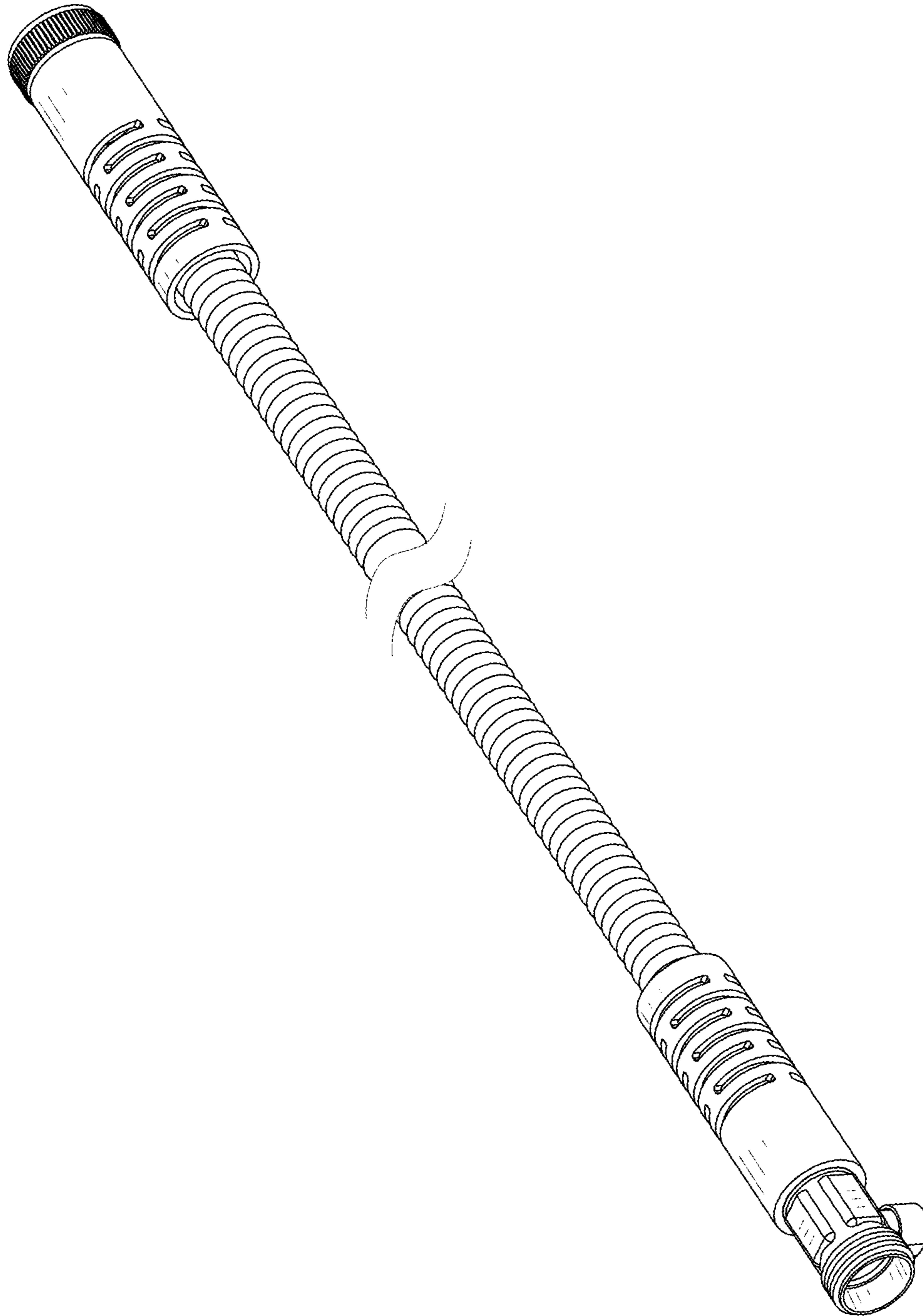


FIG. 2

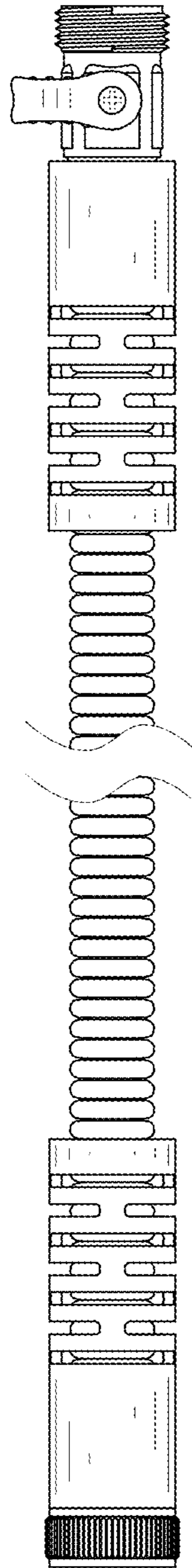


FIG. 3

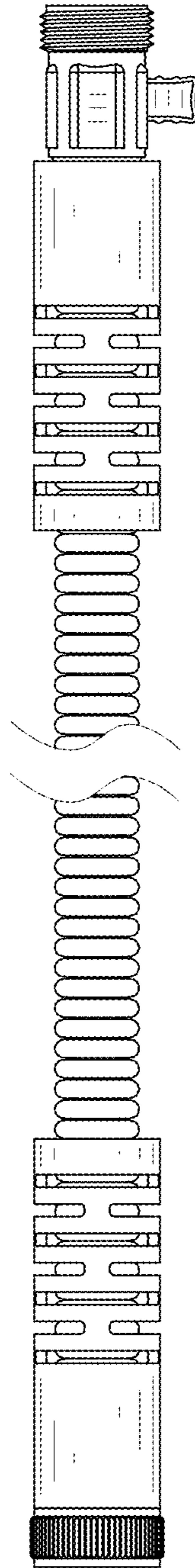


FIG. 4

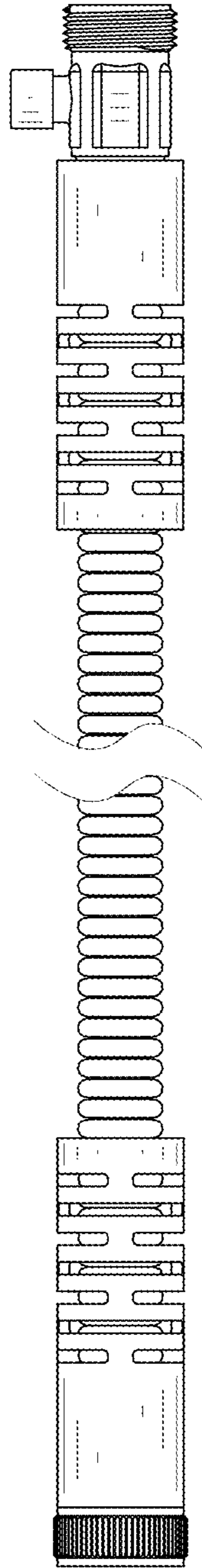


FIG. 5

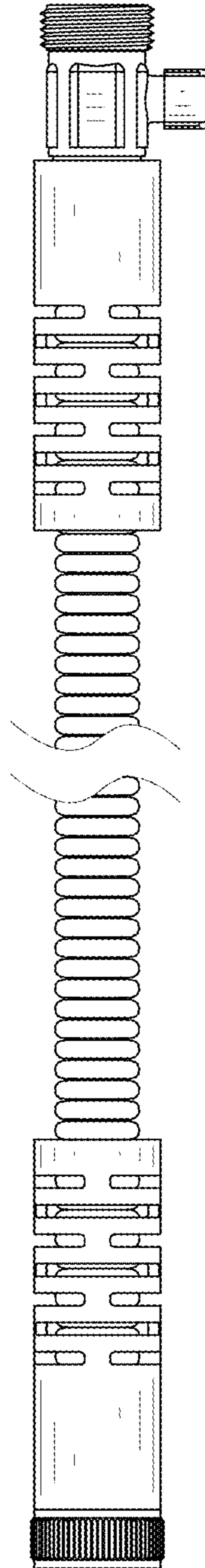


FIG. 6

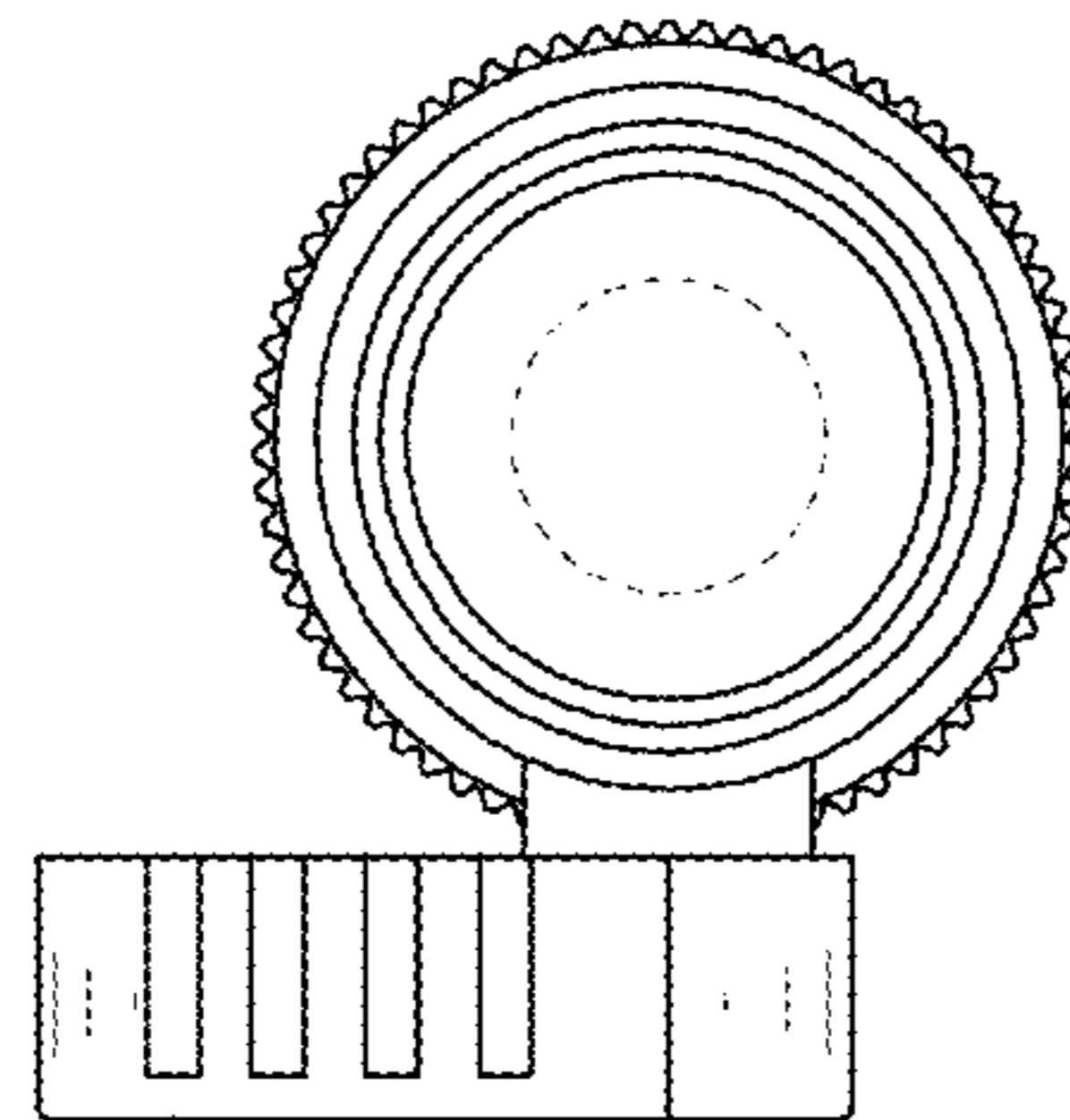


FIG. 7

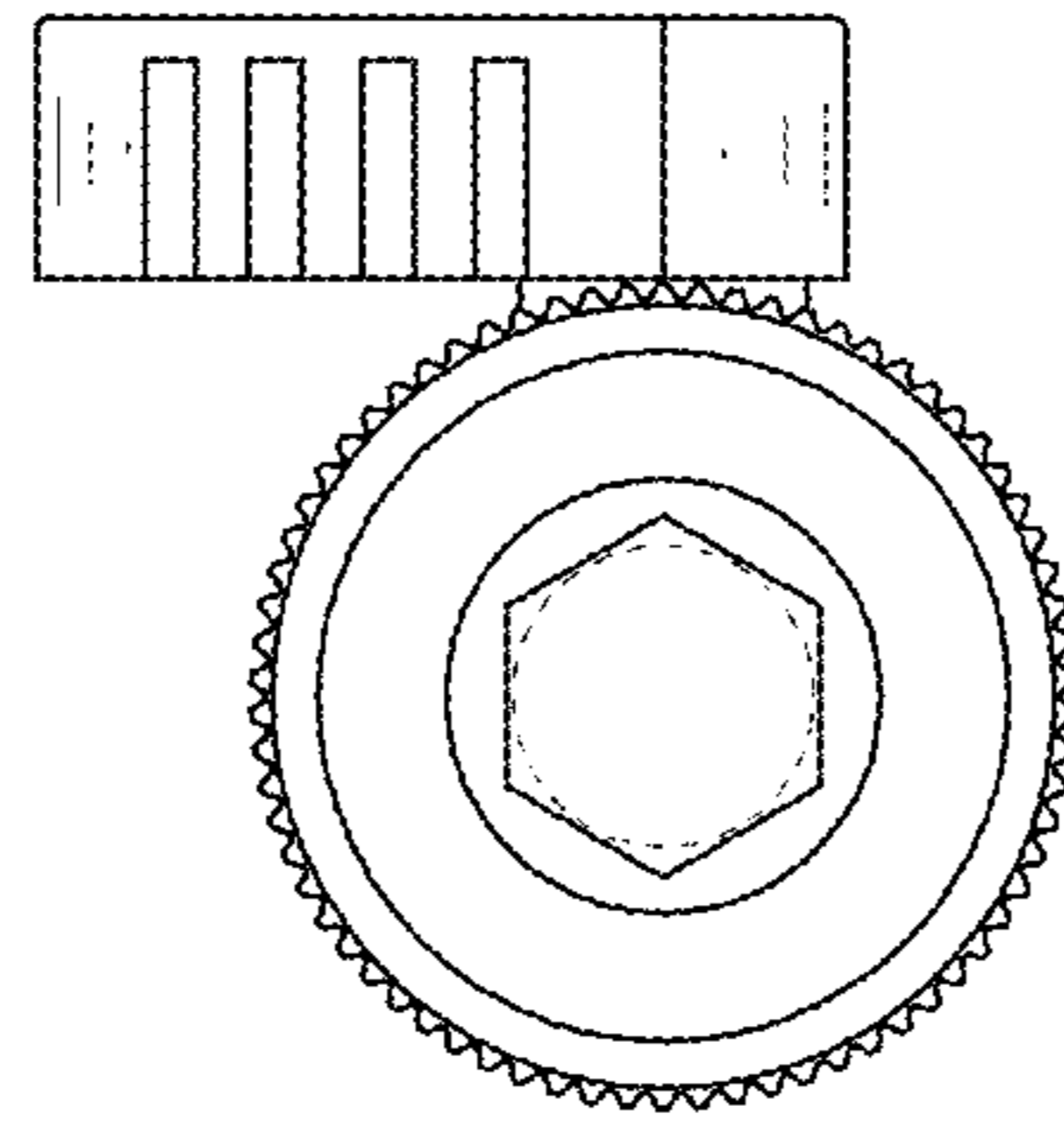


FIG. 8