



US00D939672S

(12) **United States Design Patent**
Duncan et al.

(10) **Patent No.:** **US D939,672 S**

(45) **Date of Patent:** **** Dec. 28, 2021**

(54) **COUPLING**

(71) Applicant: **Aalberts integrated piping systems Americas, Inc.**, Matthews, NC (US)

(72) Inventors: **Patrick W. Duncan**, Marshville, NC (US); **Daniel Foster**, Troutman, NC (US); **Jorden Hardzinski**, Peachland, NC (US); **Julie Howell**, Indian Trail, NC (US); **Matthew Williams**, Charlotte, NC (US); **Phillip Yontz**, Rock Hill, SC (US)

(73) Assignee: **Aalberts integrated piping systems APAC Inc.**, Pintung (TW)

(**) Term: **15 Years**

(21) Appl. No.: **29/747,367**

(22) Filed: **Aug. 21, 2020**

Related U.S. Application Data

(63) Continuation of application No. 16/852,989, filed on Apr. 20, 2020.

(51) **LOC (13) Cl.** **23-01**

(52) **U.S. Cl.**
USPC **D23/262**

(58) **Field of Classification Search**
USPC D23/259, 262–265; D8/394–396;
285/411
See application file for complete search history.

(56) **References Cited**

U.S. PATENT DOCUMENTS

29,731 A	8/1860	Truss
3,251,615 A	5/1966	Short, III
3,362,730 A	1/1968	Clair et al.
3,423,111 A	1/1969	Elsner
4,311,248 A	1/1982	Westerlund et al.

4,471,979 A	9/1984	Gibb et al.	
4,702,499 A	10/1987	Deraymond et al.	
5,207,459 A	5/1993	Glover	
5,375,888 A	12/1994	Ikeda	
5,904,325 A	5/1999	Hung	
6,095,197 A	8/2000	Kane	
6,170,884 B1 *	1/2001	McLennan	F16L 17/04 285/112
6,227,577 B1	5/2001	Ikeda et al.	

(Continued)

FOREIGN PATENT DOCUMENTS

AR	095474 A1	10/2015
CN	2352801 Y	12/1999

(Continued)

OTHER PUBLICATIONS

“A New Pipeline Connection Technology—A Hoop Connection, Chinese Academic Journal Electronic”, vol. 164, Jun. 2000, 5 pages.
(Continued)

Primary Examiner — Amy C Wierenga

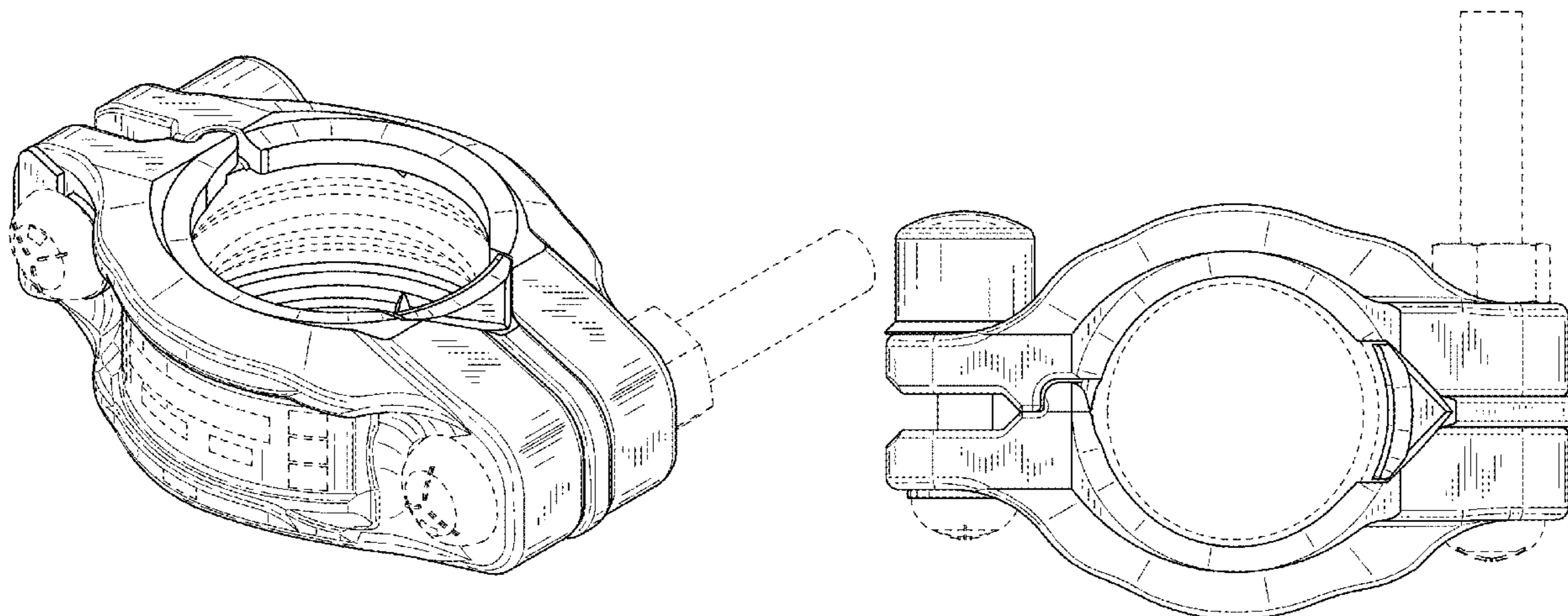
(57) **CLAIM**

The ornamental design for a coupling, as shown and described.

DESCRIPTION

FIG. 1 is a perspective view of a coupling;
FIG. 2 is a front view thereof;
FIG. 3 is a rear view thereof;
FIG. 4 is a right side view thereof;
FIG. 5 is a left side view thereof;
FIG. 6 is top plan view thereof; and,
FIG. 7 is a bottom plan view thereof.
The broken lines shown in the drawings illustrate portions of the coupling that form no part of the claim.

1 Claim, 5 Drawing Sheets



(56)

References Cited

U.S. PATENT DOCUMENTS

6,626,466 B1 * 9/2003 Dole F16L 17/04
285/112

6,945,569 B1 9/2005 Diaz et al.

7,086,131 B2 8/2006 Gibb et al.

7,207,606 B2 4/2007 Owen et al.

7,296,451 B2 11/2007 Dole

D583,914 S * 12/2008 Pierce D23/262

7,510,033 B2 3/2009 Lutzhoeft et al.

7,516,636 B2 * 4/2009 Dole B21D 17/04
72/105

D605,736 S * 12/2009 Porter D23/262

7,665,773 B2 2/2010 Jones et al.

7,712,796 B2 5/2010 Gibb et al.

D629,072 S * 12/2010 Madara D23/262

D629,074 S * 12/2010 Shah D23/262

D629,078 S * 12/2010 Dole D23/262

7,921,536 B2 4/2011 Dole

7,950,701 B2 5/2011 Dole et al.

8,177,263 B2 5/2012 Dole et al.

8,282,136 B2 10/2012 Vandal et al.

8,312,616 B2 11/2012 Dole et al.

8,424,918 B2 * 4/2013 Gibb F16L 21/065
285/112

8,517,430 B2 8/2013 Dole et al.

8,550,502 B2 10/2013 Vandal et al.

8,615,865 B2 12/2013 Vandal et al.

8,621,741 B2 1/2014 Hagiya

8,646,165 B2 2/2014 Gibb et al.

8,646,814 B2 * 2/2014 Lippka F16L 17/04
285/421

8,733,799 B2 5/2014 Gibb et al.

RE45,304 E 12/2014 Dole et al.

8,905,440 B2 12/2014 Hagiya

8,979,138 B2 3/2015 Dole et al.

9,239,123 B2 1/2016 Vandal et al.

9,297,482 B2 3/2016 Vandal et al.

9,500,307 B2 11/2016 Beagen, Jr.

9,534,715 B2 1/2017 Beagen, Jr.

9,726,310 B2 8/2017 Gibb et al.

9,746,119 B2 8/2017 Hagiya

9,770,796 B2 9/2017 Hagiya

D819,435 S * 6/2018 Bancroft D8/396

D820,074 S * 6/2018 Huettemann D8/394

10,036,493 B2 7/2018 Vandal et al.

10,047,885 B2 8/2018 Vandal et al.

10,458,579 B2 10/2019 Bowman et al.

10,627,025 B2 4/2020 Bowman et al.

11,060,639 B2 * 7/2021 Cuvo F16L 23/024

2002/0014772 A1 2/2002 Amedure et al.

2002/0050363 A1 5/2002 Hagiya

2011/0146049 A1 6/2011 Hagiya

2011/0154646 A1 6/2011 Hagiya

2014/0096361 A1 4/2014 Hagiya

2015/0300549 A1 10/2015 Cheng-Sheng et al.

2015/0345679 A1 12/2015 Hagiya

2016/0040816 A1 2/2016 Cheng-Sheng et al.

2017/0328500 A1 11/2017 Bowman et al.

FOREIGN PATENT DOCUMENTS

CN 2374723 Y 4/2000

CN 2556454 Y 6/2003

CN 2597805 Y 1/2004

CN 1701196 A 11/2005

CN 1813150 A 8/2006

CN 1860323 A 11/2006

CN 1932363 A 3/2007

CN 201521732 U 7/2010

EP 0352018 A1 1/1990

EP 0398471 A1 11/1990

EP 0794379 A1 9/1997

EP 0926414 A2 6/1999

EP 2971924 A1 1/2016

GB 2189000 A 10/1987

GB 2229245 A 9/1990

GB 2355293 A 4/2001

JP 59-42389 U 3/1984

JP 62-30084 A 2/1987

JP 2003-42360 A 2/2003

TW 013650 9/1973

TW 069339 8/1985

TW 075044 2/1986

TW 093483 11/1987

TW 177610 1/1992

TW 233749 11/1994

TW 263044 11/1995

TW 302063 U 4/1997

TW 359735 B 6/1999

TW 360356 U 6/1999

TW 375232 U 11/1999

TW 383828 U 3/2000

TW 420269 U 1/2001

TW 453414 U 9/2001

TW 461945 B 11/2001

TW 463021 B 11/2001

TW 509302 U 11/2002

TW 521136 B 2/2003

TW 576136 U 2/2004

TW M245346 U 10/2004

TW I227310 B 2/2005

TW 200600711 A 1/2006

TW 200606365 A 2/2006

TW 200606366 A 2/2006

TW 200607947 A 3/2006

TW 200607948 A 3/2006

TW 200712366 A 4/2007

TW M376675 U 3/2010

TW 201111671 A 4/2011

WO 2014/151076 A1 9/2014

OTHER PUBLICATIONS

File History of Reexam 90/012,060, filed Dec. 16, 2011 (now U.S. Pat. No. 7,950,701 C1, granted Sep. 4, 2012), 274 pages.

“File History of U.S. Appl. No. 13/415,086”, Dec. 30, 2014, 406 pages.

IPR2016-00276 (U.S. Pat. No. 8,733,799) *Tyco Fire Products LP v. Victaulic Co.*, 268 pages.

IPR2016-00278 (U.S. Pat. No. 8,646,165), *Tyco Fire Products LP v. Victaulic Co.*, 368 pages.

IPR2016-00279 (U.S. Pat. No. 8,646,165) *Tyco Fire Products LP v. Victaulic Co.*, 360 pages.

Pipeline Connection Sealing Device, Chinese Academic Journal Electronic, Sep. 2000, 2 pages.

Shurjoint Piping Products, 2006 General Catalog, 2006, 9 pages.

Shurjoint Piping Products General Catalog, 2005, 3 pages.

Shurjoint Product Catalog, 2018, 5 pages.

Tyco Fire Building Products, Grinnell Mechanical Products, 2008, 11 pages.

Tyco Fire Building Products, Grinnell 2007—Grooved Fire Protection Installation Manual, IH-1000FP, Aug. 2007, 11 pages.

Victaulic Brochure, 5 pages.

Victaulic Product Catalog (English Translation), 10 pages.

Victaulic, “Couplings and Fittings for JIS Pipe”, JIS Steel Pipe Grooved Couplings and Fittings, Jun. 17, 2002, 4 pages.

Victaulic, “Gasket Selection Guide”, Revised Jun. 2001, 3 pages.

Victaulic, “IPS Carbon Steel Pipe Grooved Couplings”, Apr. 6, 1999, 2 pages.

Victaulic, “Plain End Piping System for High Density Polyethylene Pipe”, IPS High Density Poly. Pipe—Plain End Pipin G System, Jan. 19, 1997, 1 page.

Victaulic, “Style 005 Firelock Rigid Coupling”, IPS Carbon Steel Pipe Fire Protection Products, Feb. 10, 1999, 2 pages.

Victaulic, “Style 22 Vic-Ring® Coupling”, Vic-Ring—Applied Ring System, Feb. 16, 2005, 2 pages.

Victaulic, “Style 44 Vic-Ring® Coupling”, Vic-Ring—Applied Ring System, May 16, 2005, 3 pages.

Victaulic, “Style 995 Coupling for HDPE Pipe”, IPS High Density Poly. Pipe—Plain End Piping System, Feb. 19, 2001, 2 pages.

(56)

References Cited

OTHER PUBLICATIONS

Victaulic Co. v., “Andrei Iancu 2017-2424, 2017-2426”, Nov. 29, 2018, 11 pages.

Victaulic, “Anatomy of a Grooved Pipe Joint”, Jan. 4, 2005, 4 pages.

Victaulic, “Coupling for Copper Tubing Style 606”, CTS Copper Tubing—Grooved Couplings, Feb. 22, 2006, 4 pages.

Victaulic, “Roll Grooved Pipe Technical Data”, Grooved Piping System—Design Data, Aug. 26, 2009, 4 pages.

* cited by examiner

FIG. 1

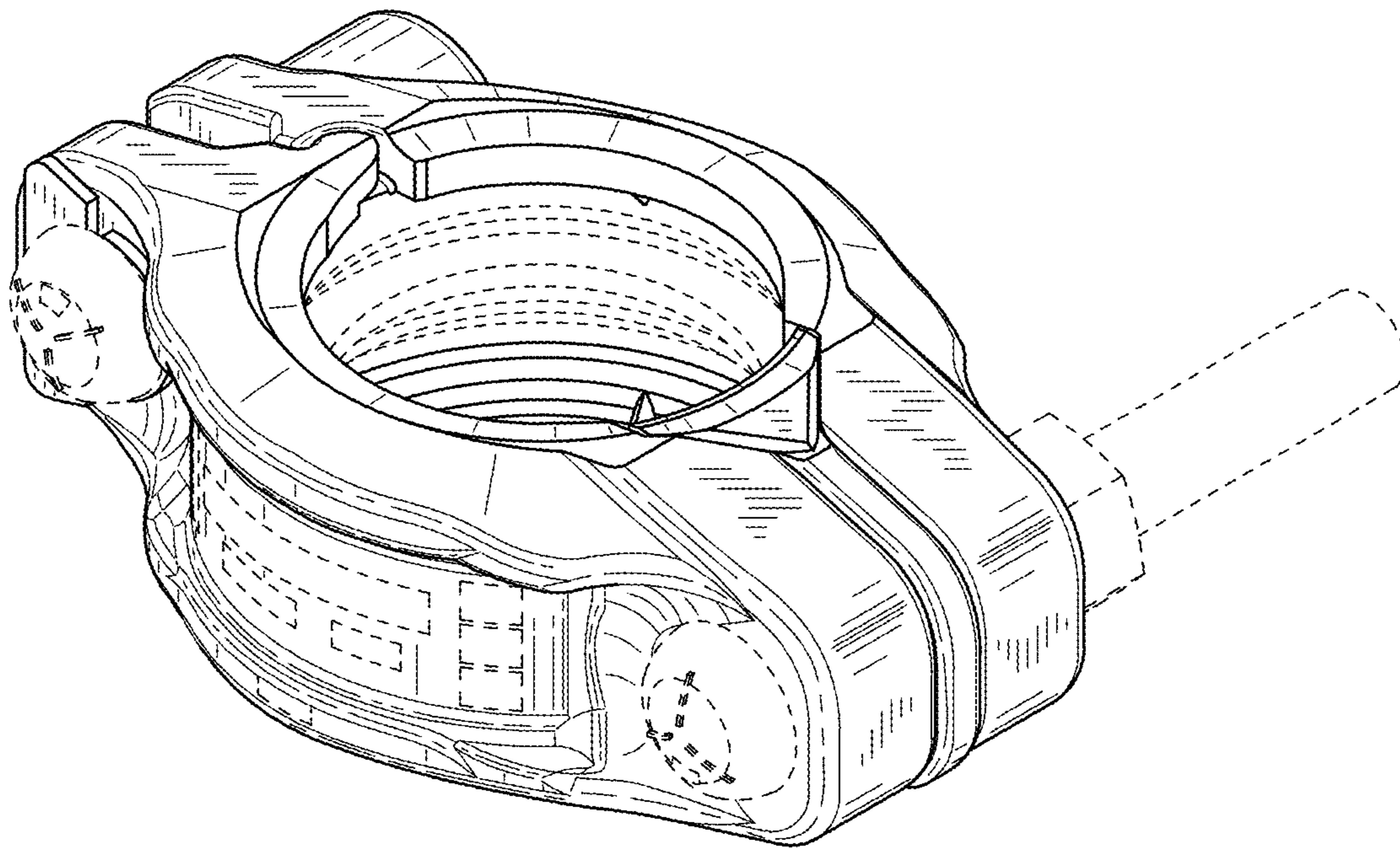


FIG. 2

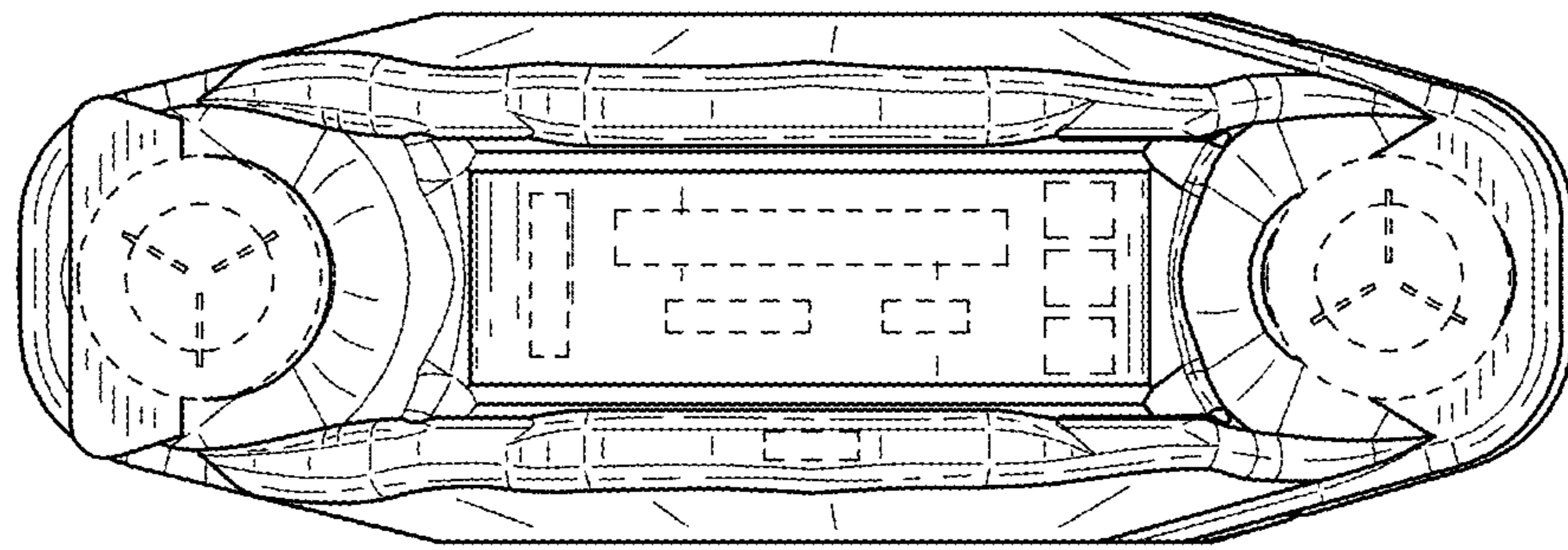


FIG. 3

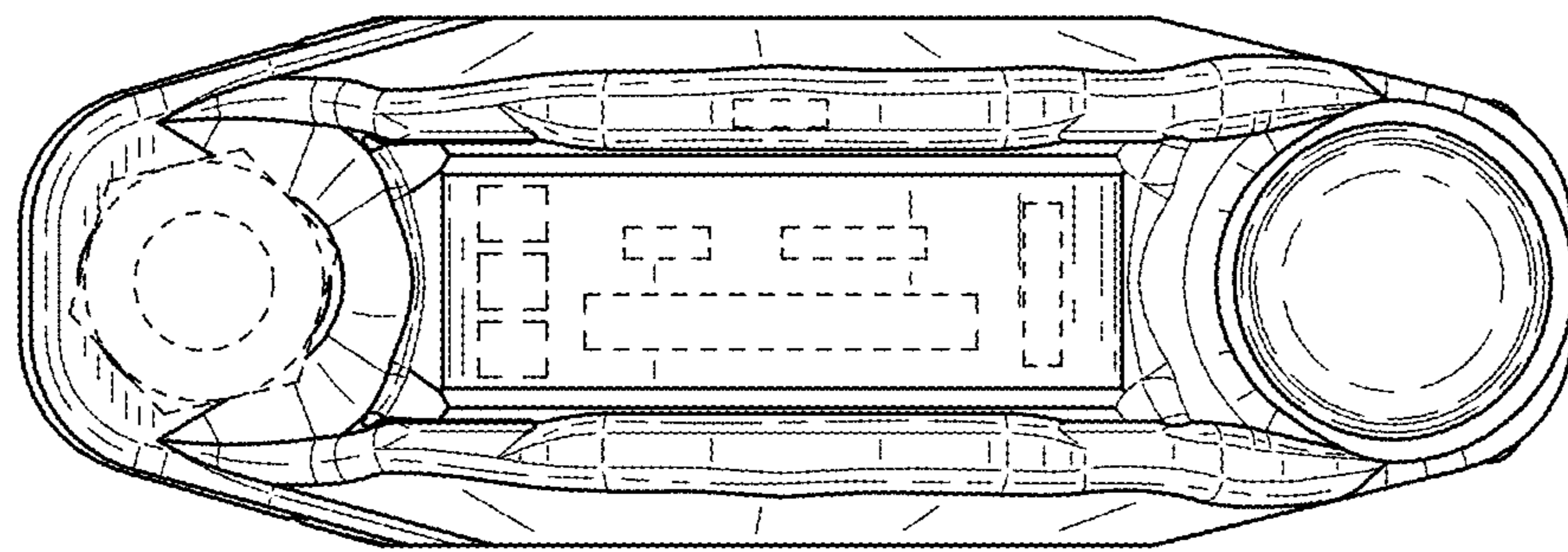


FIG. 4

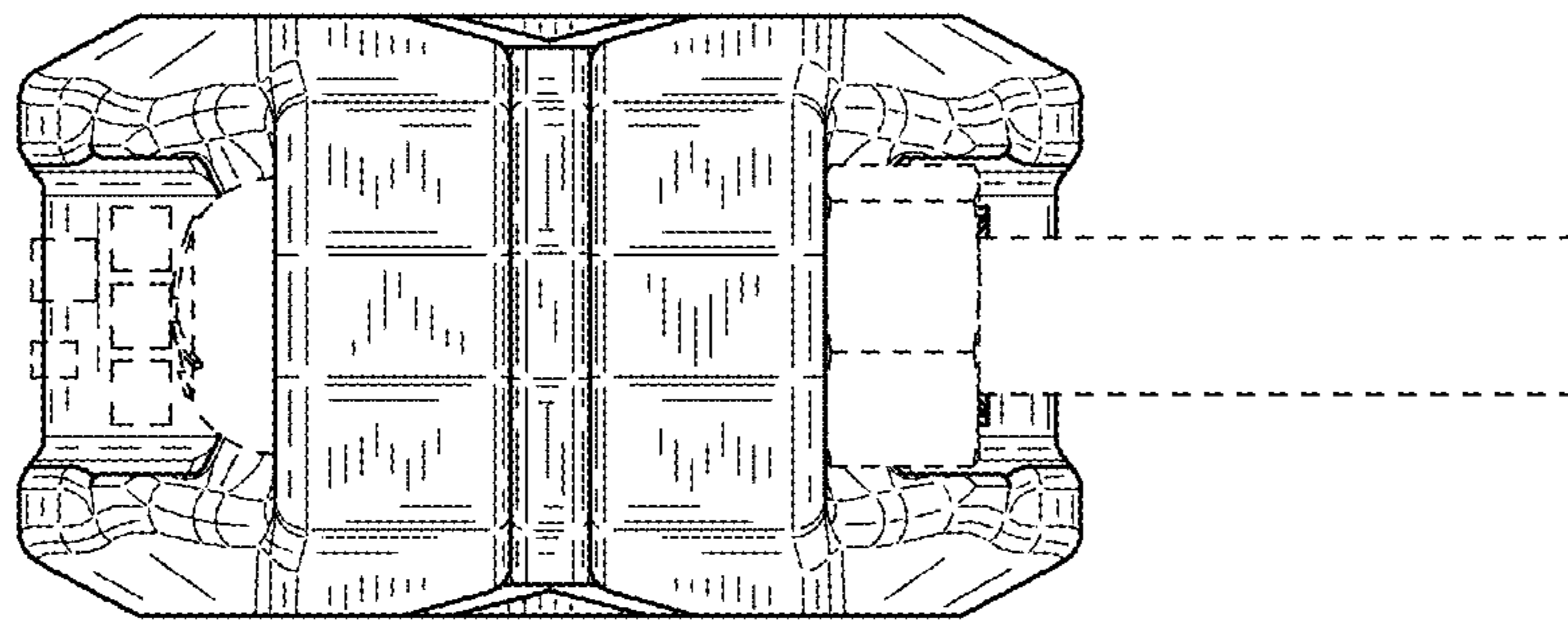


FIG. 5

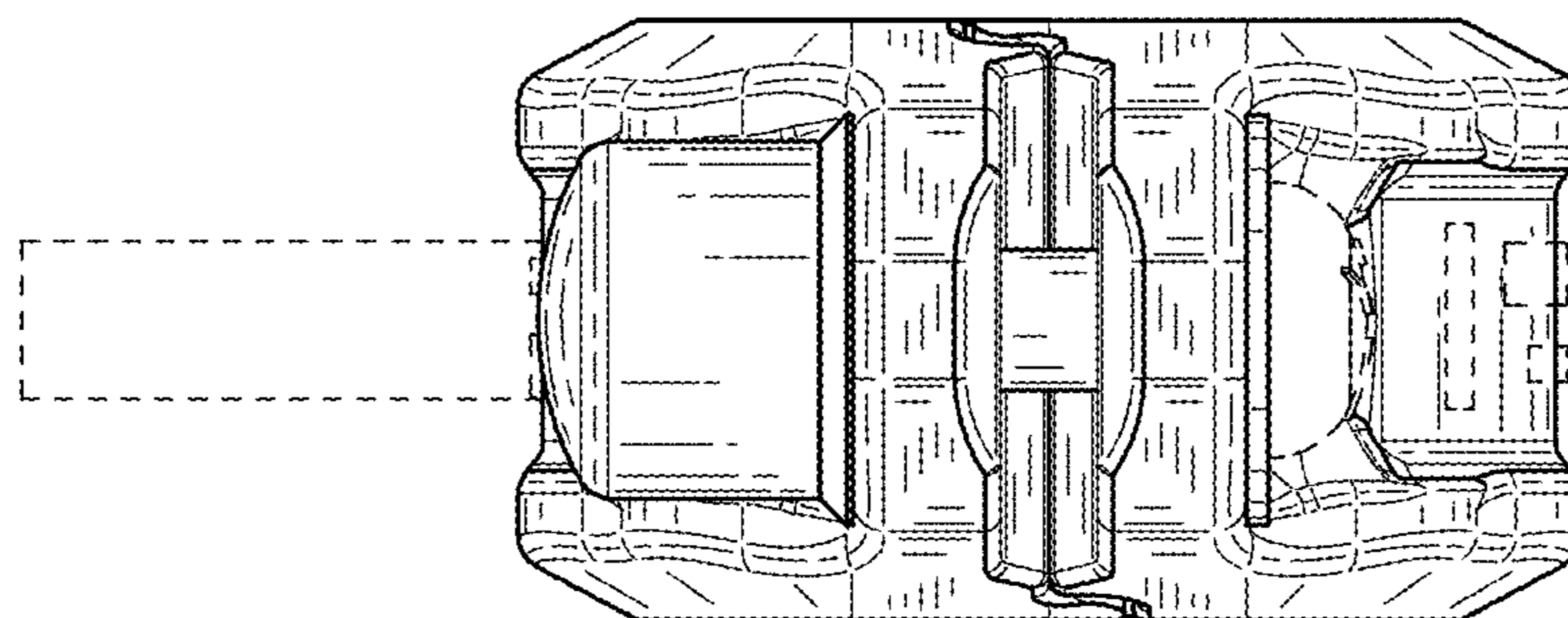


FIG. 6

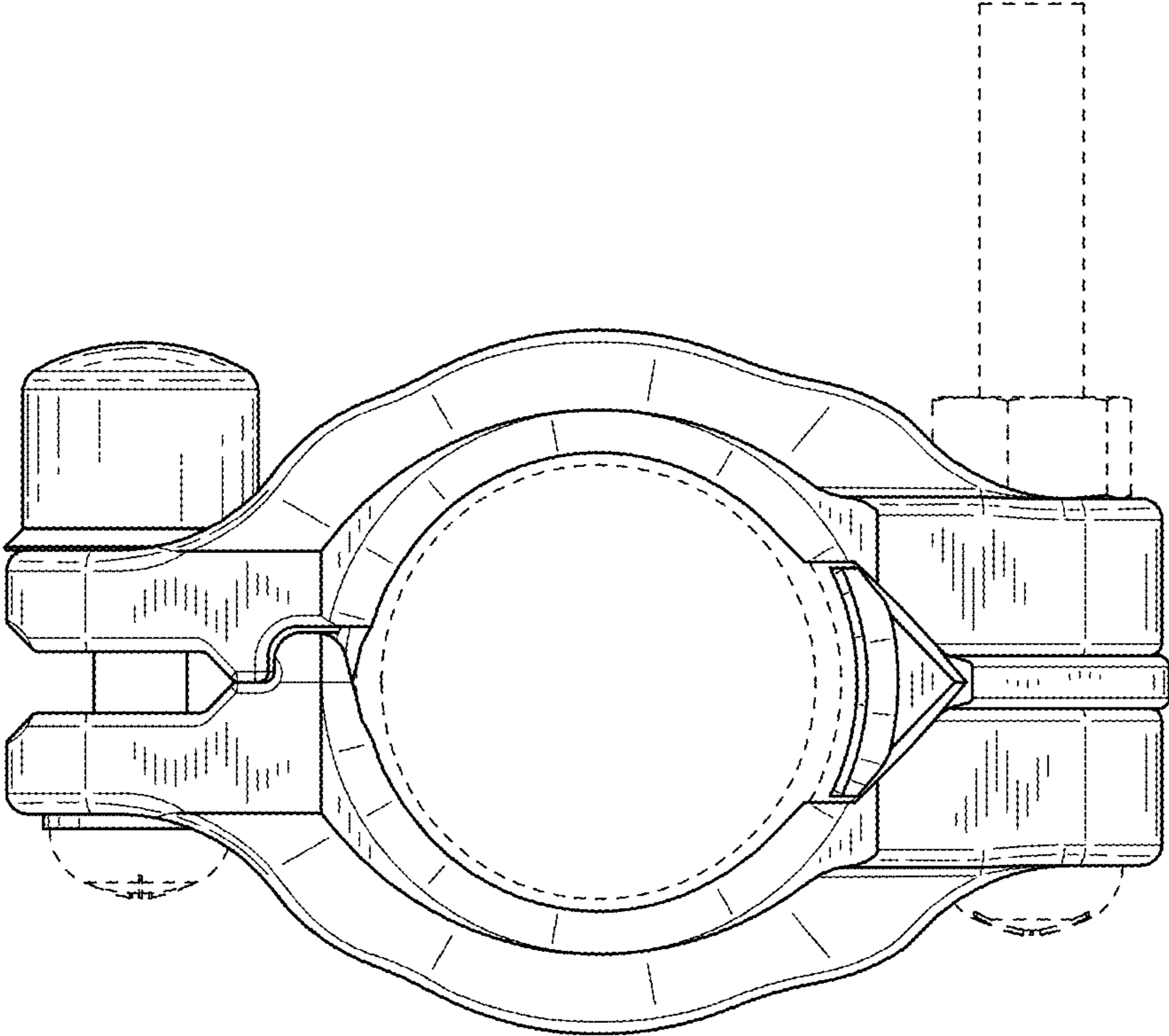


FIG. 7

