



US00D939671S

(12) **United States Design Patent**  
**Charest**

(10) **Patent No.:** **US D939,671 S**

(45) **Date of Patent:** **\*\* Dec. 28, 2021**

(54) **HOSE COUPLING GUARD**  
(71) Applicant: **Arkema Inc.**, King of Prussia, PA (US)  
(72) Inventor: **Sylvain Charest**, Quebec (CA)  
(73) Assignee: **Arkema Inc.**, King of Prussia, PA (US)  
(\*\*) Term: **15 Years**

D347,991 S \* 6/1994 Barritt ..... D8/356  
5,402,830 A \* 4/1995 Dortzbach ..... F16L 7/00  
138/110  
D422,961 S \* 4/2000 Huckaby ..... D12/223  
D432,977 S \* 10/2000 Land ..... D12/223  
D462,254 S \* 9/2002 Wright ..... B65H 75/366  
D8/356  
D473,128 S \* 4/2003 Costa ..... D8/396  
D697,592 S \* 1/2014 Hebert ..... D23/259  
D753,468 S \* 4/2016 Weger ..... D8/356  
D808,775 S \* 1/2018 Ruddick ..... D8/356

(21) Appl. No.: **29/720,638**  
(22) Filed: **Jan. 15, 2020**  
(51) **LOC (13) Cl.** ..... **23-01**  
(52) **U.S. Cl.**  
USPC ..... **D23/259**  
(58) **Field of Classification Search**  
USPC ..... D23/233, 249, 259, 262, 263-266, 393;  
D8/256, 396; 285/5, 7, 272-273, 127.1,  
285/133.4, 148.22, 190, 239, 334.5;  
251/148; 138/DIG. 4  
CPC . F16L 57/07; F16L 3/003; F16L 25/14; F16L  
43/00; F16L 9/18  
See application file for complete search history.

\* cited by examiner

*Primary Examiner* — Amy C Wierenga

(74) *Attorney, Agent, or Firm* — Steven D. Boyd

(57) **CLAIM**

The ornamental design for a hose coupling guard, as shown and described.

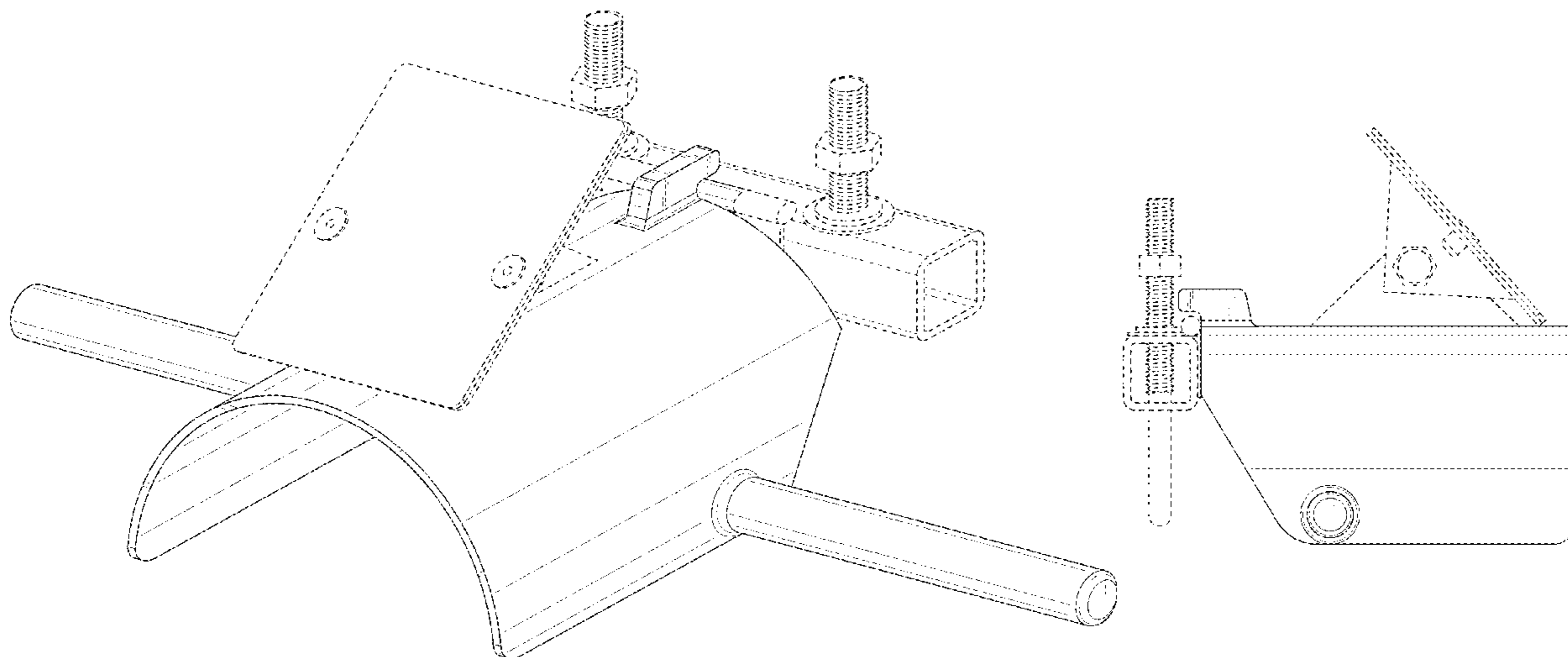
**DESCRIPTION**

FIG. 1 is a front perspective view of a hose coupling guard showing my new design;  
FIG. 2 is a front elevation view thereof;  
FIG. 3 is a rear elevation view thereof;  
FIG. 4 is a left elevation view thereof;  
FIG. 5 is a right elevation view thereof;  
FIG. 6 is a top plan view thereof; and,  
FIG. 7 is a bottom plan view thereof.

The broken lines in the drawings are for the purpose of illustrating unclaimed portions of the hose coupling guard and form no part of the claimed design.

**1 Claim, 7 Drawing Sheets**

(56) **References Cited**  
U.S. PATENT DOCUMENTS  
D31,688 S \* 10/1899 Johnston ..... D8/396  
3,296,674 A \* 1/1967 Meshulam ..... F16L 33/08  
24/274 R  
D243,488 S \* 3/1977 Linse ..... D8/356  
D252,496 S \* 7/1979 Double ..... D8/356



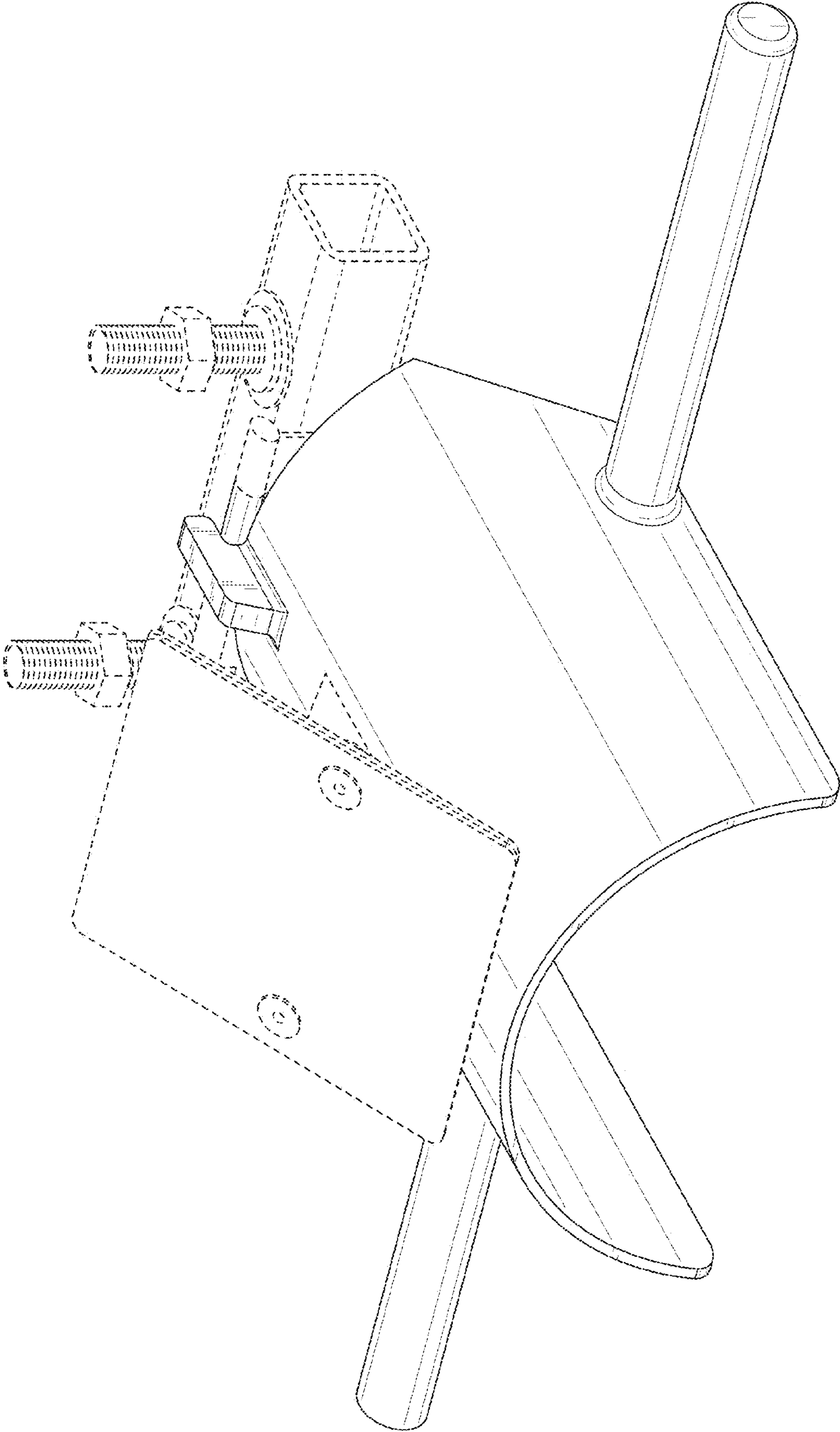


FIG. 1

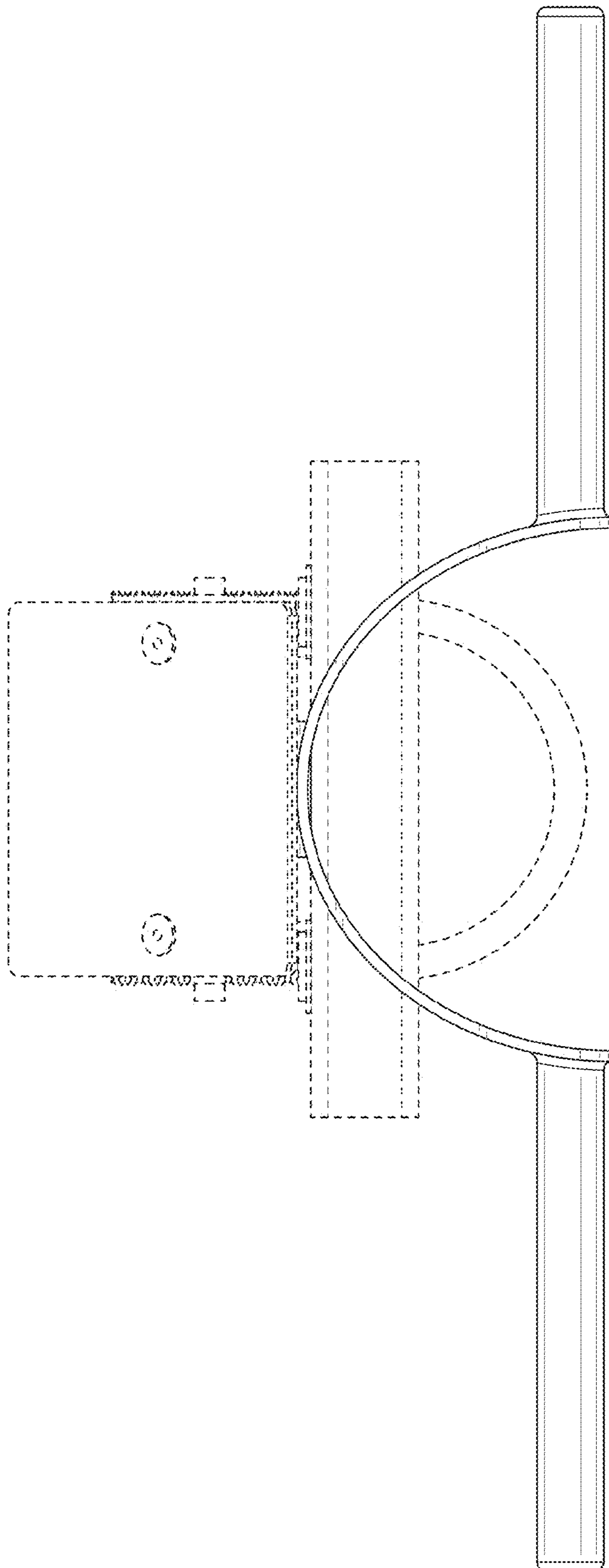


FIG. 2

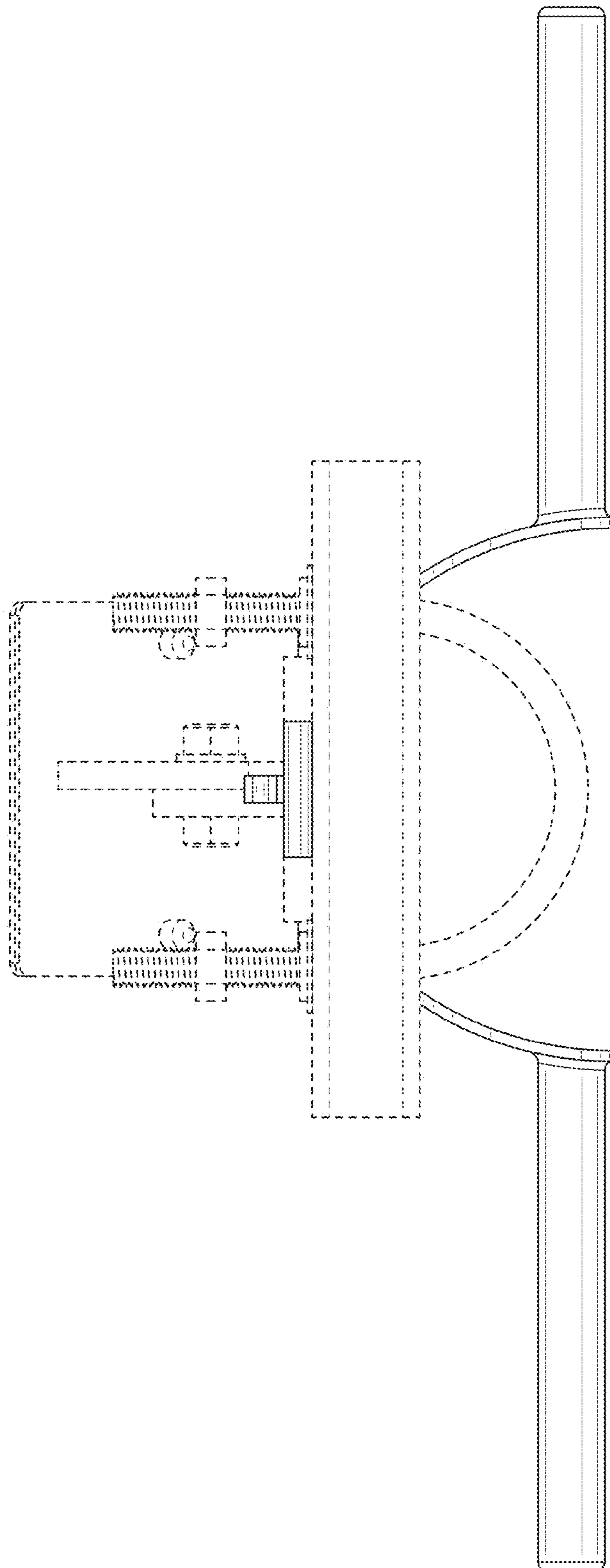


FIG. 3

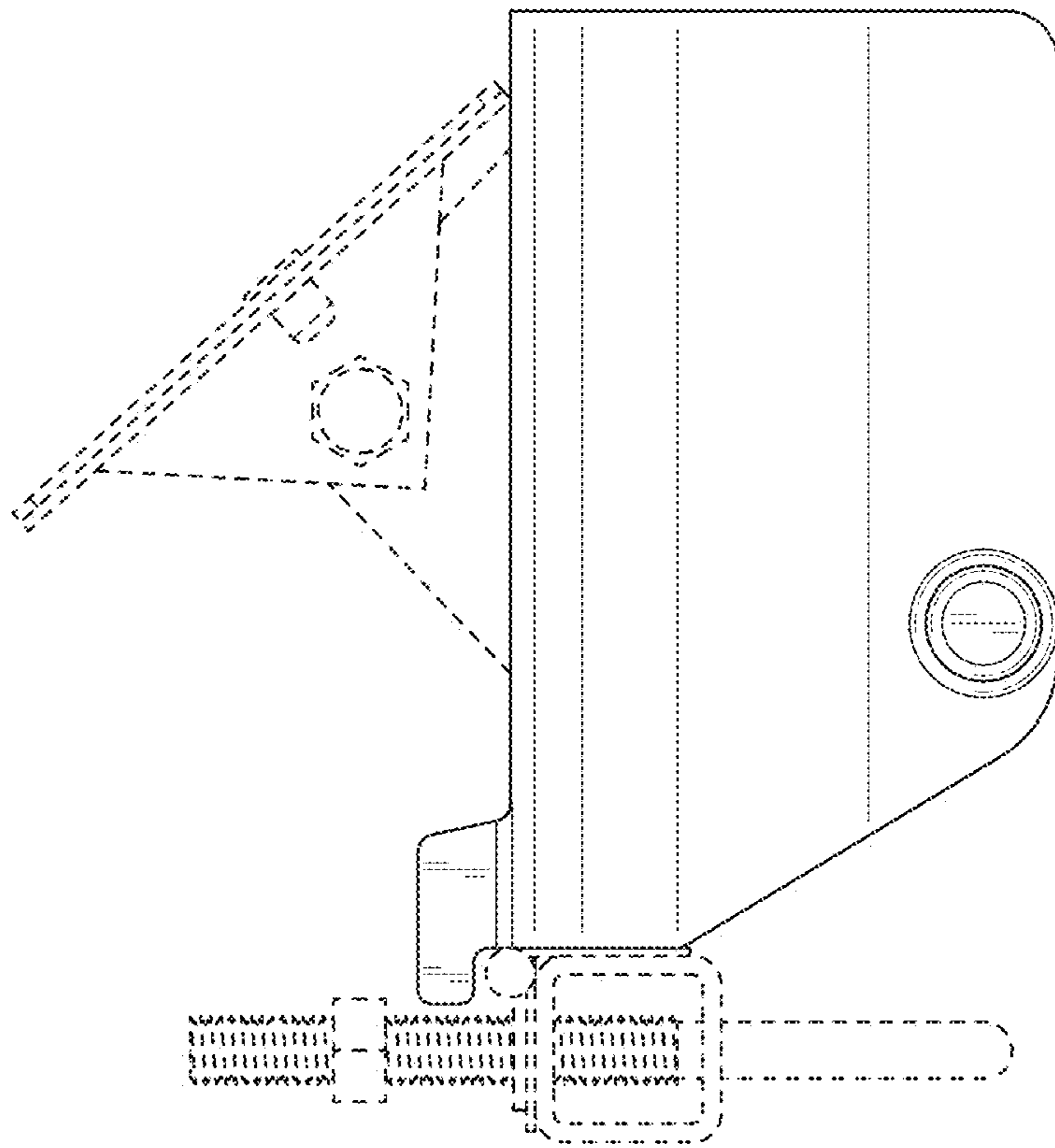


FIG. 4

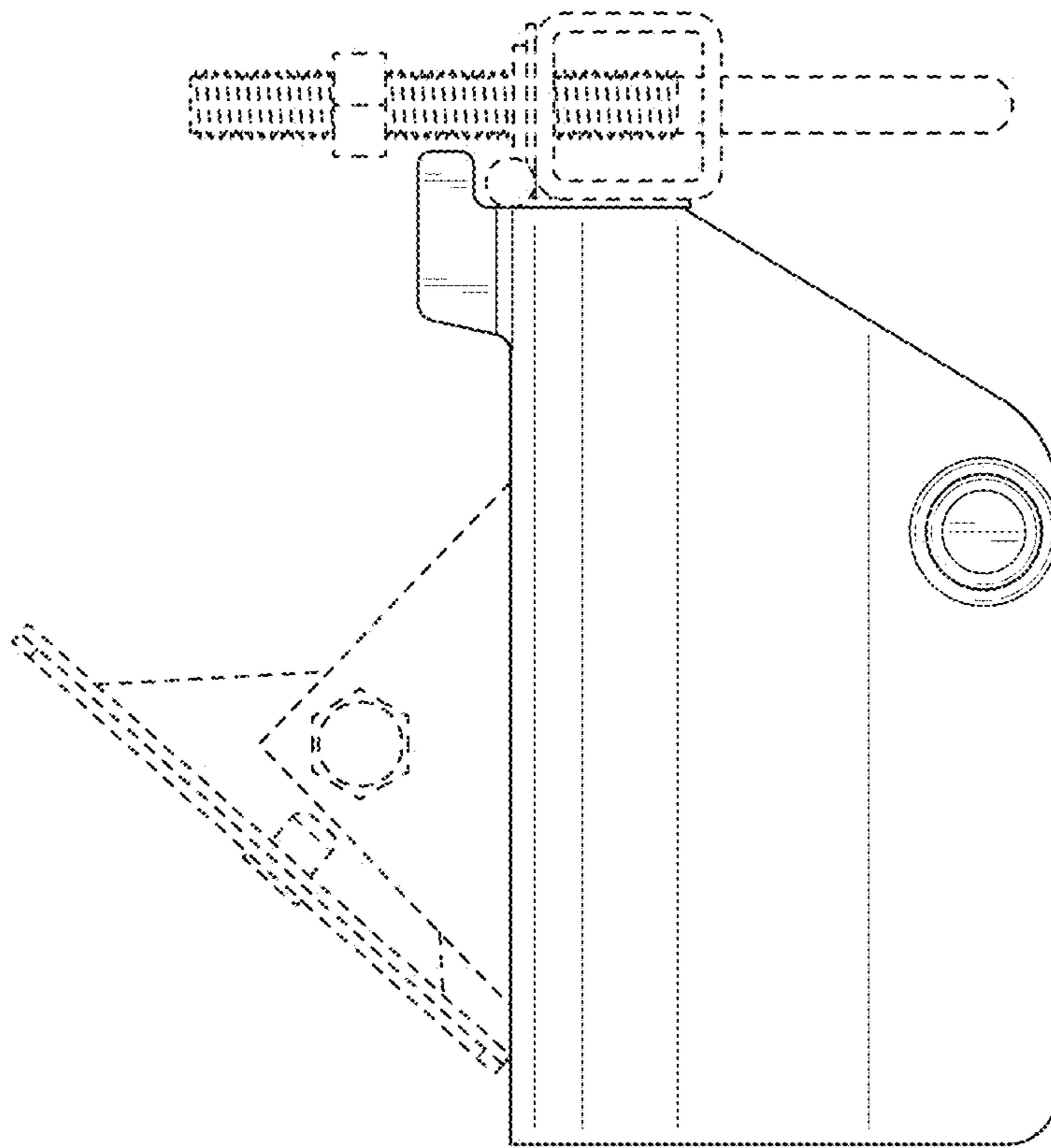


FIG. 5

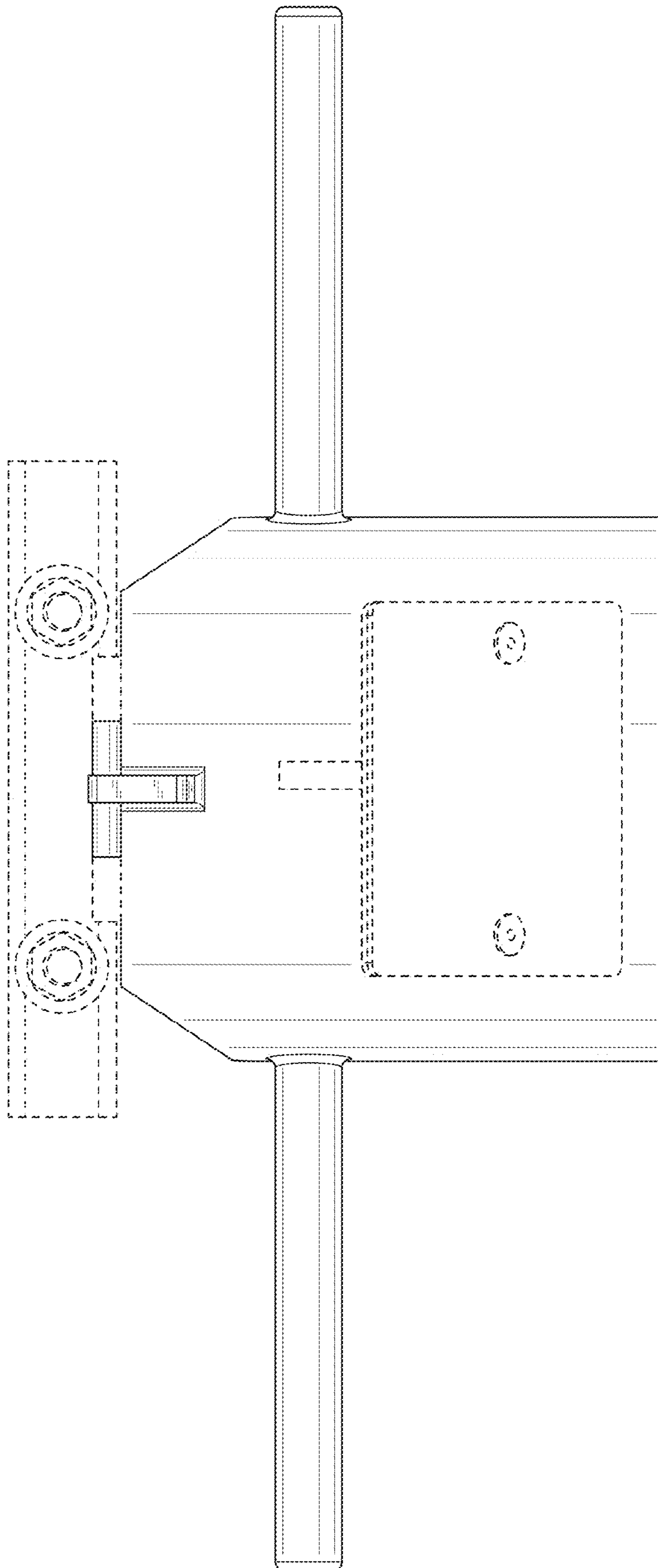


FIG. 6

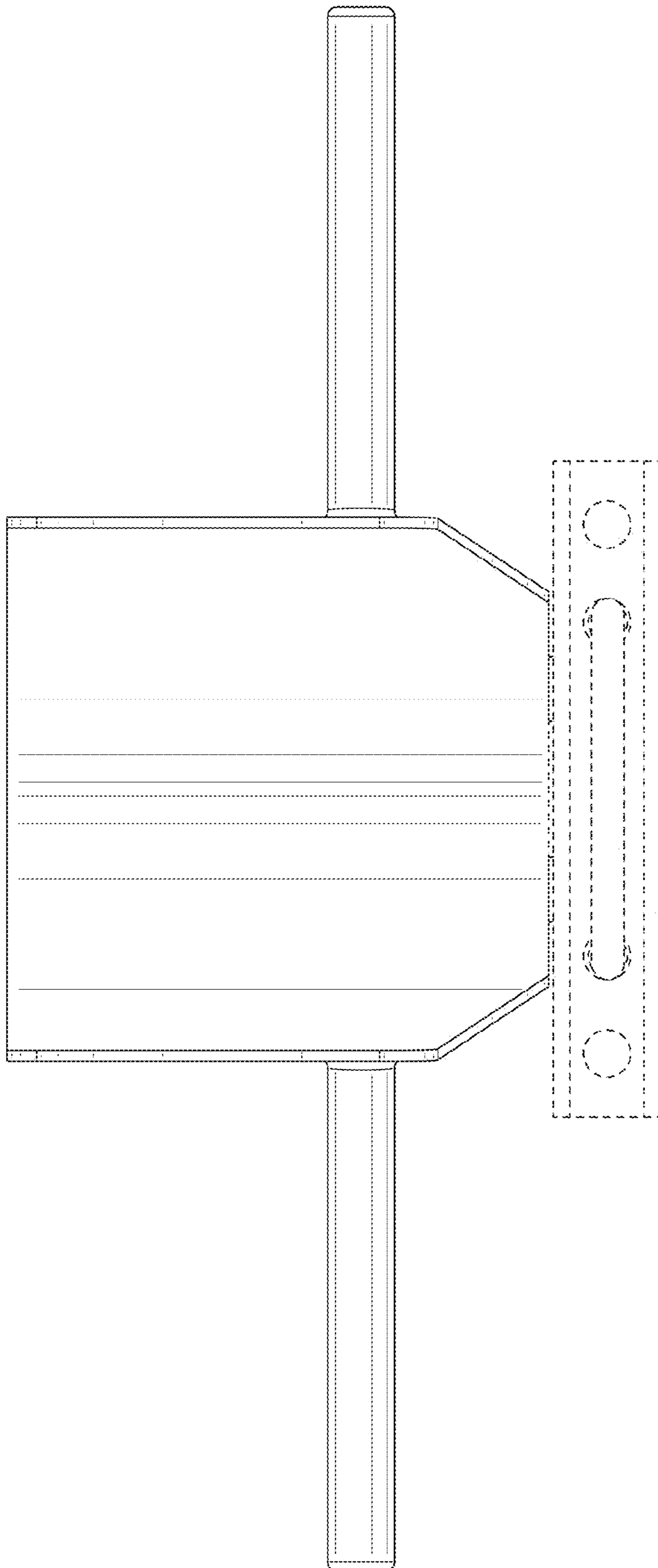


FIG. 7