



US00D939669S

(12) **United States Design Patent** (10) **Patent No.:** **US D939,669 S**  
**Kuran et al.** (45) **Date of Patent:** **\*\* Dec. 28, 2021**

(54) **FENDER FOR WHEEL FAUCET**  
(71) Applicant: **Waterstone, LLC**, Murietta, CA (US)  
(72) Inventors: **Chris Kuran**, Fallbrook, CA (US); **Steve Kliewer**, Whittier, CA (US); **Sam McDaniels**, Fallbrook, CA (US)  
(73) Assignee: **WATERSTONE, LLC**, Murietta (CA)  
(\*\*) Term: **15 Years**  
(21) Appl. No.: **29/697,095**  
(22) Filed: **Jul. 3, 2019**  
(51) **LOC (13) Cl.** ..... **23-01**  
(52) **U.S. Cl.**  
USPC ..... **D23/253**  
(58) **Field of Classification Search**  
USPC ..... D23/233, 238, 239, 240, 241, 242, 243,  
D23/249, 250, 255, 256, 257  
CPC ..... E03C 1/04; E03C 1/0401; E03C 1/0402;  
E03C 1/0404; E03C 1/0405; F16K  
31/602  
See application file for complete search history.

5,492,148 A 2/1996 Goughneour et al.  
5,624,074 A 4/1997 Parisi  
D464,711 S 10/2002 Warshawsky  
D491,574 S 6/2004 Hung  
D492,393 S 6/2004 Herring et al.  
D496,715 S 9/2004 Warshawsky  
6,820,291 B1 11/2004 Weaver  
D508,551 S 8/2005 Warshawsky  
D522,009 S 5/2006 Chen  
D529,033 S 9/2006 Hung  
D534,620 S 1/2007 Zhou  
D535,356 S \* 1/2007 Kuran ..... D23/238  
D541,808 S 5/2007 Oddsen, Jr. et al.  
D544,489 S 6/2007 Oddden, Jr. et al.  
D565,705 S \* 4/2008 Kuran ..... D23/249  
(Continued)

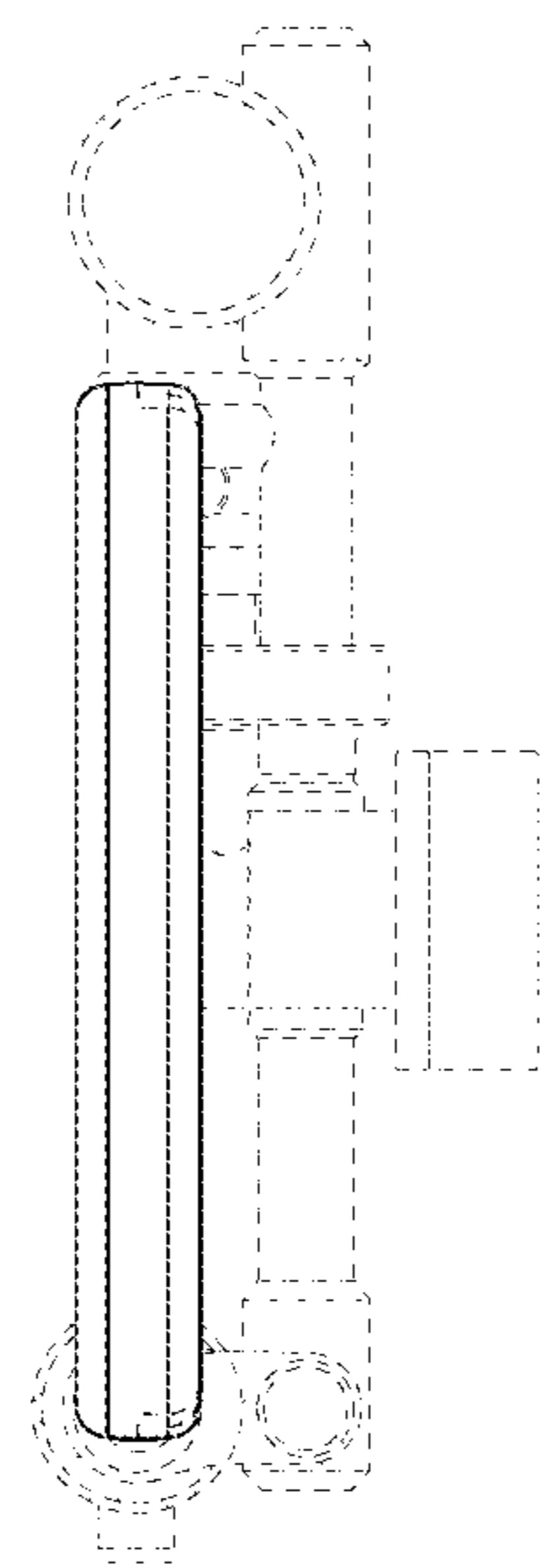
*Primary Examiner* — Gino Colan  
(74) *Attorney, Agent, or Firm* — Myers Andras LLP;  
Joseph C. Andras

(57) **CLAIM**  
The ornamental design for the fender for wheel faucet, as shown and described.

**DESCRIPTION**  
FIG. 1 is a top view of the fender for wheel faucet according to our design;  
FIG. 2 is a bottom view of the fender for wheel faucet;  
FIG. 3 is a right side elevational view of the fender for wheel faucet;  
FIG. 4 is a left side elevational view of the fender for wheel faucet;  
FIG. 5 is a back elevational view of the fender for wheel faucet;  
FIG. 6 is a front elevational view of the fender for wheel faucet; and,  
FIG. 7 is a front right perspective view of the fender for wheel faucet.  
The dashed lines in FIGS. 1-7 represent environmental structure and form no part of the claimed design.

**1 Claim, 7 Drawing Sheets**

(56) **References Cited**  
U.S. PATENT DOCUMENTS  
1,510,761 A 10/1924 Burman  
1,838,290 A 12/1931 Steckel  
D115,235 S 10/1938 Olson  
2,727,534 A 12/1955 Briede  
2,971,520 A 2/1961 Motis et al.  
D243,488 S 3/1977 Linse  
D251,794 S 5/1979 Smith  
4,207,920 A 6/1980 Westerhoff  
4,232,710 A 11/1980 Gallo et al.  
4,709,715 A 12/1987 Knight  
D312,118 S 11/1990 Son  
4,987,925 A 1/1991 Vroonland  
D331,921 S 12/1992 Gutke et al.  
5,379,205 A 1/1995 Peng



(56)

**References Cited**

U.S. PATENT DOCUMENTS

D683,430 S	5/2013	Spangler	
D714,915 S *	10/2014	von der Lancken	..... D23/253
D718,420 S	11/2014	Rexach	
D758,546 S	6/2016	Rexach	
D765,227 S	8/2016	Sallick	
D779,635 S *	2/2017	Kuran	..... D23/238
D779,638 S *	2/2017	Kuran	..... D23/253
D920,482 S *	5/2021	Kuran	..... D23/253

\* cited by examiner

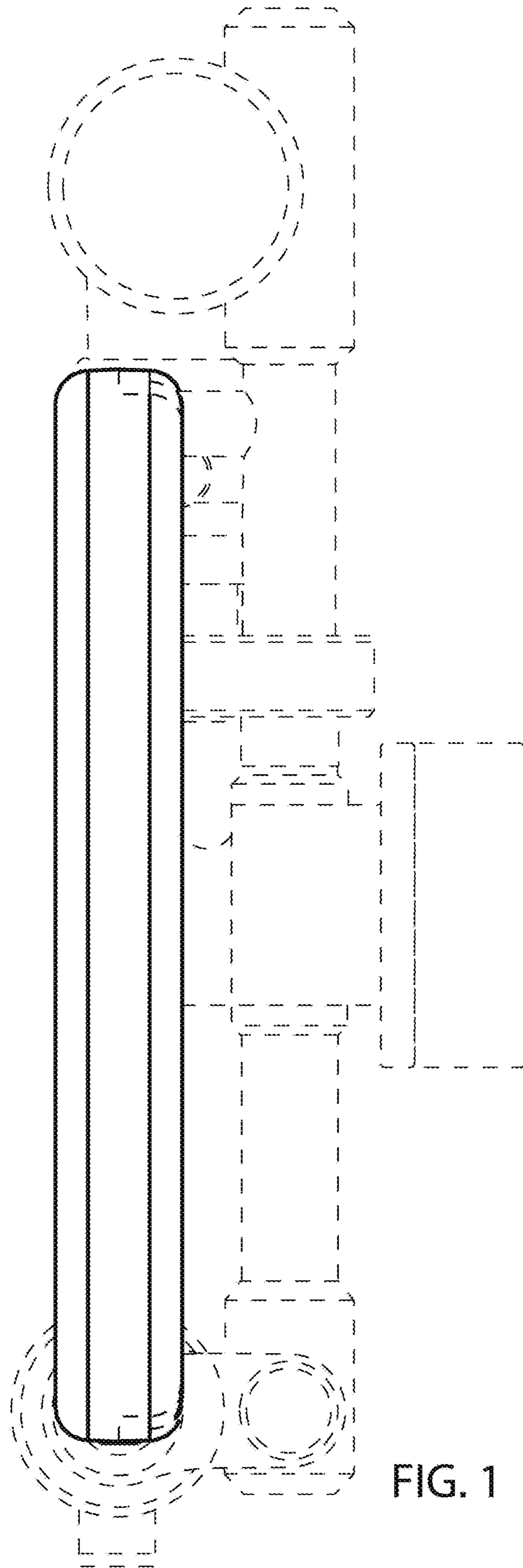


FIG. 1

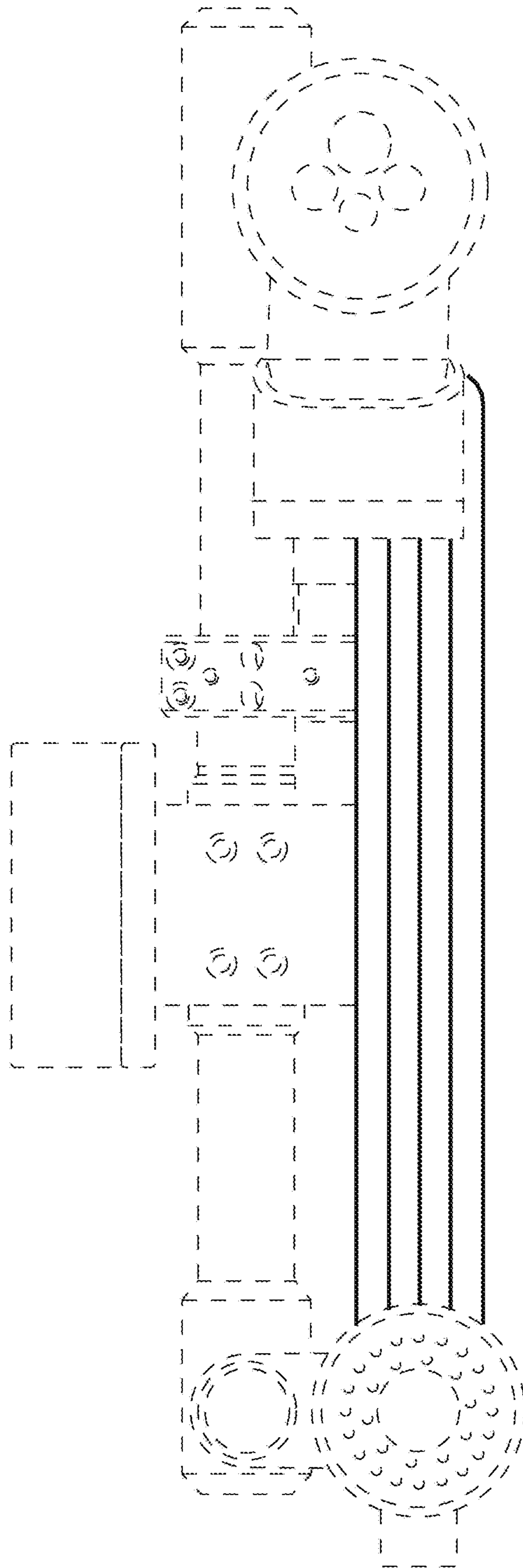
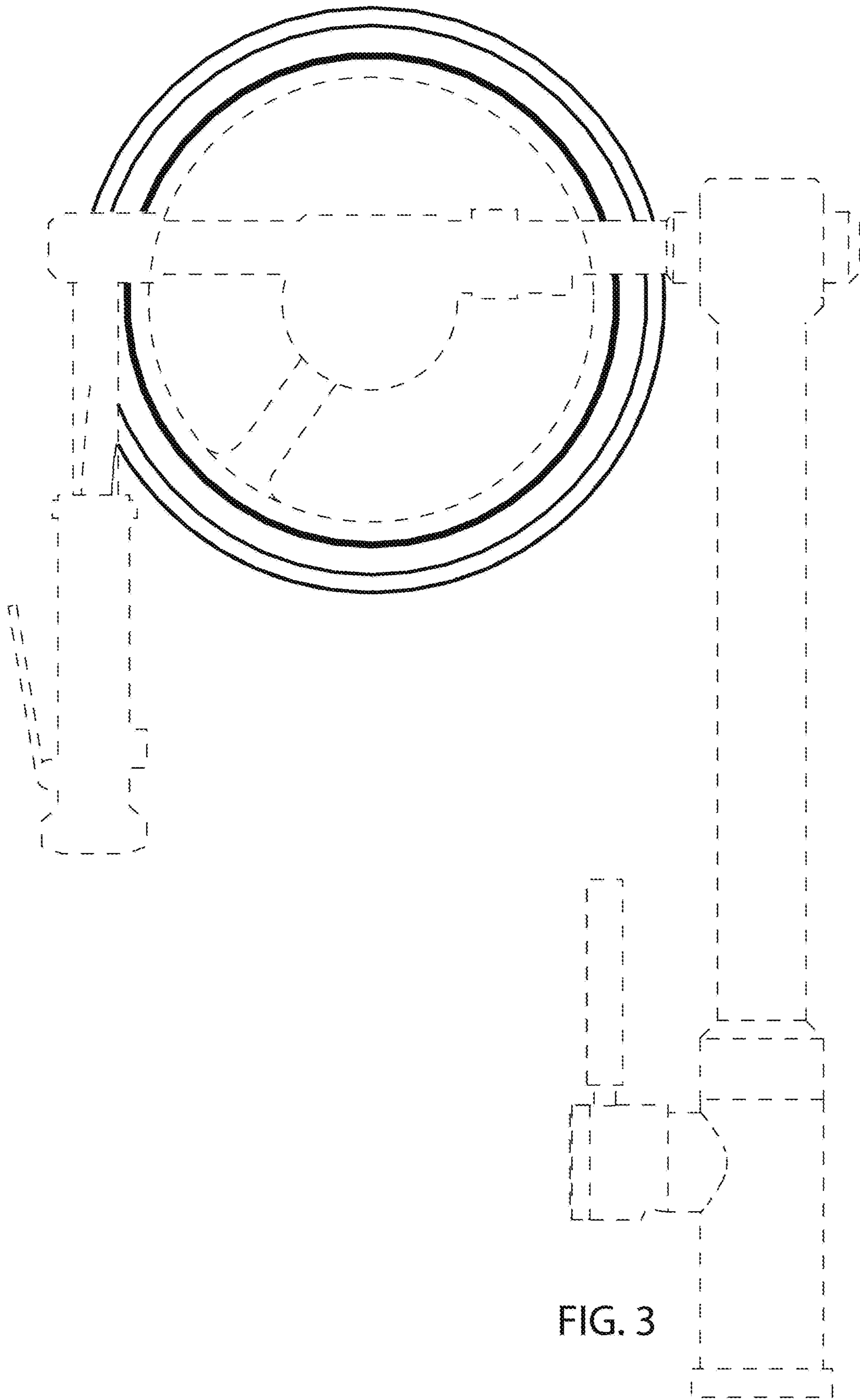


FIG. 2



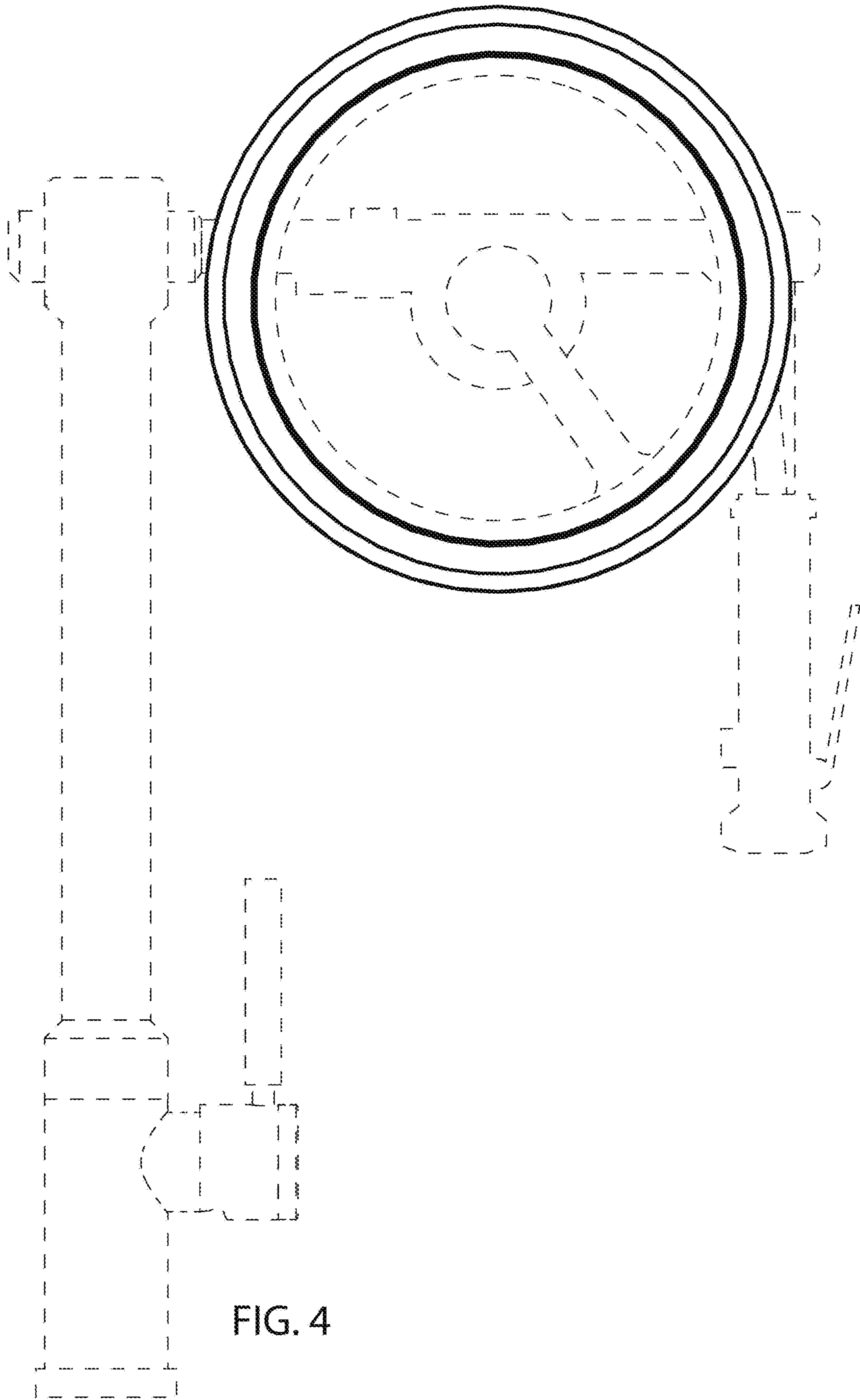


FIG. 4

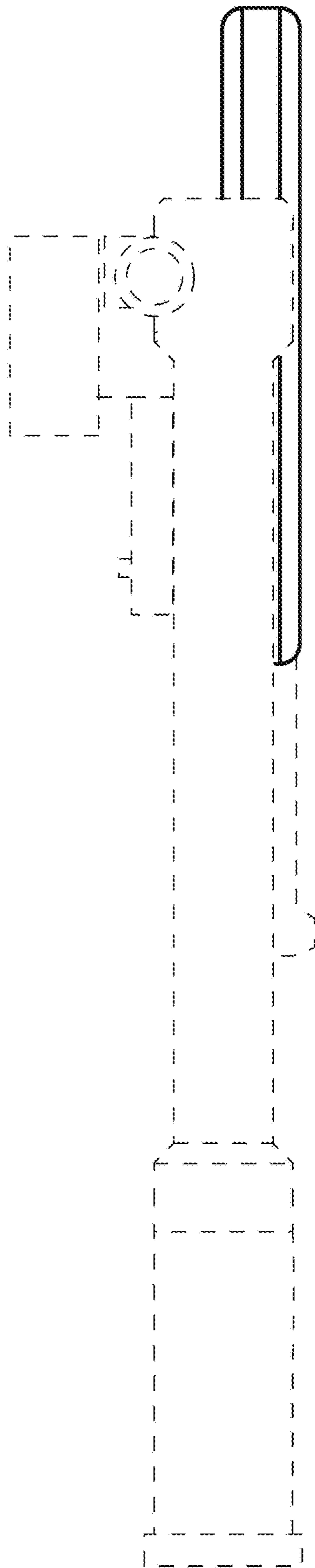


FIG. 5

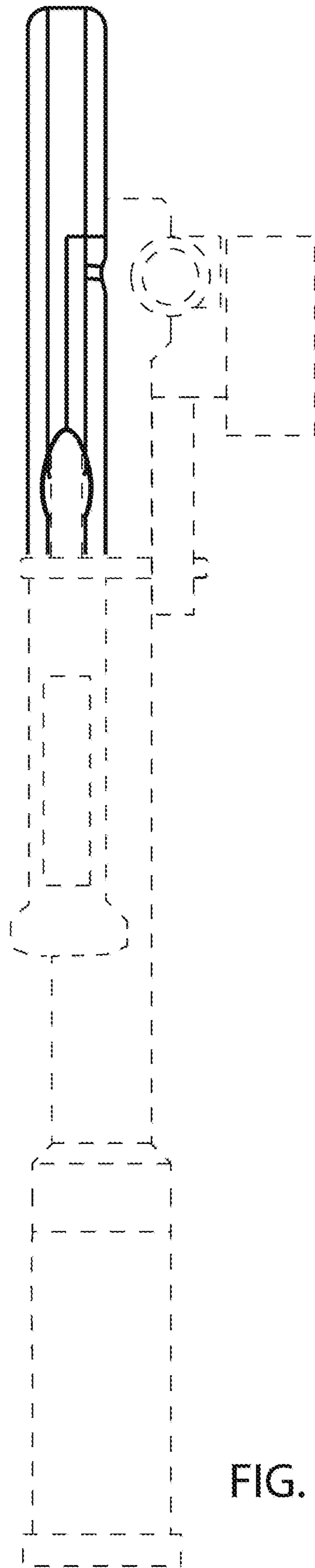


FIG. 6



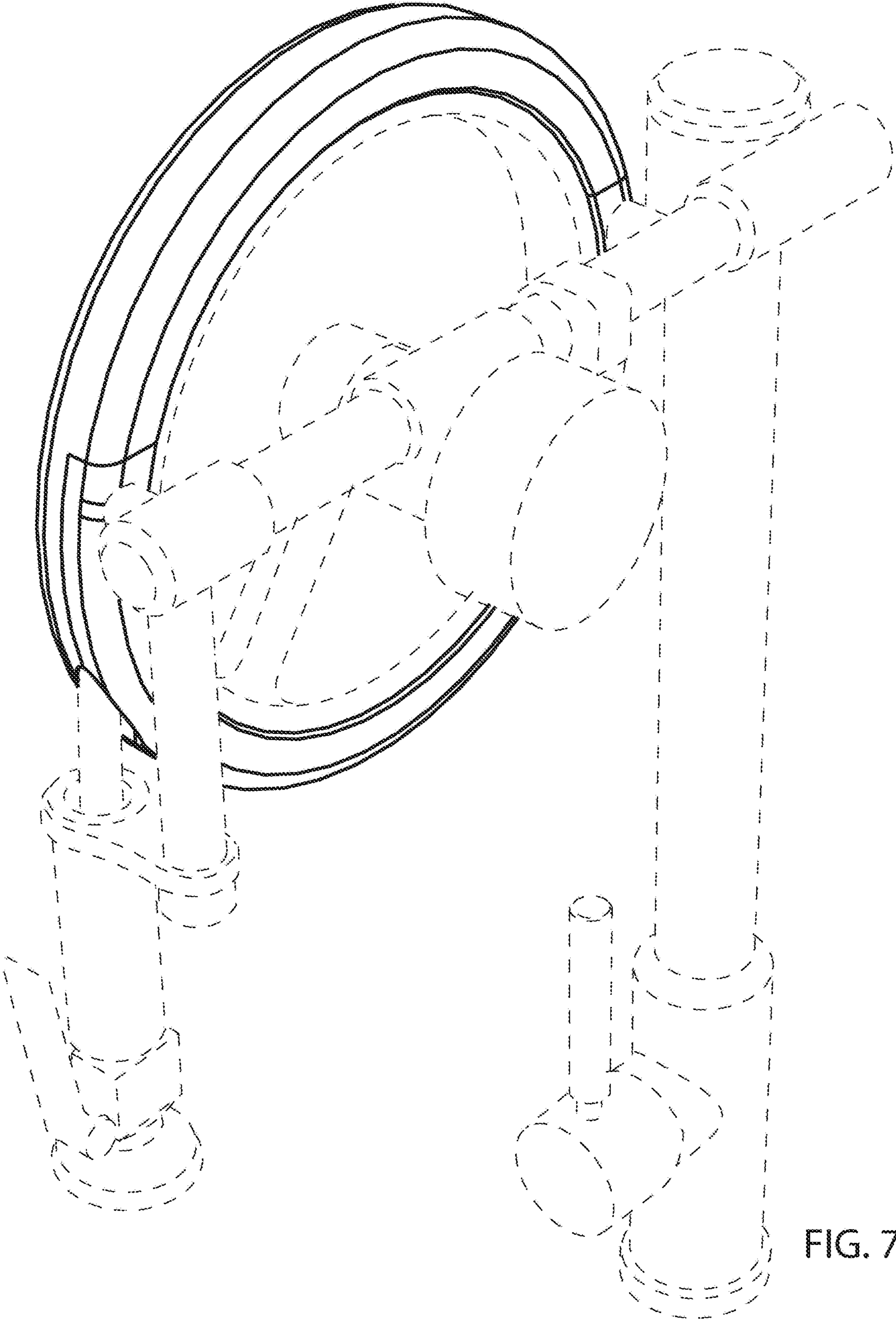


FIG. 7