



US00D939668S

(12) **United States Design Patent** (10) **Patent No.:** **US D939,668 S**  
**Bhanpurawala et al.** (45) **Date of Patent:** **\*\* Dec. 28, 2021**

(54) **WHEEL VALVE LOCKOUT DEVICE**  
(71) Applicant: **LOTO SAFETY PRODUCTS DMCC,**  
Dubai (AE)  
(72) Inventors: **Yusufi Fakhruddin Bhanpurawala,**  
Dubai (AE); **Lai Qiyang,** Dubai (AE);  
**Qaid Zohar Zakiuddin Shahpurwala,**  
Dubai (AE)  
(73) Assignee: **LOTO SAFETY PRODUCTS DMCC,**  
Dubai (AE)  
(\*\*) Term: **15 Years**  
(21) Appl. No.: **29/760,568**  
(22) Filed: **Dec. 2, 2020**

**Related U.S. Application Data**

(63) Continuation of application No. 29/655,757, filed on Jul. 6, 2018, now abandoned.

**Foreign Application Priority Data**

Feb. 14, 2018 (IN) ..... 302547  
(51) **LOC (13) Cl.** ..... **23-01**  
(52) **U.S. Cl.**  
USPC ..... **D23/249**  
(58) **Field of Classification Search**  
USPC ..... D23/233, 245, 249; 137/383, 385, 382,  
137/377; 251/90  
CPC ..... F16K 35/10; F16K 35/06; F16K 11/0704;  
F16K 35/00; F16K 35/022; F16K 27/12  
See application file for complete search history.

(56) **References Cited**  
U.S. PATENT DOCUMENTS

D283,246 S	4/1986	Jack
5,092,359 A	3/1992	Wirth et al.
D348,306 S	6/1994	Parker
7,197,904 B2	4/2007	Marcelle et al.
7,752,876 B2	7/2010	Meekma et al.
D755,351 S	5/2016	Parker
2014/0116536 A1	5/2014	Resendiz

*Primary Examiner* — Gino Colan  
(74) *Attorney, Agent, or Firm* — James Pingor

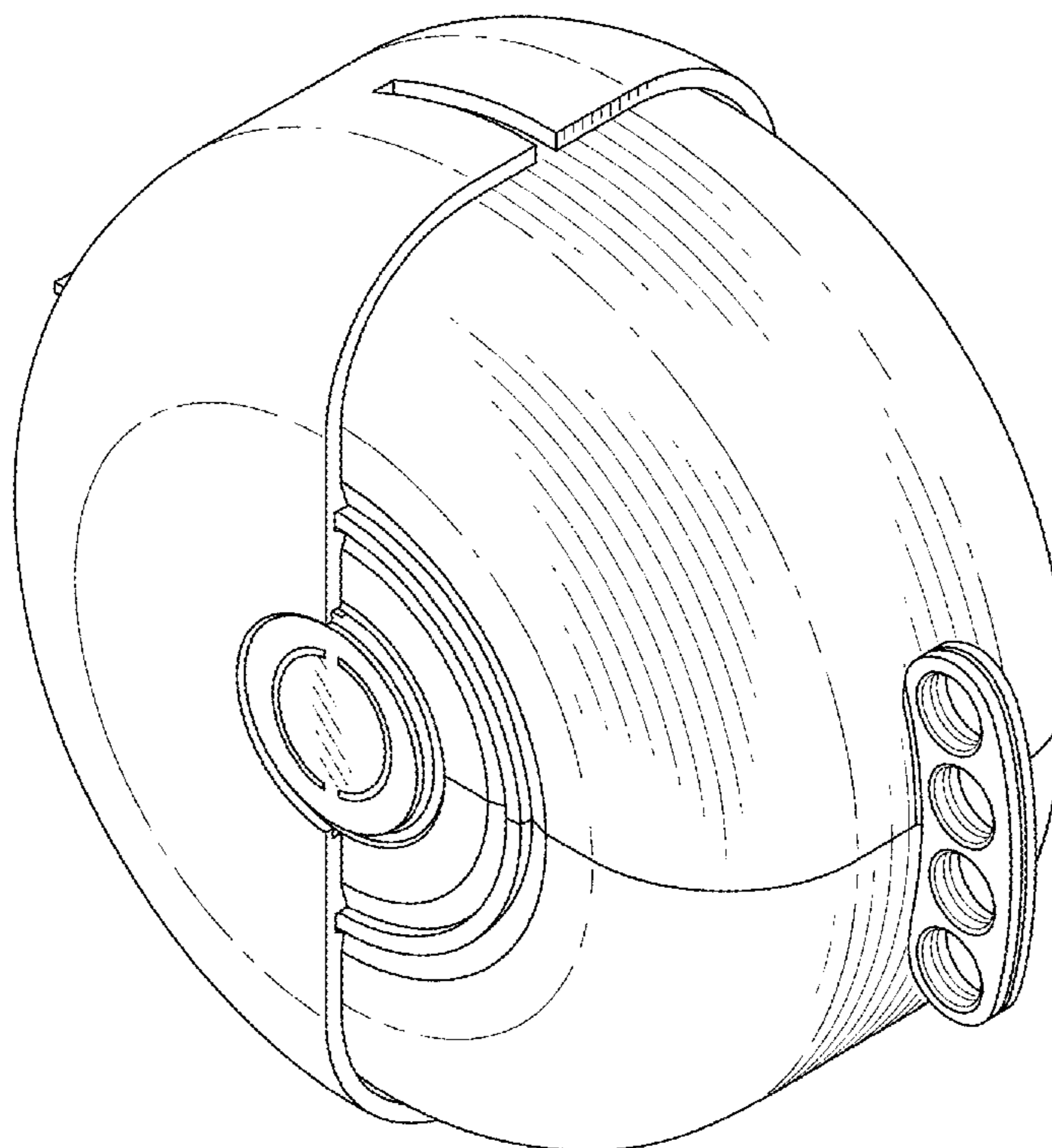
(57) **CLAIM**

The ornamental design of a wheel valve lockout device, as shown and described.

**DESCRIPTION**

FIG. 1 is a front perspective view of wheel valve lockout device showing our new design;  
FIG. 2 is rear perspective view thereof;  
FIG. 3 is front elevation view thereof;  
FIG. 4 is a rear side elevation view thereof;  
FIG. 5 is a top plan view thereof;  
FIG. 6 is a bottom plan view thereof;  
FIG. 7 is a right side elevation view thereof;  
FIG. 8 is a left side elevation view thereof;  
FIG. 9 is a front perspective view thereof, partially open; and,  
FIG. 10 is a rear perspective view thereof, partially open.  
The broken lines shown represent unclaimed portions of the article and form no part of the claimed design.

**1 Claim, 10 Drawing Sheets**



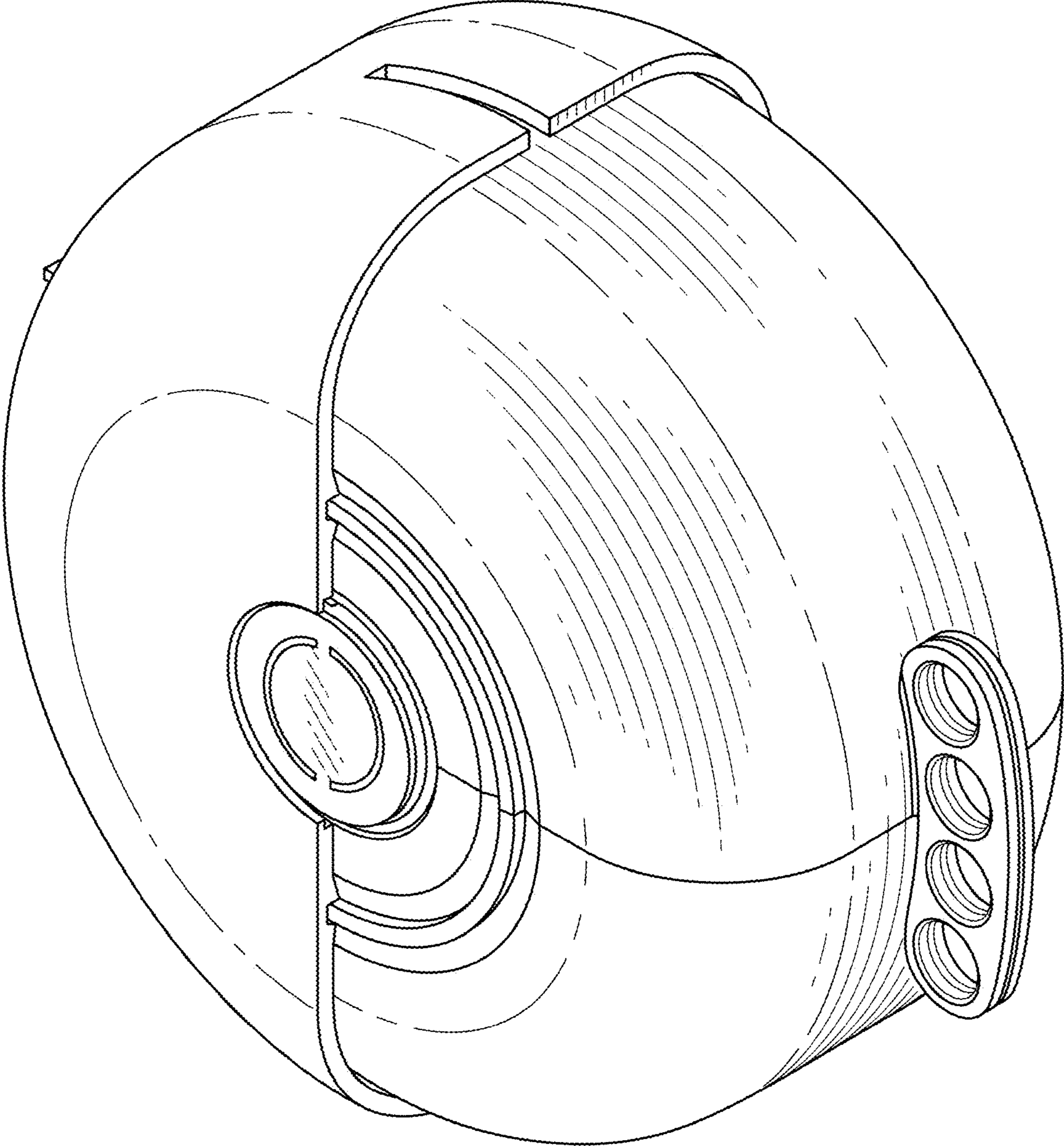


FIG. 1

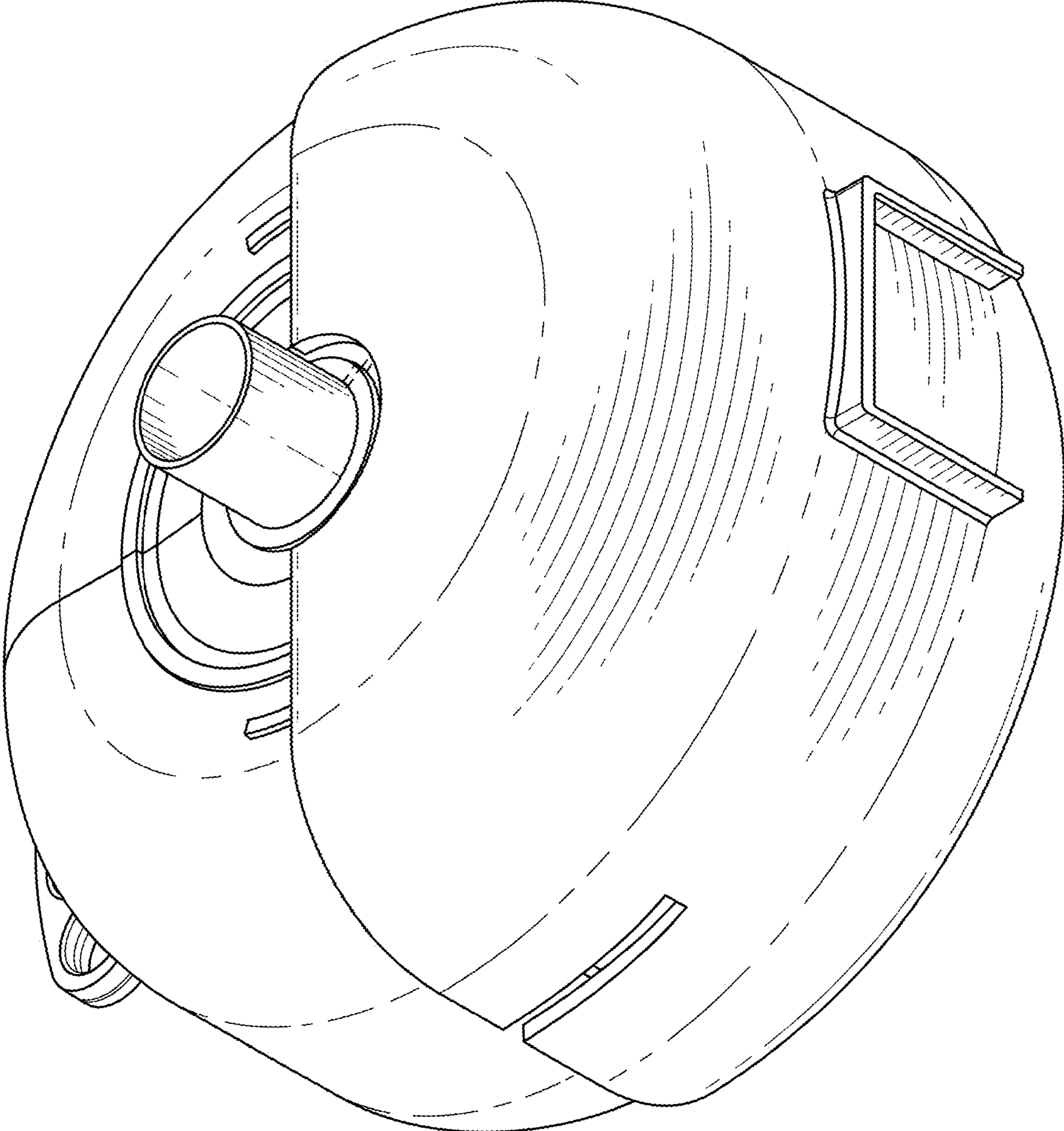


FIG. 2

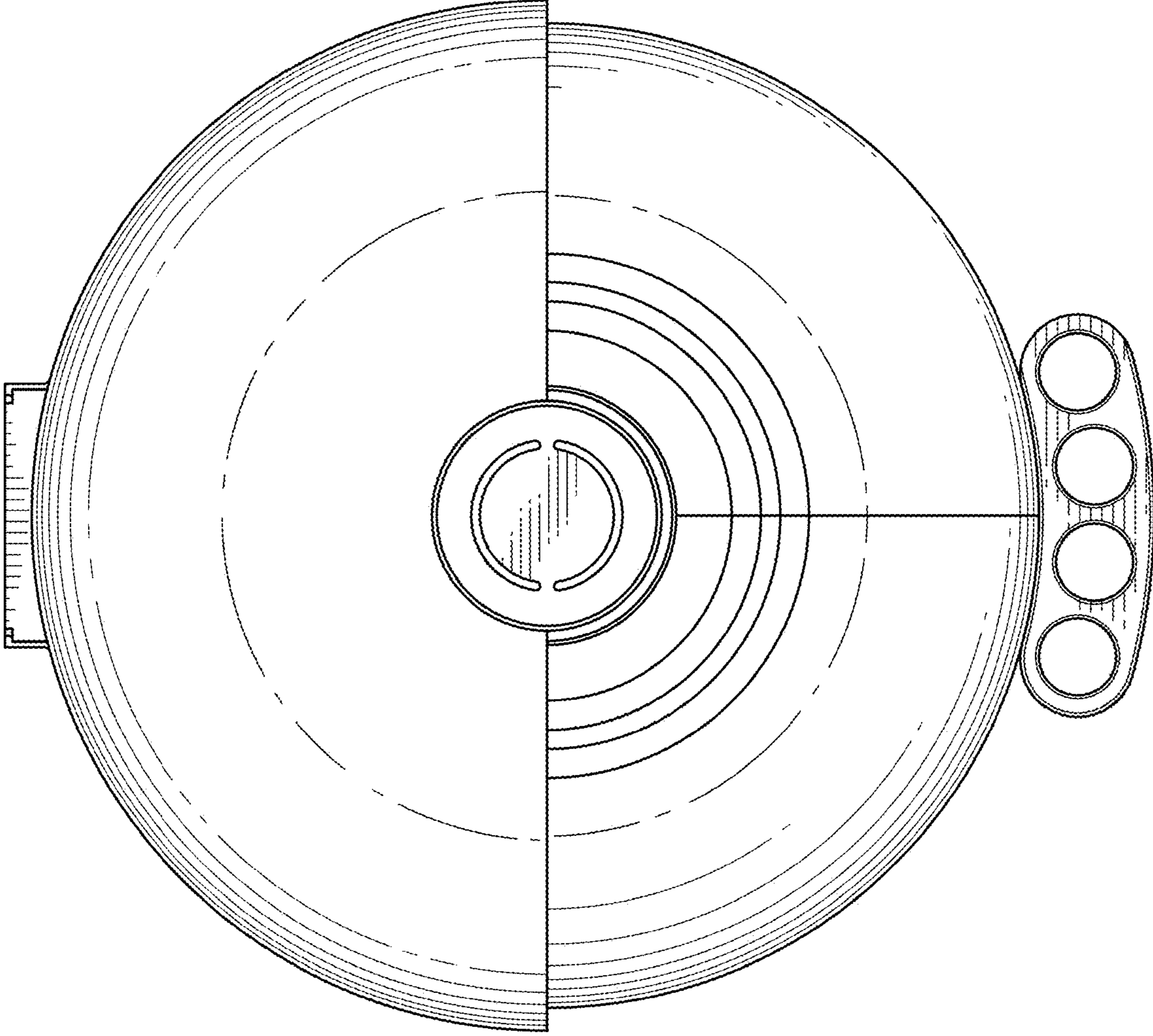


FIG. 3

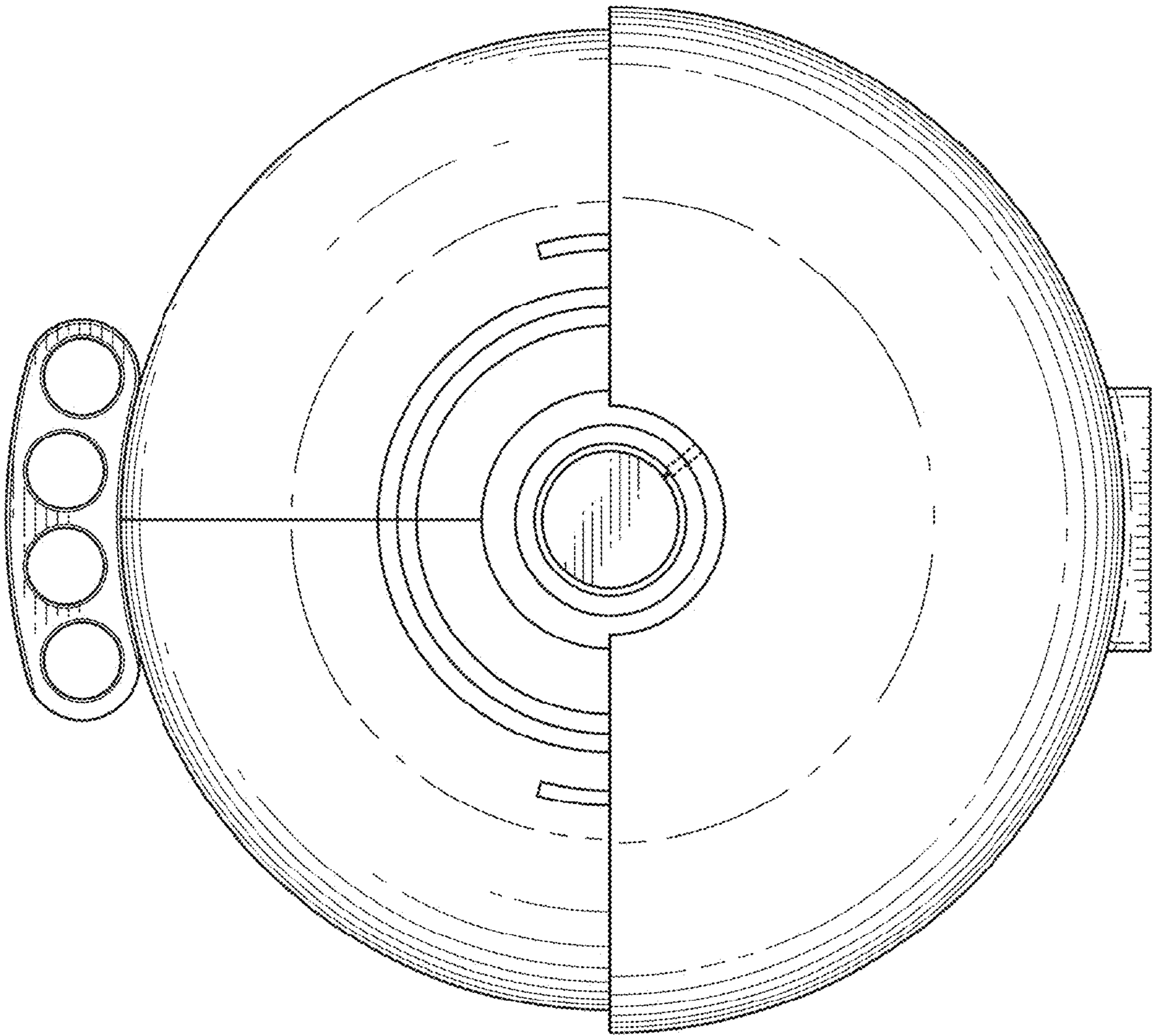


FIG. 4

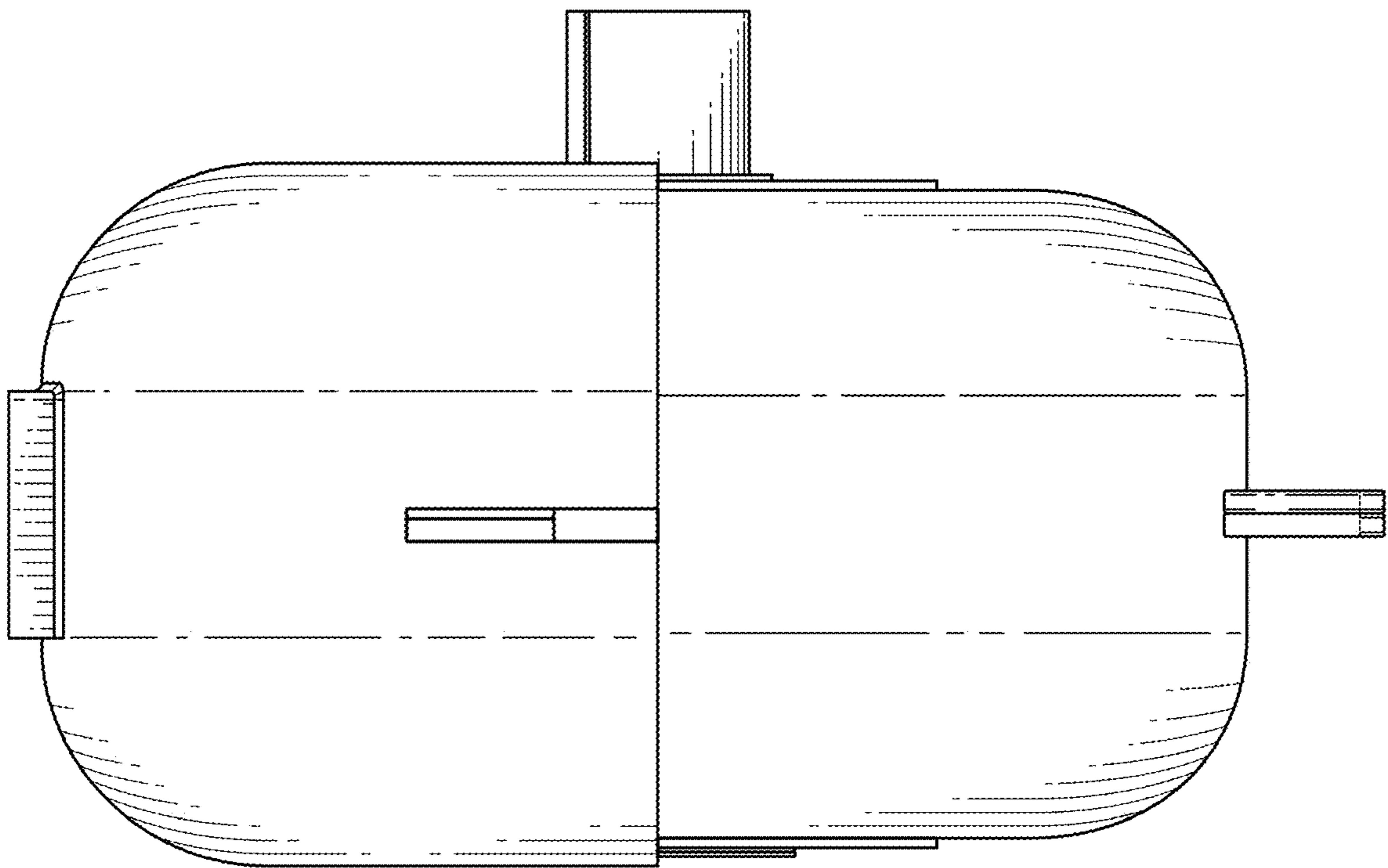


FIG. 5

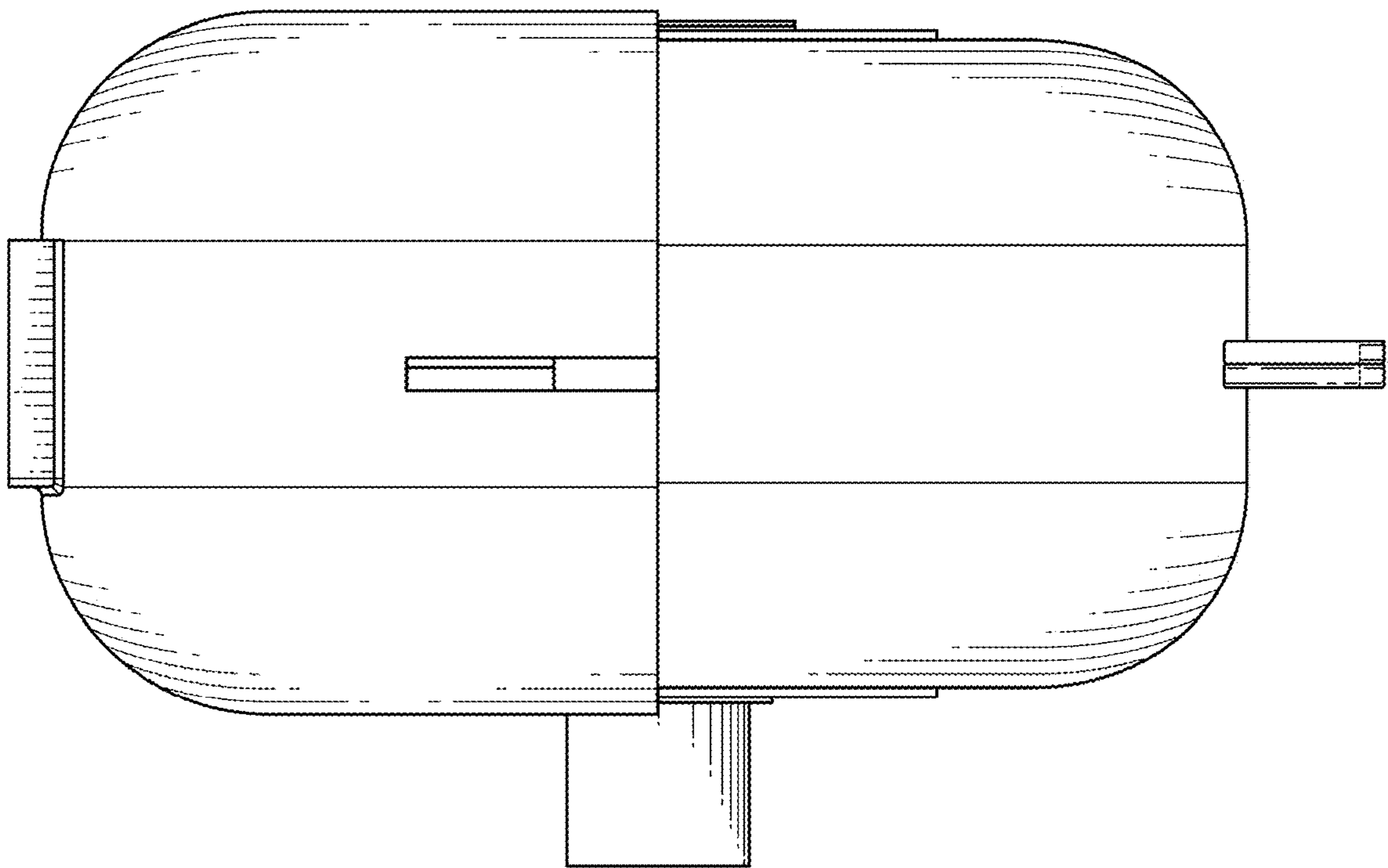


FIG. 6

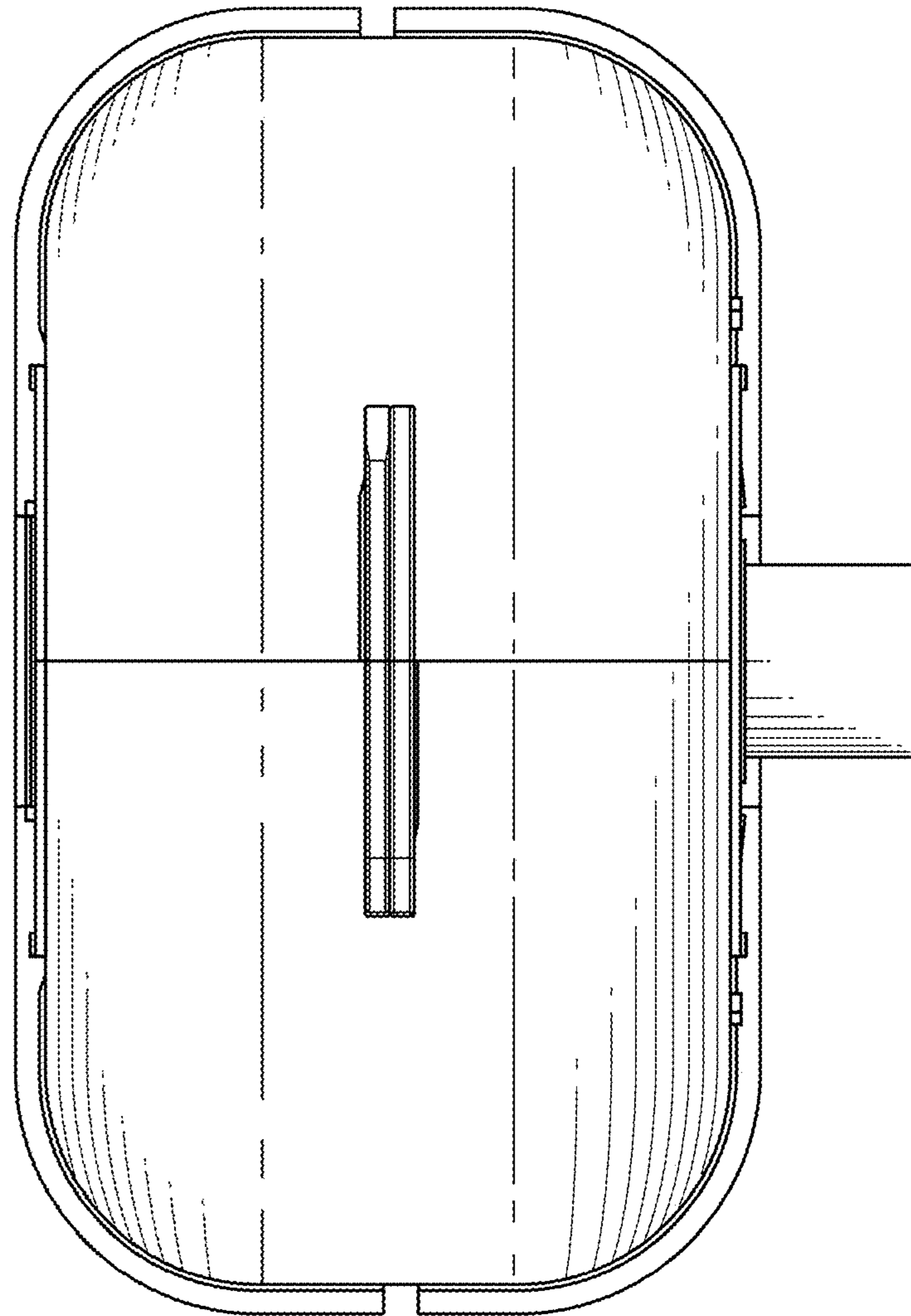


FIG. 7



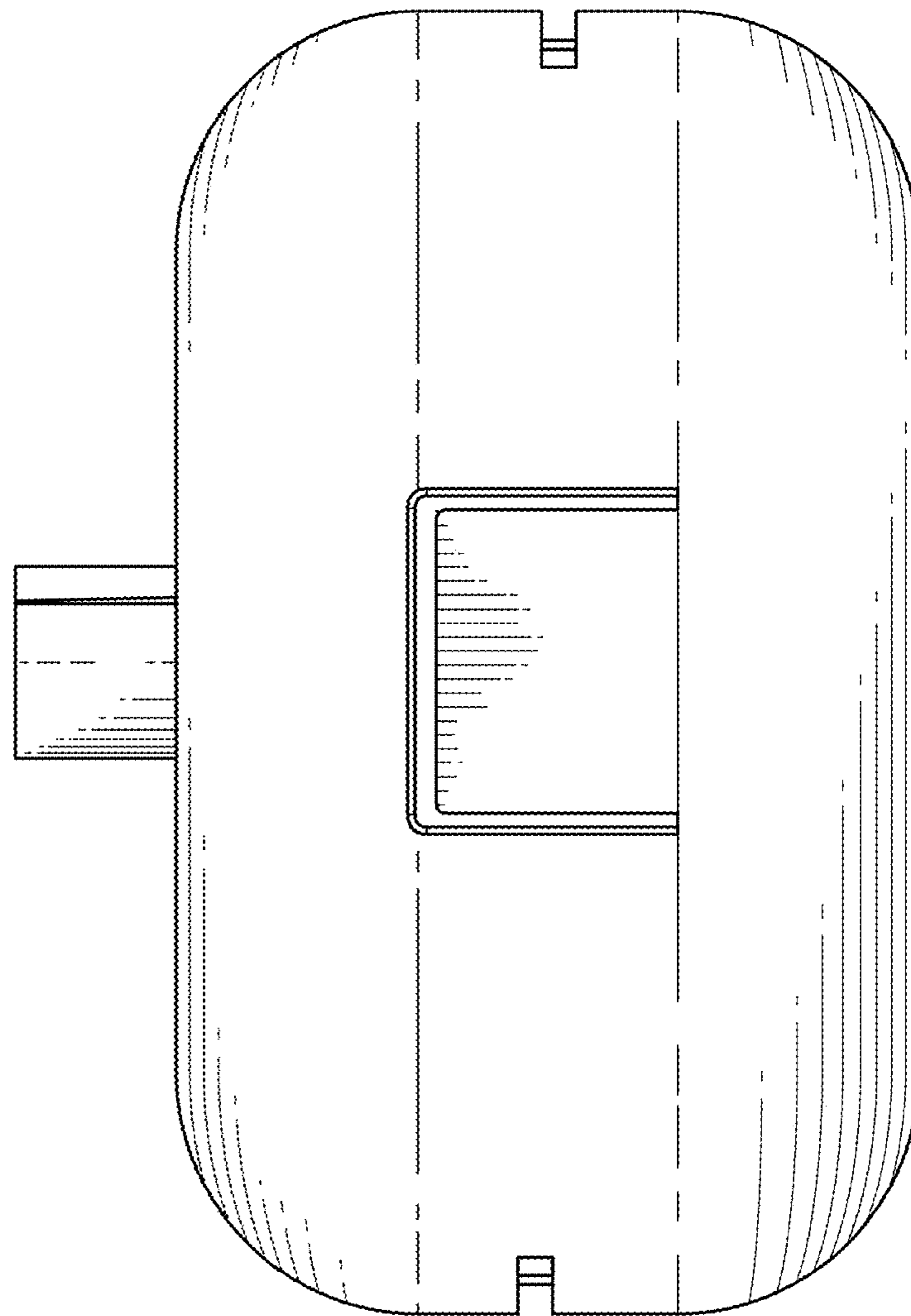


FIG. 8

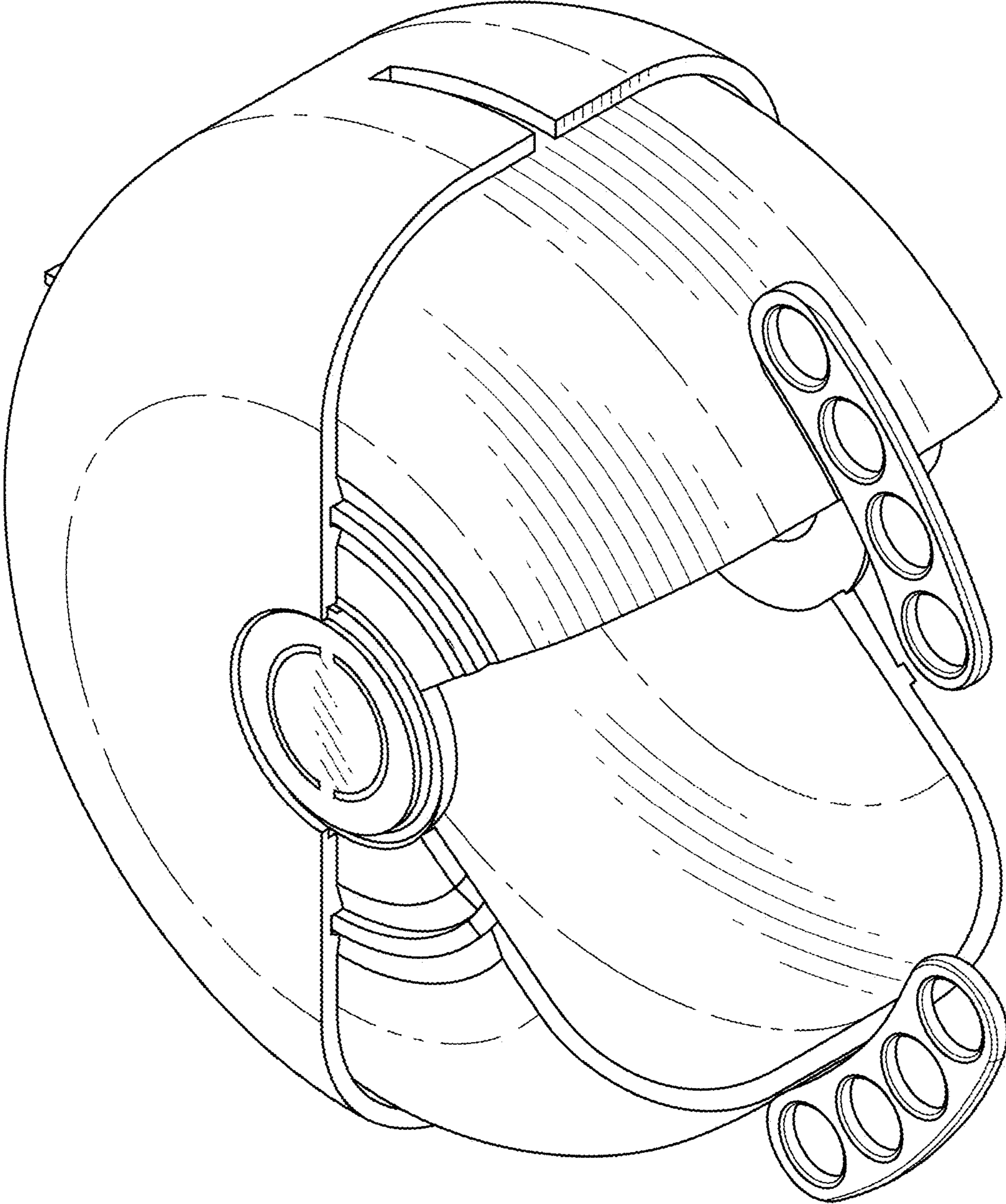


FIG. 9

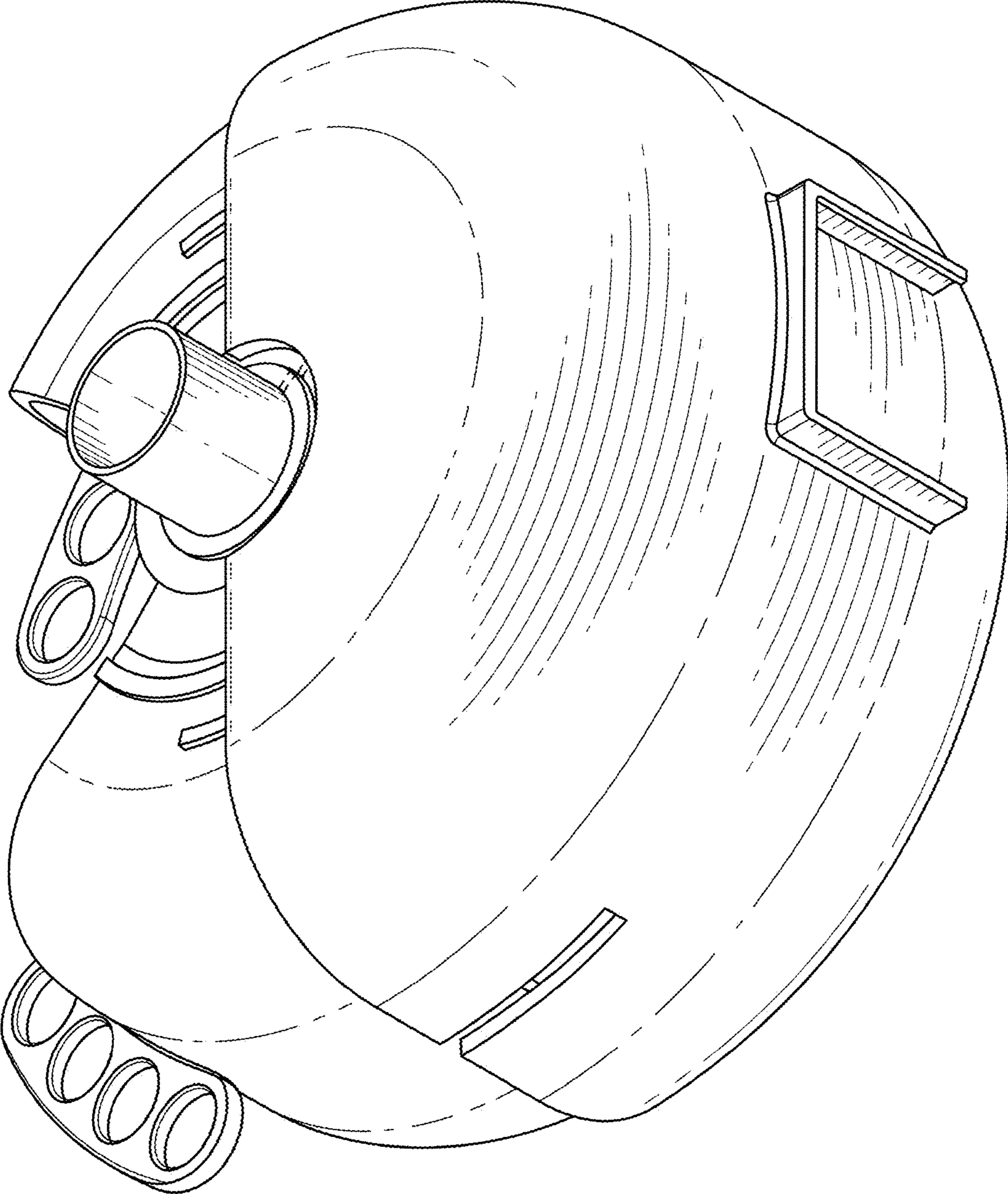


FIG. 10