



US00D939667S

(12) **United States Design Patent** (10) **Patent No.:** **US D939,667 S**  
**Bahler et al.** (45) **Date of Patent:** **\*\* Dec. 28, 2021**

(54) **FAUCET BODY** D513,526 S \* 1/2006 Marshall ..... D23/238  
D585,960 S \* 2/2009 Ko ..... D23/238  
(71) Applicant: **DELTA FAUCET COMPANY,** D735,298 S \* 7/2015 Eads ..... D23/238  
Indianapolis, IN (US) D759,206 S \* 6/2016 Moerman ..... D23/239  
D869,610 S \* 12/2019 Garland ..... D23/238

(72) Inventors: **Jordan Bahler,** Frankfort, IN (US);  
**Benjamin Stoler,** Carmel, IN (US)

(73) Assignee: **DELTA FAUCET COMPANY,**  
Indianapolis, IN (US)

(\*\*) Term: **15 Years**

(21) Appl. No.: **29/731,010**

(22) Filed: **Apr. 10, 2020**

(51) **LOC (13) Cl.** ..... **23-01**

(52) **U.S. Cl.**  
USPC ..... **D23/249**

(58) **Field of Classification Search**  
USPC ..... D23/238-243, 249, 309, 250, 252, 254,  
D23/255, 256, 257, 245; D8/300, 307,  
D8/308

CPC ..... Y10T 137/9464; E03C 1/00; E03C 1/02;  
E03C 1/04; E03C 1/0412; E03C 1/042;  
E03C 1/044; E03C 1/048; E03C 1/05;  
E03C 1/052

See application file for complete search history.

(56) **References Cited**

U.S. PATENT DOCUMENTS

D458,349 S \* 6/2002 Mullenmeister ..... D23/250  
D505,714 S \* 5/2005 Dretzka ..... D23/252

FOREIGN PATENT DOCUMENTS

CN 201730154851 \* 4/2017  
PH 3-2007-510 \* 8/2007

\* cited by examiner

*Primary Examiner* — Michelle E. Wilson

*Assistant Examiner* — Samantha N Wood

(74) *Attorney, Agent, or Firm* — Nirav D. Parikh; Edgar  
A. Zarins

(57) **CLAIM**

The ornamental design for a faucet body, as shown and  
described.

**DESCRIPTION**

FIG. 1 is a front perspective view of a faucet body showing  
my new design;

FIG. 2 is a rear perspective view thereof;

FIG. 3 is a front elevational view thereof;

FIG. 4 is a left side view thereof;

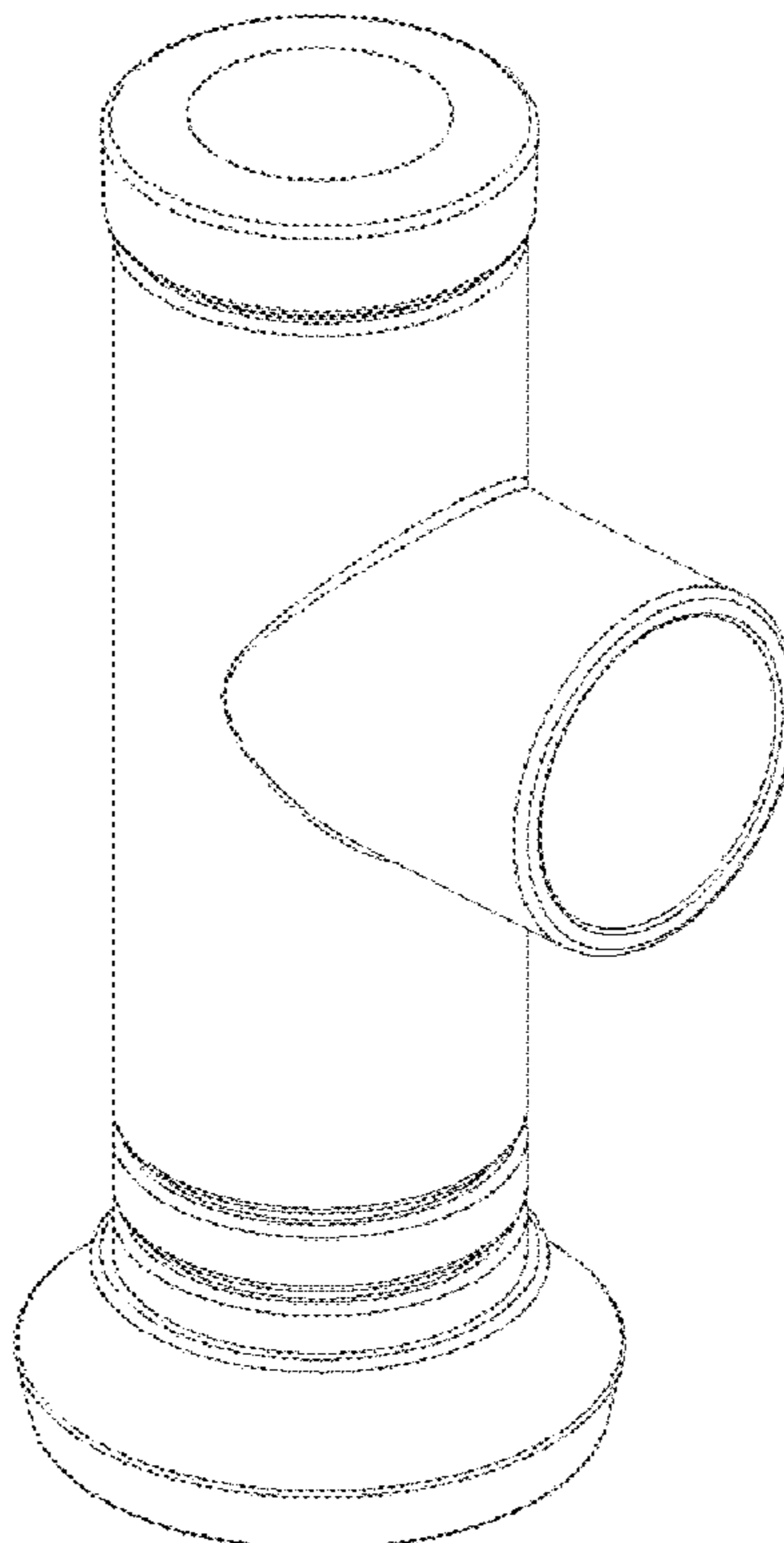
FIG. 5 is a rear view thereof;

FIG. 6 is a right side view thereof;

FIG. 7 is a top plan view thereof; and,

FIG. 8 is a bottom view thereof.

**1 Claim, 4 Drawing Sheets**



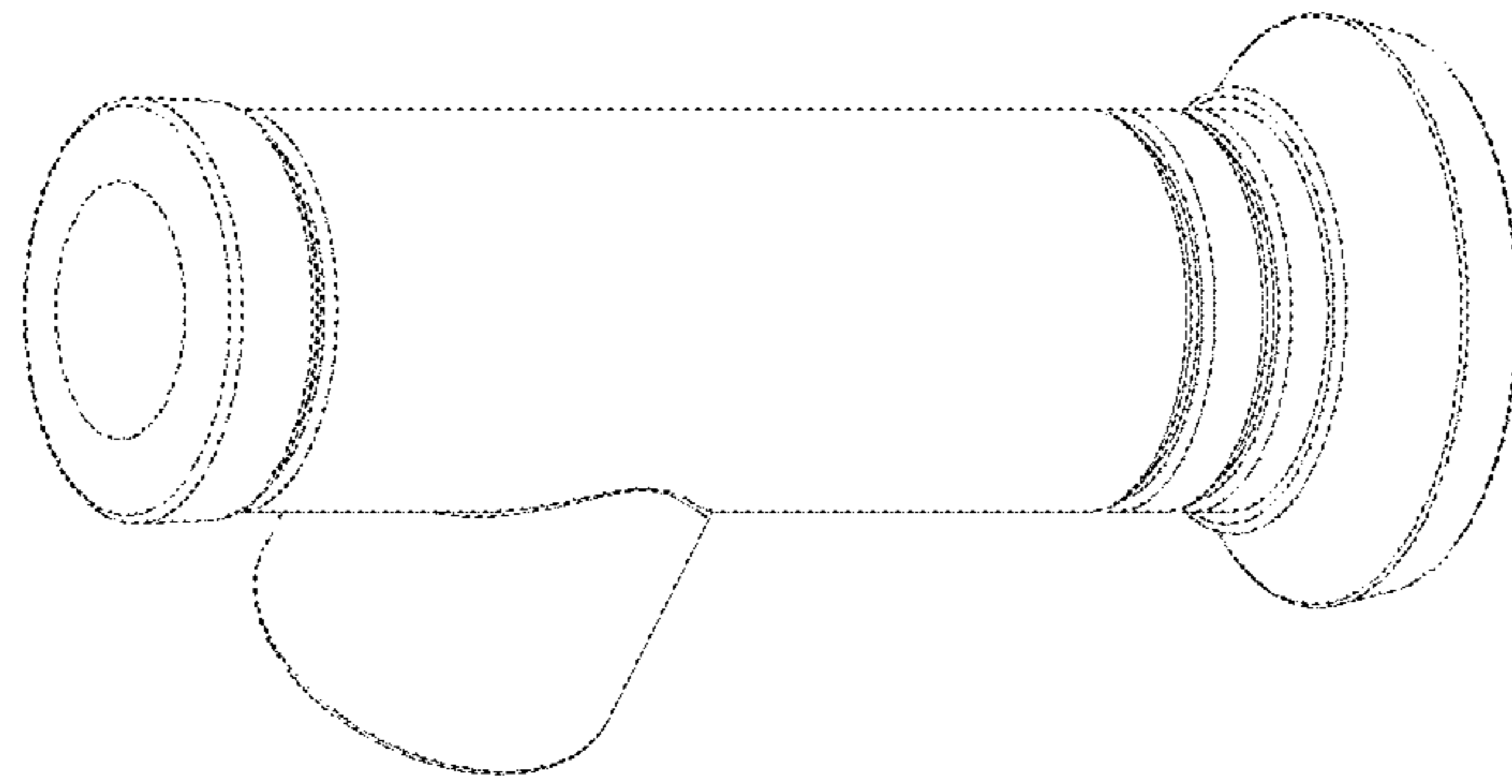


FIG - 2

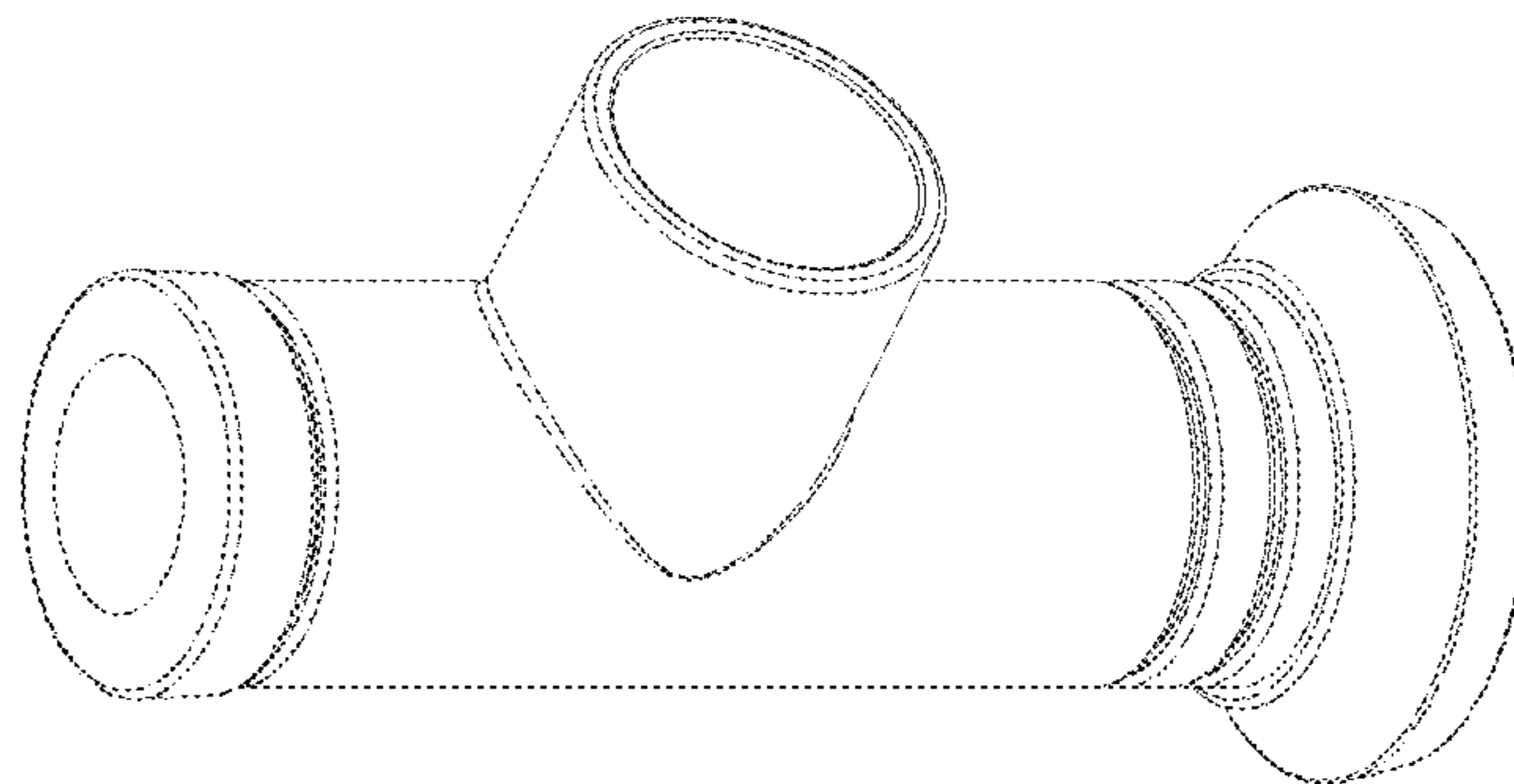


FIG - 1

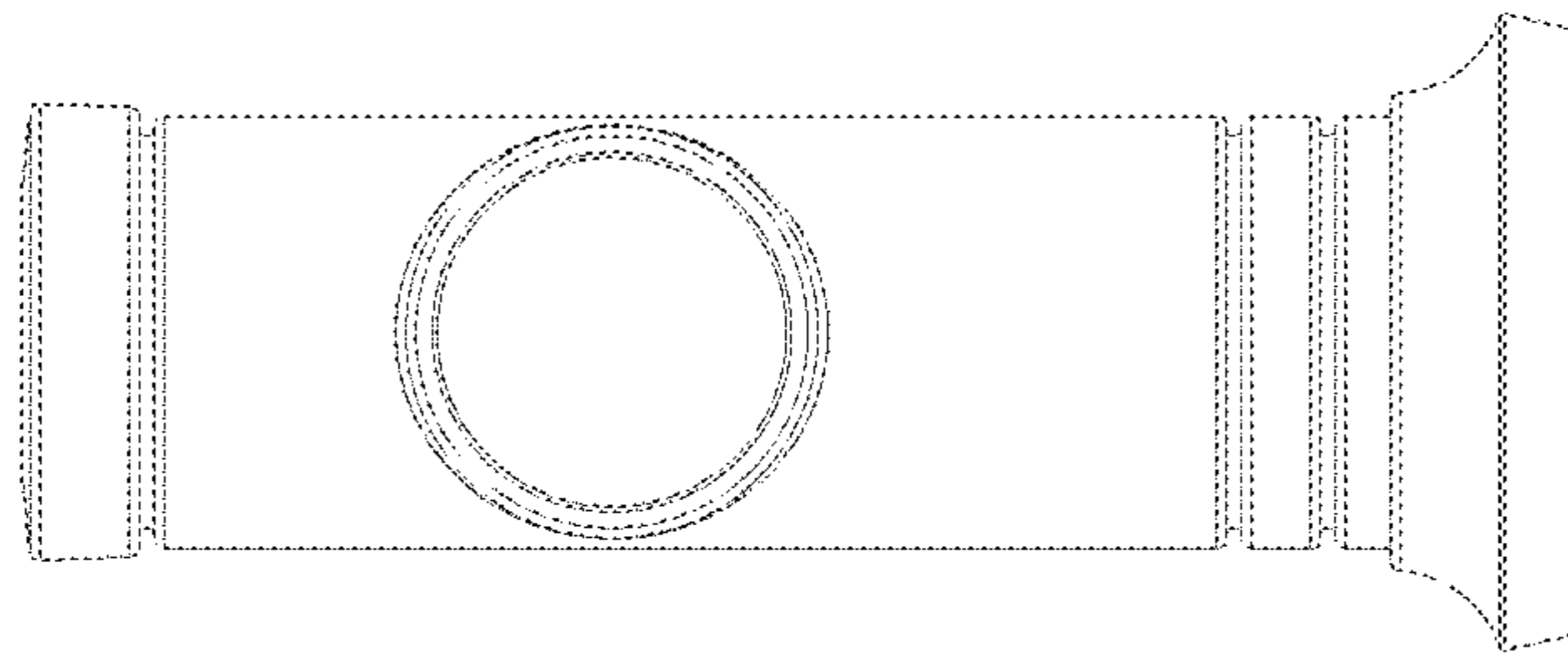


FIG - 4

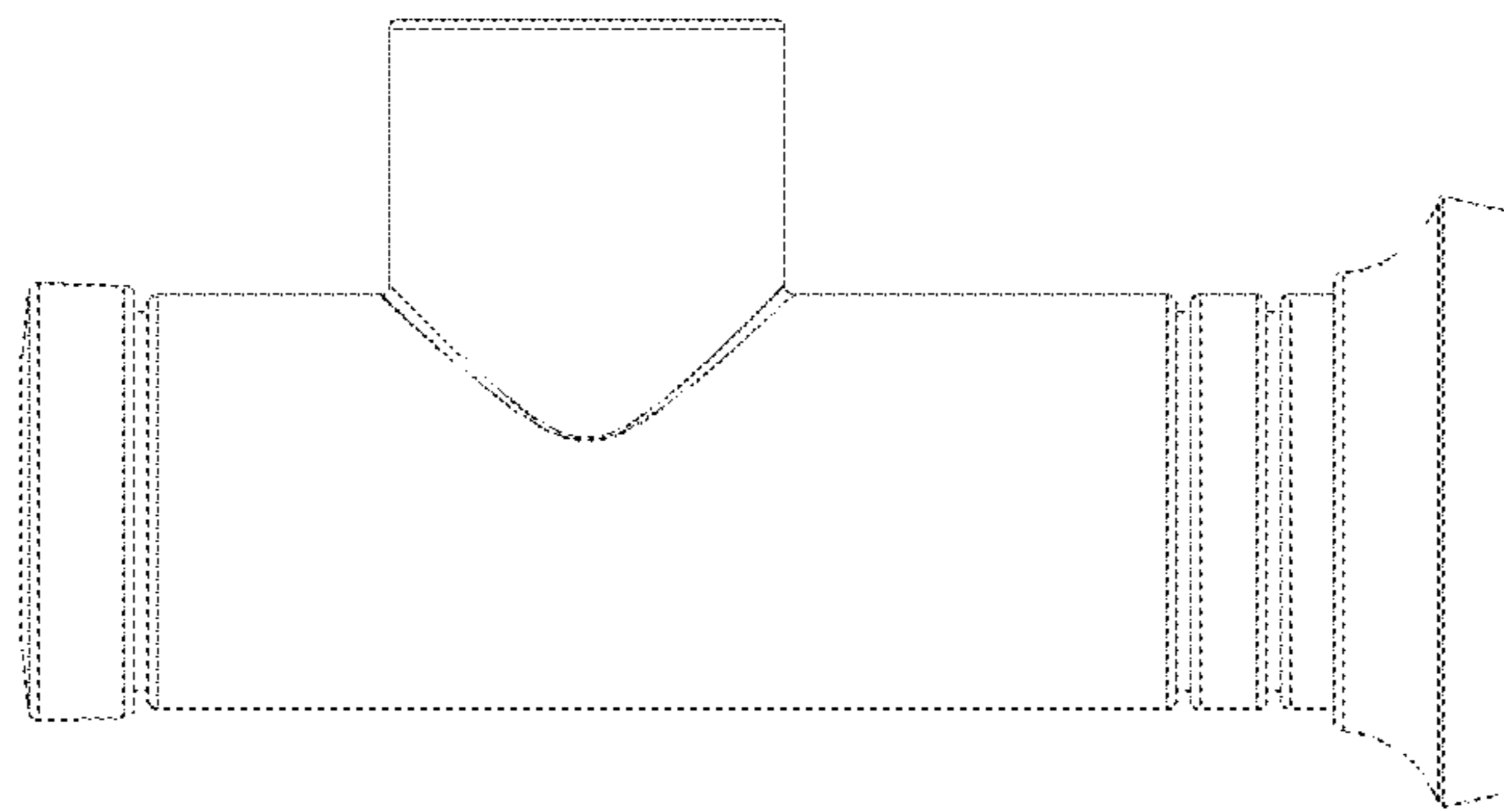


FIG - 3



FIG. 6

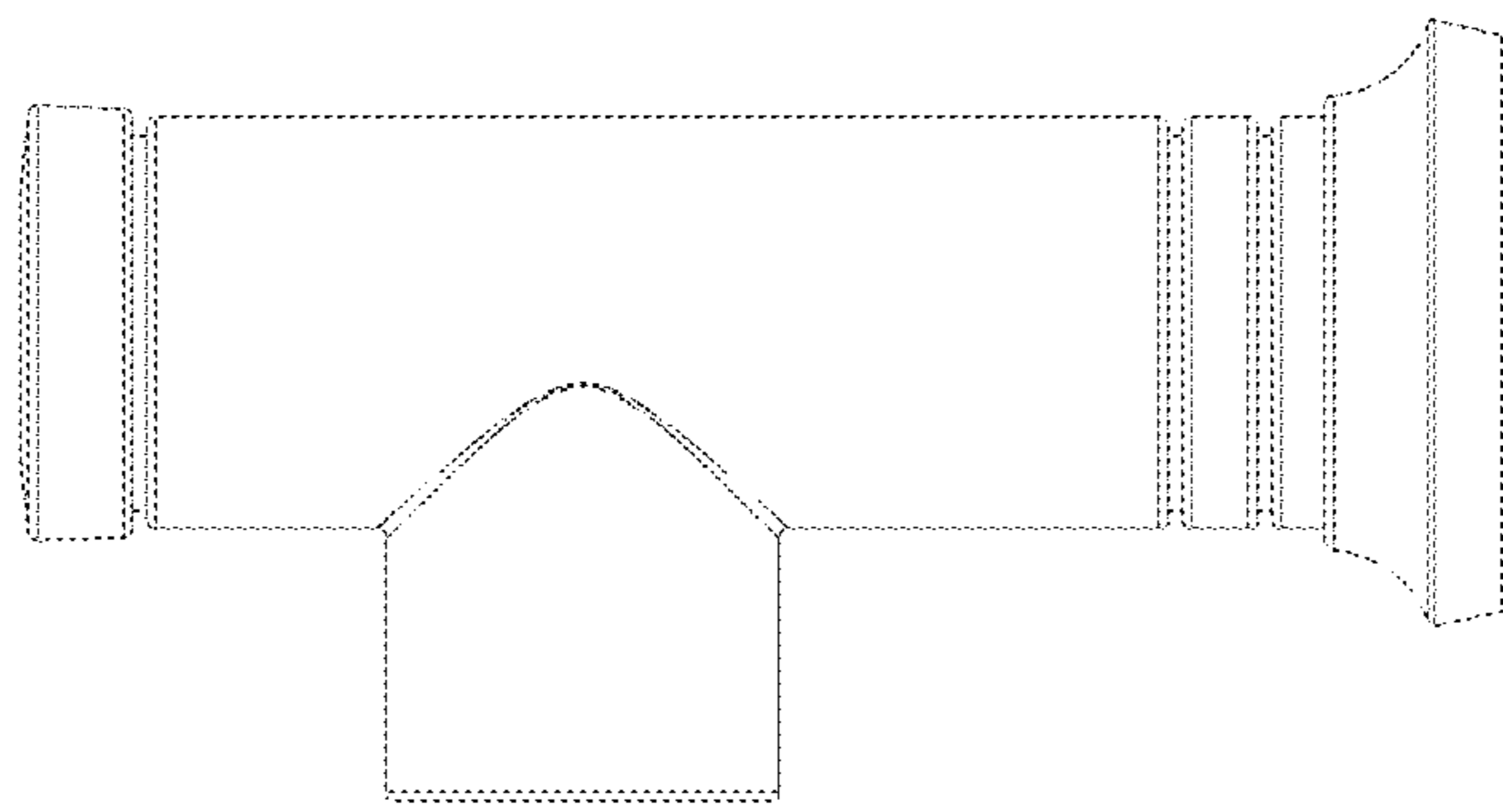


FIG. 5

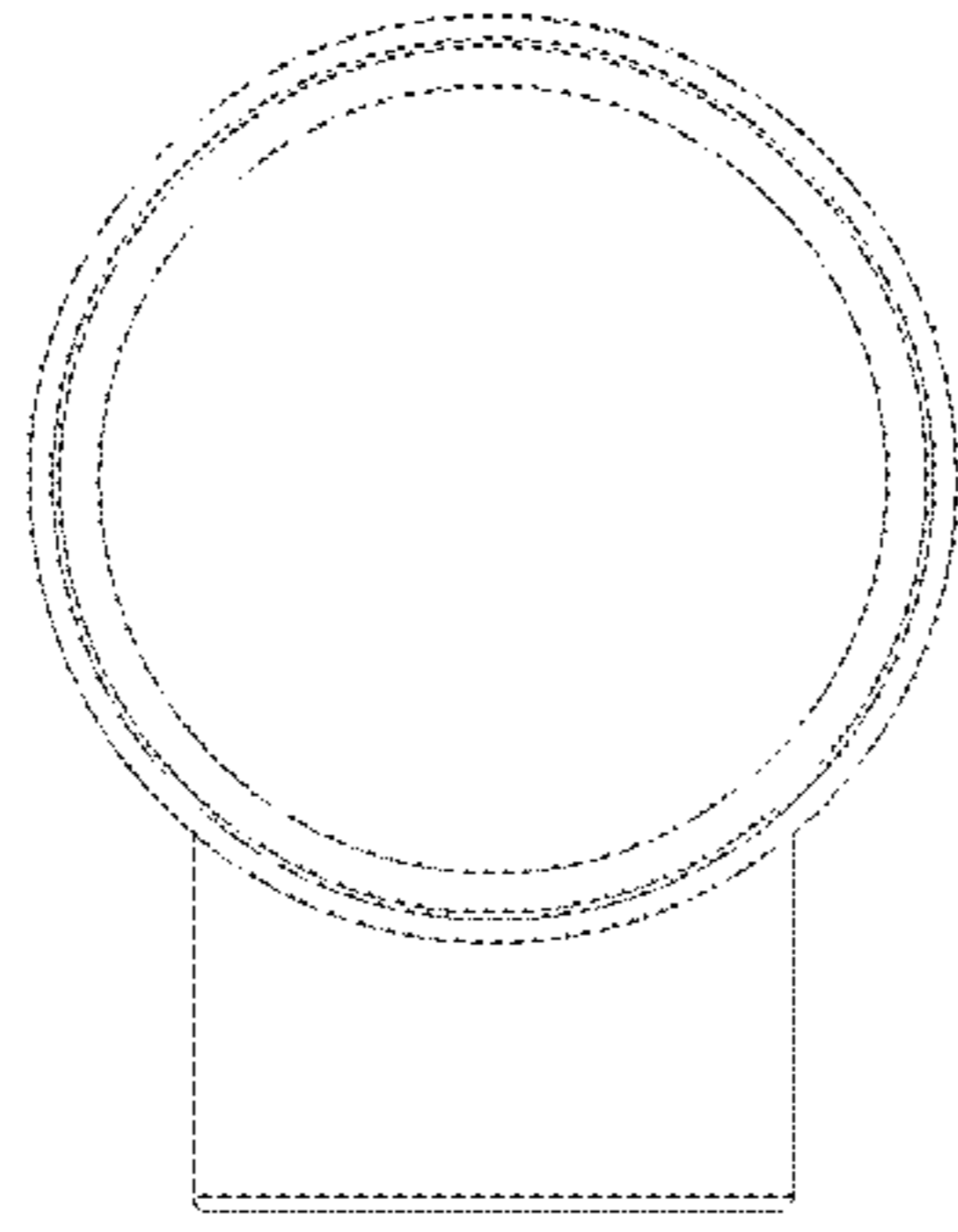


FIG. 8

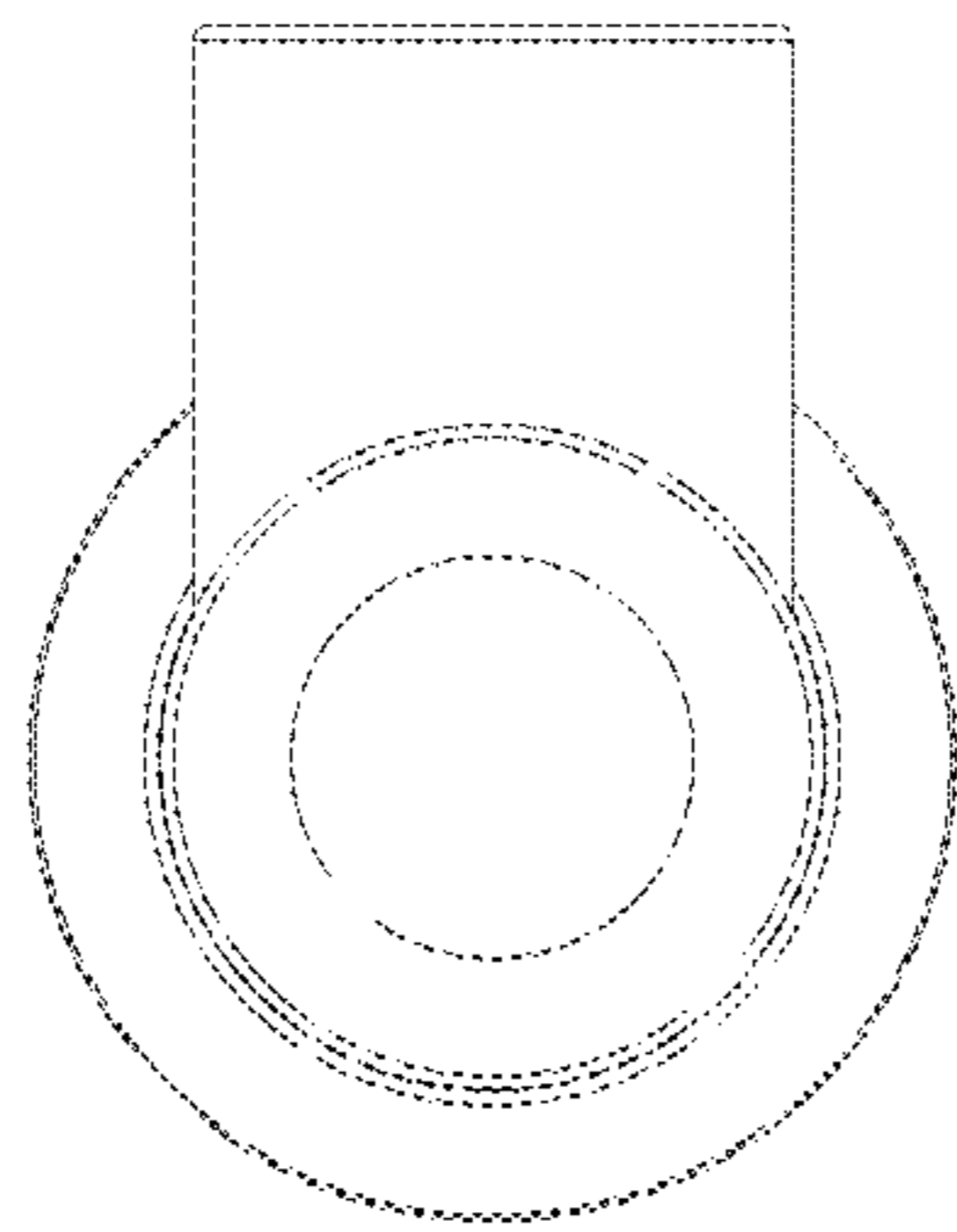


FIG. 7