



US00D939666S

(12) **United States Design Patent** (10) **Patent No.:** **US D939,666 S**
Stoler (45) **Date of Patent:** **** Dec. 28, 2021**

(54) **FAUCET BODY**

FOREIGN PATENT DOCUMENTS

(71) Applicant: **DELTA FAUCET COMPANY,**
Indianapolis, IN (US)

CA 183097 * 8/2018
CN 304500223 * 8/2017

(72) Inventor: **Benjamin Stoler,** Carmel, IN (US)

OTHER PUBLICATIONS

(73) Assignee: **DELTA FAUCET COMPANY,**
Indianapolis, IN (US)

KOHLER Bellera Pull Down Kitchen Faucet, first available May 21, 2011 [online], [site visited Jul. 27, 2021]. Available from internet, URL :< <https://www.amazon.com/dp/B0053XPRIE?tag=merchdope1-20>> (Year: 2011).*

(**) Term: **15 Years**

Moen Brantford Motionsense Wave Touchless One-Handle Pulldown Kitchen Faucet, announced Dec. 1, 2018[online], [site visited Jul. 28, 2021]. Available from internet, URL:< <https://www.amazon.com/Moen-Brantford-Motionsense-One-Handle-7185EWC/dp/B07MHJX584>> (Year: 2018).*

(21) Appl. No.: **29/746,413**

(22) Filed: **Aug. 13, 2020**

(51) **LOC (13) Cl.** **23-01**

(52) **U.S. Cl.**
USPC **D23/238**

(58) **Field of Classification Search**
USPC D23/238–243, 249, 255, 257
CPC E03C 1/0401; E03C 1/0402; E03C 1/0404;
E03C 1/0405; E03C 1/0412
See application file for complete search history.

* cited by examiner

Primary Examiner — Barbara Fox

Assistant Examiner — Jamaal Rasheed

(74) *Attorney, Agent, or Firm* — Nirav D. Parikh; Edgar A. Zarins

(56) **References Cited**

U.S. PATENT DOCUMENTS

D761,392 S *	7/2016	Hanna	D23/255
10,234,049 B1 *	3/2019	He	E03C 1/0403
D870,853 S *	12/2019	Garland	D23/238
D871,558 S *	12/2019	Eads	D23/257
D873,385 S *	1/2020	Tentler	D23/257
D876,588 S *	2/2020	Garland	D23/238
D877,297 S *	3/2020	Tentler	D23/238
D883,434 S *	5/2020	Lu	D23/238
D883,435 S *	5/2020	Lu	D23/238
D914,155 S *	3/2021	Zhu	D23/249
D923,147 S *	6/2021	Zhen	D23/238
D924,362 S *	7/2021	Zhu	D23/238
D924,363 S *	7/2021	Zhu	D23/238

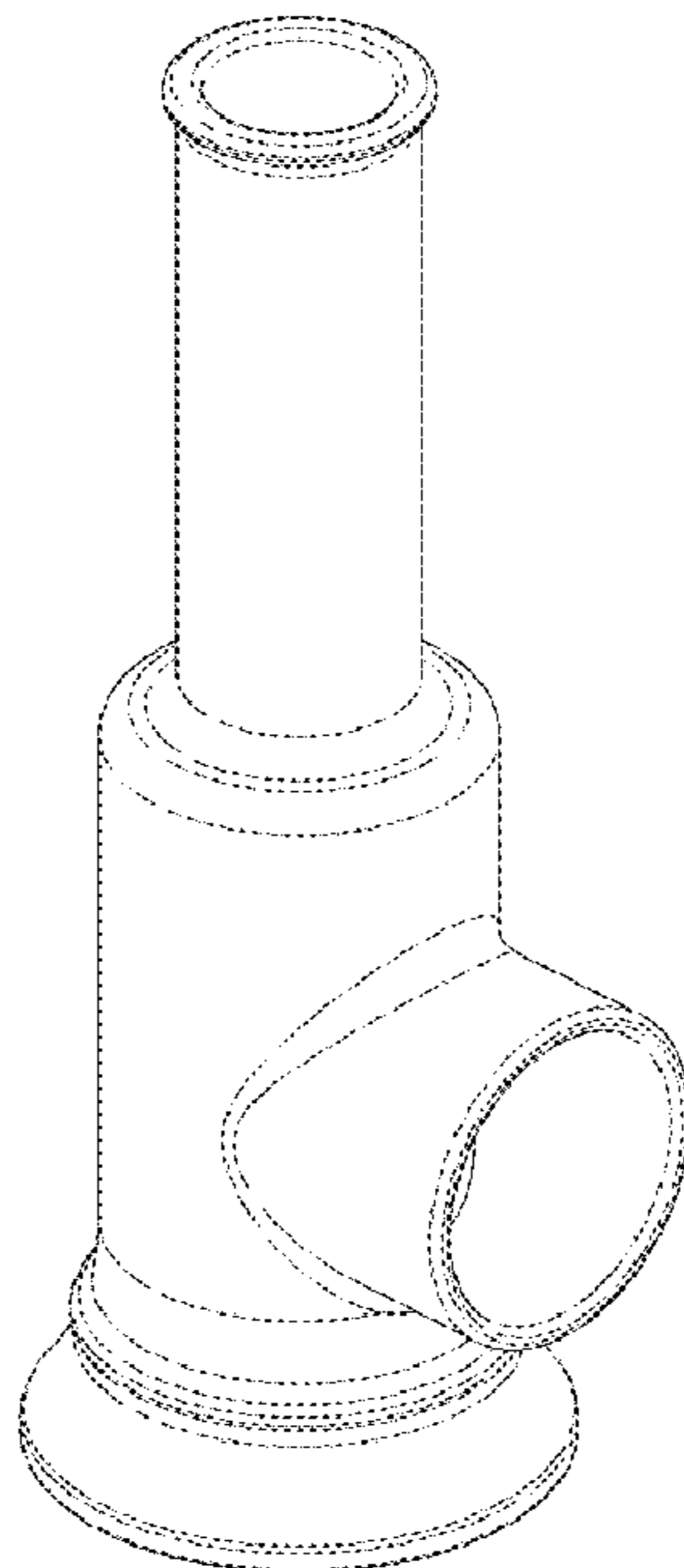
(57) **CLAIM**

The ornamental design for a faucet body, as shown and described.

DESCRIPTION

FIG. 1 is a rear perspective view of a faucet body showing my new design;
FIG. 2 is a front perspective view thereof;
FIG. 3 is a front elevational view thereof;
FIG. 4 is a left side view thereof;
FIG. 5 is a rear view thereof;
FIG. 6 is a right side view thereof;
FIG. 7 is a top plan view thereof; and,
FIG. 8 is a bottom view thereof.

1 Claim, 4 Drawing Sheets



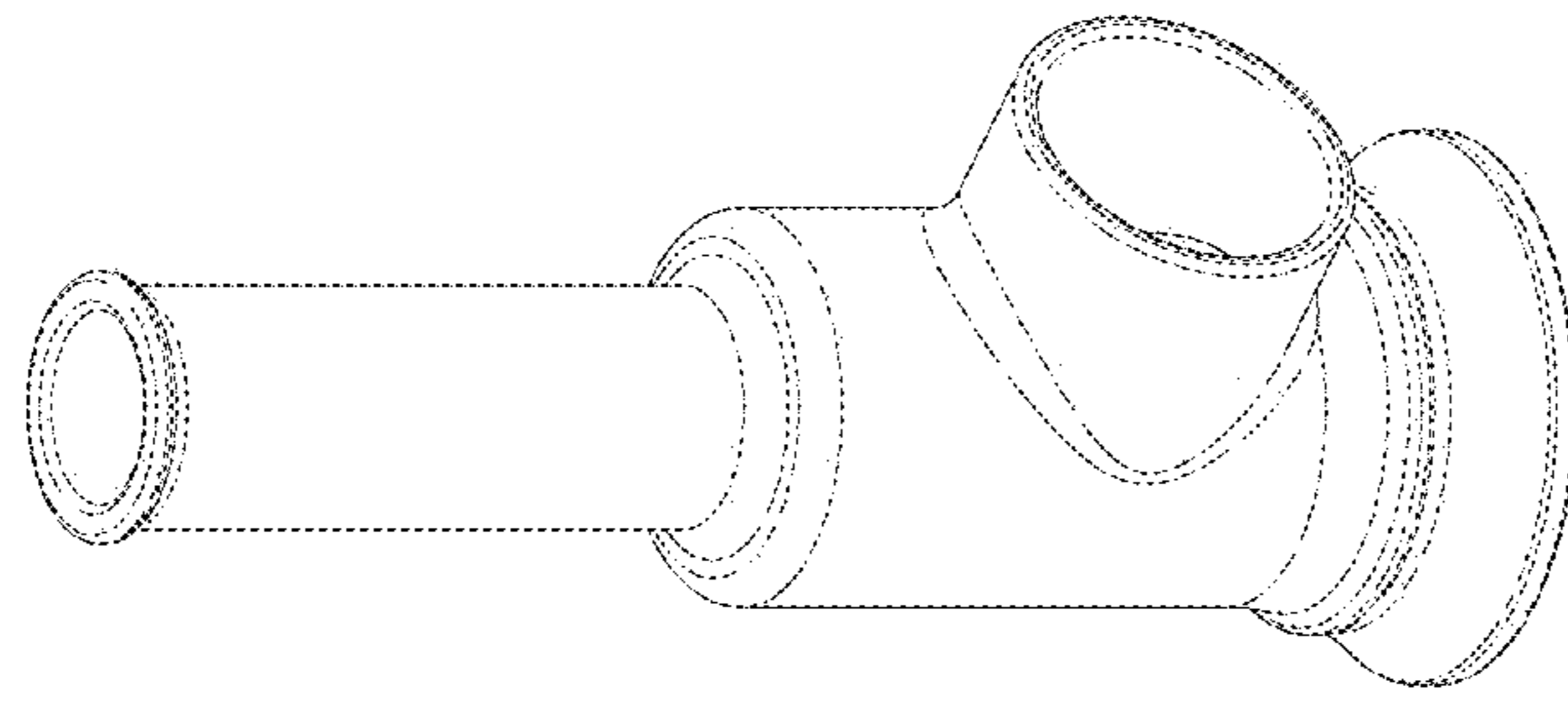


FIG - 2

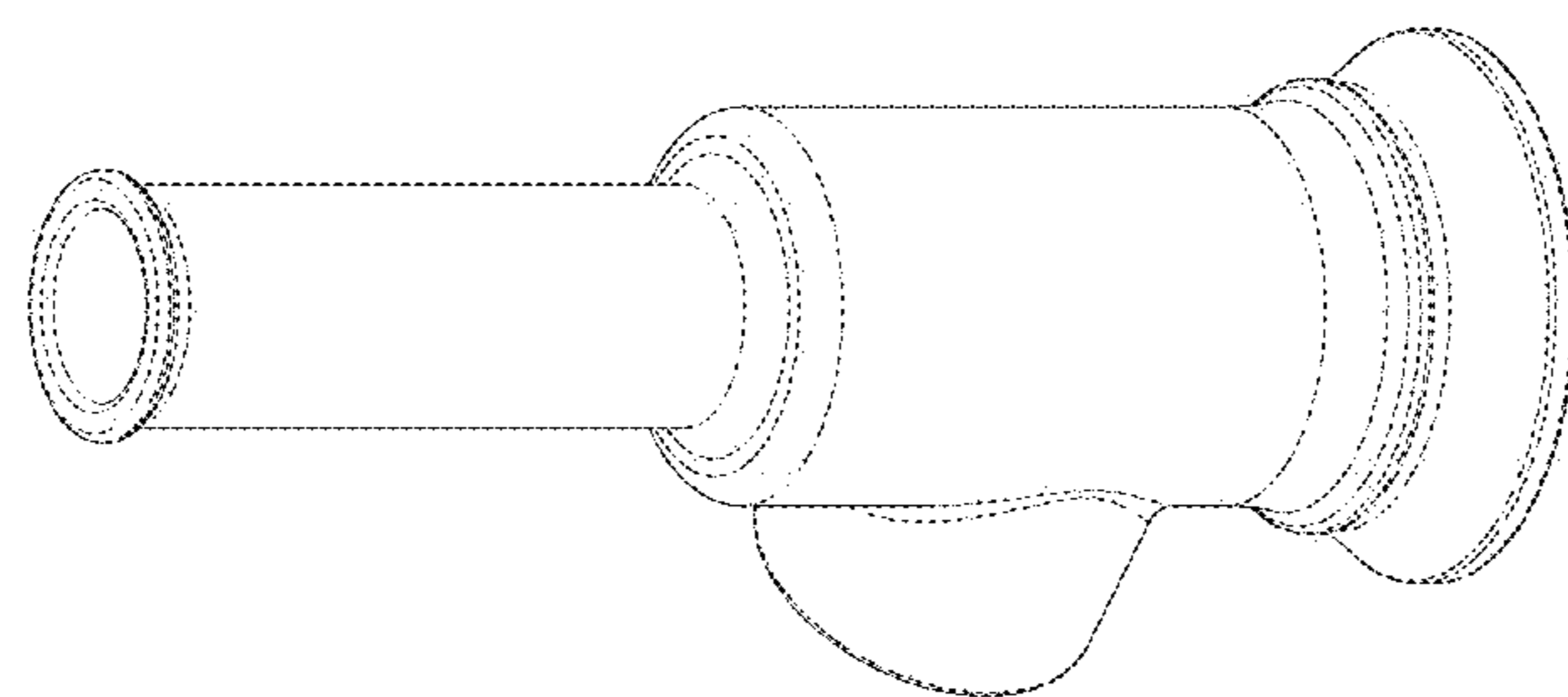


FIG - 1

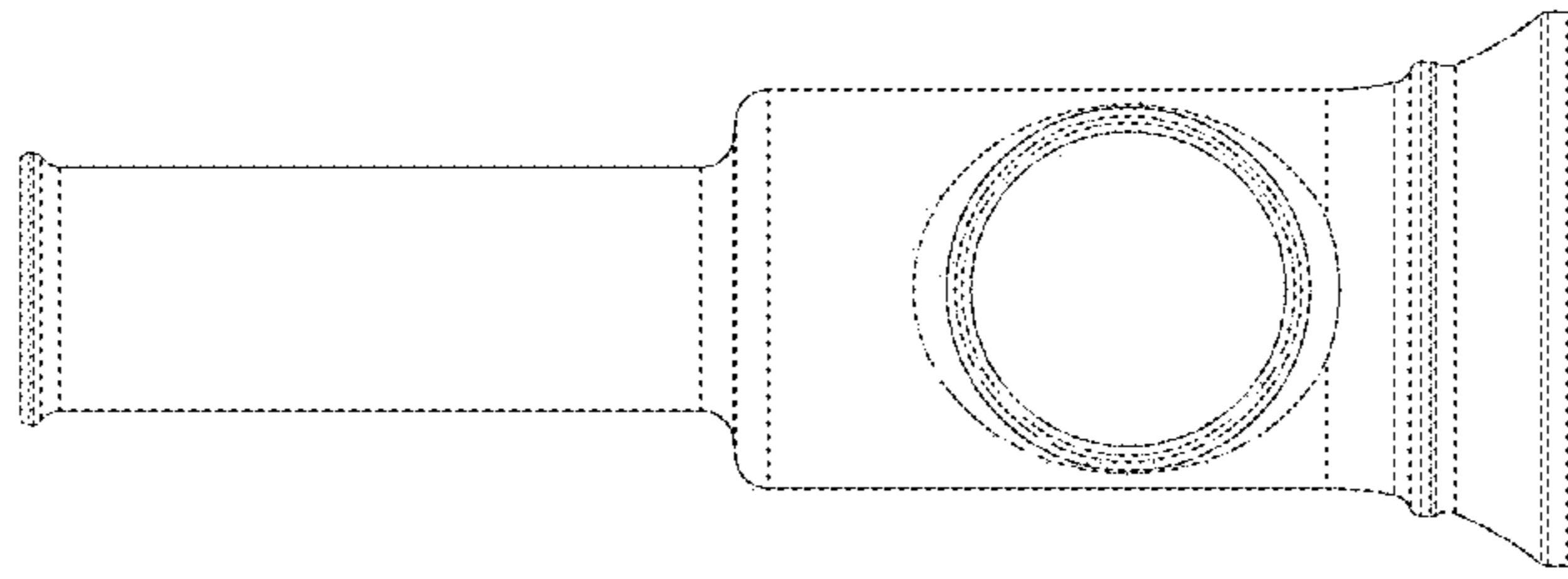


FIG - 4

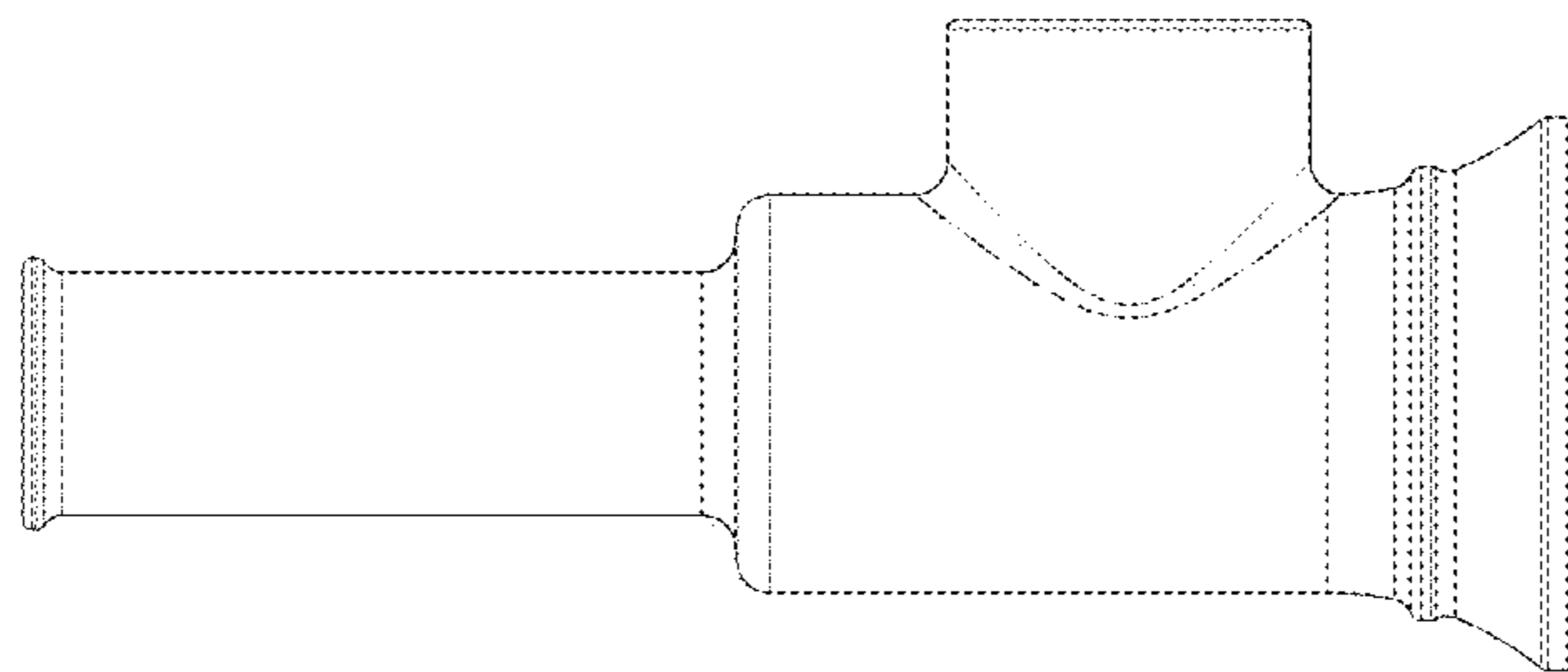


FIG - 3

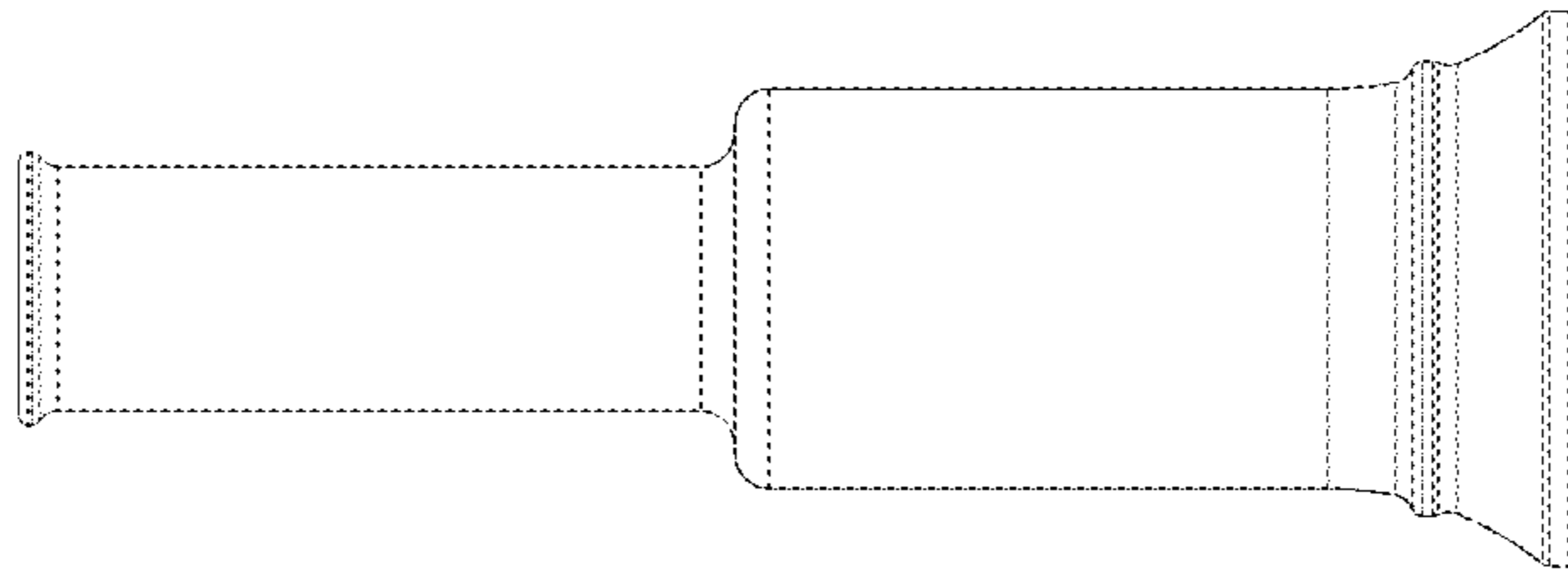


FIG - 6

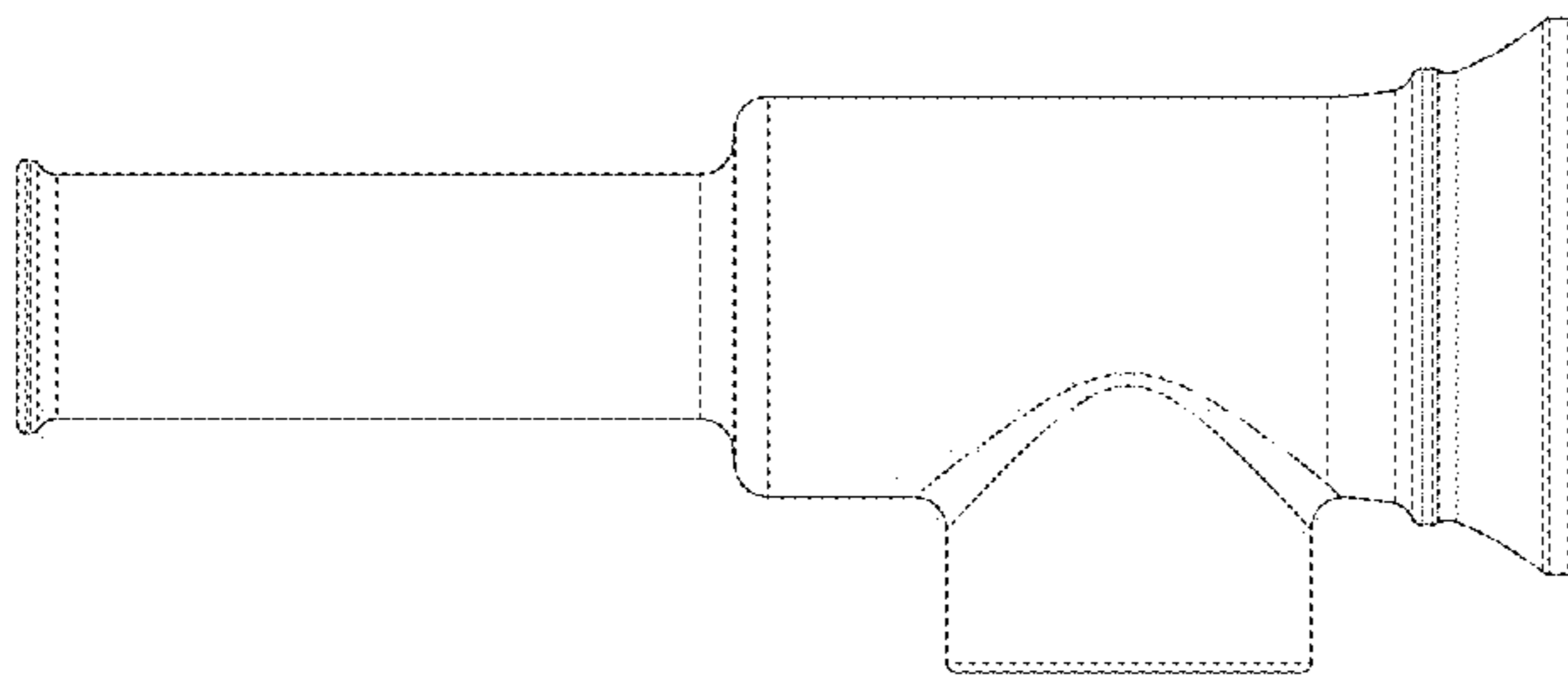


FIG - 5

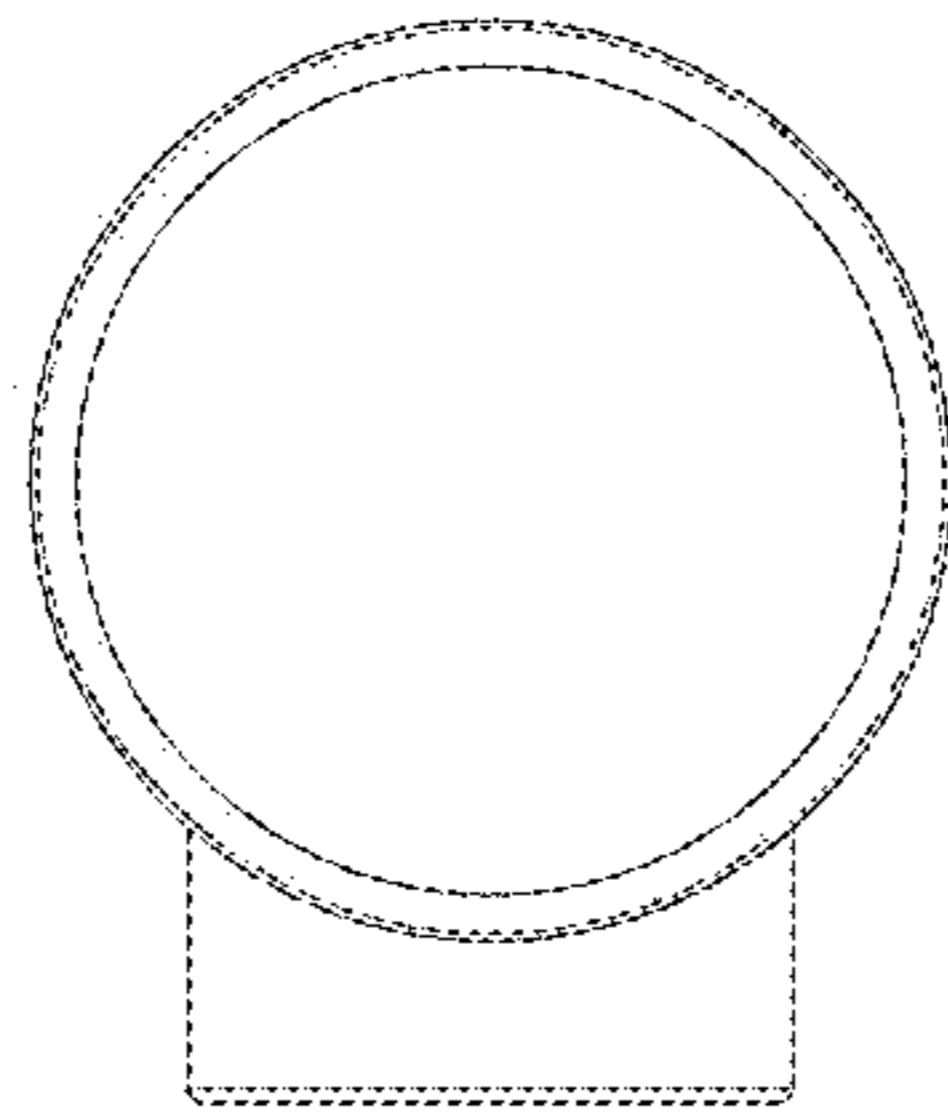


FIG - 8

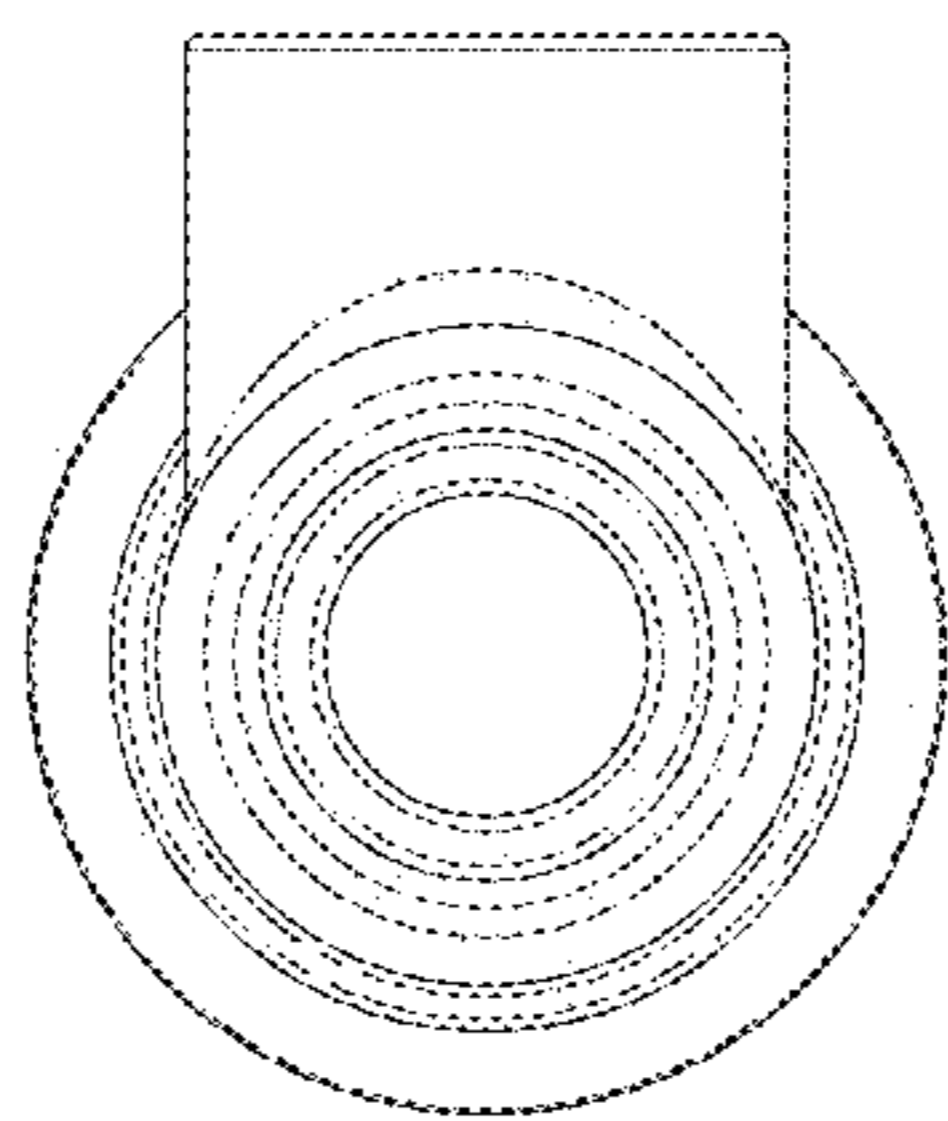


FIG - 7