



US00D939665S

(12) **United States Design Patent**
Jiang

(10) **Patent No.:** **US D939,665 S**

(45) **Date of Patent:** **** Dec. 28, 2021**

- (54) **BIDET SPRAYER**
- (71) Applicant: **Xiamen Soothingware Sanitary Co., Ltd.**, Xiamen (CN)
- (72) Inventor: **Jianbing Jiang**, Xiamen (CN)
- (73) Assignee: **XIAMEN SOOTHINGWARE SANITARY CO., LTD.**, Xiamen (CN)

- 4,596,058 A * 6/1986 Nourbakhsh E03D 9/085
4/420.1
- 4,907,744 A * 3/1990 Jousson A61C 17/0202
137/625.44
- D343,447 S * 1/1994 Thaler D23/295
- 5,685,028 A * 11/1997 Miller E03C 1/20
4/443
- 5,937,451 A * 8/1999 Mihara E03D 9/085
4/448
- 5,987,659 A * 11/1999 Cannizzaro E03D 9/085
4/420.2
- D444,846 S * 7/2001 Cross D23/213

- (**) Term: **15 Years**
- (21) Appl. No.: **29/745,716**

(22) Filed: **Aug. 7, 2020**

(30) **Foreign Application Priority Data**

Jun. 15, 2020 (CN) 202030302786.9

(51) **LOC (13) Cl.** **23-01**

(52) **U.S. Cl.**
USPC **D23/226**

(58) **Field of Classification Search**
USPC D23/213, 214, 223, 226, 228, 229, 230,
D23/238, 239, 240, 241, 242, 249, 250,
D23/255, 257
CPC B05B 1/16; B05B 1/1618; B05B 1/18;
B05B 1/185; B05B 15/62; B05B 15/652;
F16K 31/60; F16K 31/607; E03C 1/02;
E03C 1/04; E03C 1/0401; E03C 1/0402;
E03C 1/0404; E03C 1/0405; E03C
1/0408; E03C 1/06; E03C 1/063; E03C
1/066; E03C 2001/0414; E03C
2001/0415; Y10T 137/9464
See application file for complete search history.

(56) **References Cited**

U.S. PATENT DOCUMENTS

- 4,510,630 A * 4/1985 Osgood E03D 9/085
4/420.1
- D281,098 S * 10/1985 Jennings D23/213

OTHER PUBLICATIONS

RinseWorks ABT-360B, Apr. 4, 2018, Amazon, site visited Aug. 2, 2021: <https://www.amazon.com/dp/B076HYRKNC/> (Year: 2018).*
(Continued)

Primary Examiner — Jack Reickel
Assistant Examiner — Bobby W Jones, II
(74) *Attorney, Agent, or Firm* — Muncy, Geissler, Olds & Lowe, P.C.

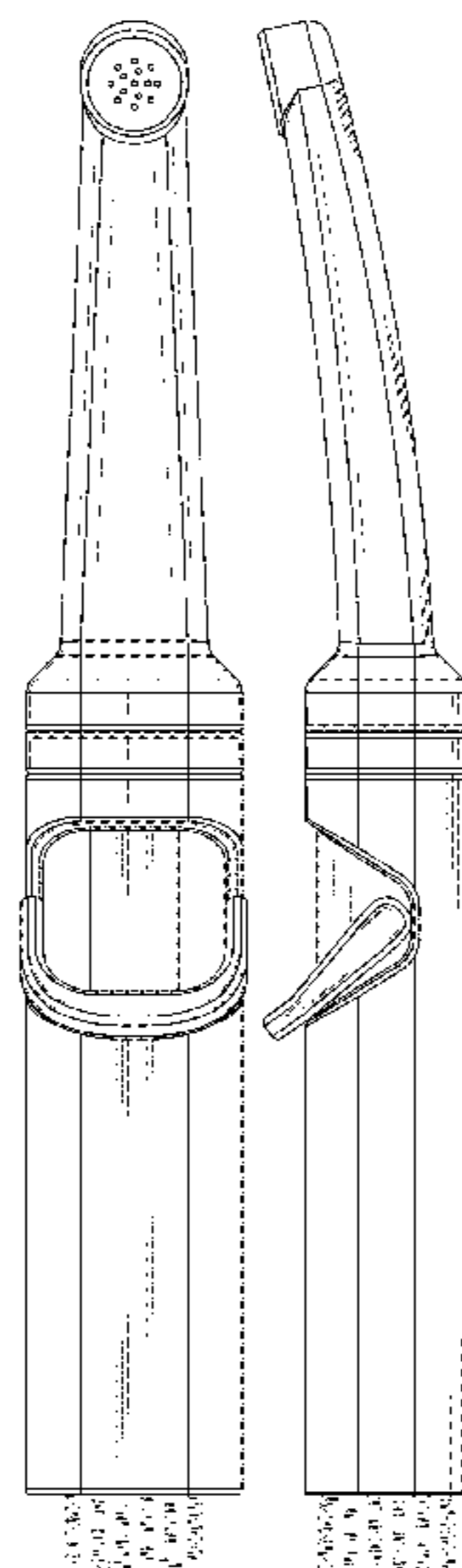
(57) **CLAIM**

The ornamental design for a bidet sprayer, as shown and described.

DESCRIPTION

FIG. 1 is a front elevational view of a bidet sprayer showing the new design;
FIG. 2 is a rear elevational view thereof;
FIG. 3 is a left-side elevational view thereof;
FIG. 4 is a right-side elevational view thereof;
FIG. 5 is a top plan view thereof;
FIG. 6 is a bottom plan view thereof; and,
FIG. 7 is a perspective view thereof.
The broken line showing of a bidet sprayer is included for the purpose of illustrating portions of the article and forms no part of the claimed design.

1 Claim, 7 Drawing Sheets



(56)

References Cited

U.S. PATENT DOCUMENTS

6,611,971 B1 * 9/2003 Antonello E03C 1/0408
 137/218
 6,827,039 B1 * 12/2004 Nelson A01K 13/001
 119/604
 D633,174 S * 2/2011 Lee D23/213
 7,913,329 B2 * 3/2011 Smith E03D 9/085
 4/420.4
 D652,109 S * 1/2012 Nichols D23/223
 D652,894 S * 1/2012 Nichols D23/223
 8,281,423 B2 * 10/2012 Taylor A61M 3/0216
 4/420.4
 D731,026 S * 6/2015 Bahler D23/223
 9,566,593 B2 * 2/2017 Marty B05B 15/652
 D868,208 S * 11/2019 Garland D23/223
 D875,210 S * 2/2020 Thurgood D23/223
 10,737,013 B2 * 8/2020 Foley A61M 3/0212
 D909,533 S * 2/2021 Zhang D23/213
 2007/0061956 A1 * 3/2007 Yu E03D 9/085
 4/443
 2011/0302709 A1 * 12/2011 Taylor A61M 3/0208
 4/443
 2014/0259352 A1 * 9/2014 Jones E03D 9/085
 4/443
 2016/0250651 A1 * 9/2016 Ayers B05B 12/002
 239/391

OTHER PUBLICATIONS

SonTiy Bidet Sprayer, May 22, 2019, Amazon, site visited Aug. 2, 2021: <https://www.amazon.co.uk/dp/B07S5YSCJ7/> (Year: 2019).*

* cited by examiner

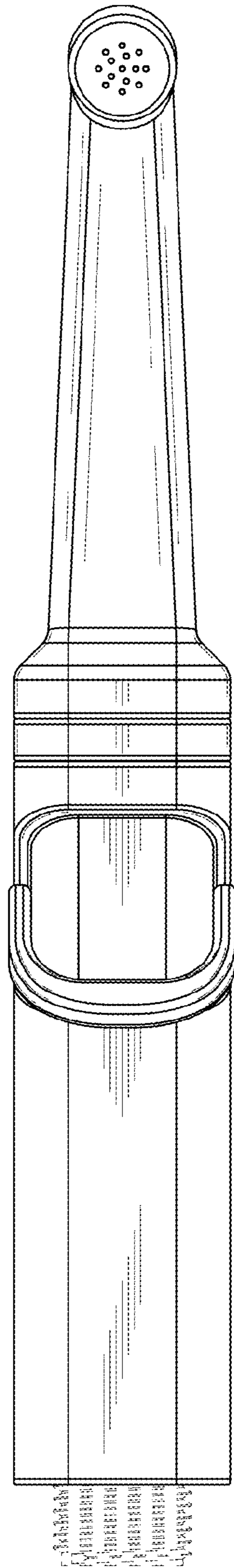


FIG. 1

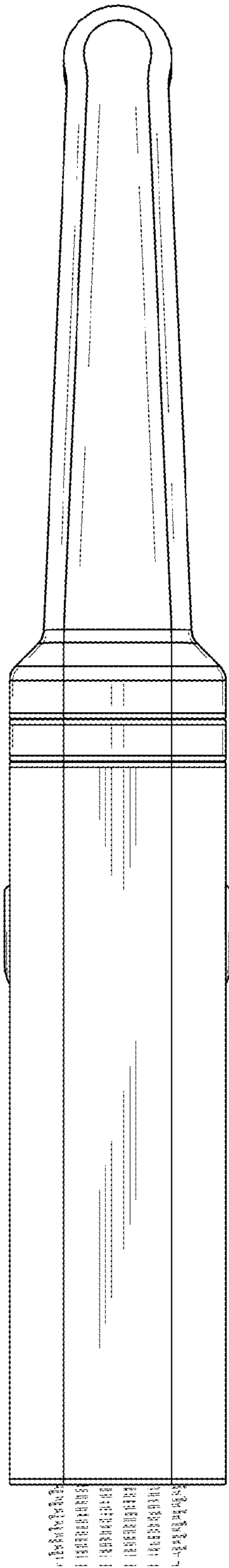


FIG. 2

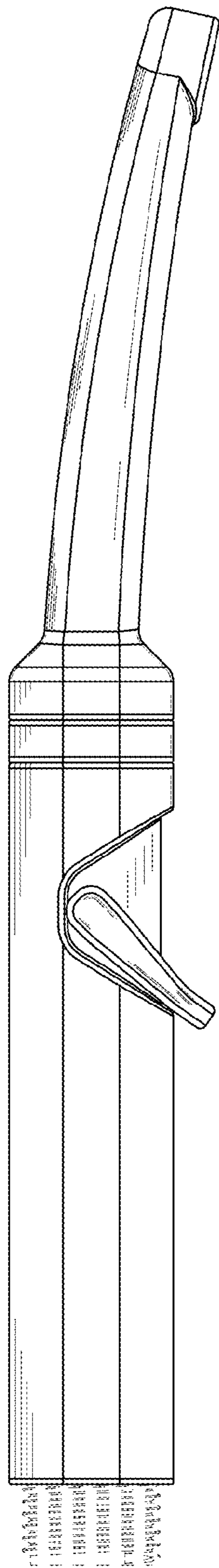


FIG. 3

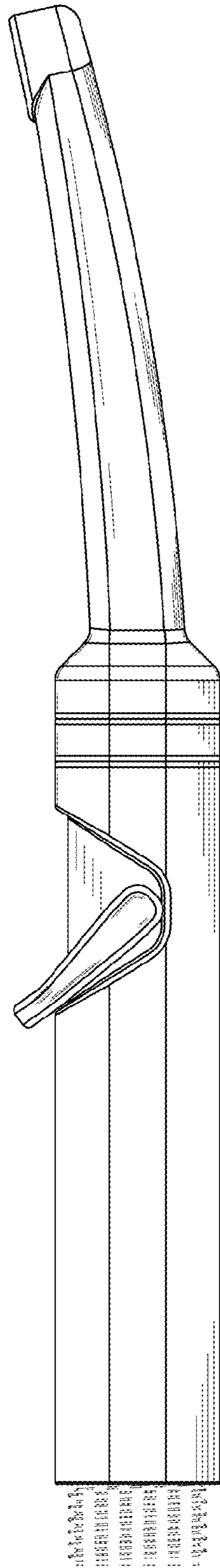


FIG. 4

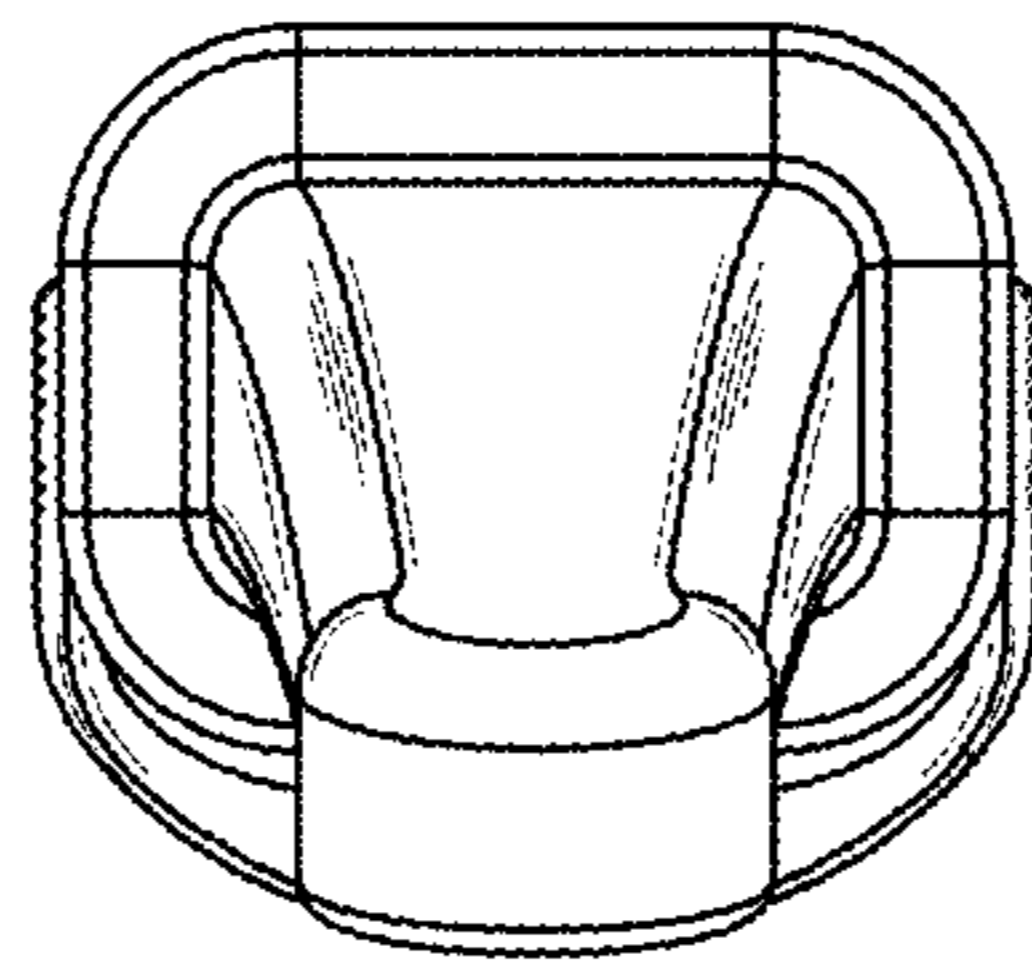


FIG. 5

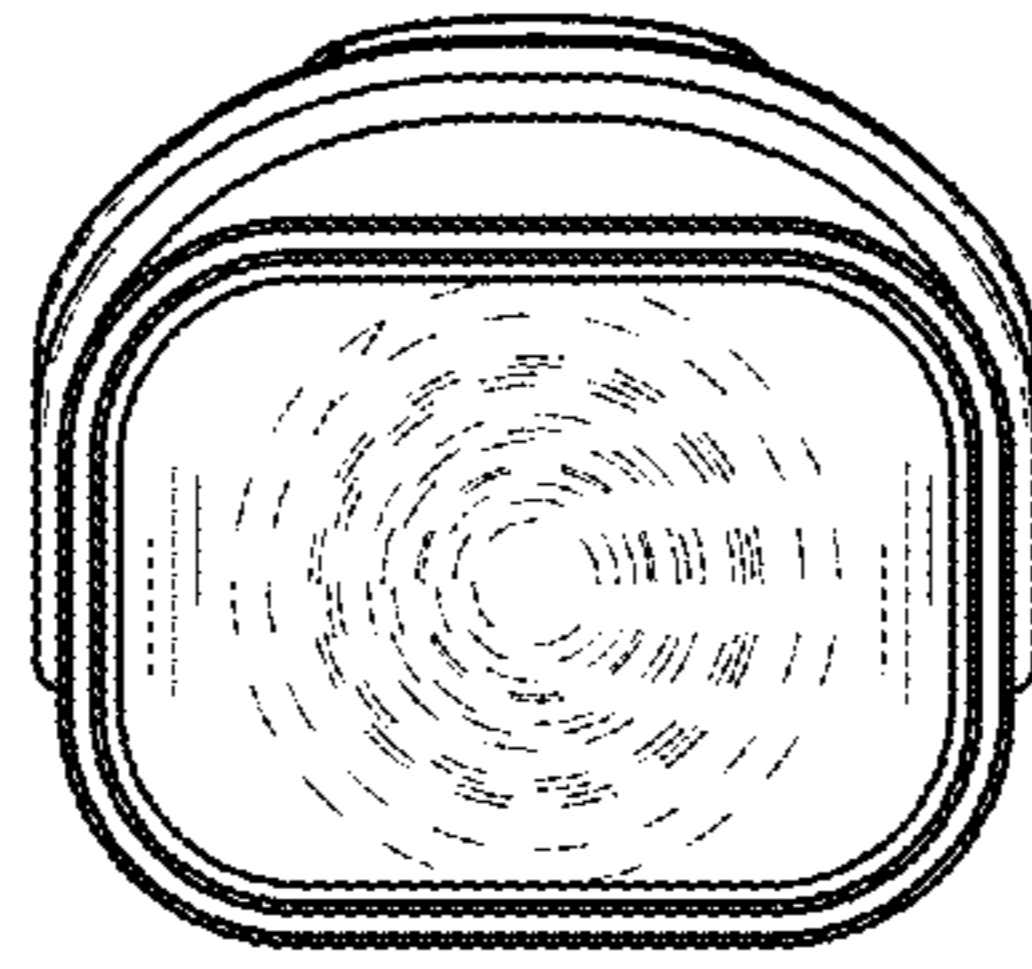


FIG. 6

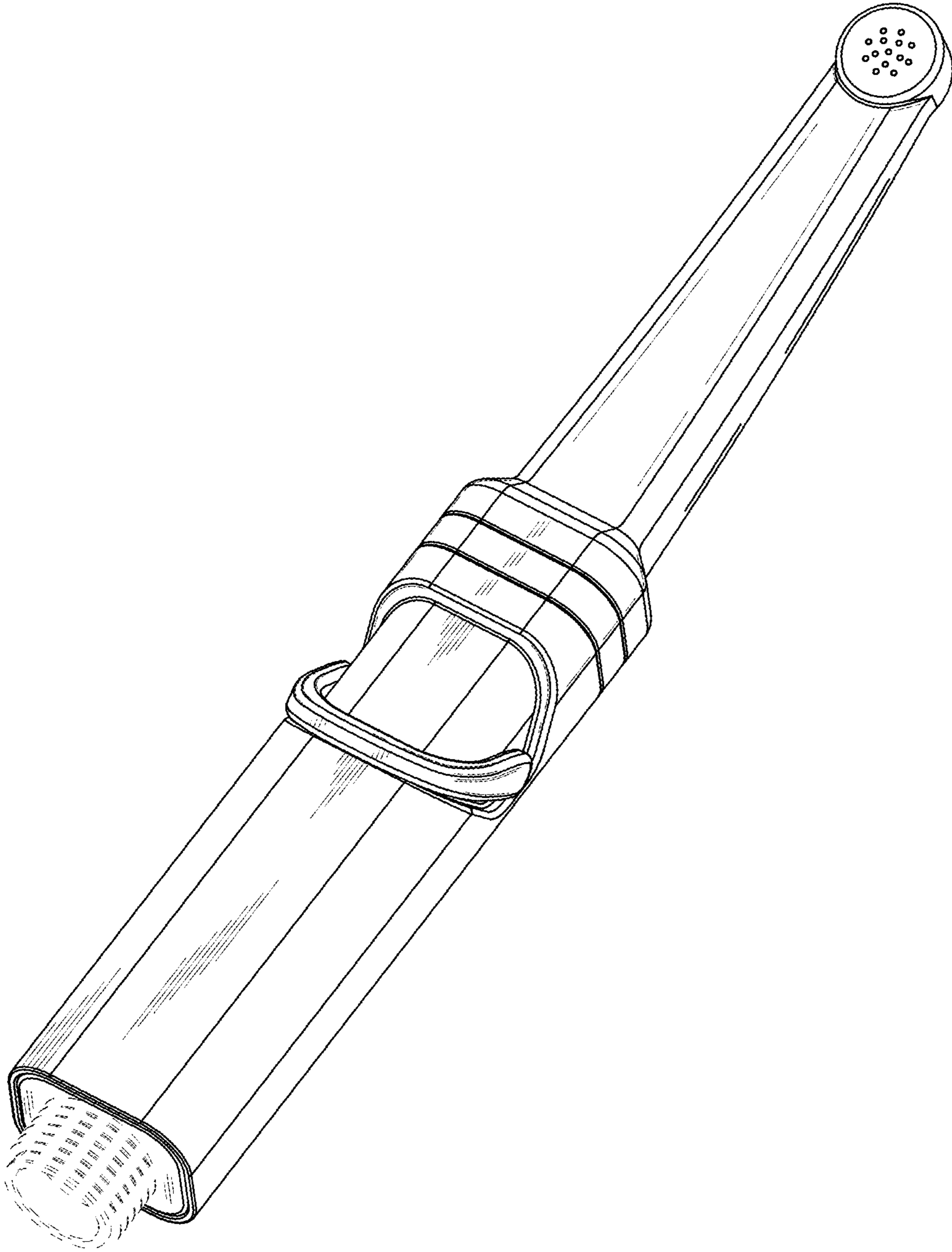


FIG. 7