



US00D939662S

(12) **United States Design Patent** (10) **Patent No.:** **US D939,662 S**
Eads (45) **Date of Patent:** **** Dec. 28, 2021**

(54) **SHOWERHEAD**
(71) Applicant: **DELTA FAUCET COMPANY,**
Indianapolis, IN (US)
(72) Inventor: **Thad Eads,** Urbana, IN (US)
(73) Assignee: **DELTA FAUCET COMPANY,**
Indianapolis, IN (US)

D751,174 S * 3/2016 Schoenherr D23/213
D757,894 S * 5/2016 Schoenherr D23/213
D758,532 S * 6/2016 Schoenherr D23/213
D828,491 S * 9/2018 Schoenherr D23/213
D828,905 S * 9/2018 Schoenherr D23/213
D849,191 S * 5/2019 Cocks D23/213
D908,188 S * 1/2021 Seum D23/213
D919,044 S * 5/2021 Yan D23/213
D920,472 S * 5/2021 Chew D23/213

(Continued)

(**) Term: **15 Years**
(21) Appl. No.: **29/678,045**
(22) Filed: **Jan. 25, 2019**
(51) **LOC (13) Cl.** **23-01**
(52) **U.S. Cl.**
USPC **D23/213**
(58) **Field of Classification Search**
USPC D23/213, 214, 215, 223, 224, 226, 229,
D23/230
CPC A61H 9/0021; A61H 33/00; B05B 1/00;
B05B 1/14; B05B 1/185; B05B 1/08;
B05B 1/02; B05B 1/26; B05B 12/002;
B05B 1/18; B05B 9/01
See application file for complete search history.

OTHER PUBLICATIONS

<https://www.flipkart.com/prestige-8x8-abs-shower-12-inch-square-arm-head/product-reviews/itmexgfhnmsgejzu?pid=SHDEXGFHUSGE7JNX&lid=LSTSHDEXGFHUSGE7JNXTOHWTK&marketplace=FLIPKART&page=2> (Year: 2017).*

(Continued)

Primary Examiner — Jack Reickel
Assistant Examiner — Keith J Wilson
(74) *Attorney, Agent, or Firm* — Nirav D. Parikh; Edgar A. Zarins

(57) **CLAIM**

The ornamental design for a showerhead, as shown and described.

(56) **References Cited**

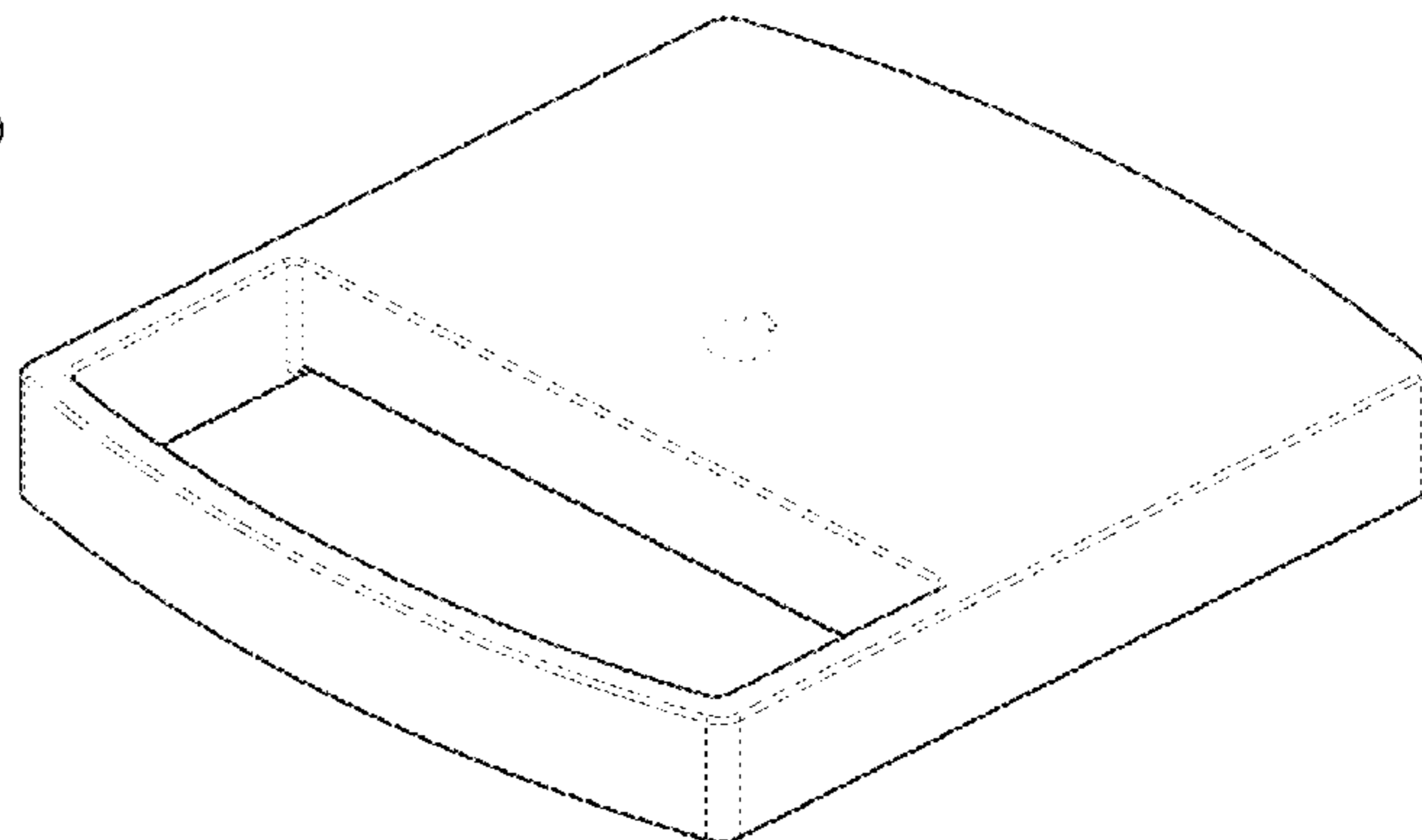
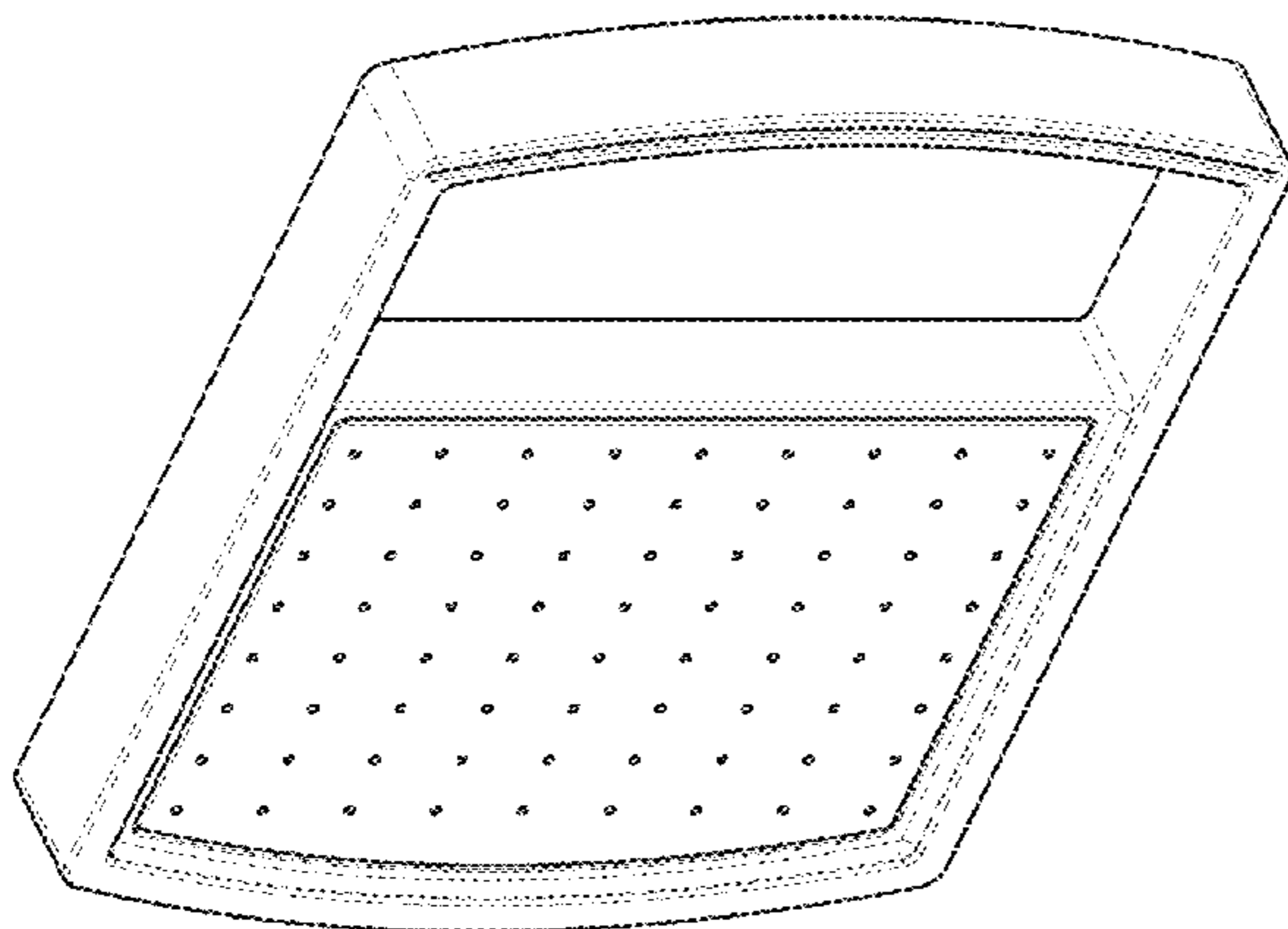
U.S. PATENT DOCUMENTS

D465,824 S * 11/2002 Barry D23/213
D496,987 S * 10/2004 Glunk D23/213
D517,164 S * 3/2006 Lee D23/213
D523,925 S * 6/2006 Hoernig D23/213
D530,389 S * 10/2006 Genslak D23/213
D531,260 S * 10/2006 Luo D23/213
D538,391 S * 3/2007 Mazzola D23/213
D590,046 S * 4/2009 Starck D23/213
D639,384 S * 6/2011 Flowers D23/213
D669,962 S * 10/2012 Schoenherr D23/213
D694,358 S * 11/2013 Schoenherr D23/213
D713,496 S * 9/2014 Schoenherr D23/213
8,851,398 B2 * 10/2014 Li B05B 1/1609
239/222.11
D744,610 S * 12/2015 Citterio D23/213

DESCRIPTION

FIG. 1 is a bottom perspective view of a showerhead showing my new design;
FIG. 2 is a top perspective view thereof;
FIG. 3 is a left side view thereof;
FIG. 4 is a front elevational view thereof;
FIG. 5 is a rear view thereof;
FIG. 6 is a right side view thereof;
FIG. 7 is a top plan view thereof; and,
FIG. 8 is a bottom view thereof.
The broken lines shown represent portions of a showerhead and form no part of the claimed design.

1 Claim, 4 Drawing Sheets



(56)

References Cited

U.S. PATENT DOCUMENTS

D923,744 S * 6/2021 Ravassa D23/213
2021/0048160 A1 * 2/2021 Wang B05B 3/04
2021/0112871 A1 * 4/2021 Kalaydzhyan A24F 40/51

OTHER PUBLICATIONS

American Standard 1660516.295 Town Square S Fixed Showerhead, Aug. 7, 2018, Amazon.com, Aug. 25, 2021.URL: https://www.amazon.com/dp/B07G969RQD/ref=sbl_dpx_B075Q7DRC3_0 (Year: 2018).*

Delta Faucet Single-Spray Shower Head, May 25, 2010, Amazon.com, Aug. 25, 2021,URL: <https://www.amazon.com/Faucet-Single-Spray-Shower-Stainless-RP62283SS/dp/B003W1DCTU> (Year: 2010).*

Showermaxx, Elite Series, 8.5x6.5 inch Rectangular High Pressure Rainfall Shower Head, Aug. 13, 2018, Amazon.com, Aug. 25, 2021 <https://www.amazon.com/ShowerMaxx-Rectangular-MAXX-imize-Restrictor-Showerhead/dp/B07GDN29X3/> (Year: 2018).*

* cited by examiner

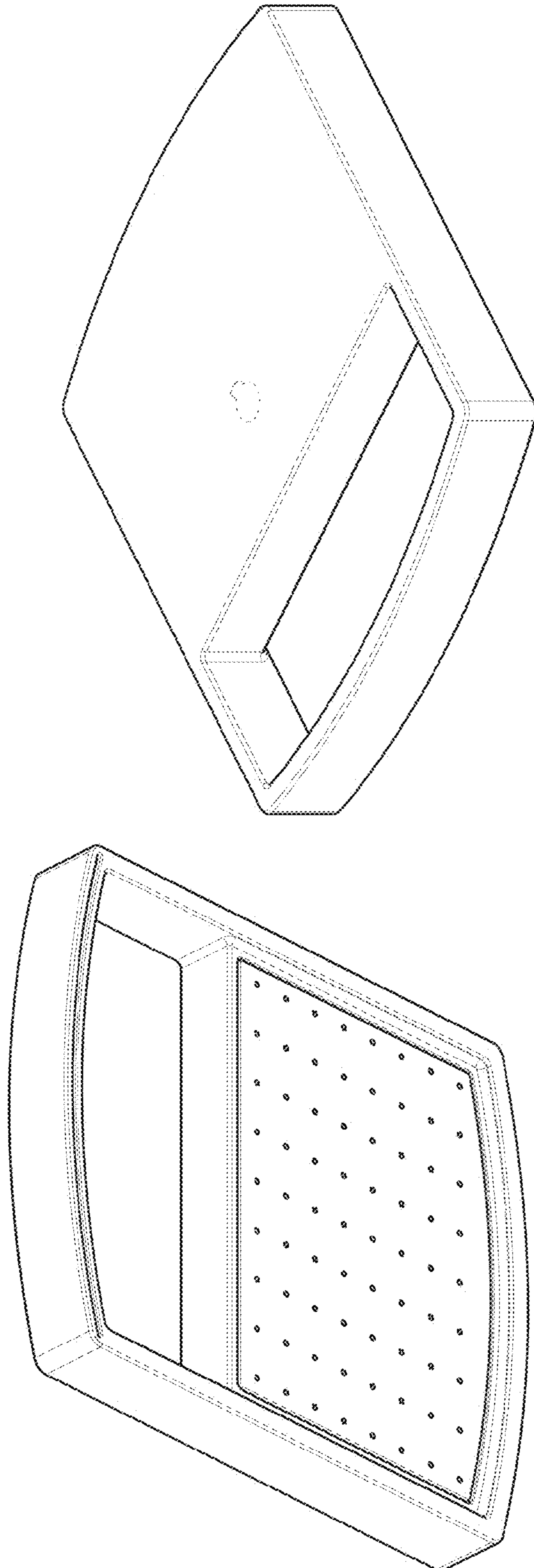


FIG 2

FIG 1

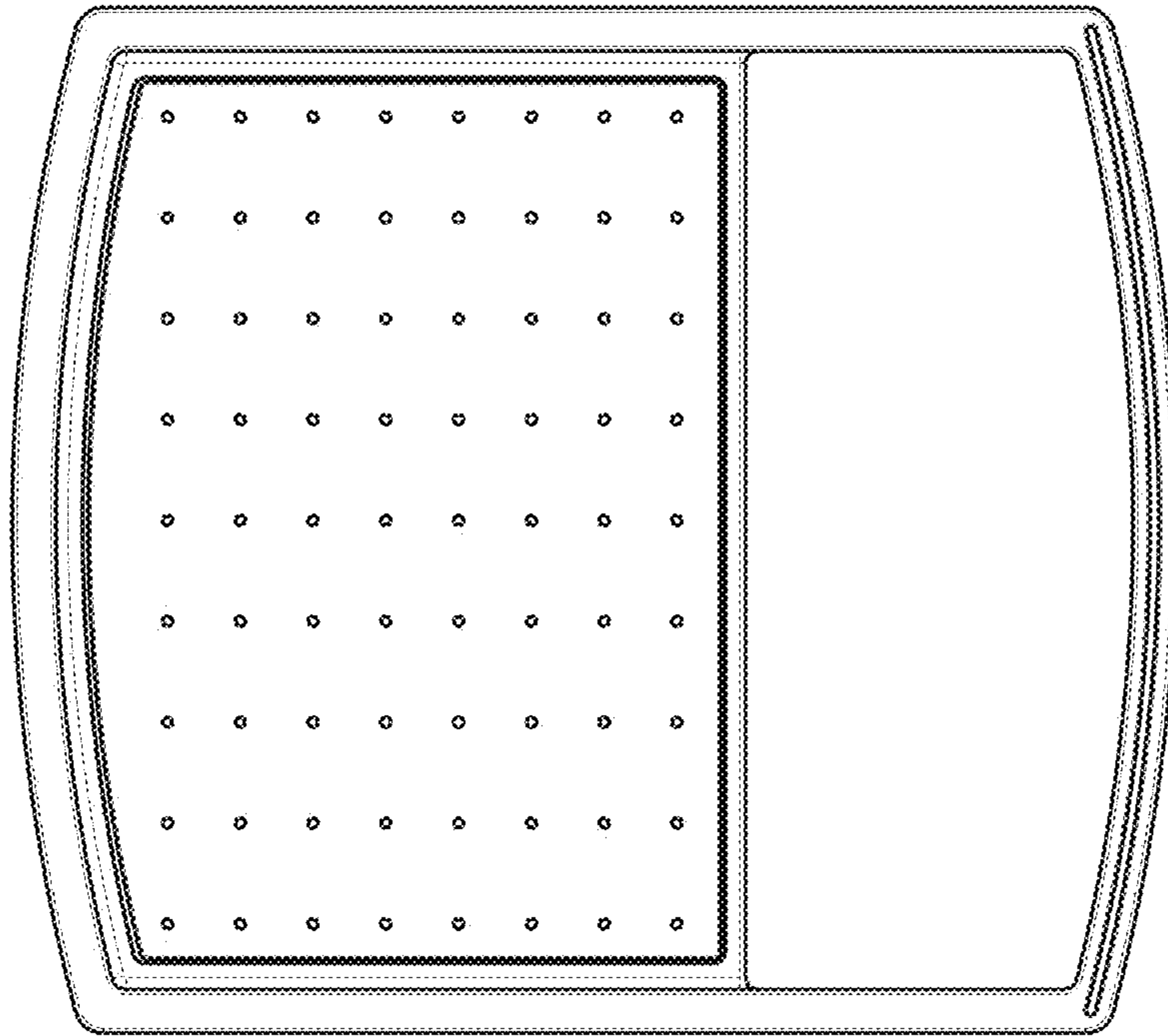


FIG 4

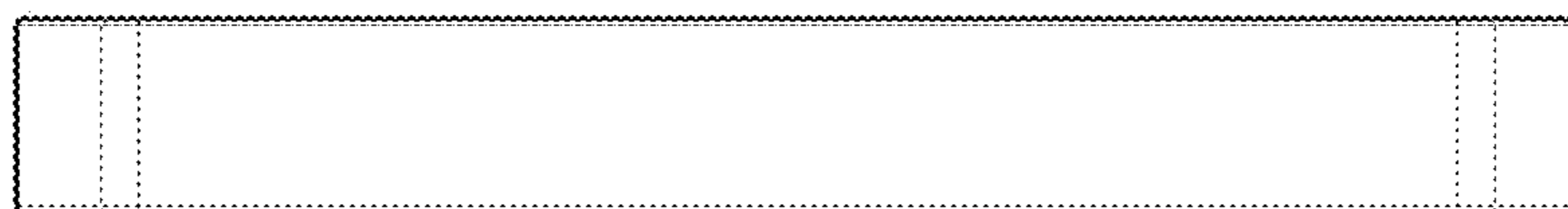


FIG 3



FIG 6

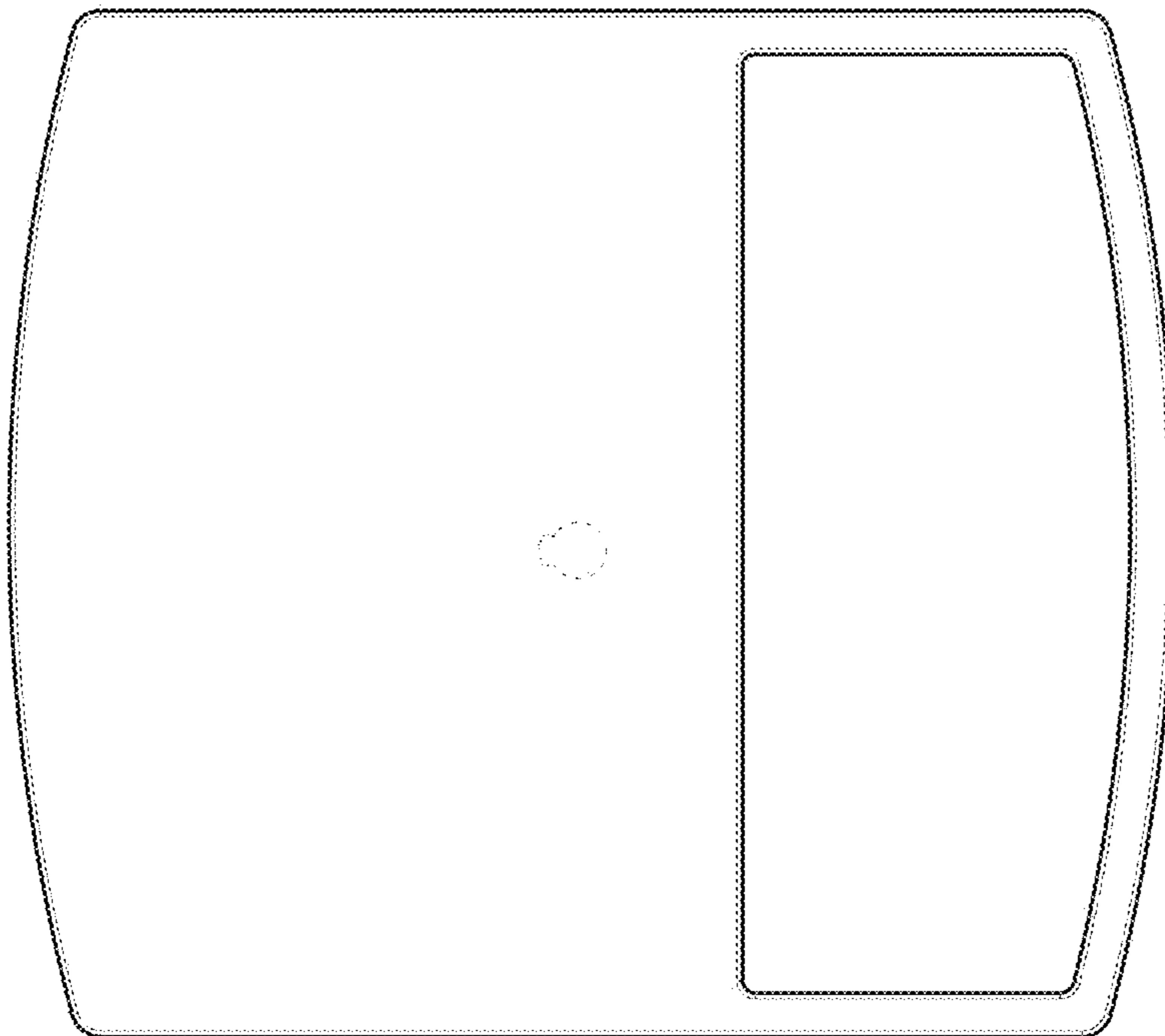


FIG 5

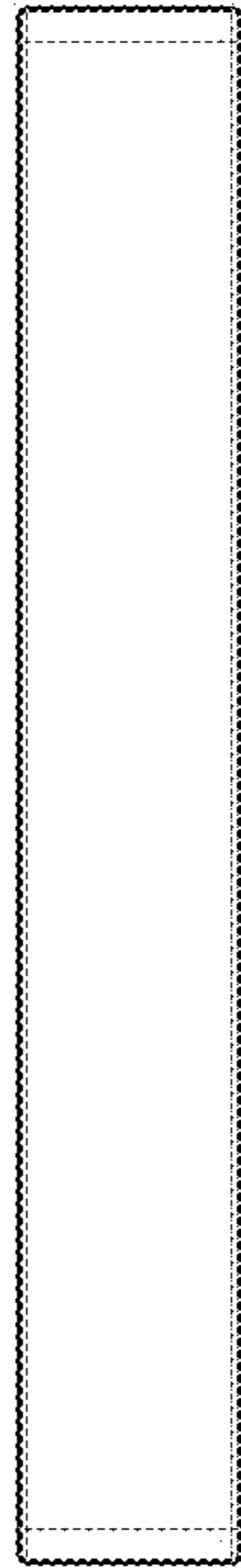


FIG 8

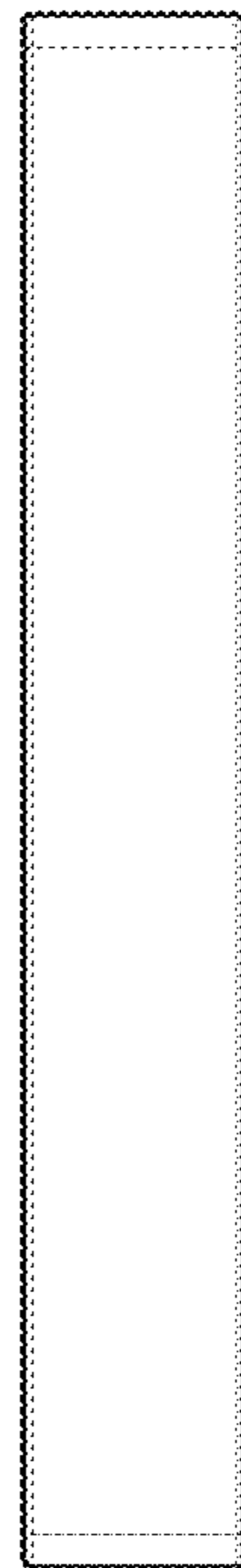


FIG 7