



US00D939661S

(12) **United States Design Patent** (10) **Patent No.:** **US D939,661 S**  
**Lin** (45) **Date of Patent:** **\*\* Dec. 28, 2021**

(54) **FILTRATION DEVICE**  
(71) Applicant: **CHANG TJER MACHINERY CO., LTD.**, Taichung (TW)  
(72) Inventor: **Yu-Tse Lin**, Taichung (TW)  
(73) Assignee: **CHANG TJER MACHINERY CO., LTD.**, Taichung (TW)  
(\*\*) Term: **15 Years**  
(21) Appl. No.: **29/741,742**  
(22) Filed: **Jul. 15, 2020**  
(51) **LOC (13) Cl.** ..... **23-01**  
(52) **U.S. Cl.**  
USPC ..... **D23/209**  
(58) **Field of Classification Search**  
USPC ..... D23/314, 355, 370, 371, 414  
CPC ... E03C 1/12; F24F 13/06; F24F 13/22; F24F 13/20; F24F 12/00; B01D 39/12  
See application file for complete search history.

2016/0100728 A1\* 4/2016 Lavoie ..... B01D 46/2403 55/447  
2016/0345790 A1\* 12/2016 Yang ..... A47L 9/1691  
2019/0336904 A1\* 11/2019 Choi ..... B01D 50/004  
2021/0001356 A1\* 1/2021 Fitzsimmons ..... A47L 9/1683

**OTHER PUBLICATIONS**

Summer Waves 330 Gallon SFX SkimmerPlus Filter Pump, Aug. 29, 2017, Amazon.com, Sep. 10, 2021, URL: <https://www.amazon.com/Summer-Waves-Gallon-SkimmerPlus-Filter/dp/B07P13FQYZ> (Year: 2017).\*  
Hayward SP1091LX Dyna-Skim Above-Ground Pool Skimmer, Aug. 14, 2015, Amazon.com, Sep. 10, 2021, URL: <https://www.amazon.com/Hayward-SP1091LX-Dyna-Skim-Above-Ground-Skimmer/dp/B002DPY196> (Year: 2015).\*

(Continued)

*Primary Examiner* — Jack Reickel  
*Assistant Examiner* — Keith J Wilson  
(74) *Attorney, Agent, or Firm* — Muncy, Geissler, Olds & Lowe, P.C.

(57) **CLAIM**

I claim the ornamental design for a filtration device, as shown and described.

**DESCRIPTION**

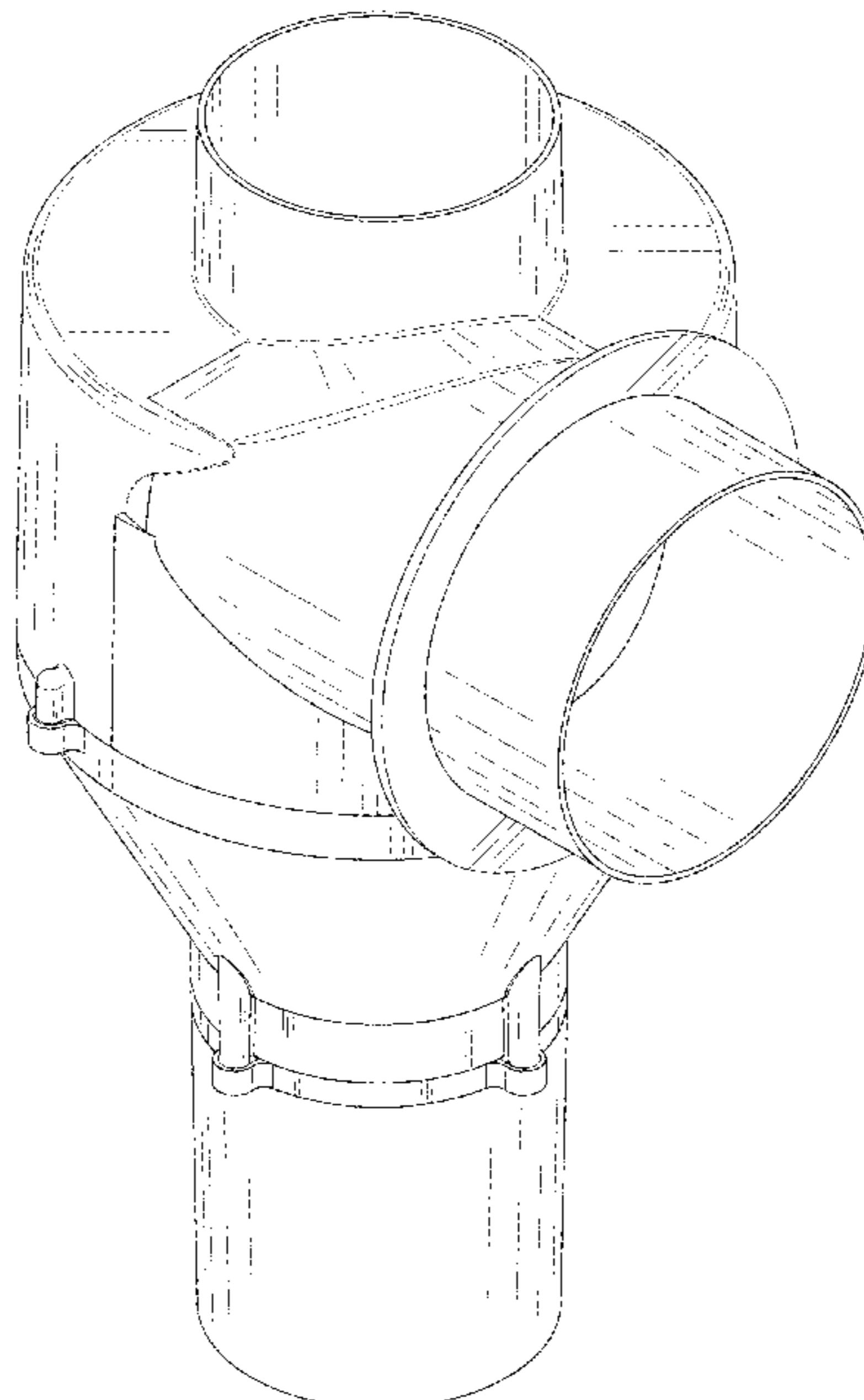
FIG. 1 is a top, front, right perspective view of a filtration device showing my new design;  
FIG. 2 is a front elevational view thereof;  
FIG. 3 is a rear elevational view thereof;  
FIG. 4 is a left side view thereof;  
FIG. 5 is a right side view thereof;  
FIG. 6 is a top plan view thereof;  
FIG. 7 is a bottom plan view thereof; and,  
FIG. 8 is a partial perspective cross-sectional view of the filtration device taken along the line 8-8 showing in FIG. 7. The broken lines in the drawings illustrate portions of the filtration device which form no part of the claimed design.

**1 Claim, 8 Drawing Sheets**

(56) **References Cited**

**U.S. PATENT DOCUMENTS**

D394,101 S *	5/1998	Hayashi	.....	D23/370
D404,122 S *	1/1999	Hayashi	.....	D23/370
D421,110 S *	2/2000	Coulonvaux	.....	D23/355
D424,678 S *	5/2000	Holmgren	.....	D23/371
D589,133 S *	3/2009	Hedlund	.....	D23/371
D738,481 S *	9/2015	Markič	.....	D23/383
D754,312 S *	4/2016	Ellis	.....	D23/355
D808,000 S *	1/2018	McMahon	.....	D23/371
D890,898 S *	7/2020	Nibbelink	.....	D23/355
2014/0250625 A1 *	9/2014	Huang	.....	B01D 45/16 15/353
2015/0328571 A1 *	11/2015	Son	.....	B01D 45/16 55/418



(56)

**References Cited**

OTHER PUBLICATIONS

XtremepowerUS 2HP In-Ground Swimming Pool Pump, Oct. 11, 2016, Amazon.com, Sep. 10, 2021, URL: <https://www.amazon.com/dp/B01AAWQRUY> (Year: 2016).\*

Hayward WG1154AVPAK2 2-Inch White Deluxe Suction Outlets, Mar. 3, 2017, Amazon.com, Sep. 10, 2021, URL: <https://www.amazon.com/Hayward-WG1154AVPAK2-Suction-Outlets-Adjustable/dp/B007YUPNDI> (Year: 2017).\*

\* cited by examiner

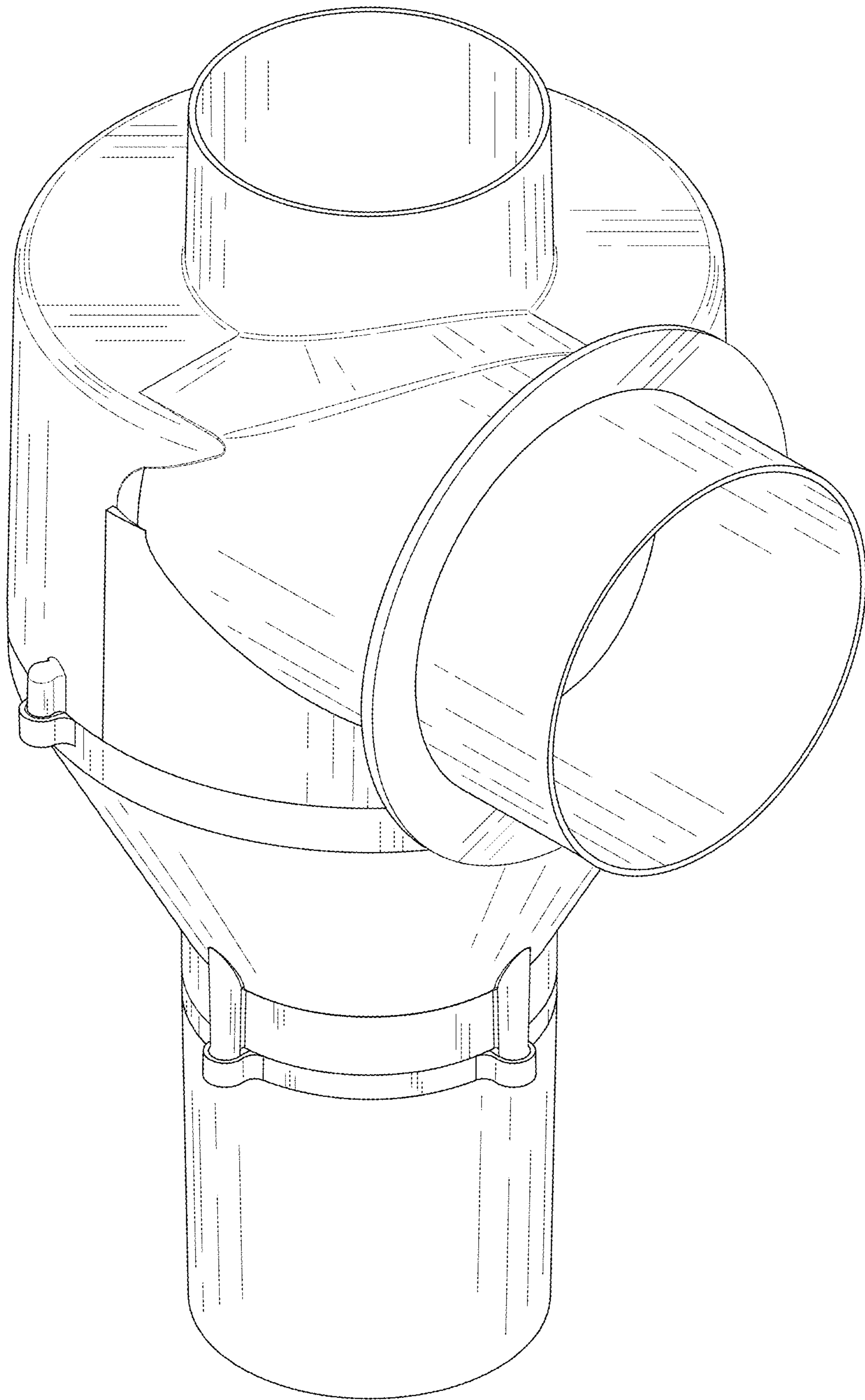


FIG. 1

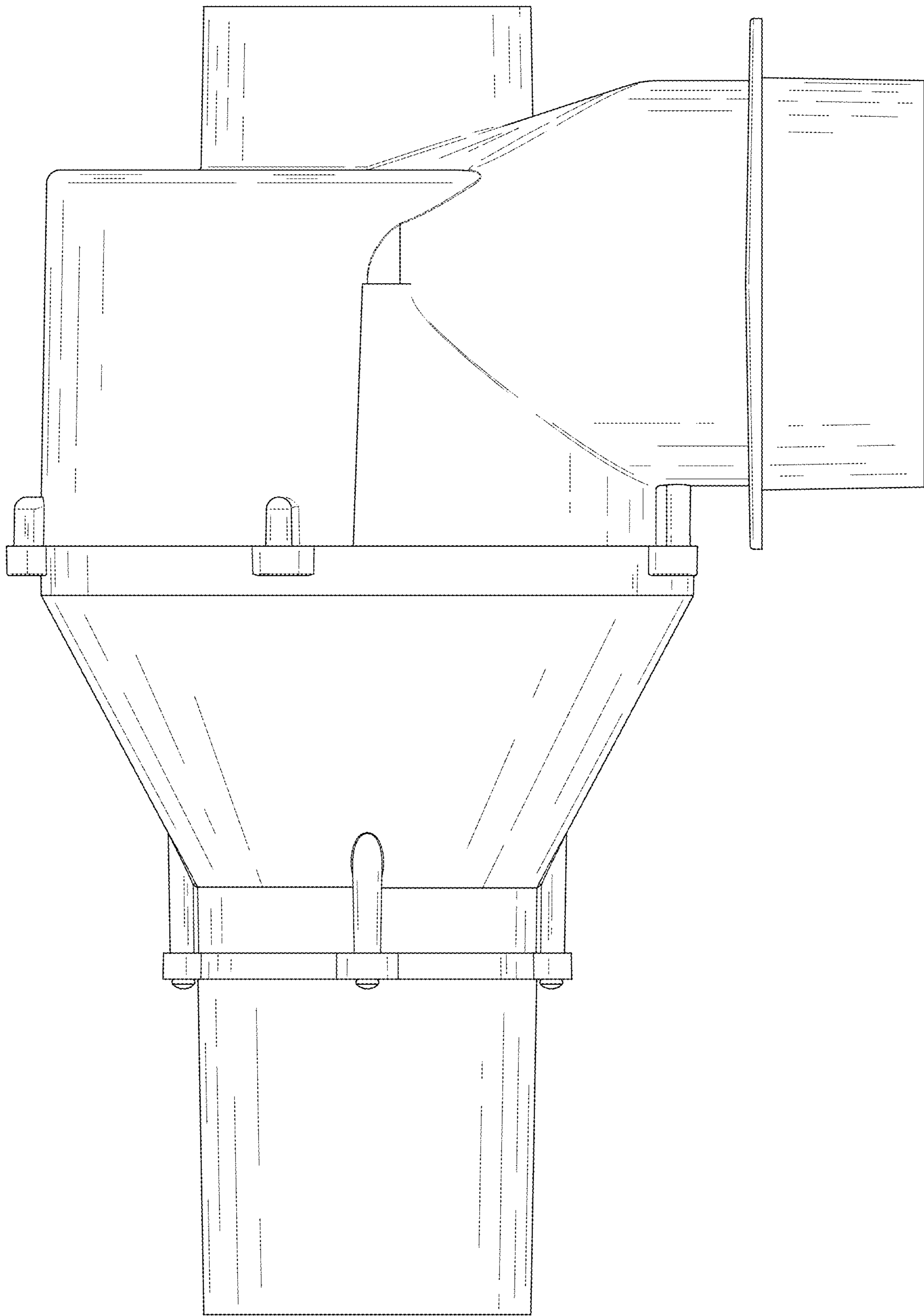


FIG. 2

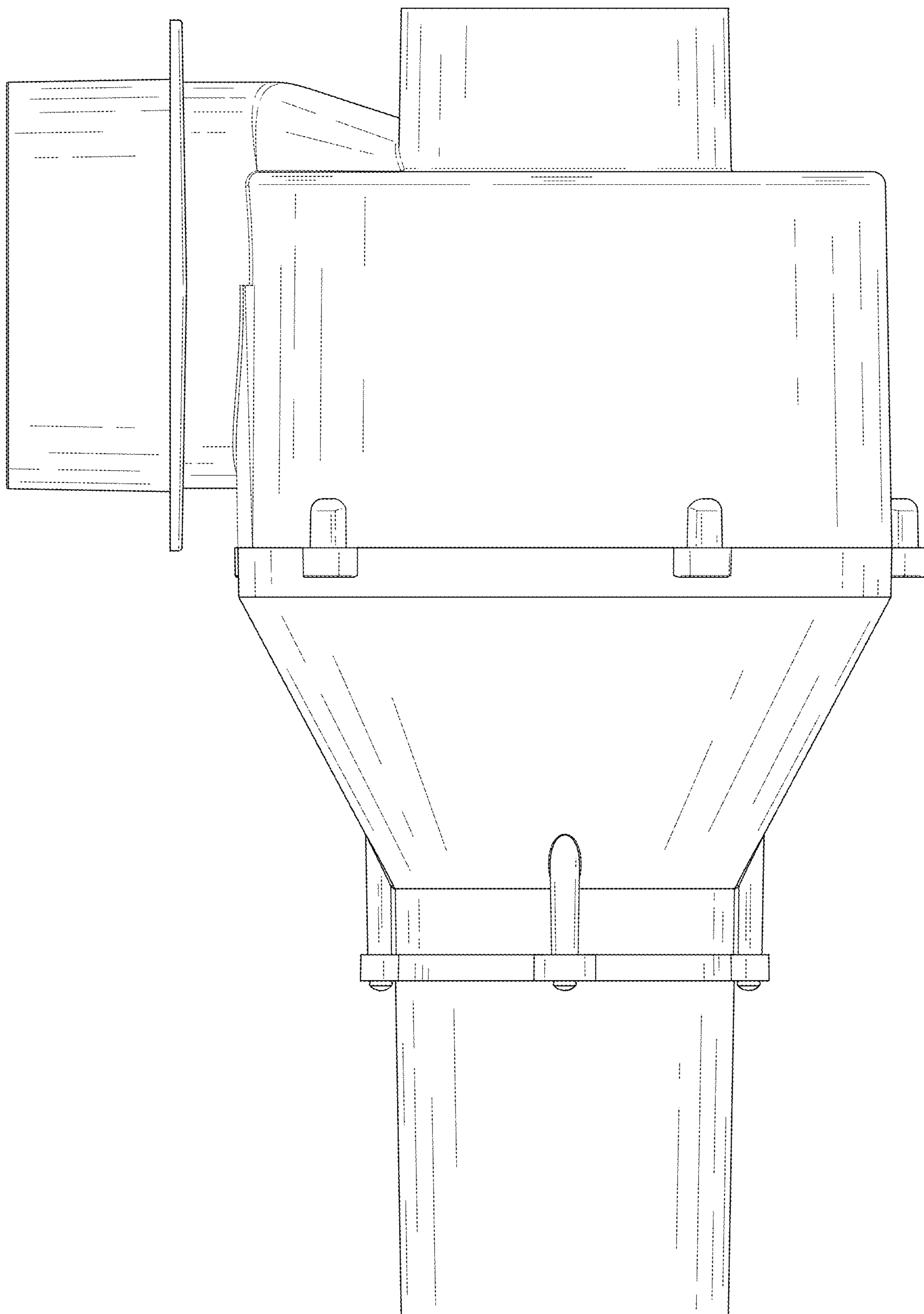


FIG. 3



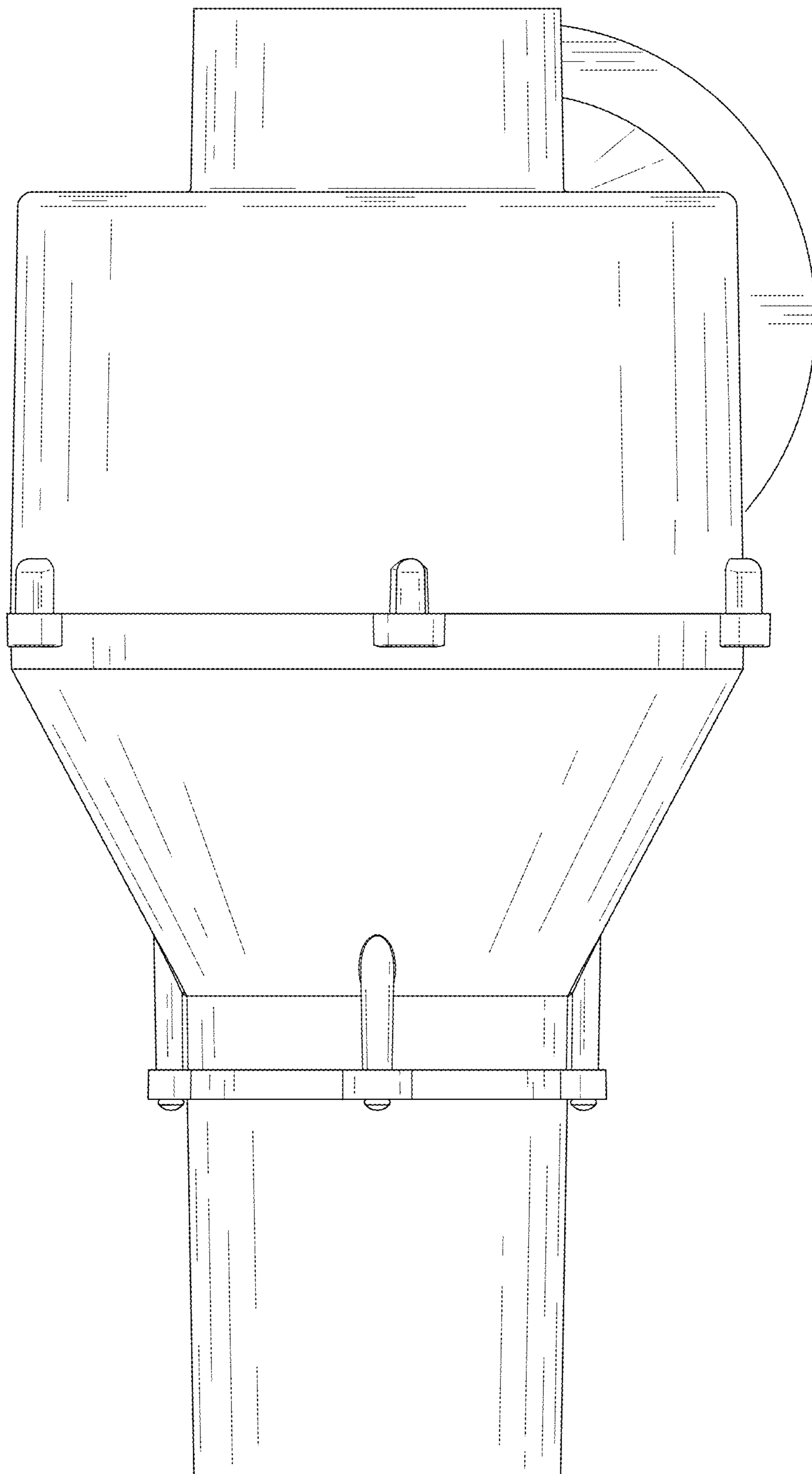


FIG. 4

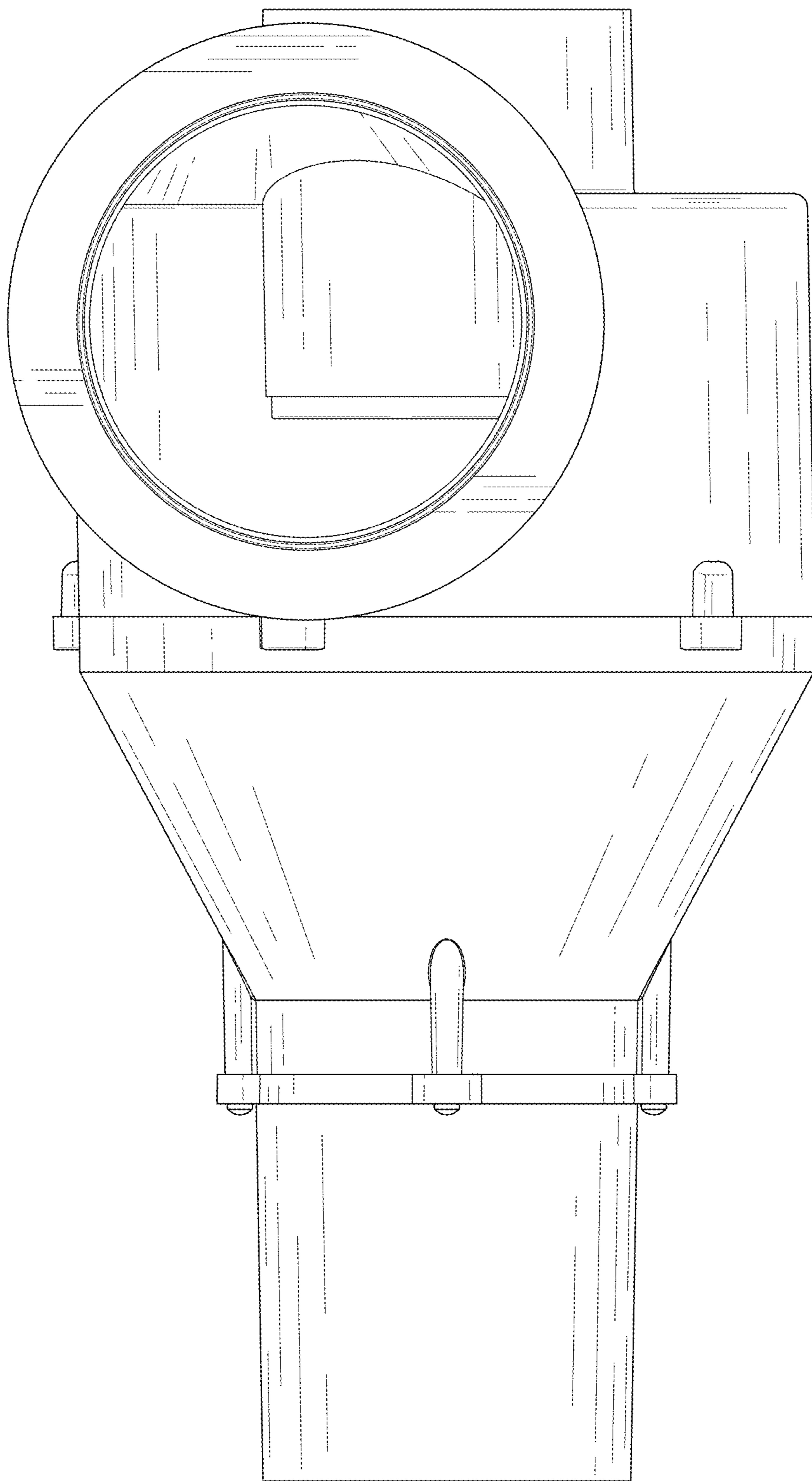


FIG. 5

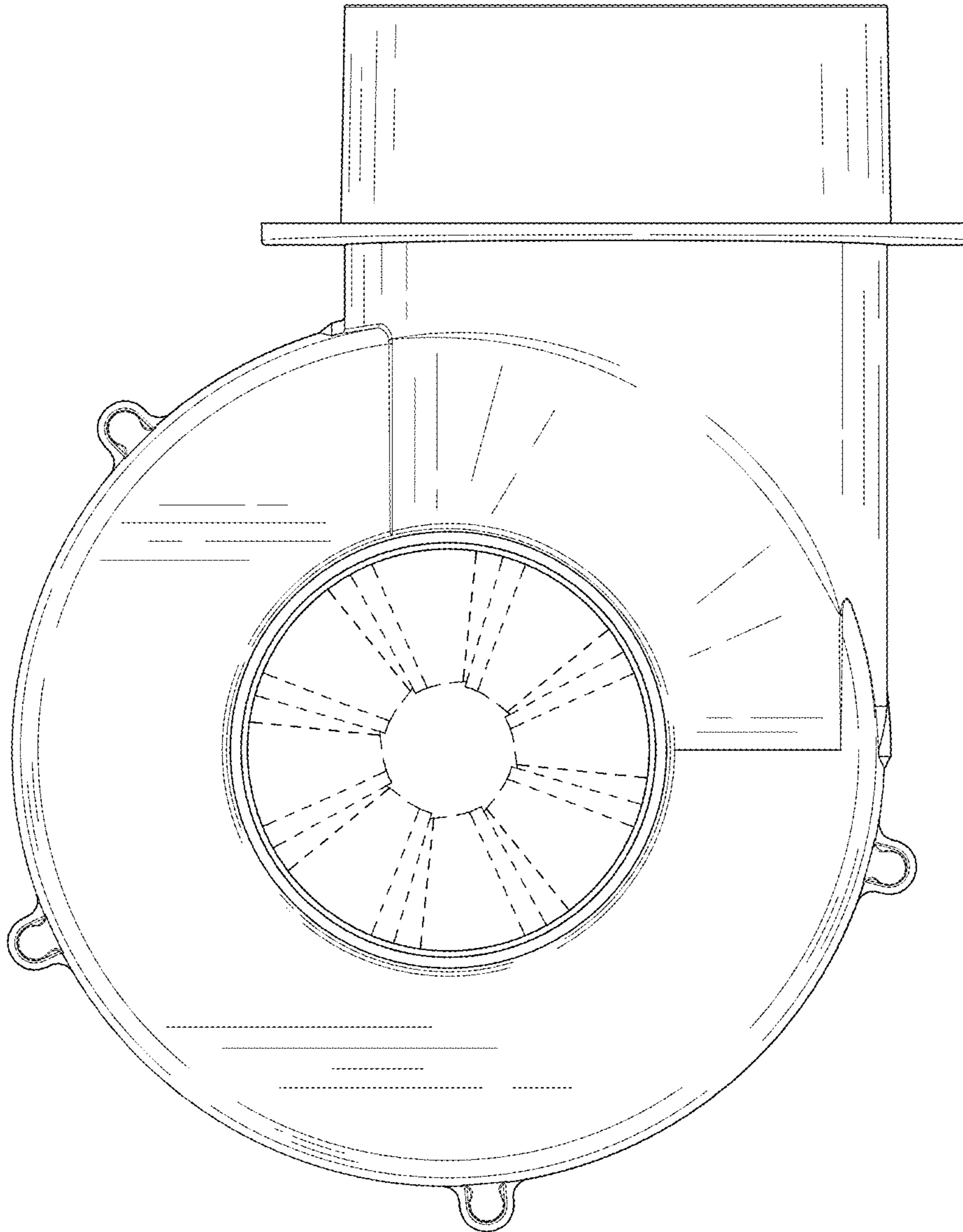


FIG. 6



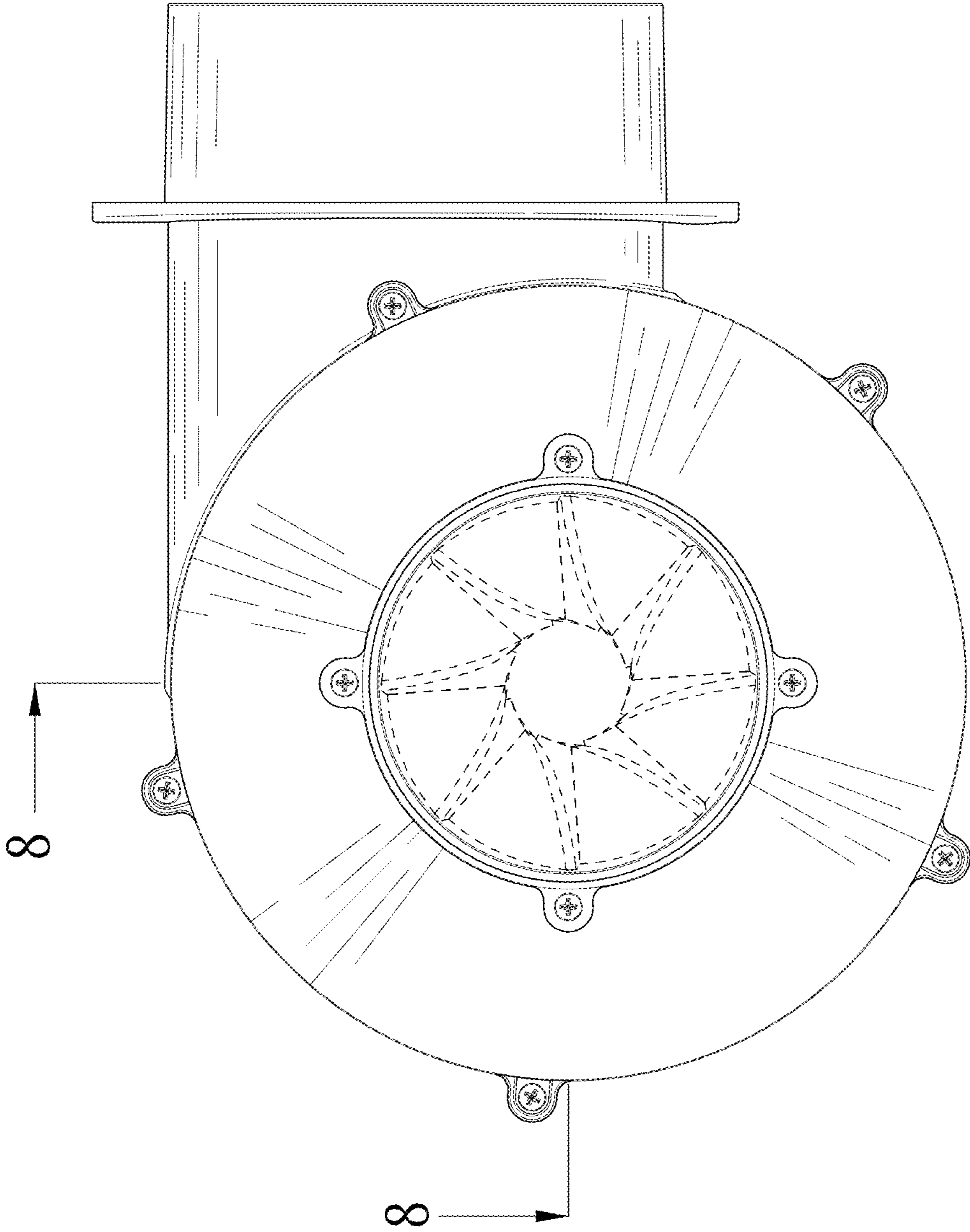


FIG. 7

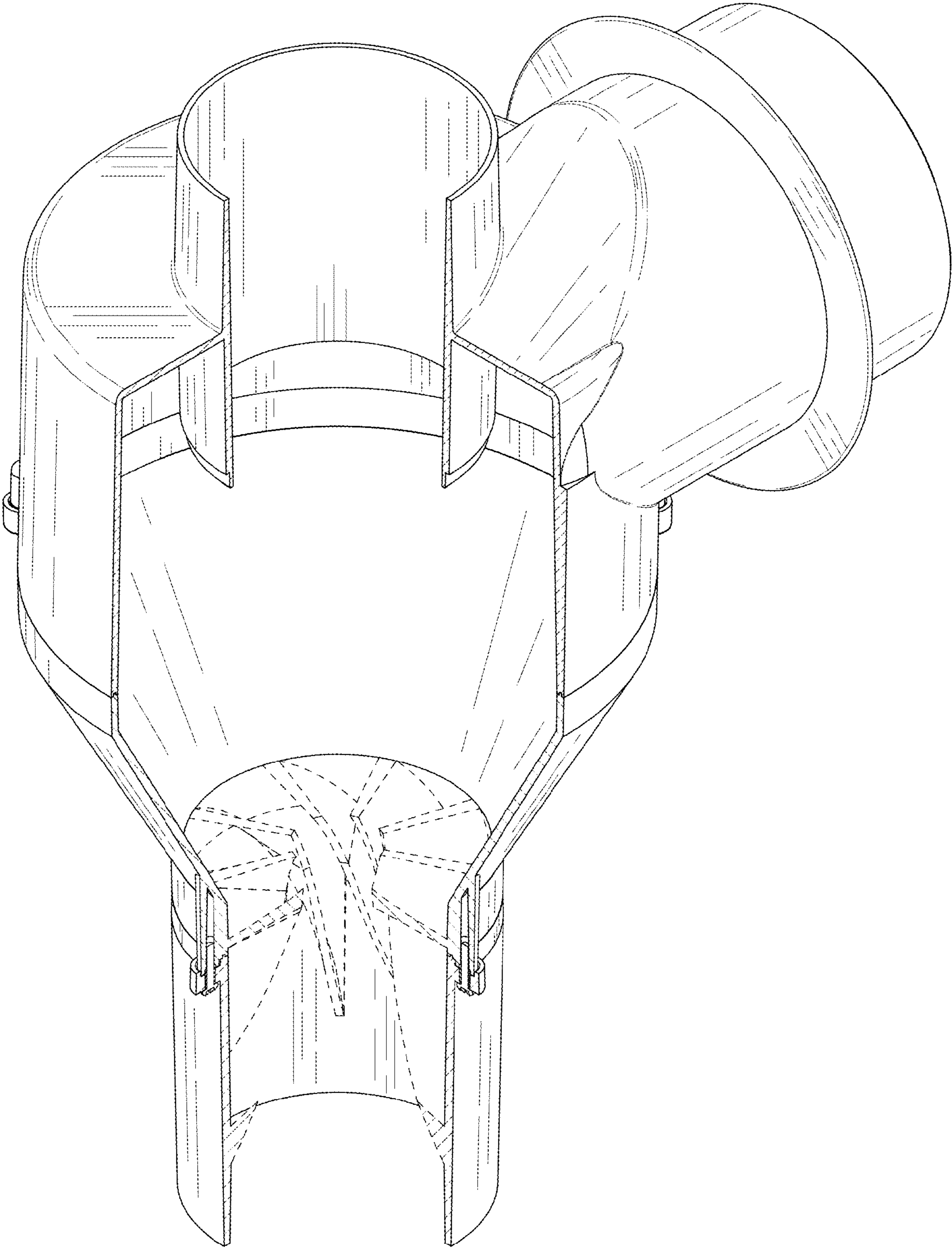


FIG. 8