



US00D939658S

(12) **United States Design Patent** (10) **Patent No.:** **US D939,658 S**
Storch (45) **Date of Patent:** **** Dec. 28, 2021**

(54) **FIREARM SIGHT**

(71) Applicant: **Midwest Industries, Inc.**, Waukesha, WI (US)

(72) Inventor: **Troy Storch**, Wales, WI (US)

(73) Assignee: **Midwest Industries, Inc.**, Waukesha, WI (US)

(**) Term: **15 Years**

(21) Appl. No.: **29/708,456**

(22) Filed: **Oct. 7, 2019**

(51) **LOC (13) Cl.** **22-01**

(52) **U.S. Cl.**
USPC **D22/109**

(58) **Field of Classification Search**
USPC D22/108, 109, 110, 199; D16/130, 132, D16/136
CPC . F41C 27/00; F41G 1/387; F41G 1/02; F41G 1/06; F41G 1/10; F41G 1/30; F41G 11/001; F41G 11/003; F41G 11/004; F41G 11/005

See application file for complete search history.

(56) **References Cited**

U.S. PATENT DOCUMENTS

D631,934 S *	2/2011	Daniel	D22/109
8,069,607 B2 *	12/2011	Ballard	F41G 1/033 42/140
D667,520 S *	9/2012	Ballard	D22/109
8,375,619 B2 *	2/2013	Hewes	F41G 1/28 42/136
D720,828 S *	1/2015	Faifer	D22/108
D721,156 S *	1/2015	Faifer	D22/108
D733,250 S *	6/2015	Hu	D22/109
D826,360 S *	8/2018	Cheng	D22/108
10,288,368 B2 *	5/2019	Langevin	F41G 1/033
D873,947 S *	1/2020	Shelton	D22/109
D878,510 S *	3/2020	Chavez	D22/109

D883,423 S *	5/2020	Shelton	D22/109
10,801,810 B2 *	10/2020	Noonan	F41G 1/26
D904,549 S *	12/2020	Storch	D22/109
D919,037 S *	5/2021	Tong	D22/109
2016/0102941 A1 *	4/2016	Brucker	F41G 1/033 42/148
2017/0205200 A1 *	7/2017	Geissele	F41G 1/387
2019/0011223 A1 *	1/2019	Odle	F41G 1/08

(Continued)

OTHER PUBLICATIONS

Midwest Industries Fixed Sight, date avail: May 18, 2019 [site visited May 18, 2021] URL: https://www.amazon.com/Midwest-Combat-Fixed-Front-Sight/dp/B07RN16MY4/ref=sr_1_57?dchild=1&keywords=iron+sight&qid=1628181951&sr=8-57 (Year: 2019).*

(Continued)

Primary Examiner — Barbara Fox

Assistant Examiner — Jessie Annie E Touart

(74) *Attorney, Agent, or Firm* — Boyle Fredrickson S.C.

(57) **CLAIM**

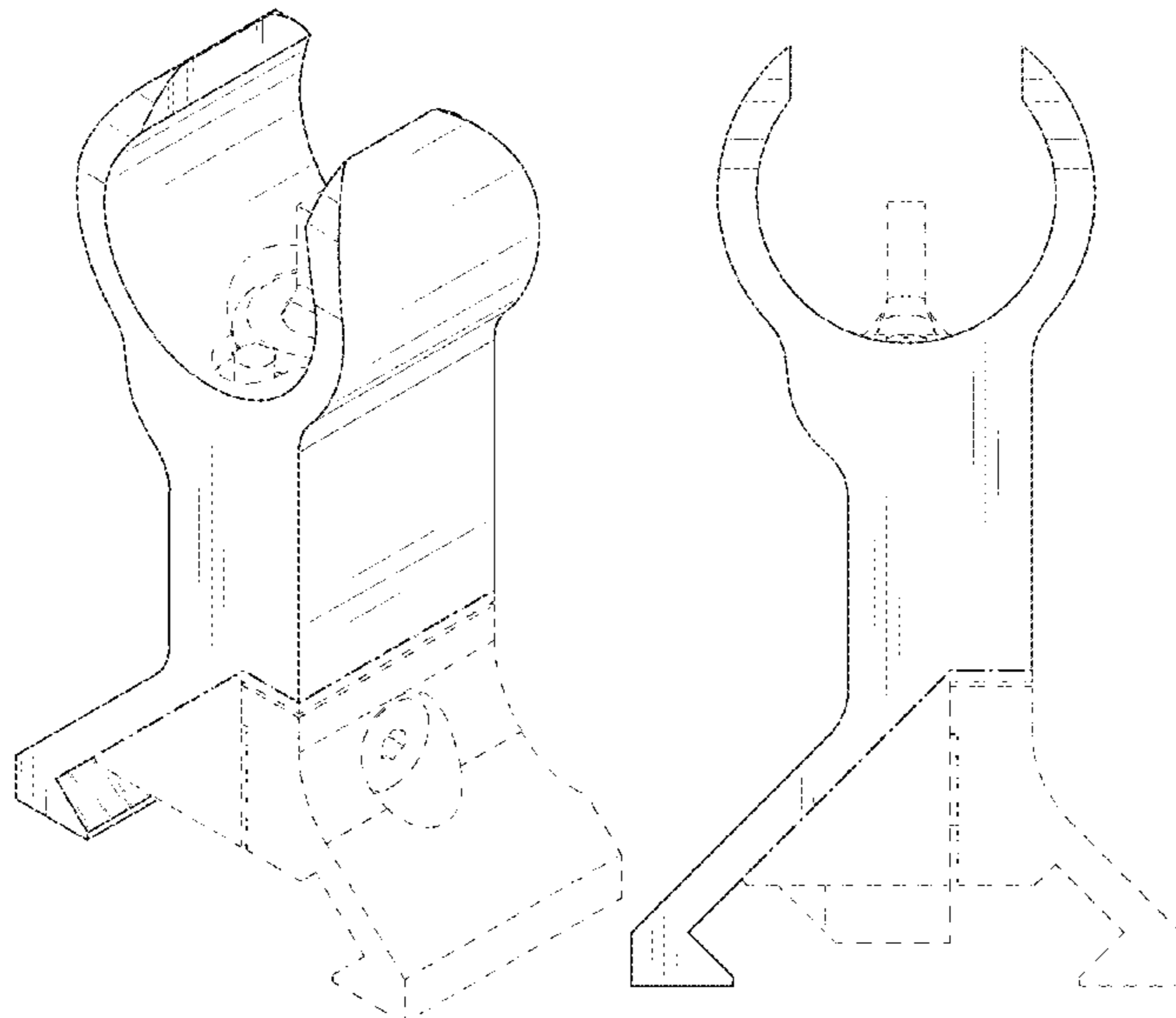
The ornamental design for a firearm sight, as shown and described.

DESCRIPTION

FIG. 1 is a front upper left perspective view of a firearm sight, showing my new design;
FIG. 2 is a front elevation thereof;
FIG. 3 is a rear elevation view thereof;
FIG. 4 is a left side elevation view thereof;
FIG. 5 is a right side elevation view thereof;
FIG. 6 is a top plan view thereof; and,
FIG. 7 is a bottom plan view thereof.

The broken lines in FIGS. 1-7 form no part of the claimed design and include dot-dashed lines that define the bounds of the claimed design and dashed lines that illustrate portions of the firearm sight that form no part of the claimed design.

1 Claim, 7 Drawing Sheets



(56)

References Cited

U.S. PATENT DOCUMENTS

2020/0132414 A1* 4/2020 Shelton F41G 1/033
2020/0400405 A1* 12/2020 Noonan F41G 1/26
2021/0123707 A1* 4/2021 Baskett F41G 1/02
2021/0164759 A1* 6/2021 Genna F41G 1/02

OTHER PUBLICATIONS

NGAL Sight, oldest review: Feb. 18, 2021 [site visited: Aug. 8, 2021] URL: <https://www.midwestindustriesinc.com/NGAL-Fixed-Front-Sight-p/mi-ngal-fs.htm> (Year: 2021).*

Samson Fixed Front Sight, date avail: Jun. 25, 2012, [site visited Aug. 9, 2021] URL: https://www.amazon.com/Samson-Fixed-Front-Sight-Black/dp/B007TR76KE/ref=sr_1_209?dchild=1&keywords=iron+sight&qid=1628182138&sr=8-209 (Year: 2012).*

Troy BattleSight, date avail: May 8, 2009 [site visited Aug. 9, 2021] URL: https://www.amazon.com/Troy-BattleSight-Front-Fixed-black/dp/B002L61SDO/ref=sr_1_58?dchild=1&keywords=iron+sight&qid=1628182004&sr=8-58 (Year: 2009).*

Railscales LEAF Iron Sights—Made for PEQ Sights—<https://railscales.us/leaf-peq-iron-sights/> pp. 1-4, printed on Aug. 22, 2019.

* cited by examiner

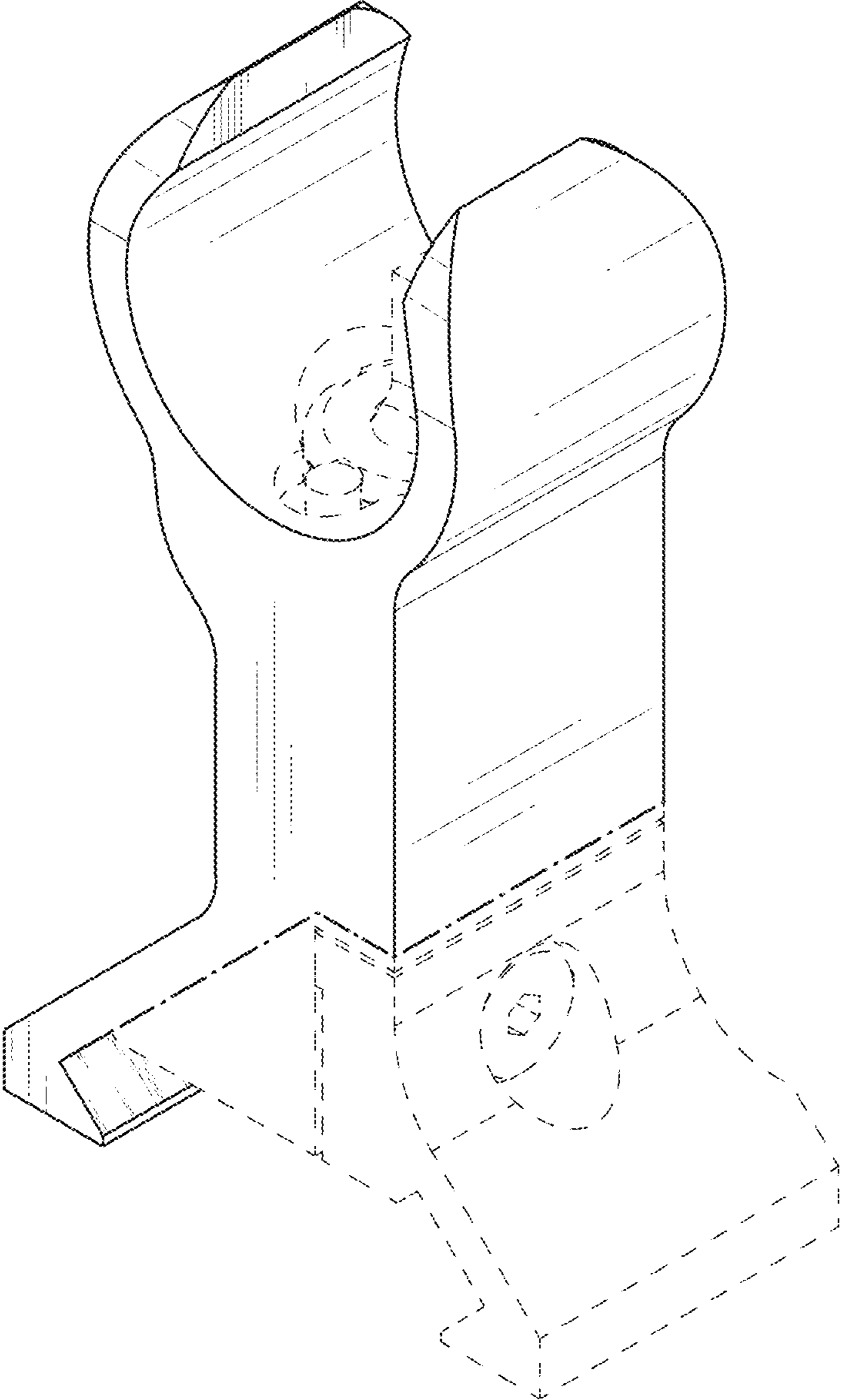


FIG. 1

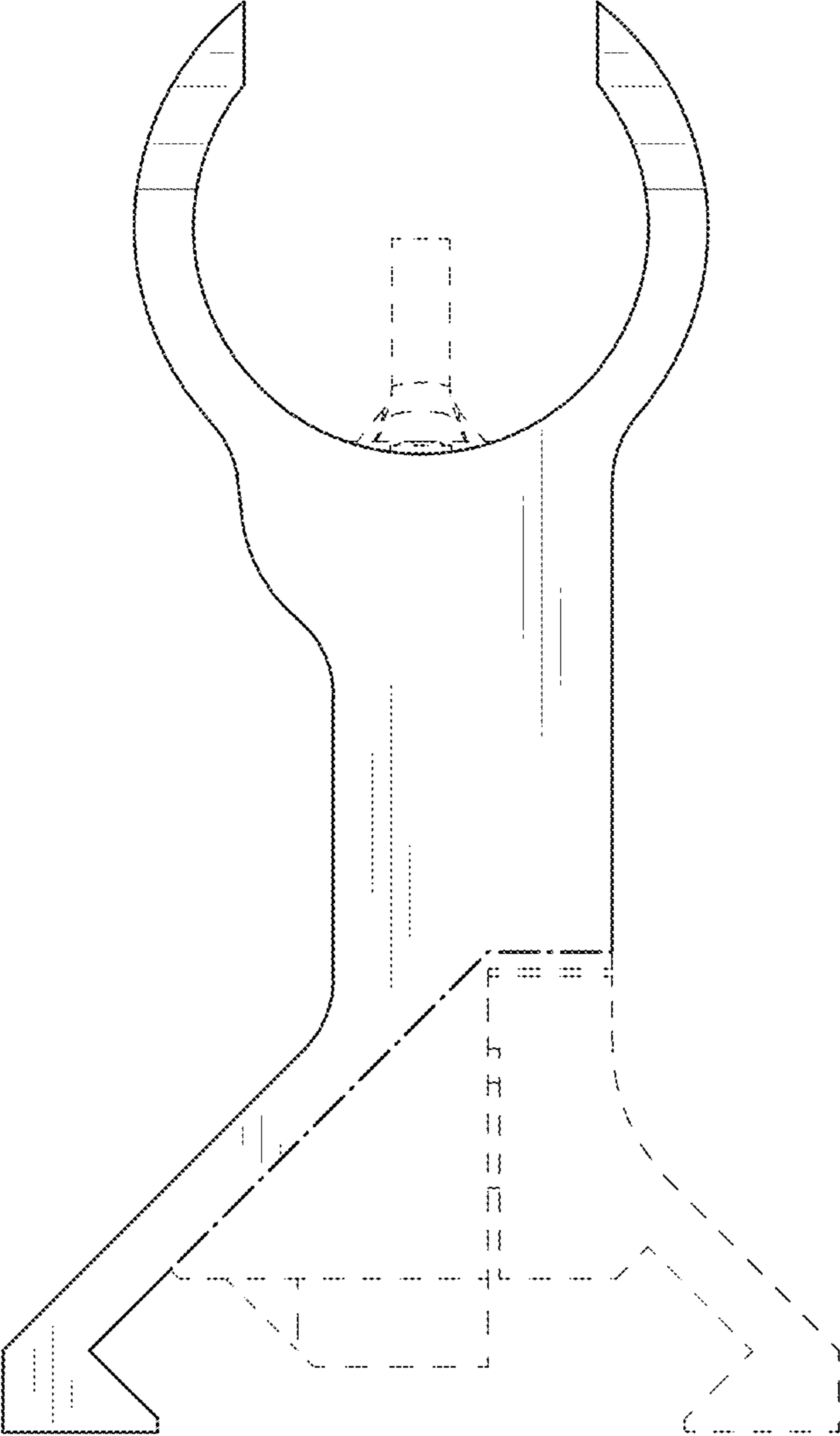


FIG. 2

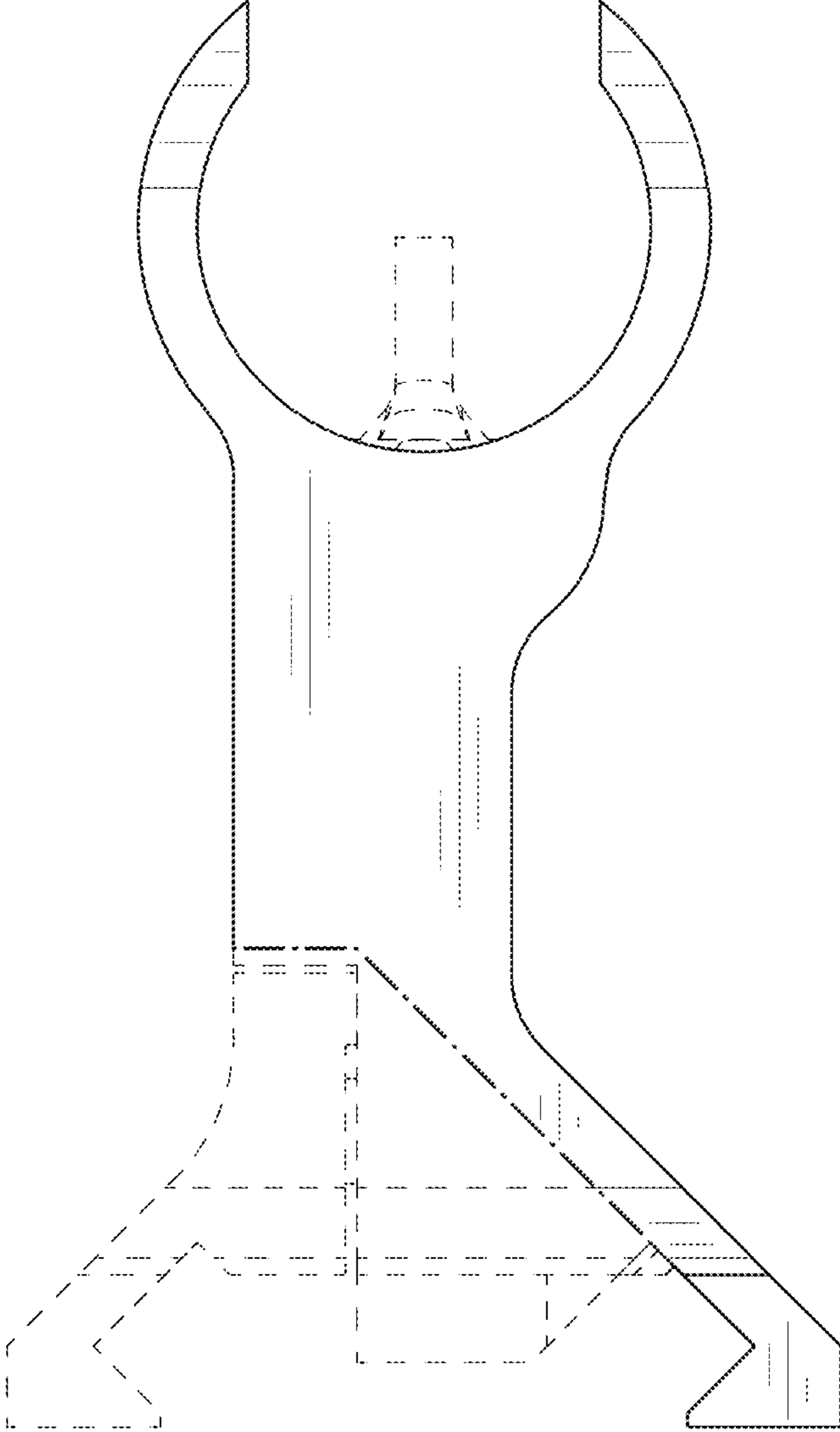


FIG. 3

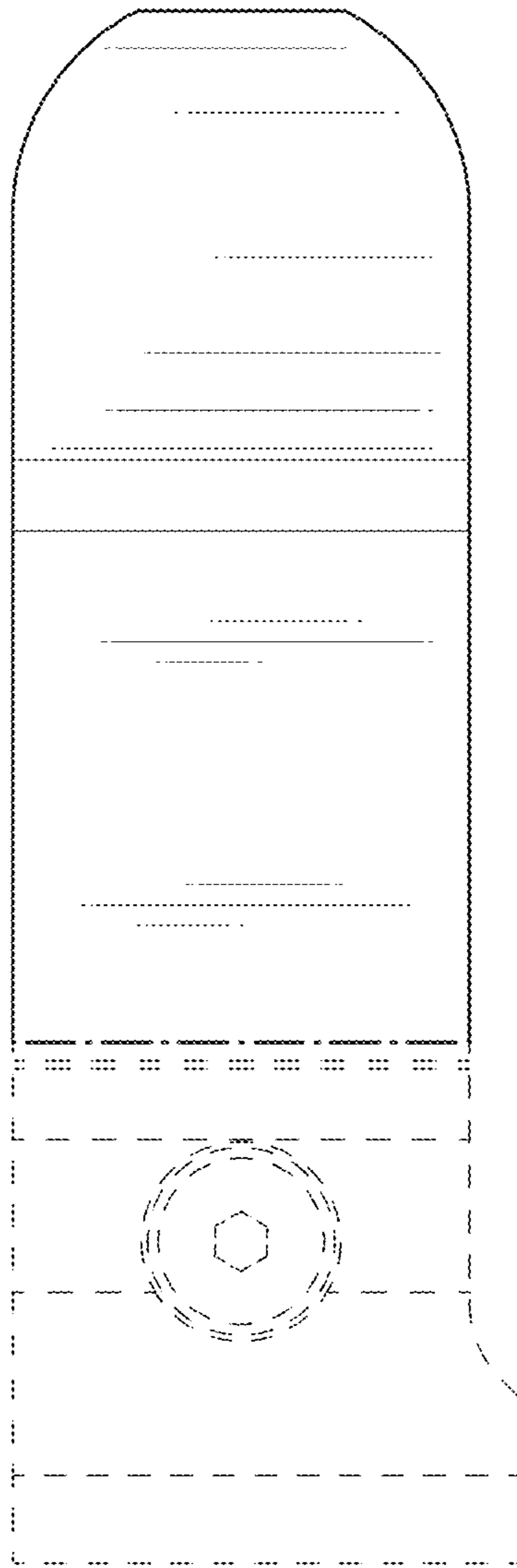


FIG. 4

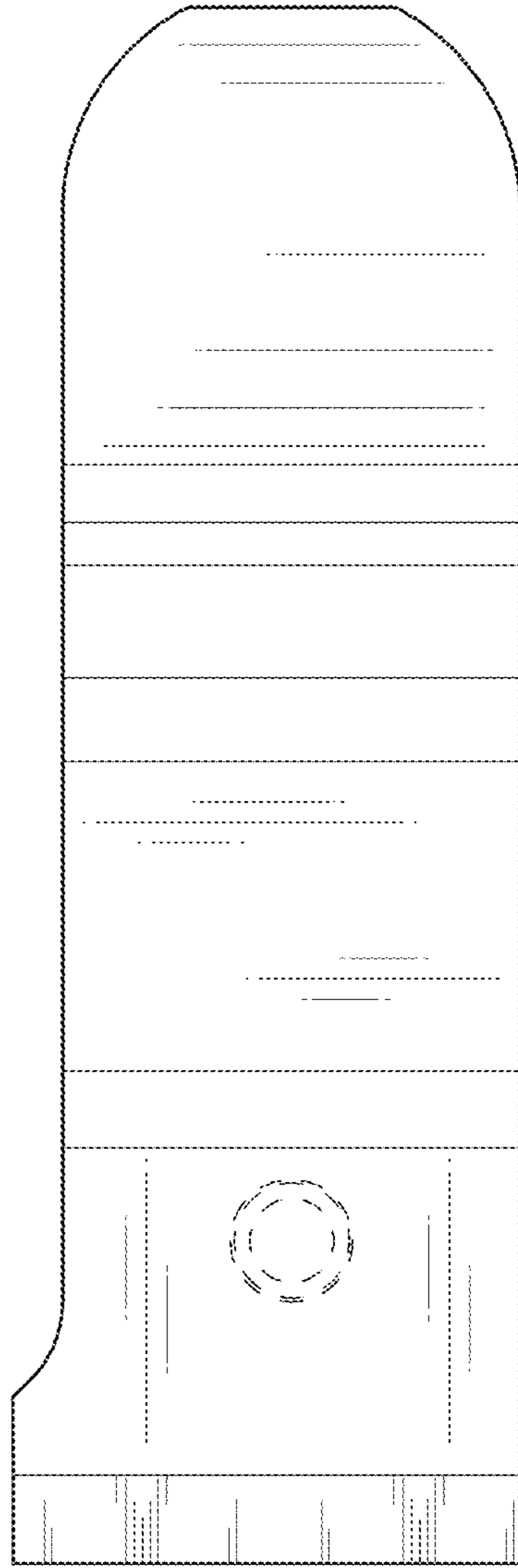


FIG. 5

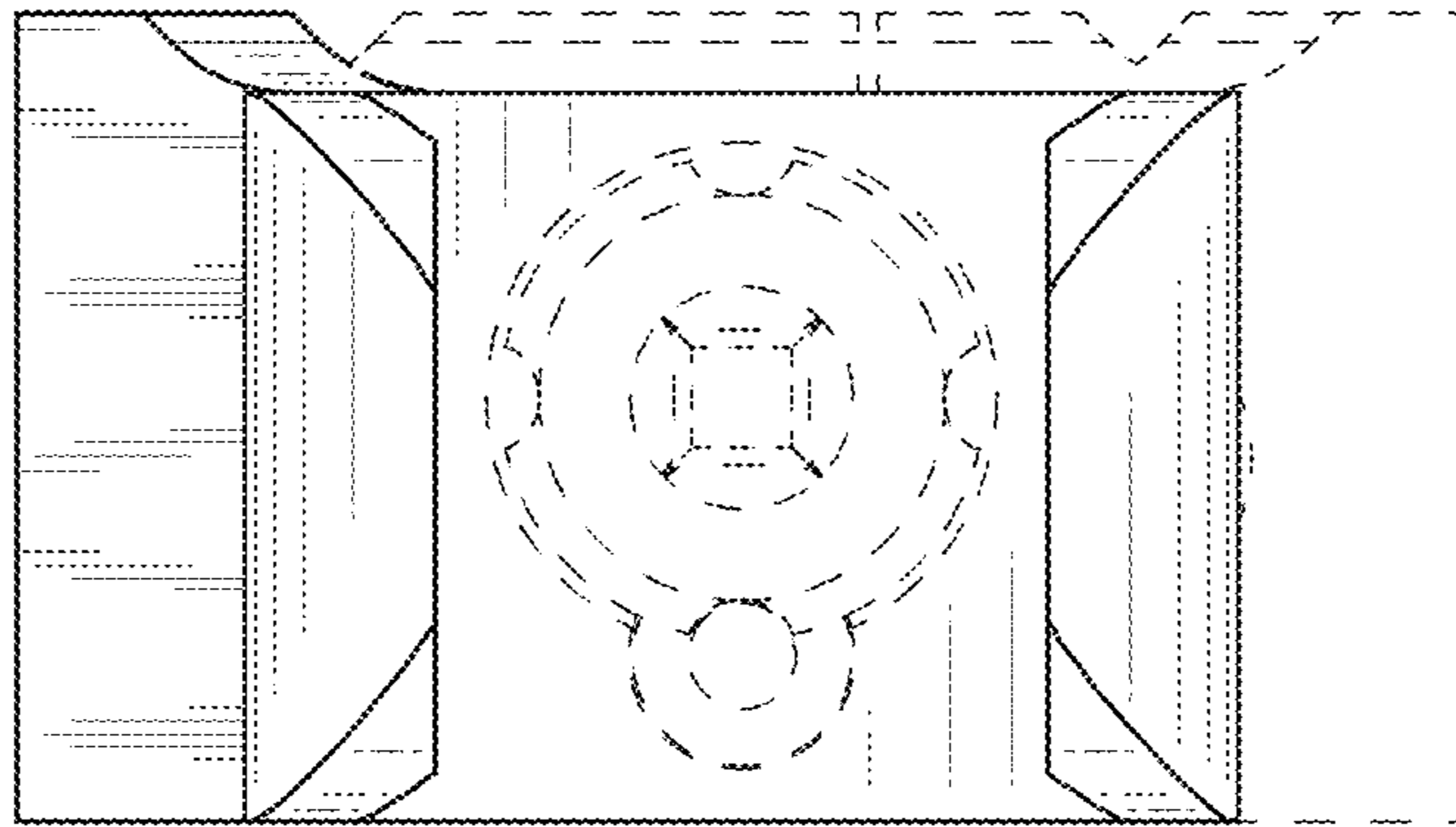


FIG. 6

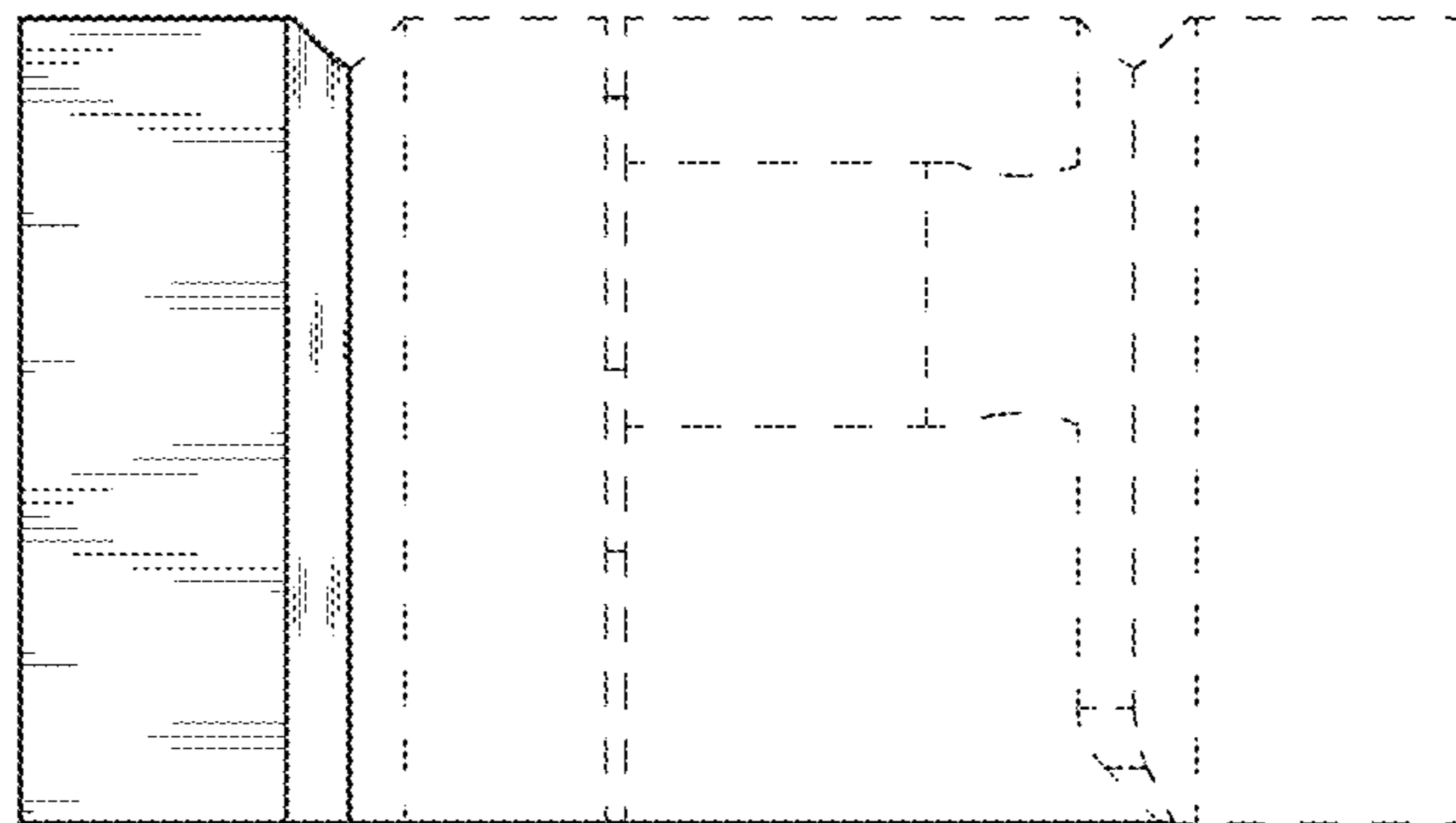


FIG. 7