



US00D939657S

(12) **United States Design Patent** (10) **Patent No.:** **US D939,657 S**
Hale (45) **Date of Patent:** **** Dec. 28, 2021**

(54) **TENT**
(71) Applicant: **Alan Hale**, Cypress, TX (US)
(72) Inventor: **Alan Hale**, Cypress, TX (US)
(**) Term: **15 Years**
(21) Appl. No.: **29/709,163**
(22) Filed: **Oct. 11, 2019**
(51) **LOC (13) Cl.** **21-04**
(52) **U.S. Cl.**
USPC **D21/839**
(58) **Field of Classification Search**
USPC D21/834-838; D25/56
CPC E04H 15/00; E04H 15/003; E04H 15/18;
E04H 15/28; E04H 15/32; E04H 15/34;
E04H 15/40; E04H 15/405; E04H 15/42;
E04H 15/425; E04H 15/44; E04H 15/52
See application file for complete search history.

D725,211 S * 3/2015 Lah D21/834
D735,885 S * 8/2015 Wehner D25/15
9,512,632 B2 * 12/2016 Cook E04H 15/02
D778,382 S * 2/2017 Weber D21/834
10,138,653 B1 * 11/2018 Weber B32B 5/08
D864,333 S * 10/2019 Wu D21/834
2005/0178420 A1 * 8/2005 Reis E04H 15/44
135/133
2010/0037930 A1 * 2/2010 Miller E04H 15/44
135/143
2013/0074894 A1 * 3/2013 Cook E04H 15/44
135/96

* cited by examiner

Primary Examiner — Cynthia M. Chin
(74) *Attorney, Agent, or Firm* — Leavitt Eldredge Law Firm

(57) **CLAIM**

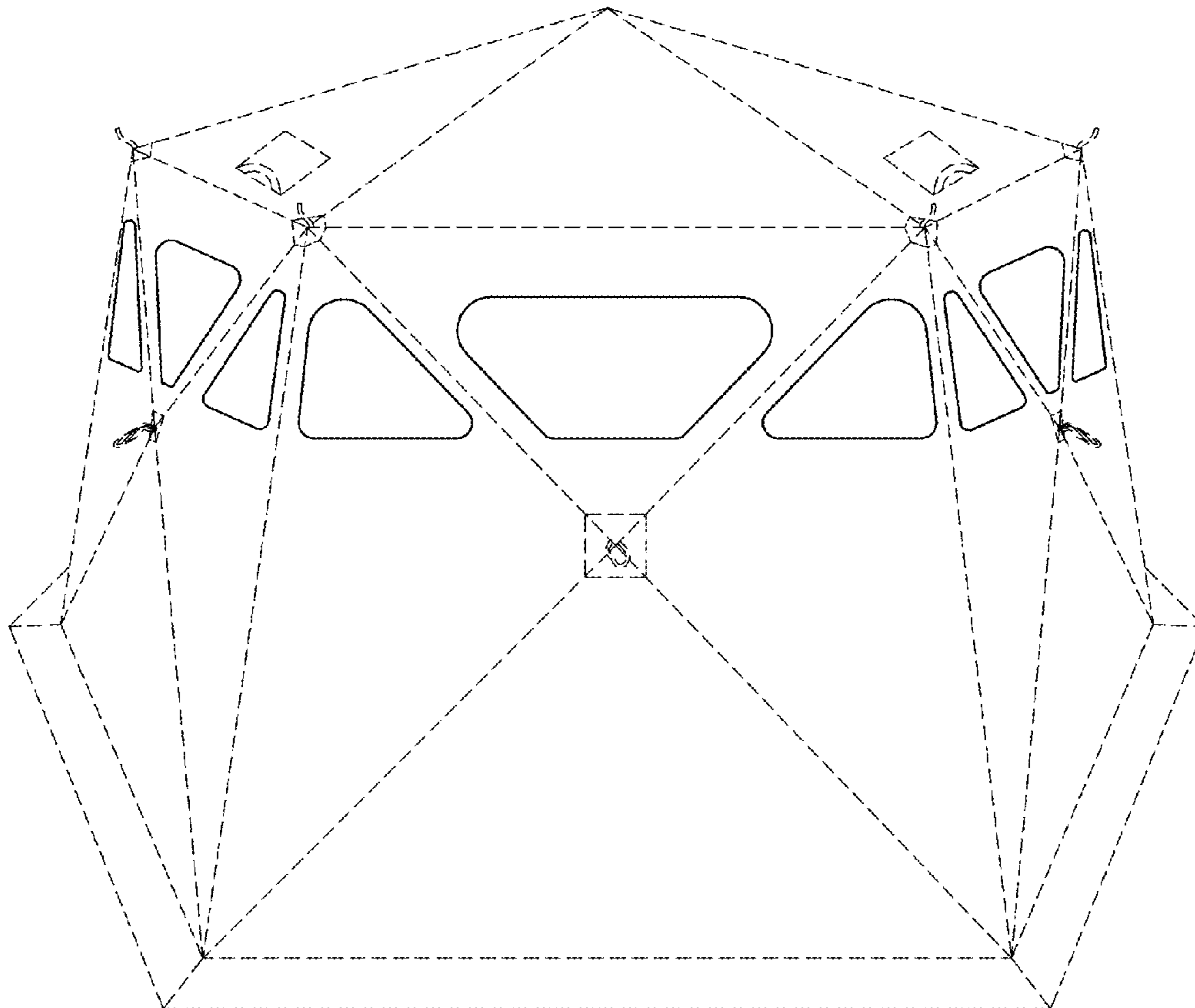
The ornamental design for a tent, as shown and described.

DESCRIPTION

FIG. 1 is a back view of the tent according to the present application.
FIG. 2 is a front view of the tent.
FIG. 3 is a top view of the tent; and,
FIG. 4 is a side view of the tent.
The broken lines are for the purpose of illustrating portions of the tent that form no part of the claimed design.

(56) **References Cited**
U.S. PATENT DOCUMENTS
D505,175 S * 5/2005 Wehner D21/834
D524,900 S * 7/2006 Reis D21/837
D535,350 S * 1/2007 Ju D21/834
D536,761 S * 2/2007 Wehner D21/834
D621,898 S * 8/2010 Smith D21/838
D695,375 S * 12/2013 Jin D21/834

1 Claim, 4 Drawing Sheets



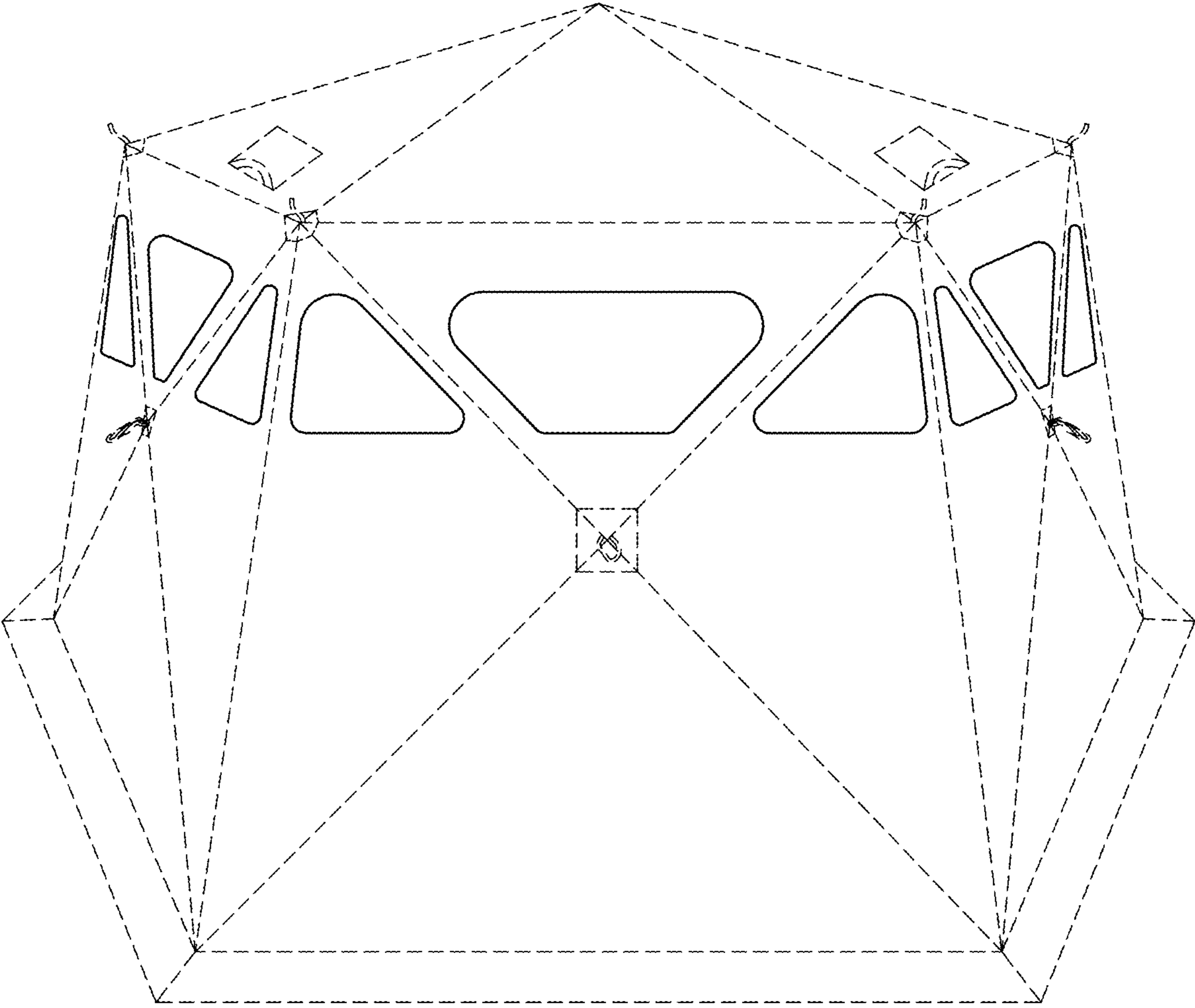


FIG. 1

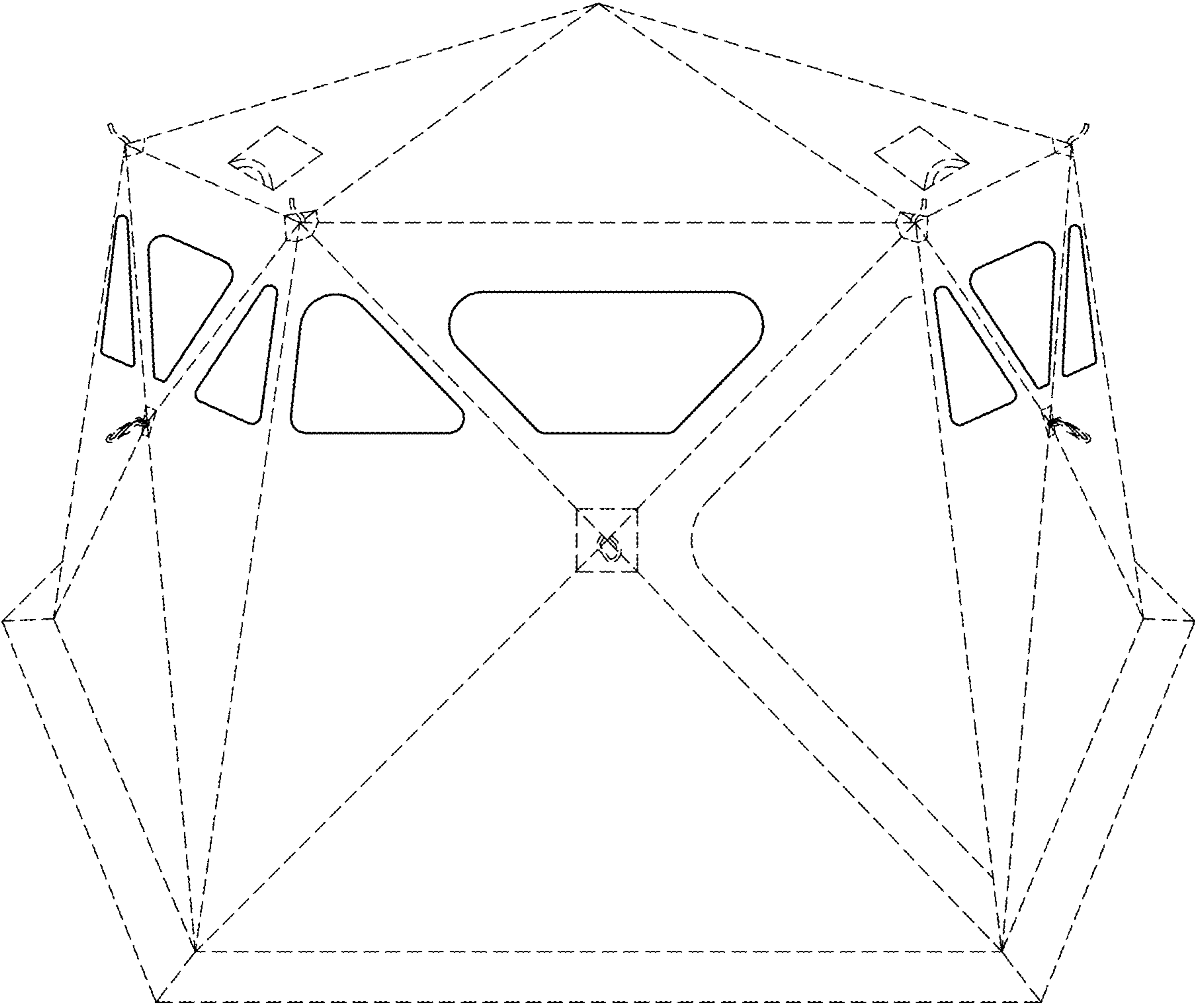


FIG. 2

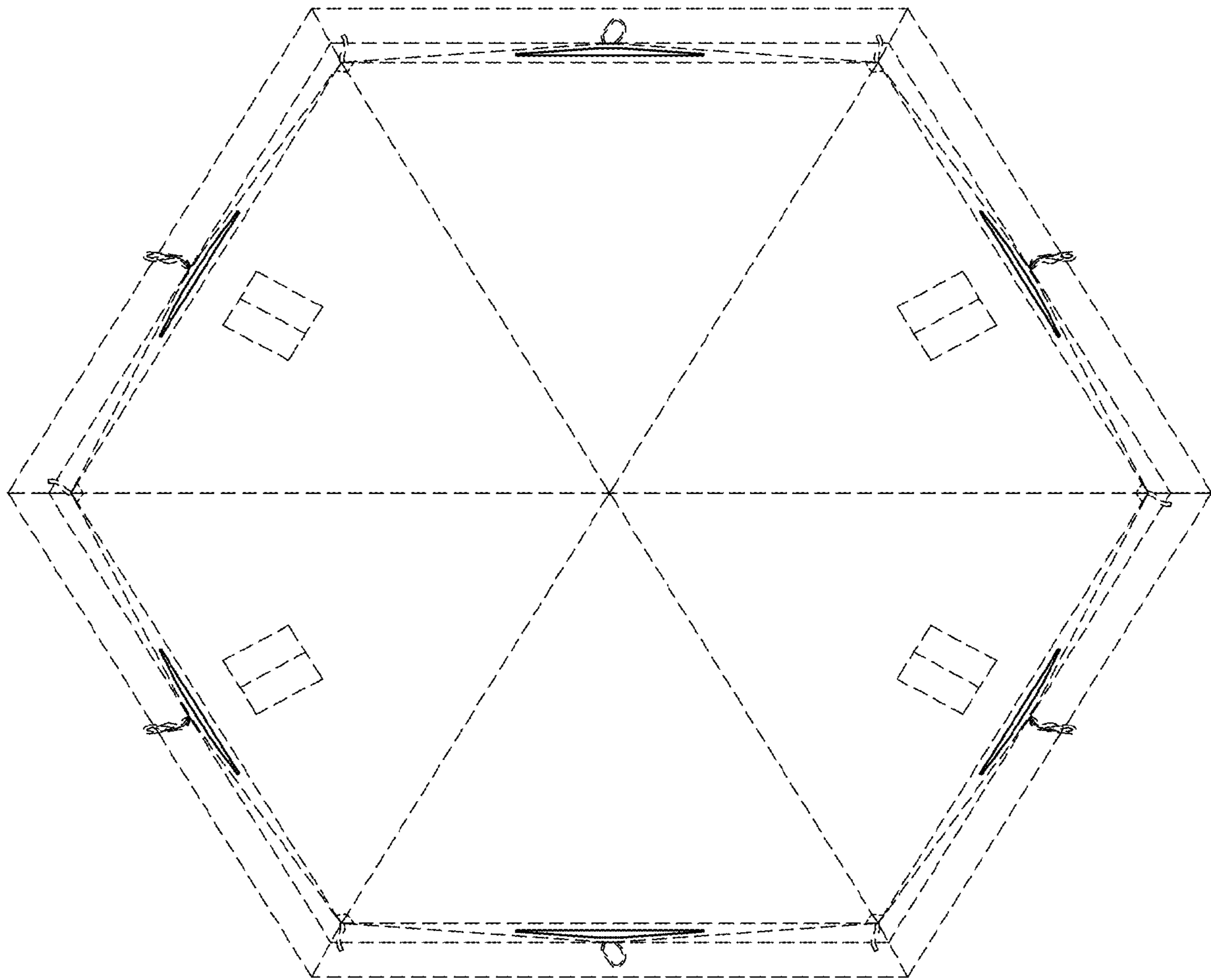


FIG. 3

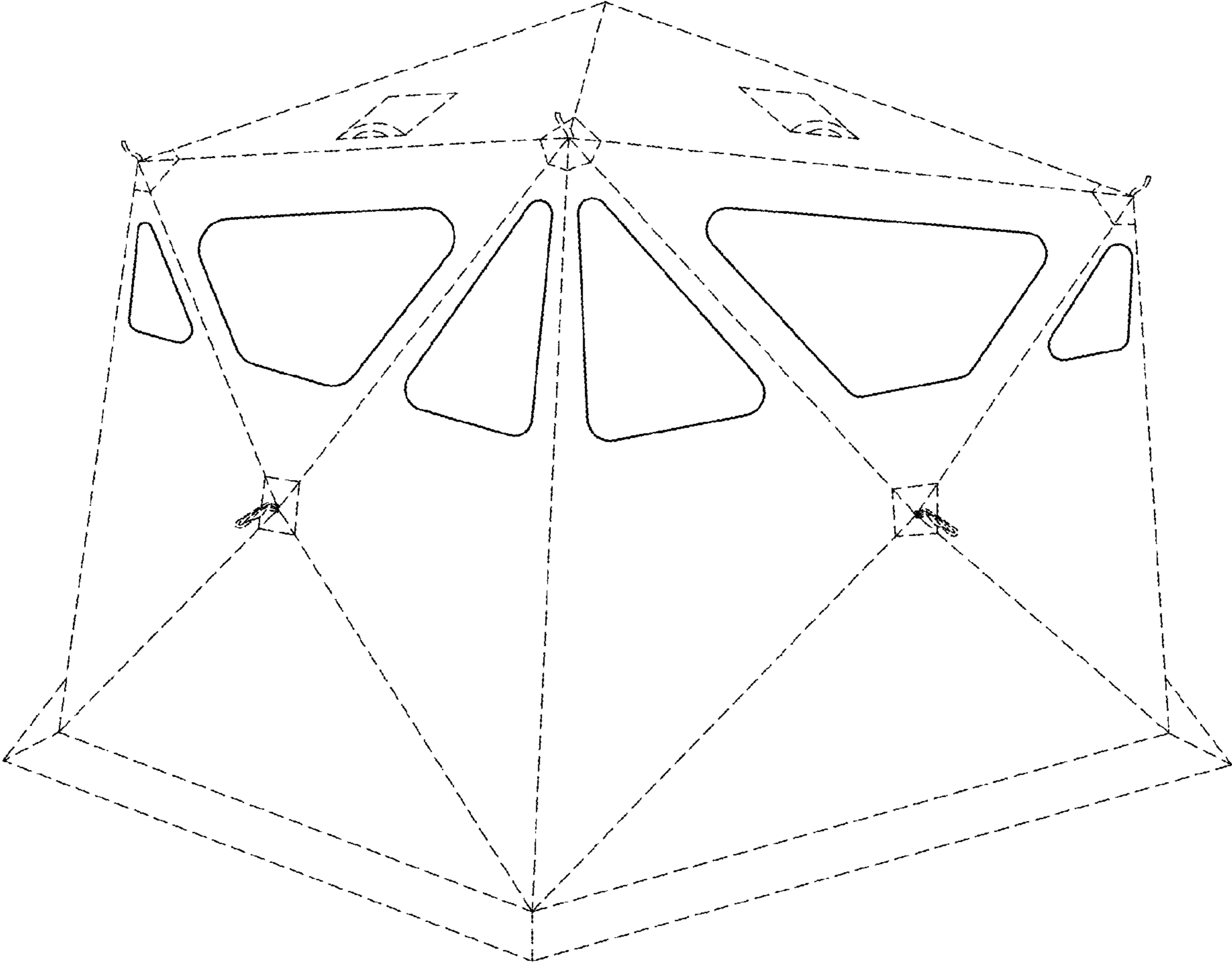


FIG. 4