



US00D939656S

(12) **United States Design Patent**  
**Cheng**

(10) **Patent No.:** **US D939,656 S**

(45) **Date of Patent:** **\*\* Dec. 28, 2021**

(54) **TENT**

(71) Applicant: **YONGKANG AIDA INDUSTRY AND TRADE CO., LTD.**, Yongkang (CN)

(72) Inventor: **Liyan Cheng**, Yongkang (CN)

(73) Assignee: **YONGKANG AIDA INDUSTRY AND TRADE CO., LTD.**, Yongkang (CN)

(\*\*) Term: **15 Years**

(21) Appl. No.: **29/736,763**

(22) Filed: **Jun. 3, 2020**

(51) **LOC (13) Cl.** ..... **21-04**

(52) **U.S. Cl.**  
USPC ..... **D21/834**

(58) **Field of Classification Search**  
USPC ..... D21/834-838  
CPC ..... E04H 15/00; E04H 15/02; E04H 15/18;  
E04H 15/28; E04H 15/32; E04H 15/34;  
E04H 15/40; E04H 15/42; E04H 15/425;  
E04H 15/50

See application file for complete search history.

(56) **References Cited**

**U.S. PATENT DOCUMENTS**

D689,159 S	*	9/2013	Wagoner	.....	D21/835
D775,702 S	*	1/2017	Barker	.....	D21/834
D777,344 S	*	1/2017	Hill	.....	D25/16
D831,147 S	*	10/2018	Cropley	.....	D21/834
D836,177 S	*	12/2018	Gao	.....	D21/834
D836,742 S	*	12/2018	Hill	.....	D21/834
D864,333 S	*	10/2019	Wu	.....	D21/834
D926,908 S	*	8/2021	Wright	.....	D21/834
D928,899 S	*	8/2021	Zhu	.....	D21/837

**OTHER PUBLICATIONS**

Car Rooftop Tent Hardshell Pop Up Tent, Oct. 23, 2020, Amazon.com, Aug. 26, 2021, URL: <https://www.amazon.com/Rooftop-Hardshell-Camping-Outdoors-Persons/dp/B08LQ5YLB> (Year: 2020).\*

TMB Sand Pop Up Roof Tent for Cars Trucks SUVs, Aug. 28, 2017, Amazon.com, Aug. 26, 2021, URL: <https://www.amazon.com/Universal-Trucks-Camping-Travel-Mobile/dp/B07813X4G7> (Year: 2017).\*

Camp King Industries Outback Series, Apr. 16, 2020, Amazon.com, Aug. 26, 2021, URL: <https://gearjunkie.com/motors/best-used-adventure-vehicle-truck-suv-20000> (Year: 2020).\*

\* cited by examiner

*Primary Examiner* — Jack Reickel

*Assistant Examiner* — Keith J Wilson

(57) **CLAIM**

The ornamental design for a tent, as shown and described.

**DESCRIPTION**

FIG. 1 is a perspective view of a tent showing my new design;

FIG. 2 is another perspective view thereof;

FIG. 3 is a front elevational view thereof;

FIG. 4 is a rear elevational view thereof;

FIG. 5 is a left side elevational view thereof;

FIG. 6 is a right side elevational view thereof;

FIG. 7 is a top plan view thereof;

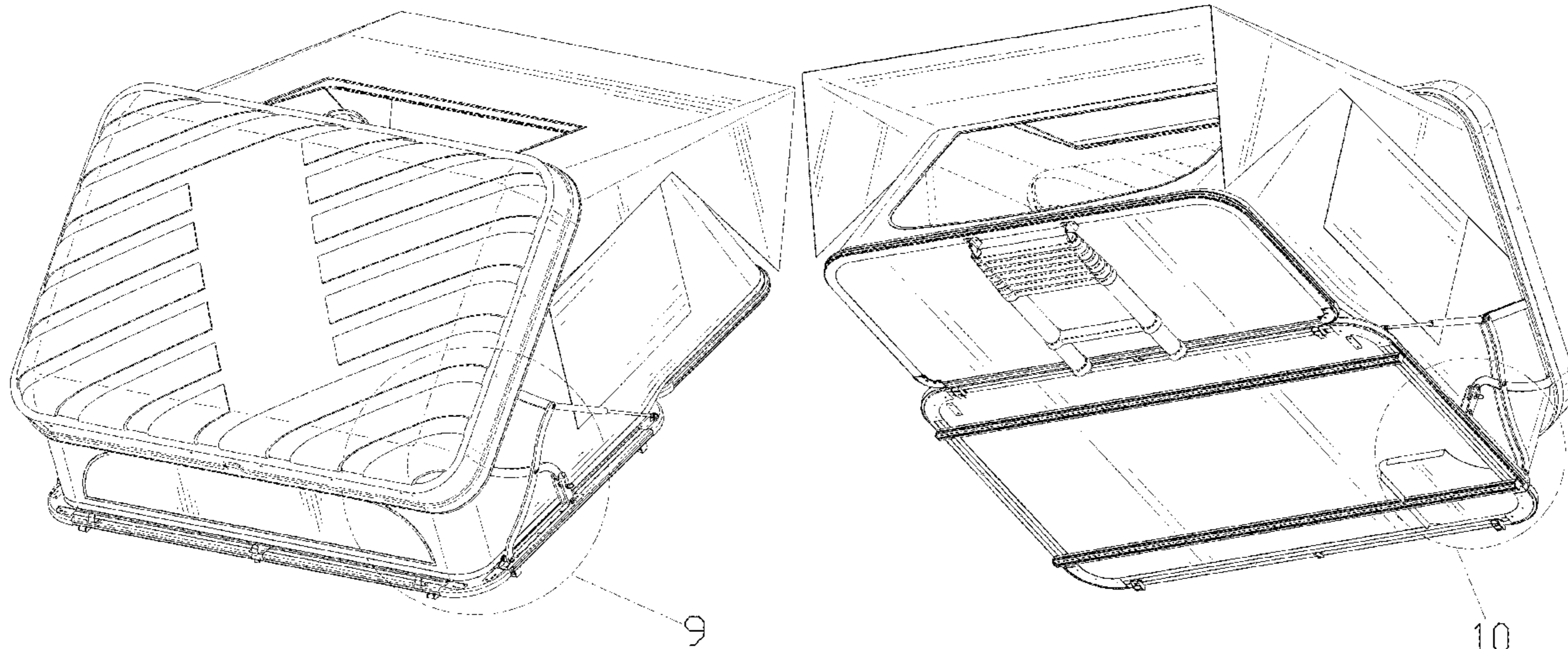
FIG. 8 is a bottom plan view thereof;

FIG. 9 is an enlarged view of portion 9 shown in FIG. 1; and,

FIG. 10 is an enlarged view of portion 10 shown in FIG. 2.

The broken lines in the drawings depict portions of the tent that form no part of the claimed design.

**1 Claim, 10 Drawing Sheets**



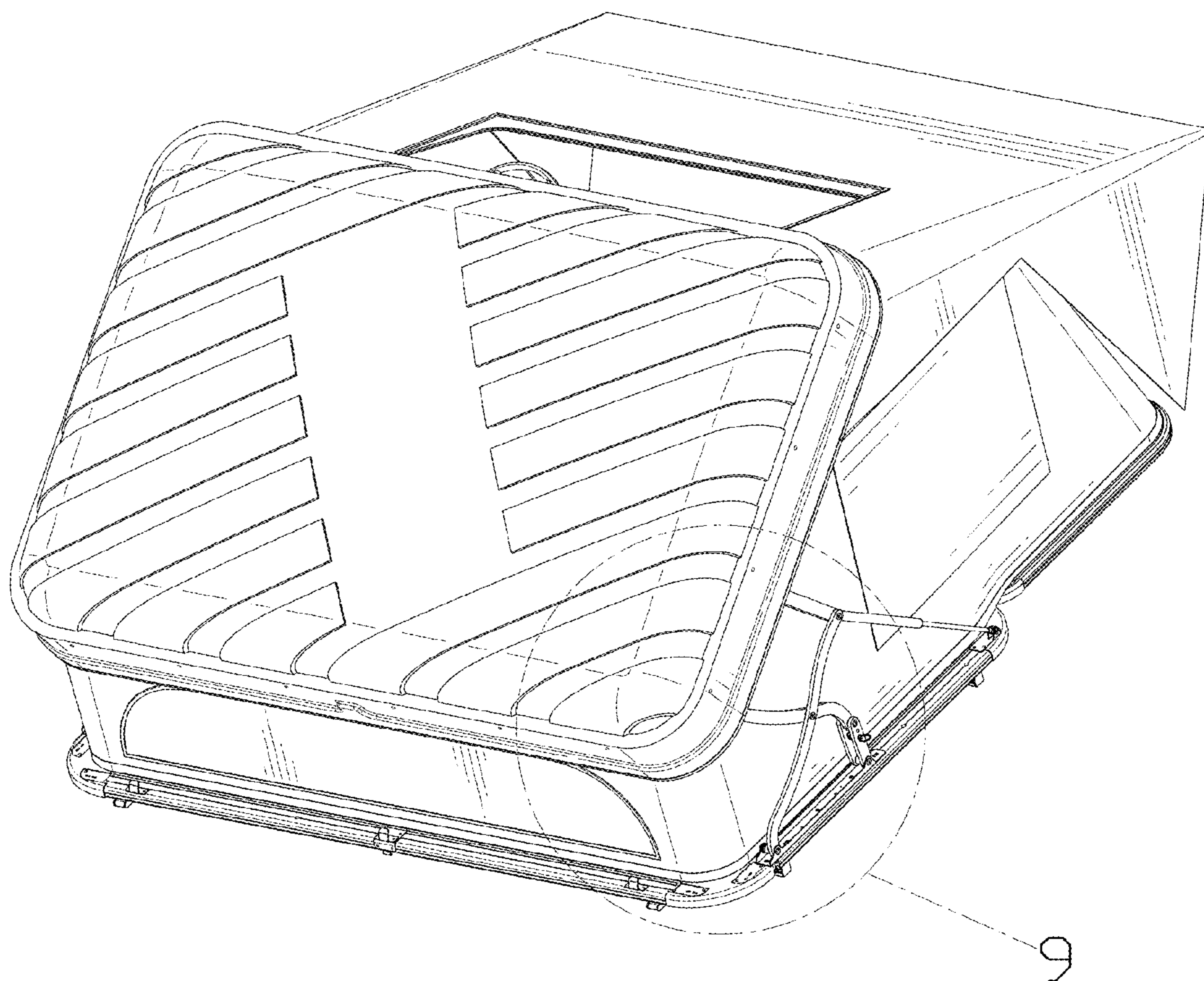


FIG. 1

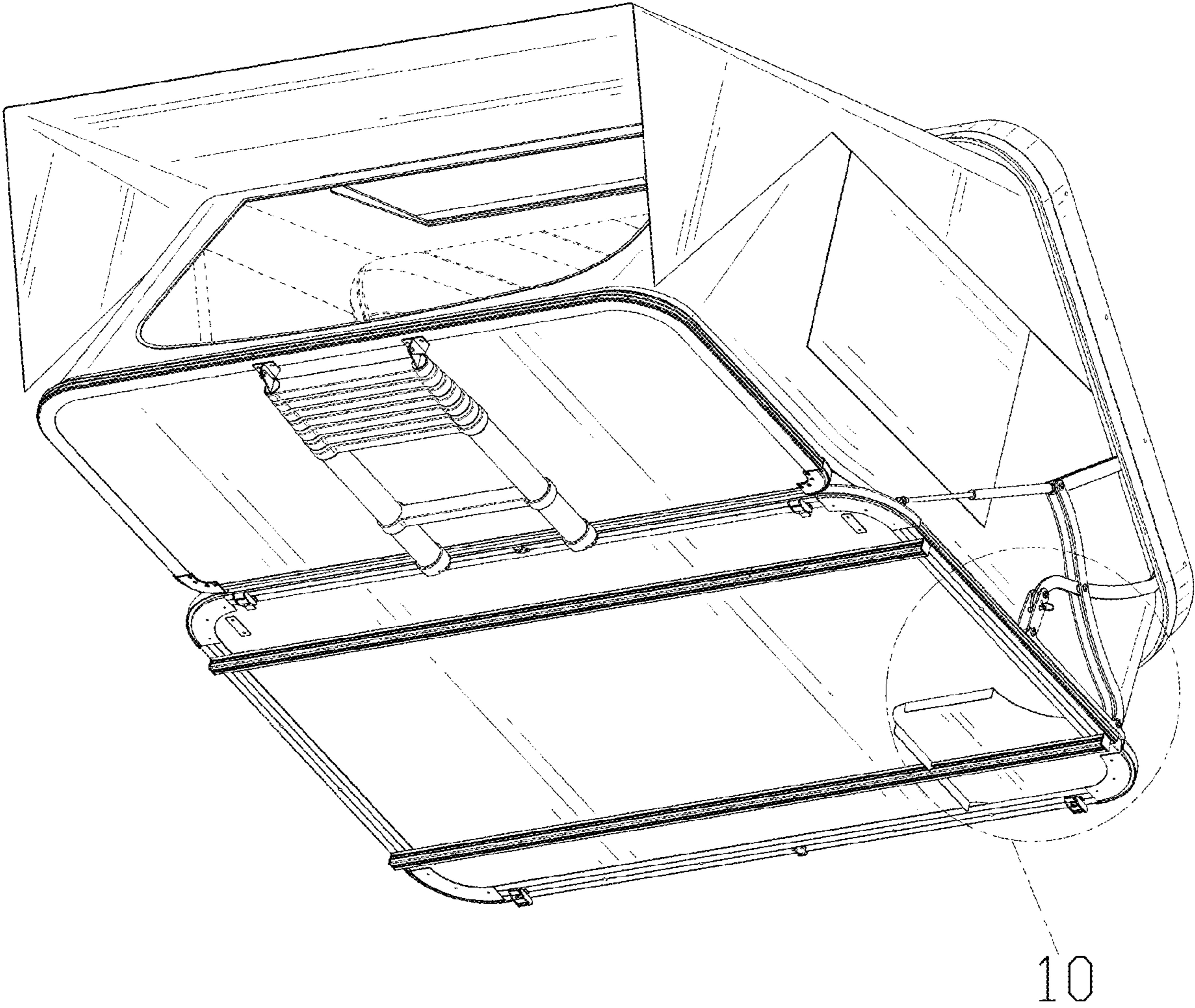


FIG. 2

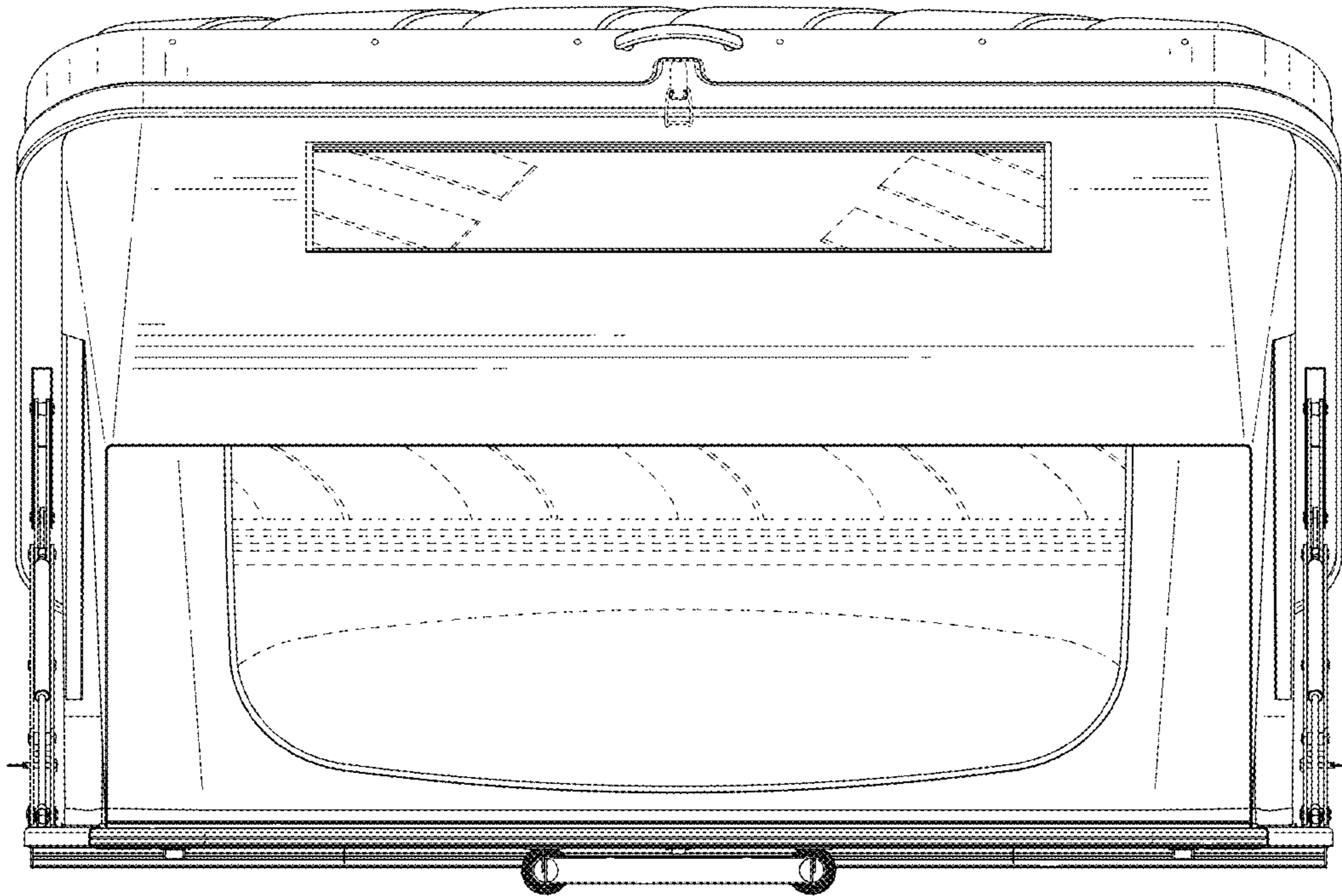


FIG. 3

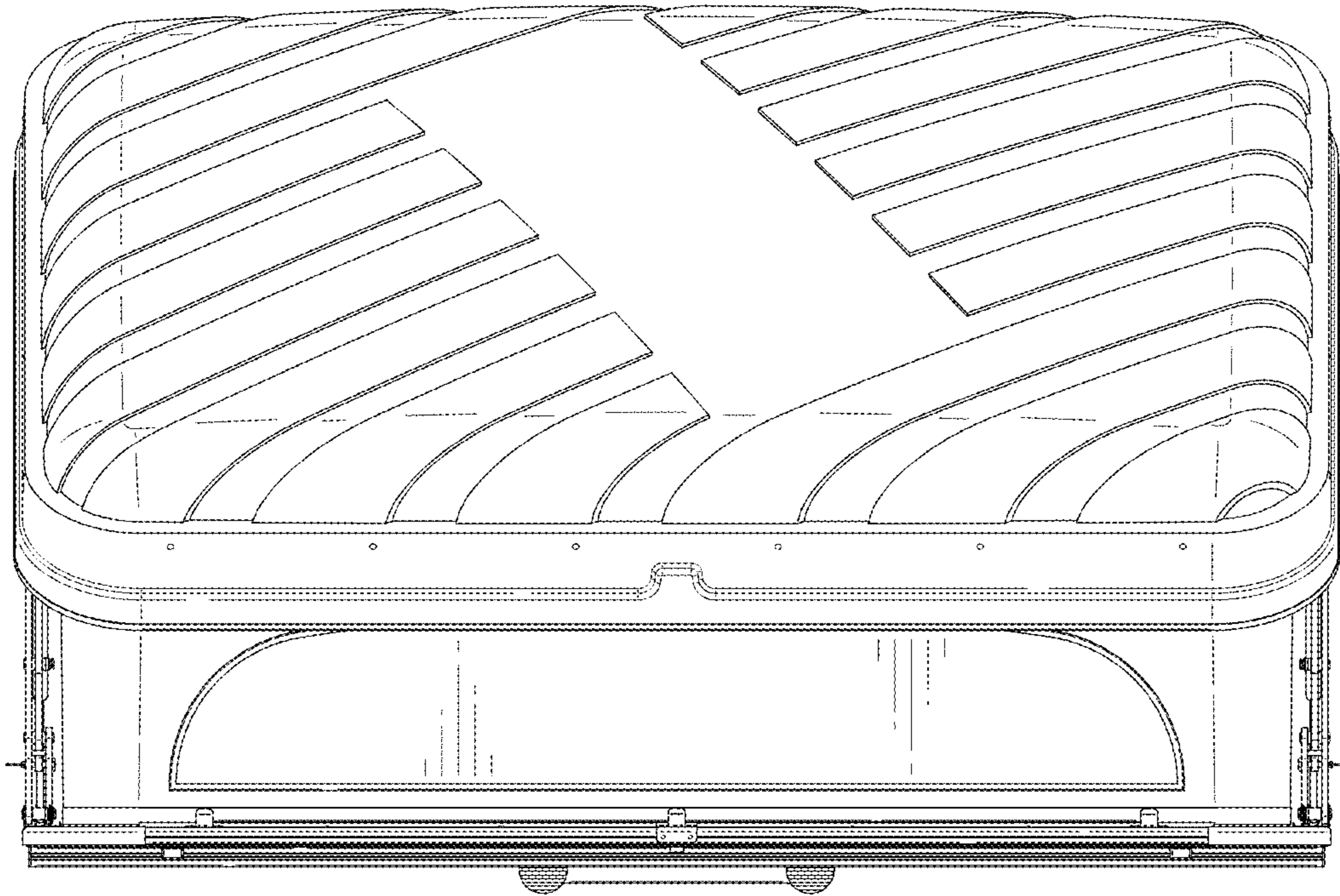


FIG. 4

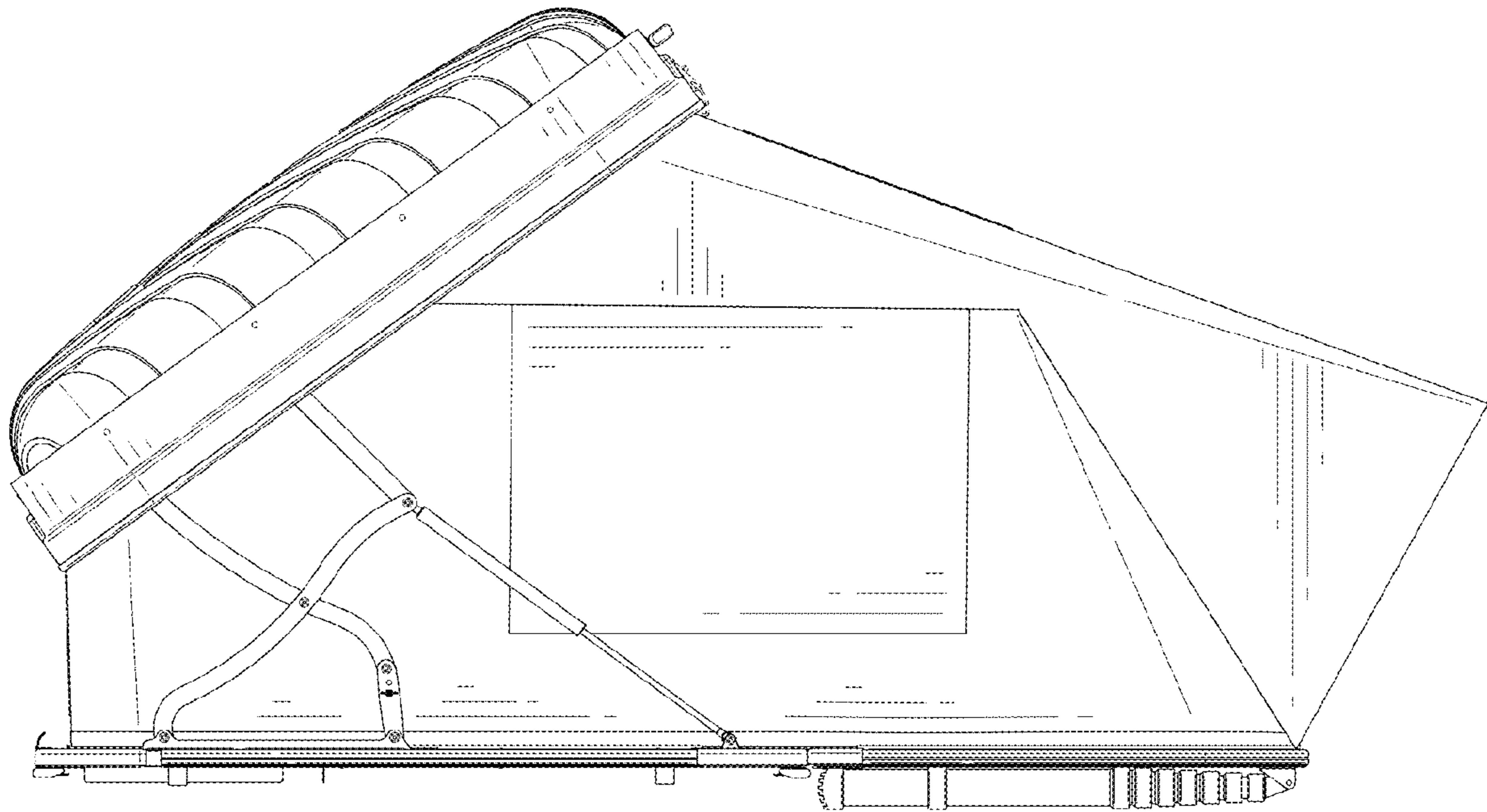


FIG. 5

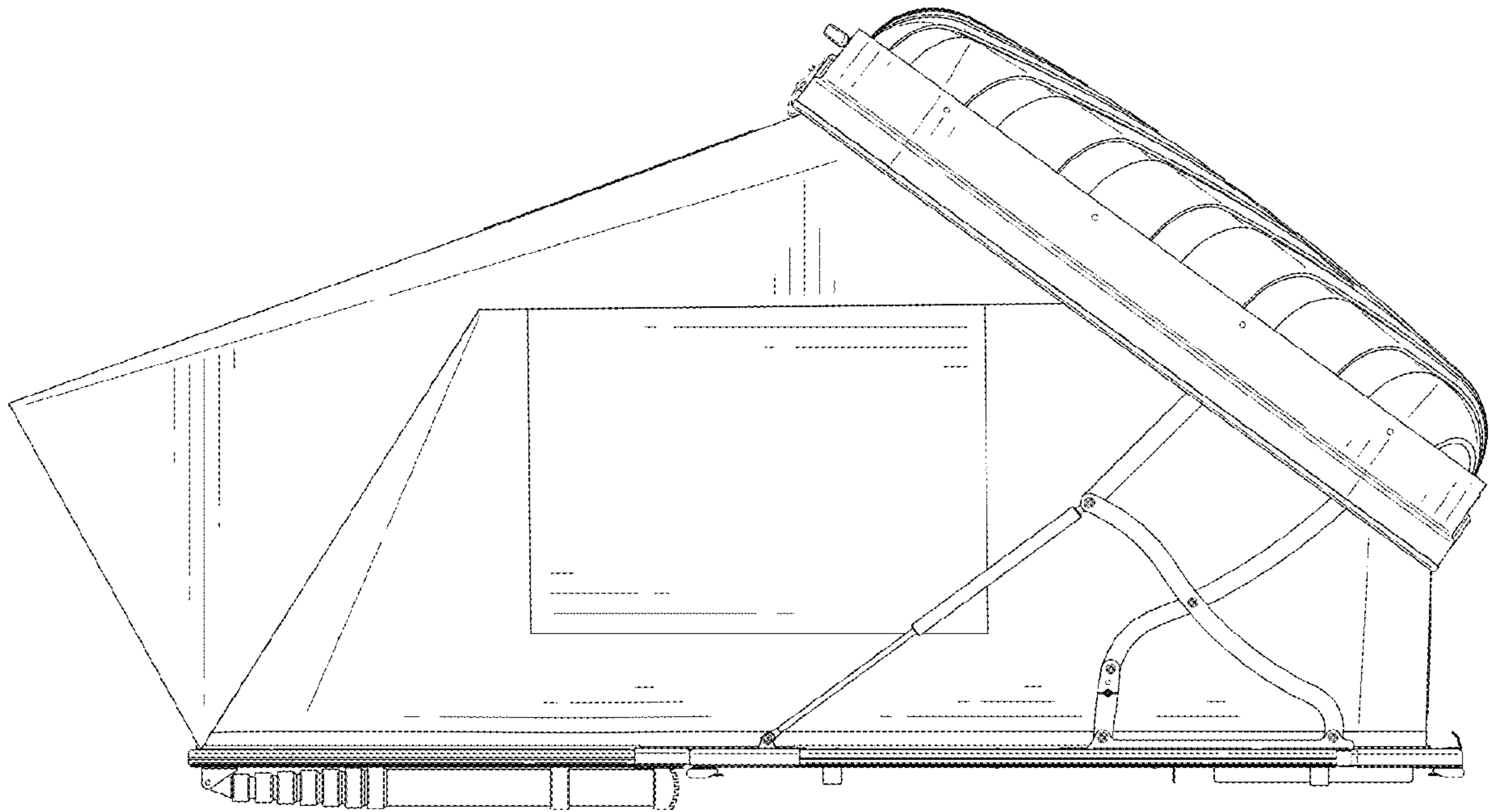


FIG. 6

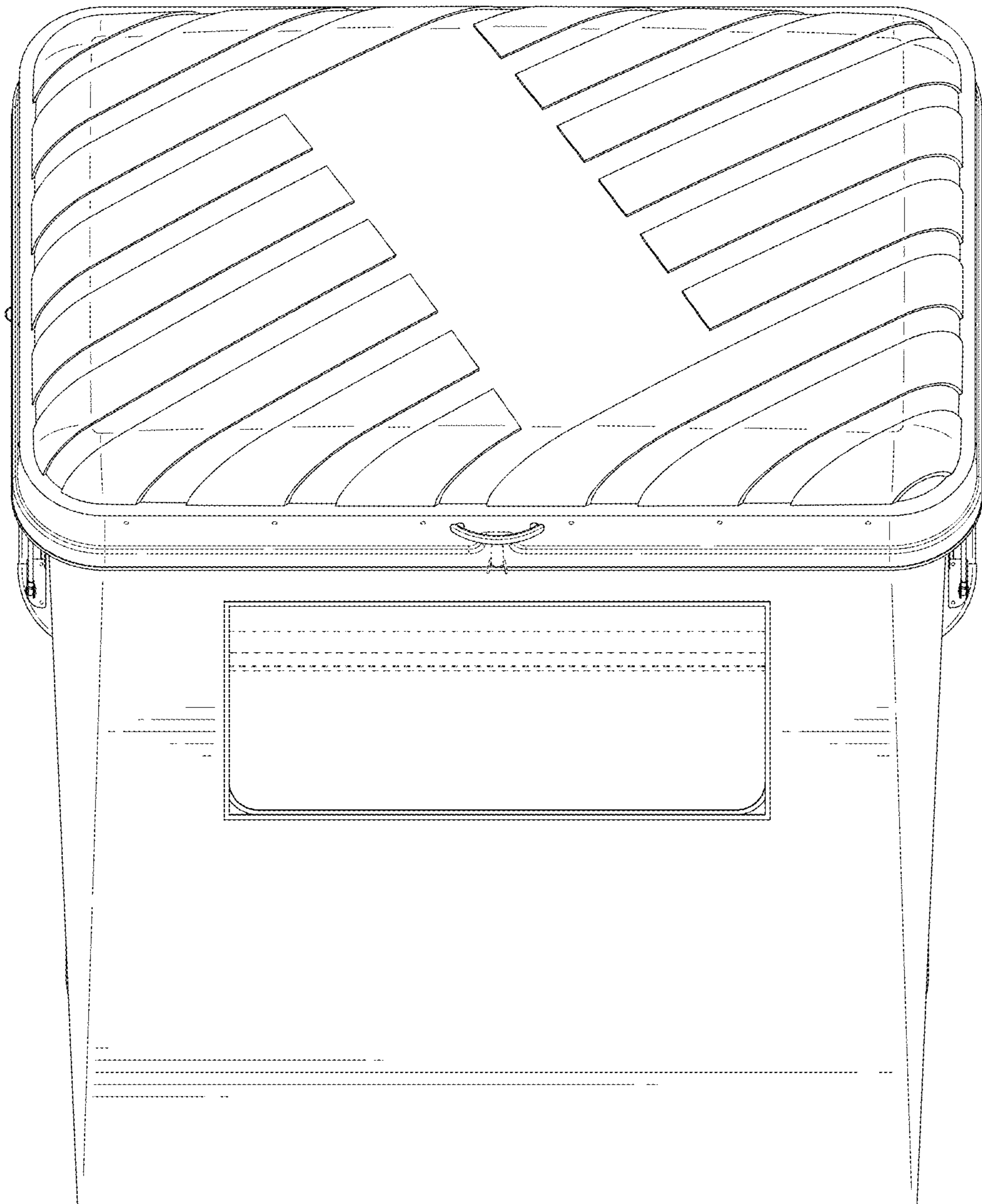


FIG. 7



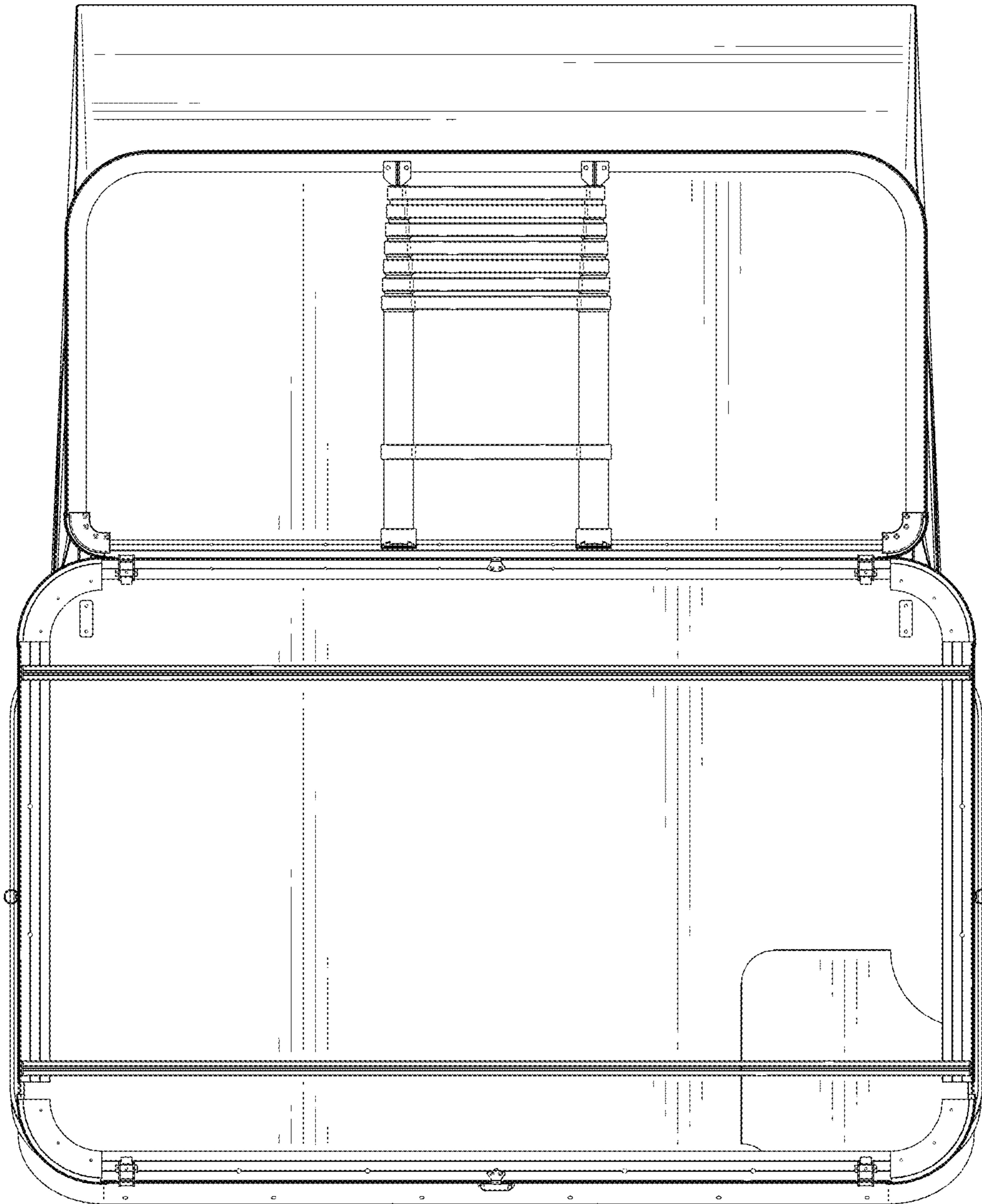


FIG. 8

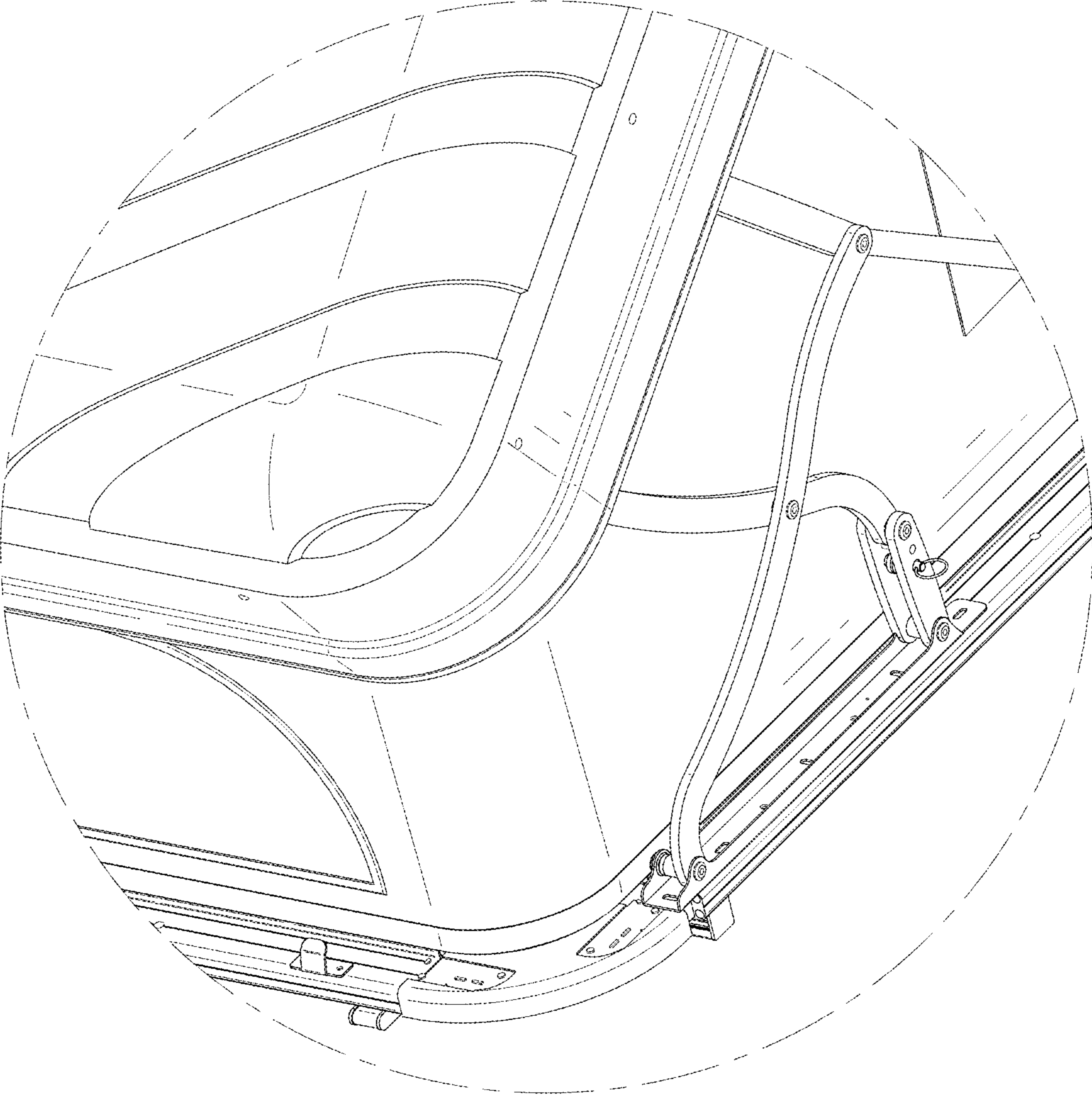


FIG. 9

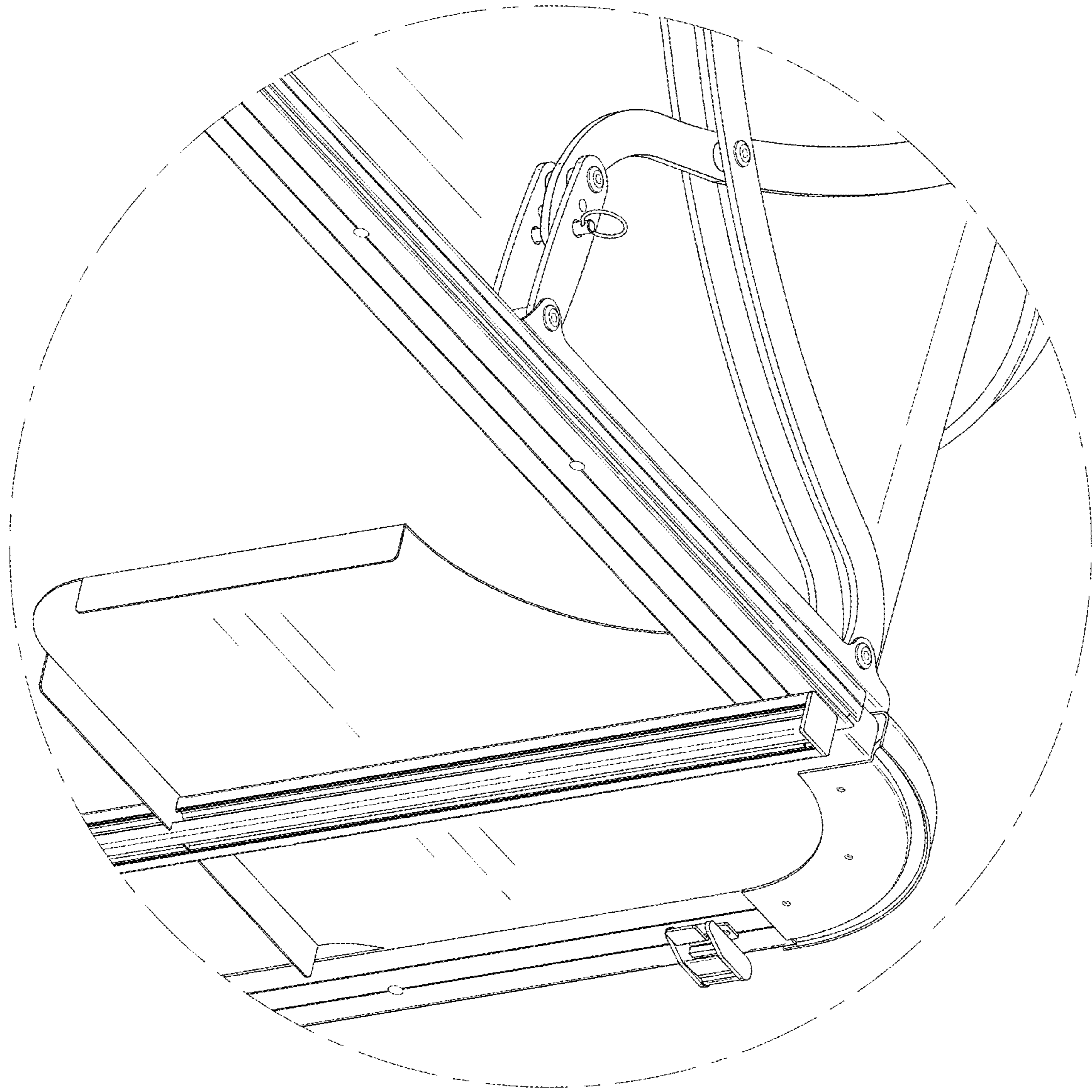


FIG. 10