



US00D939653S

(12) **United States Design Patent** (10) **Patent No.:** **US D939,653 S**
Johnson (45) **Date of Patent:** **** Dec. 28, 2021**

- (54) **GOLF BALL LIFTER FOR FLAGSTICK**
- (71) Applicant: **James Evan Johnson**, Minnetonka, MN (US)
- (72) Inventor: **James Evan Johnson**, Minnetonka, MN (US)
- (73) Assignee: **Falcon Golf, LLC**, St. Louis Park, MN (US)
- (**) Term: **15 Years**
- (21) Appl. No.: **29/693,728**
- (22) Filed: **Jun. 4, 2019**
- (51) **LOC (13) Cl.** **21-02**
- (52) **U.S. Cl.**
USPC **D21/789**
- (58) **Field of Classification Search**
USPC D21/789, 790, 796
CPC A63B 57/357; A63B 57/40; A63B 57/50
See application file for complete search history.

- 7,455,594 B1 * 11/2008 Priegel A63B 57/357
473/176
- 7,500,919 B2 * 3/2009 Priegel A63B 57/357
473/176
- D642,958 S * 8/2011 Long D11/182
- 8,147,346 B2 * 4/2012 Long A63B 57/357
473/176
- 8,740,716 B1 6/2014 Mallonee
- D828,890 S * 9/2018 Niswonger D21/796
- D903,025 S * 11/2020 Davis D21/789

(Continued)

Primary Examiner — Mitchell I. Siegel
(74) *Attorney, Agent, or Firm* — Christensen, Fonder, Dardi & Herbert PLLC

(57) **CLAIM**

I claim the ornamental design for a golfball lifter for a flagstick, as shown and described.

DESCRIPTION

FIG. 1 is a perspective view of golfball lifter for a flagstick showing my new design, the view for the opposite side being identical thereto;

FIG. 2 is a downward perspective view thereof, the view for the opposite side being identical thereto;

FIG. 3 is a top plan view thereof;

FIG. 4 is cross sectional view taken at line 4-4 of FIG. 3;

FIG. 5 is cross sectional view taken at line 5-5 of FIG. 3; and,

FIG. 6 is a bottom plan view thereof.

The cross sectional views are to aid in showing the structure in order to minimize the number of views. The broken tubular portion of FIGS. 1 and 2 is not part of the invention and illustrates that the length of the tubular portion is not part of the claim.

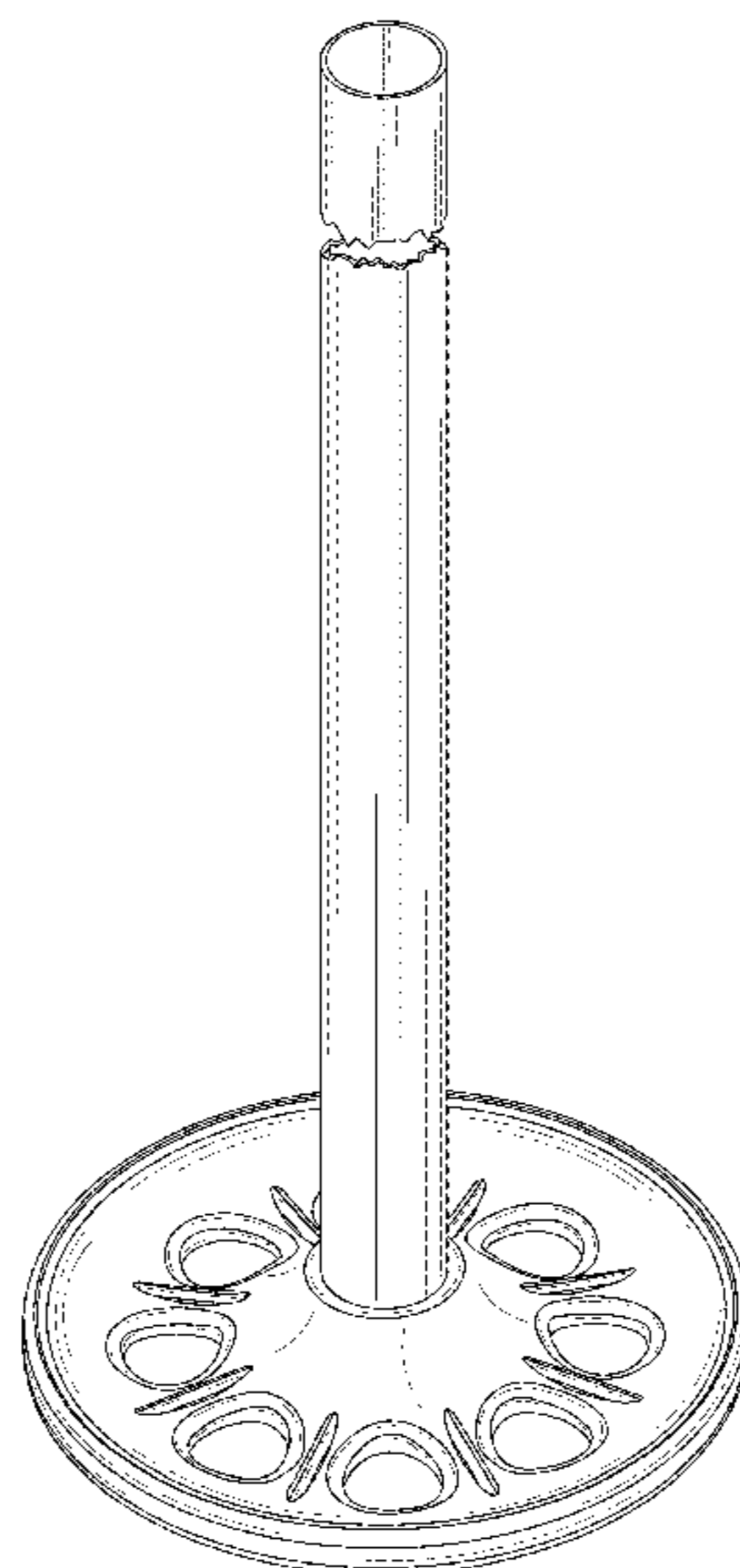
The tubular portion separated and bound by a bracket in FIGS. 1 and 2 is shown to indicate indeterminate length and forms no part of the claimed design.

1 Claim, 6 Drawing Sheets

(56) **References Cited**

U.S. PATENT DOCUMENTS

- 1,402,026 A 1/1922 Waddell
- 1,599,734 A 9/1926 Wilson
- 1,829,283 A 10/1931 Kip
- 3,310,026 A 3/1967 Baird, Jr.
- 4,114,879 A * 9/1978 Oiler A63B 57/40
473/177
- 5,120,063 A * 6/1992 Birchler A63B 57/40
473/180
- 5,451,045 A * 9/1995 Garske A63B 57/357
473/176
- 5,964,667 A * 10/1999 Brookman A63B 57/40
473/176
- D431,624 S * 10/2000 Colonello D21/789
- 6,767,289 B2 * 7/2004 Porter A63B 57/357
473/175
- 7,033,280 B2 * 4/2006 Hottie A63B 57/357
473/176



(56)

References Cited

U.S. PATENT DOCUMENTS

2002/0094878 A1* 7/2002 Porter A63B 57/357
473/175
2003/0096659 A1* 5/2003 Webb A63B 57/357
473/174
2009/0137331 A1* 5/2009 Hansen A63B 57/40
473/176
2020/0330837 A1* 10/2020 Manley A63B 57/357

* cited by examiner

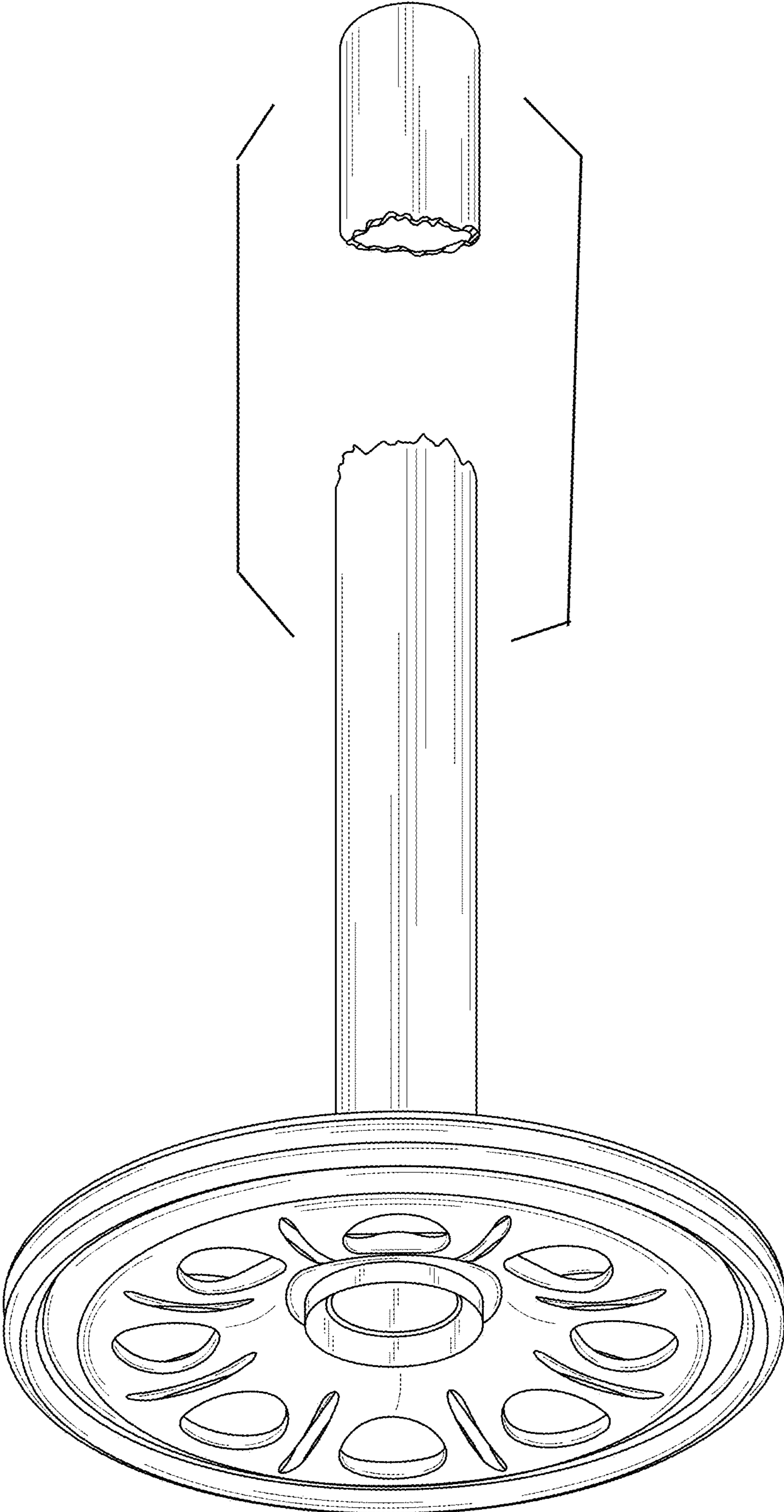


FIG. 1

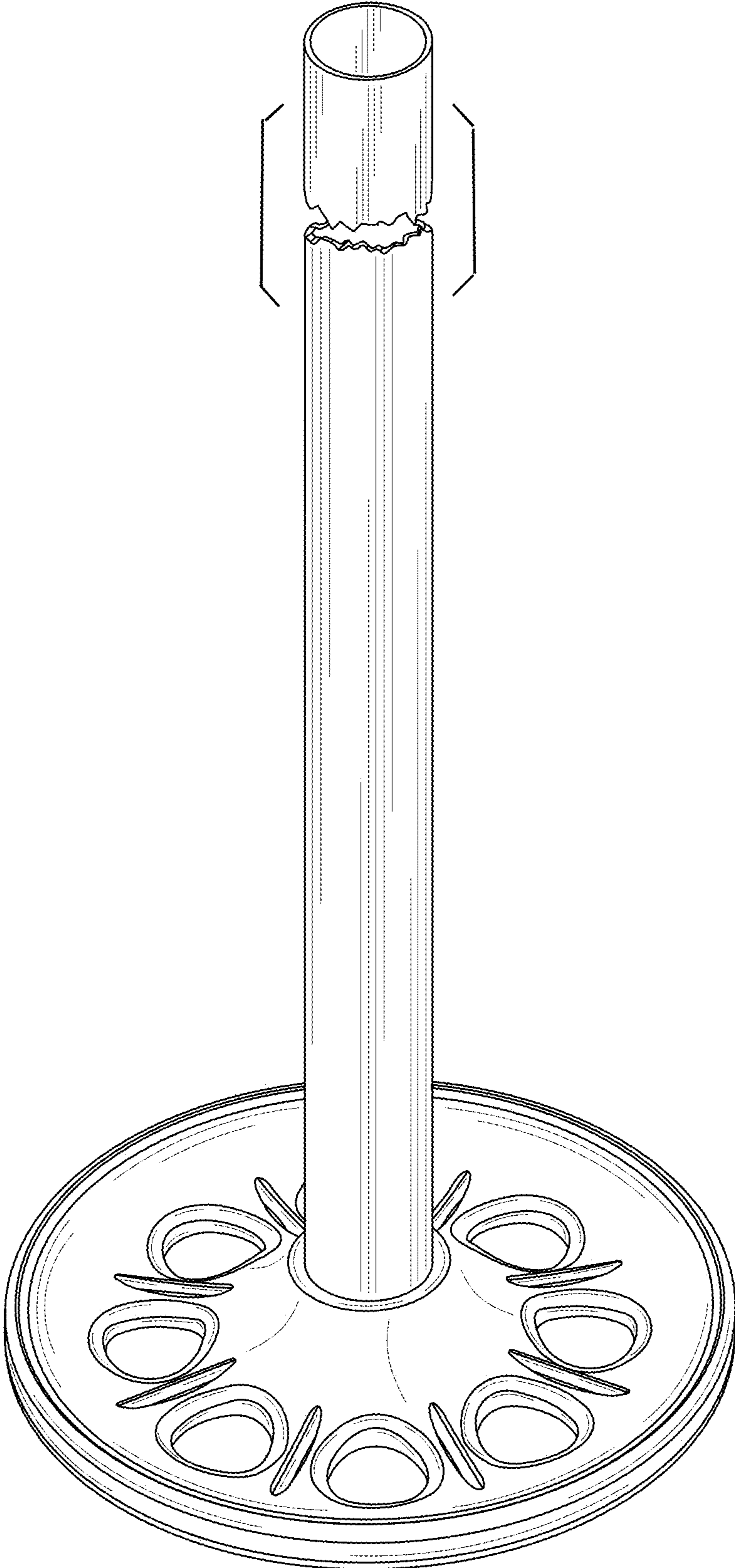


FIG. 2

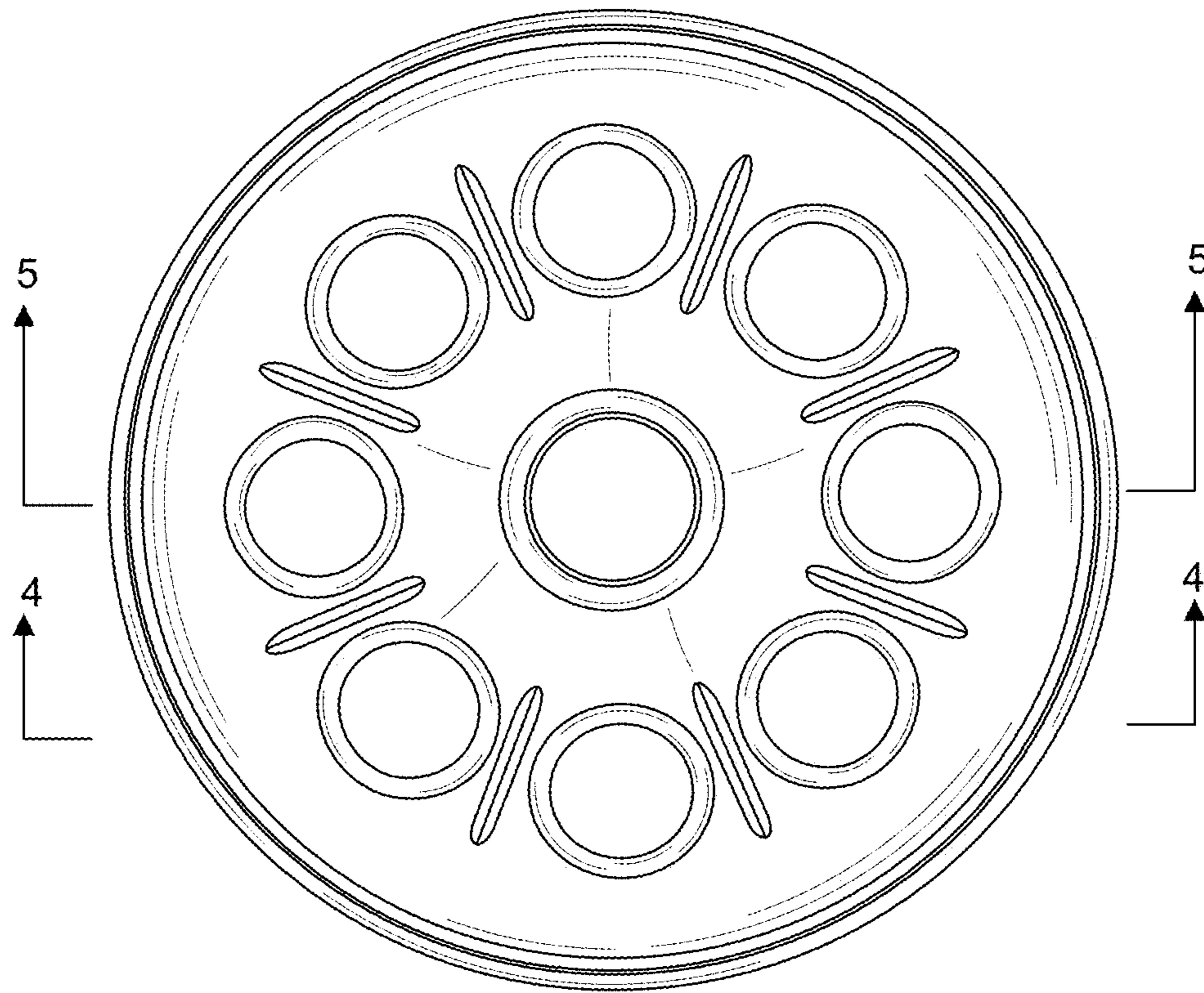


FIG. 3

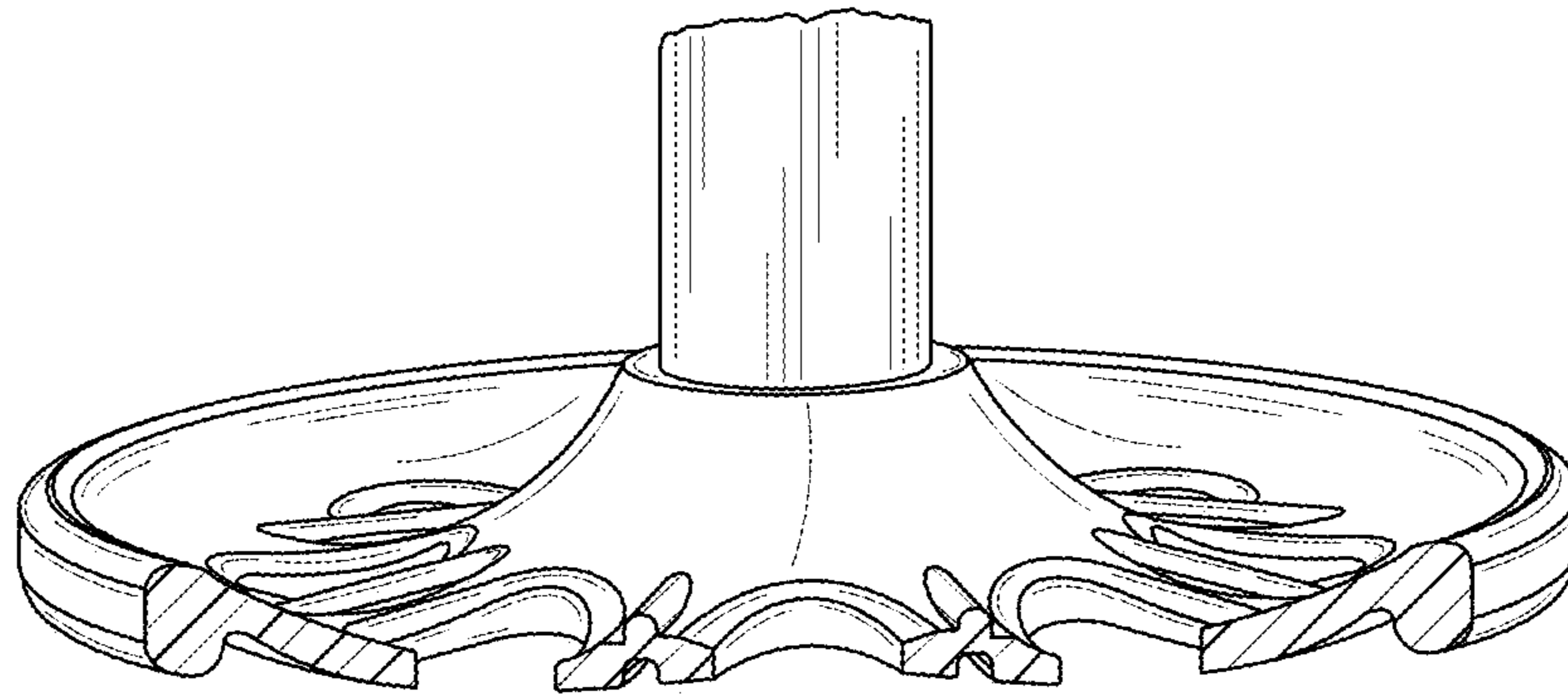


FIG. 4

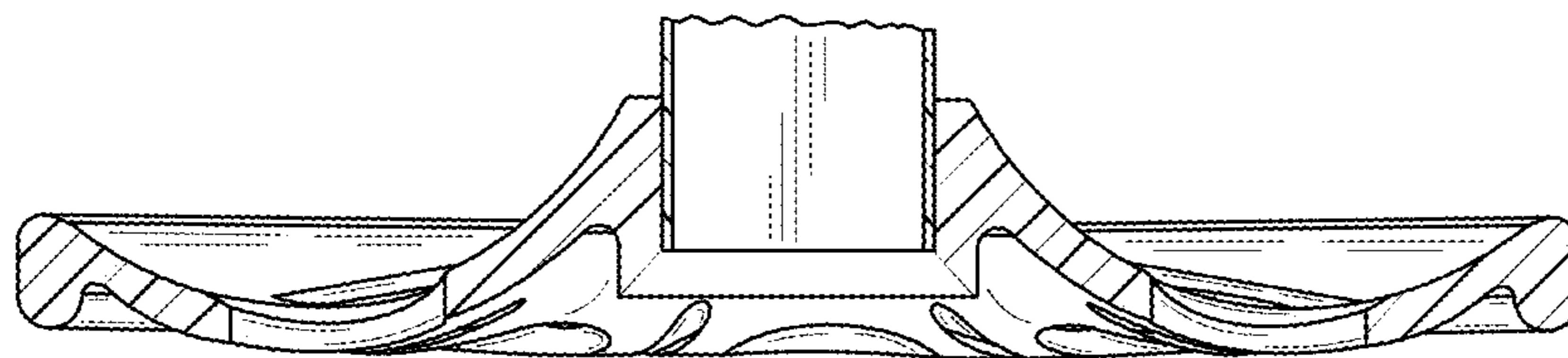


FIG. 5

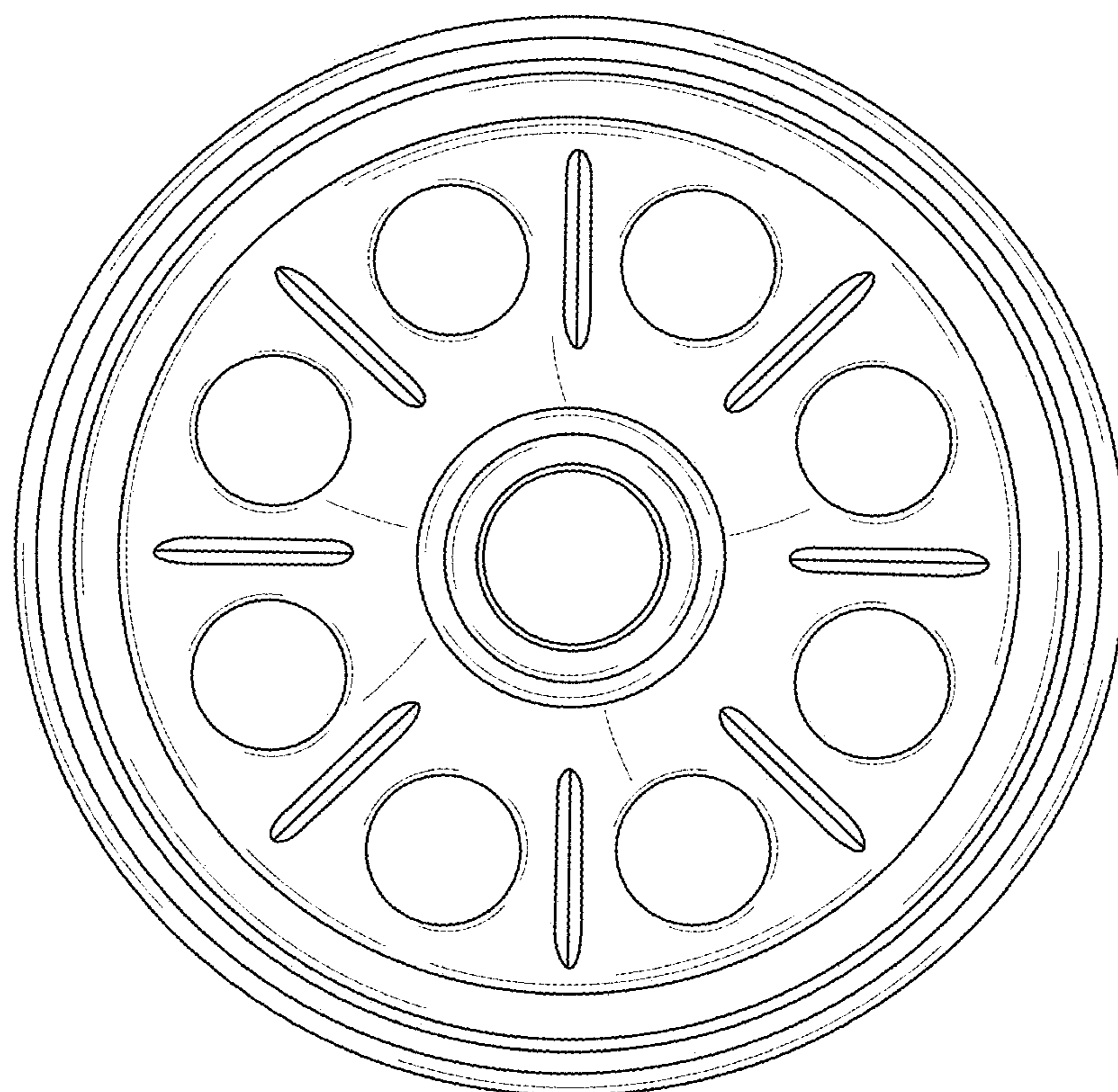


FIG. 6