



US00D939652S

(12) **United States Design Patent**
Kroloff

(10) **Patent No.:** **US D939,652 S**

(45) **Date of Patent:** **** Dec. 28, 2021**

- (54) **GOLF CLUB HOSEL**
- (71) Applicant: **PARSONS XTREME GOLF, LLC**,
Scottsdale, AZ (US)
- (72) Inventor: **Caleb S. Kroloff**, Phoenix, AZ (US)
- (73) Assignee: **Parsons Xtreme Golf, LLC**,
Scottsdale, AZ (US)
- (**) Term: **15 Years**

D336,757 S * 6/1993 Antonious D21/742
 5,275,412 A 1/1994 Innes
 D350,582 S 9/1994 Miansian et al.
 D355,687 S * 2/1995 Morrow D21/744
 D360,668 S * 7/1995 Hattori D21/741
 (Continued)

FOREIGN PATENT DOCUMENTS

JP 2005160691 A 6/2005
 WO 2006087846 A1 8/2006

OTHER PUBLICATIONS

TourSpecGolf (Gold's Factory Multi Weighted Custom Putter)
 [online]. Nov. 20, 2010 [retrieved May 8, 2019] Retrieved from the
 Internet.

(Continued)

Primary Examiner — Mitchell I. Siegel

- (21) Appl. No.: **29/736,425**
- (22) Filed: **May 29, 2020**
- (51) **LOC (13) Cl.** **21-02**
- (52) **U.S. Cl.**
USPC **D21/759**
- (58) **Field of Classification Search**
USPC D21/736-746, 733, 752, 759
CPC A63B 53/00; A63B 53/04; A63B 53/007;
A63B 53/0466; A63B 53/065; A63B
53/0487; A63B 2053/002; A63B
2053/0445; A63B 2053/0433; A63B
2053/0491; A63B 2053/0437; A63B
60/00; A63B 60/46
See application file for complete search history.

(57) **CLAIM**

The ornamental design for a golf club hosel, as shown and described.

DESCRIPTION

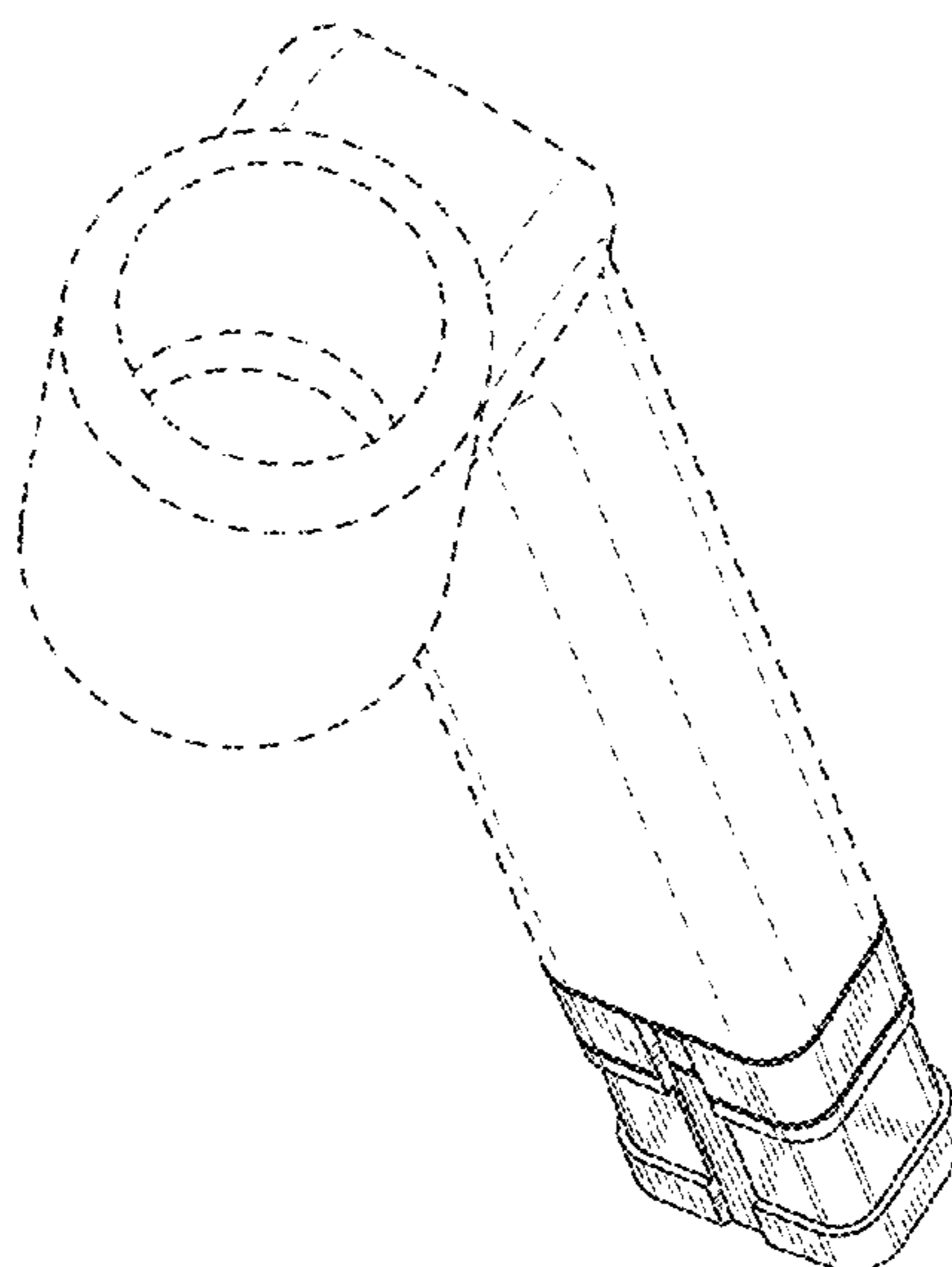
FIG. 1 is a top perspective view of a golf club hosel;
 FIG. 2 is a bottom perspective view of the golf club hosel of
 FIG. 1;
 FIG. 3 is a front elevational view of the golf club hosel of
 FIG. 1;
 FIG. 4 is a rear elevational view of the golf club hosel of
 FIG. 1;
 FIG. 5 is a top view of the golf club hosel of FIG. 1;
 FIG. 6 is a bottom view of the golf club hosel of FIG. 1;
 FIG. 7 is a left side view of the golf club hosel of FIG. 1;
 and,
 FIG. 8 is a right side view of the golf club hosel of FIG. 1.
 The broken lines shown on the drawings form no part of the
 claimed design.

(56) **References Cited**

U.S. PATENT DOCUMENTS

922,444 A 5/1909 Youds
 RE19,178 E 5/1934 Spiker
 4,043,562 A 8/1977 Shillington
 4,340,230 A 7/1982 Churchward
 4,754,977 A 7/1988 Sahn
 4,832,340 A * 5/1989 Pickering A63B 53/02
 473/313
 4,869,507 A 9/1989 Sahn
 D326,303 S * 5/1992 Cameron D21/743
 5,137,275 A 8/1992 Nelson
 D335,317 S 5/1993 Shearer
 D335,692 S * 5/1993 Antonious D21/736

1 Claim, 4 Drawing Sheets



(56)

References Cited

U.S. PATENT DOCUMENTS

5,429,366 A	7/1995	McCabe		D531,242 S	10/2006	Adams	
D363,101 S	10/1995	Sturm		D532,067 S	11/2006	Soracco et al.	
5,454,563 A	10/1995	Nagamoto et al.		7,153,220 B2	12/2006	Lo	
D365,864 S *	1/1996	Sturm	D21/746	D534,595 S	1/2007	Hasebe	
5,489,097 A	2/1996	Simmons		7,156,752 B1	1/2007	Bennett	
D368,751 S	4/1996	Rife		D536,401 S	2/2007	Kawami	
D369,393 S	4/1996	Takahashi et al.		D536,403 S	2/2007	Kawami	
5,571,053 A	11/1996	Lane		D538,371 S	3/2007	Kawami	
D378,688 S	4/1997	Cameron		7,201,668 B1	4/2007	Pamias	
D381,728 S *	7/1997	Cameron	D21/759	7,204,765 B2	4/2007	Cover et al.	
D385,609 S *	10/1997	Cameron	D21/742	D542,869 S	5/2007	Adams	
5,683,307 A	11/1997	Rife		D543,598 S	5/2007	Kuan et al.	
D388,143 S	12/1997	Huan-Chiang		D543,601 S	5/2007	Kawami	
D388,488 S *	12/1997	Cameron	D21/759	D555,219 S	11/2007	Lin	
D389,207 S *	1/1998	Cameron	D21/742	D556,277 S	11/2007	Broom	
5,711,719 A *	1/1998	Fireman	A63B 53/02 473/251	7,309,297 B1	12/2007	Solari	
5,720,671 A	2/1998	Cheng		D561,854 S	2/2008	Morris	
D396,082 S *	7/1998	Sheets	D21/742	7,331,876 B2	2/2008	Klein	
D396,258 S *	7/1998	Sheets	D21/742	7,351,162 B2	4/2008	Soracco et al.	
D398,685 S	9/1998	Masuda		D569,461 S	5/2008	Morris	
D399,290 S	10/1998	Sizemore, Jr.		D569,930 S	5/2008	Nehrbas	
D399,911 S	10/1998	Nicolette et al.		7,396,289 B2	7/2008	Soracco et al.	
5,839,974 A	11/1998	McAllister		7,416,494 B2	8/2008	Edel	
D405,836 S	2/1999	Nicolette et al.		D577,085 S	9/2008	Nicolette et al.	
D409,701 S	5/1999	Ashcraft et al.		D577,086 S	9/2008	Nicolette et al.	
5,924,938 A	7/1999	Hines		D579,506 S	10/2008	Nicolette et al.	
6,007,434 A	12/1999	Baker et al.		D579,995 S	11/2008	Nicolette et al.	
6,039,656 A *	3/2000	Fireman	A63B 53/02 473/131	D582,497 S	12/2008	Rollinson	
D422,655 S	4/2000	Hicks		7,473,189 B2	1/2009	Schweigert et al.	
D422,660 S *	4/2000	Grace	D21/759	7,491,131 B2	2/2009	Vinton	
6,050,903 A	4/2000	Lake		D595,793 S	7/2009	Rollinson	
D426,276 S	6/2000	Besnard et al.		D599,425 S	9/2009	Laub	
D428,086 S *	7/2000	Solheim	D21/743	D600,763 S	9/2009	Cameron	
6,083,117 A *	7/2000	Hsu	A63B 53/0487 473/332	7,744,485 B2 *	6/2010	Jones	A63B 60/02 473/324
D431,854 S	10/2000	Cameron		D620,993 S *	8/2010	Laub	D21/746
D432,192 S	10/2000	Hicks		D621,461 S	8/2010	Serrano et al.	
D436,151 S *	1/2001	Nicolette	D21/759	D623,709 S	9/2010	Serrano et al.	
D437,374 S	2/2001	Cameron		D631,925 S	2/2011	Broom	
D438,273 S *	2/2001	Sizemore, Jr.	D21/736	7,887,432 B2	2/2011	Jones et al.	
D441,820 S	5/2001	Nicolette et al.		7,909,707 B2	3/2011	Klein	
6,234,915 B1	5/2001	Wu		7,918,745 B2	4/2011	Morris et al.	
D443,668 S *	6/2001	Nicolette	D21/759	D638,891 S	5/2011	Nicolette et al.	
D443,905 S	6/2001	Nicolette et al.		D642,643 S	8/2011	Nicolette et al.	
D444,833 S	7/2001	Wells et al.		D643,485 S	8/2011	Nicolette et al.	
6,264,571 B1	7/2001	Lekavich		D645,104 S	9/2011	Nicolette et al.	
D449,664 S	10/2001	Beebe et al.		8,096,039 B2	1/2012	Soracco et al.	
D449,865 S	10/2001	Fife, Jr. et al.		D653,718 S	2/2012	Stokke et al.	
D450,799 S	11/2001	Nicolette et al.		D661,753 S	6/2012	Cameron et al.	
D451,973 S	12/2001	Wells et al.		D666,260 S	8/2012	Cynn	
6,348,014 B1	2/2002	Chiu		8,371,958 B2	2/2013	Treadwell	
6,354,959 B1	3/2002	Nicolette et al.		8,376,878 B2	2/2013	Bennett et al.	
6,394,910 B1	5/2002	McCarthy		D688,339 S	8/2013	Hilton et al.	
D464,695 S *	10/2002	Long	D21/759	D688,341 S	8/2013	Rollinson	
D472,949 S	4/2003	Serrano		D691,226 S	10/2013	Hilton et al.	
D474,821 S	5/2003	Wells et al.		D699,308 S	2/2014	Rollinson	
D474,949 S	5/2003	Schaffeld et al.		8,696,492 B1 *	4/2014	Hocknell	A63B 53/047 473/342
D483,086 S	12/2003	Schweigert et al.		D704,782 S	5/2014	Rollinson	
6,659,883 B2	12/2003	Nelson et al.		8,721,472 B2	5/2014	Kuan et al.	
D486,872 S	2/2004	Schweigert et al.		8,790,193 B2	7/2014	Serrano et al.	
D488,200 S	4/2004	Olsavsky et al.		D711,483 S *	8/2014	Wong	D21/743
D495,021 S *	8/2004	Gray	D21/759	D715,388 S	10/2014	Serrano et al.	
D498,276 S *	11/2004	Schweigert	D21/743	8,870,674 B1	10/2014	Abbott	
6,902,496 B2 *	6/2005	Solheim	A63B 53/0487 473/341	D722,350 S	2/2015	Schweigert	
D512,116 S	11/2005	Miraflor et al.		D722,351 S	2/2015	Parsons et al.	
6,988,956 B2 *	1/2006	Cover	A63B 53/065 473/244	D722,352 S	2/2015	Nicolette et al.	
6,997,819 B2	2/2006	Naylor et al.		D723,120 S	2/2015	Nicolette	
D520,088 S	5/2006	Parr		D724,164 S	3/2015	Schweigert et al.	
7,077,760 B2 *	7/2006	Gray	A63B 53/007 473/313	D725,208 S	3/2015	Schweigert	
				D726,265 S	4/2015	Nicolette	
				D726,846 S	4/2015	Schweigert	
				D730,462 S	5/2015	Becktor et al.	
				D732,122 S	6/2015	Becktor	
				D732,618 S	6/2015	Becktor et al.	
				D733,234 S	6/2015	Nicolette	
				D738,447 S	9/2015	Schweigert	
				D738,449 S	9/2015	Schweigert	
				D739,487 S	9/2015	Schweigert	

(56)

References Cited

U.S. PATENT DOCUMENTS

D741,426 S 10/2015 Schweigert
 D748,213 S 1/2016 Parsons et al.
 D748,215 S 1/2016 Parsons et al.
 9,272,193 B1 3/2016 Yim
 D753,252 S 4/2016 Schweigert
 9,808,680 B1* 11/2017 Myers A63B 53/02
 D817,423 S* 5/2018 Toulon D21/759
 D837,912 S* 1/2019 Clarke D21/736
 D912,747 S* 3/2021 Iwankow D21/744
 10,960,271 B2* 3/2021 Kroloff A63B 53/0487
 2002/0077193 A1 6/2002 Takeda
 2002/0193174 A1* 12/2002 Edel A63B 53/02
 473/305
 2003/0162599 A1* 8/2003 Klein A63B 53/02
 473/251
 2003/0199332 A1 10/2003 Lindsay
 2003/0228926 A1* 12/2003 Wang A63B 53/047
 473/252
 2004/0014532 A1 1/2004 Lee et al.
 2004/0138003 A1 7/2004 Grace
 2004/0180730 A1 9/2004 Franklin et al.
 2006/0052178 A1 3/2006 Franklin et al.
 2006/0094522 A1 5/2006 Tang et al.
 2006/0223649 A1 10/2006 Rife
 2007/0129163 A1 6/2007 Solari
 2007/0135232 A1 6/2007 Billings
 2007/0142122 A1 6/2007 Bonneau
 2007/0207875 A1 9/2007 Kuan et al.
 2007/0238548 A1 10/2007 Johnson

2008/0139333 A1 6/2008 Klein
 2008/0146372 A1 6/2008 John
 2008/0153621 A1* 6/2008 Rollinson A63B 53/02
 473/313
 2008/0176672 A1 7/2008 Roach et al.
 2009/0029800 A1 1/2009 Jones et al.
 2009/0163287 A1 6/2009 Vald'Via et al.
 2009/0239678 A1 9/2009 Cruz et al.
 2009/0286612 A1* 11/2009 Pouliot A63B 53/00
 473/251
 2010/0035700 A1 2/2010 Yu et al.
 2010/0255922 A1 10/2010 Lueders
 2010/0317454 A1 12/2010 Sato et al.
 2011/0165959 A1 7/2011 Klein
 2013/0023356 A1* 1/2013 Sandoval A63B 60/00
 473/340
 2013/0165256 A1 6/2013 Stevenson
 2013/0210537 A1 8/2013 Ainscough et al.
 2015/0306477 A1 10/2015 Parsons et al.
 2016/0016050 A1 1/2016 Rife
 2016/0346649 A1 12/2016 Jertson et al.
 2017/0361180 A1* 12/2017 Kroloff A63B 60/02
 2018/0001163 A1 1/2018 Becktor et al.
 2018/0264333 A1* 9/2018 Schweigert A63B 53/0487
 2018/0361206 A1 12/2018 Becktor et al.

OTHER PUBLICATIONS

U.S. Appl. No. 29/523,587, Schweigert, "Golf Club Head," filed Apr. 10, 2015.

* cited by examiner

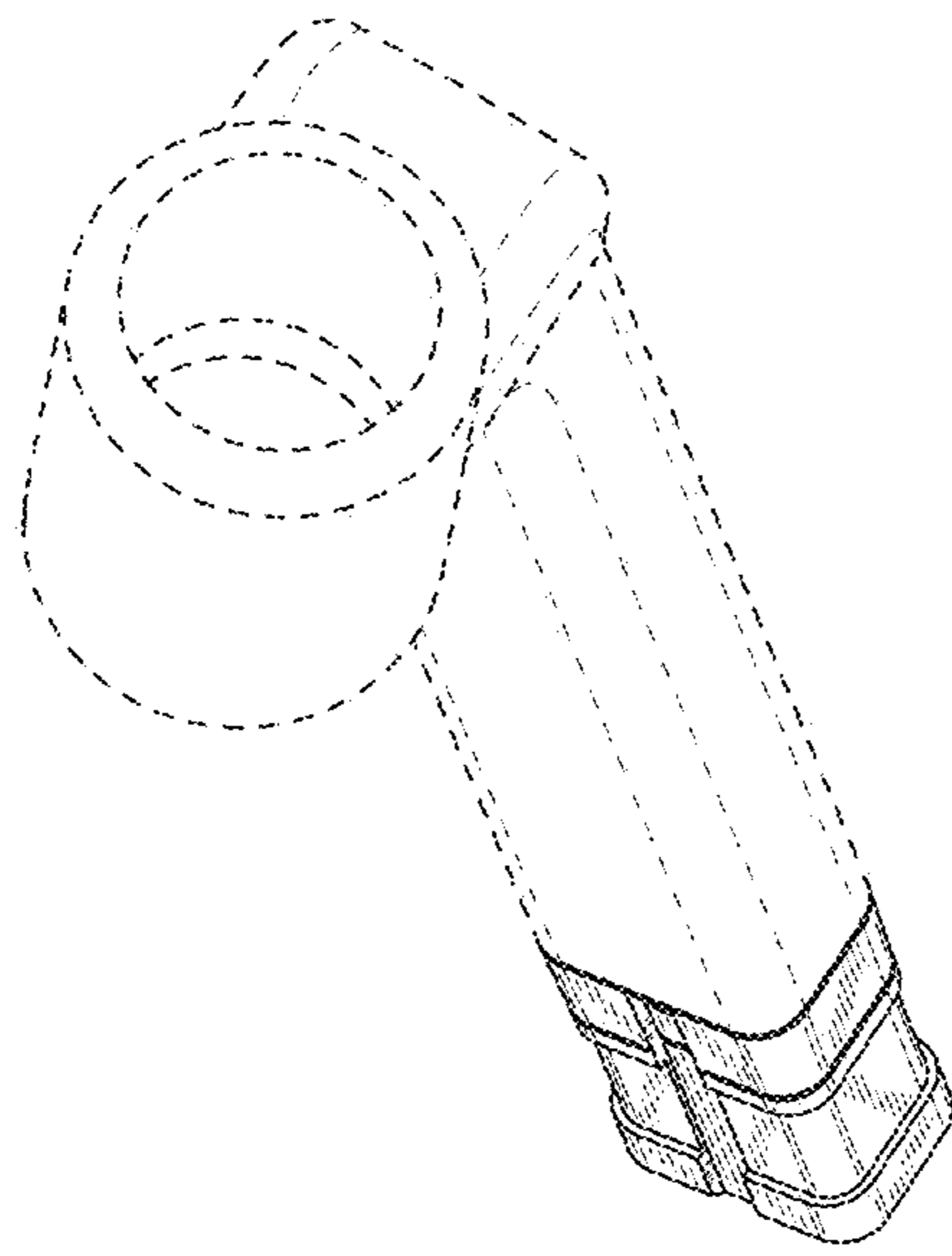


FIG. 1

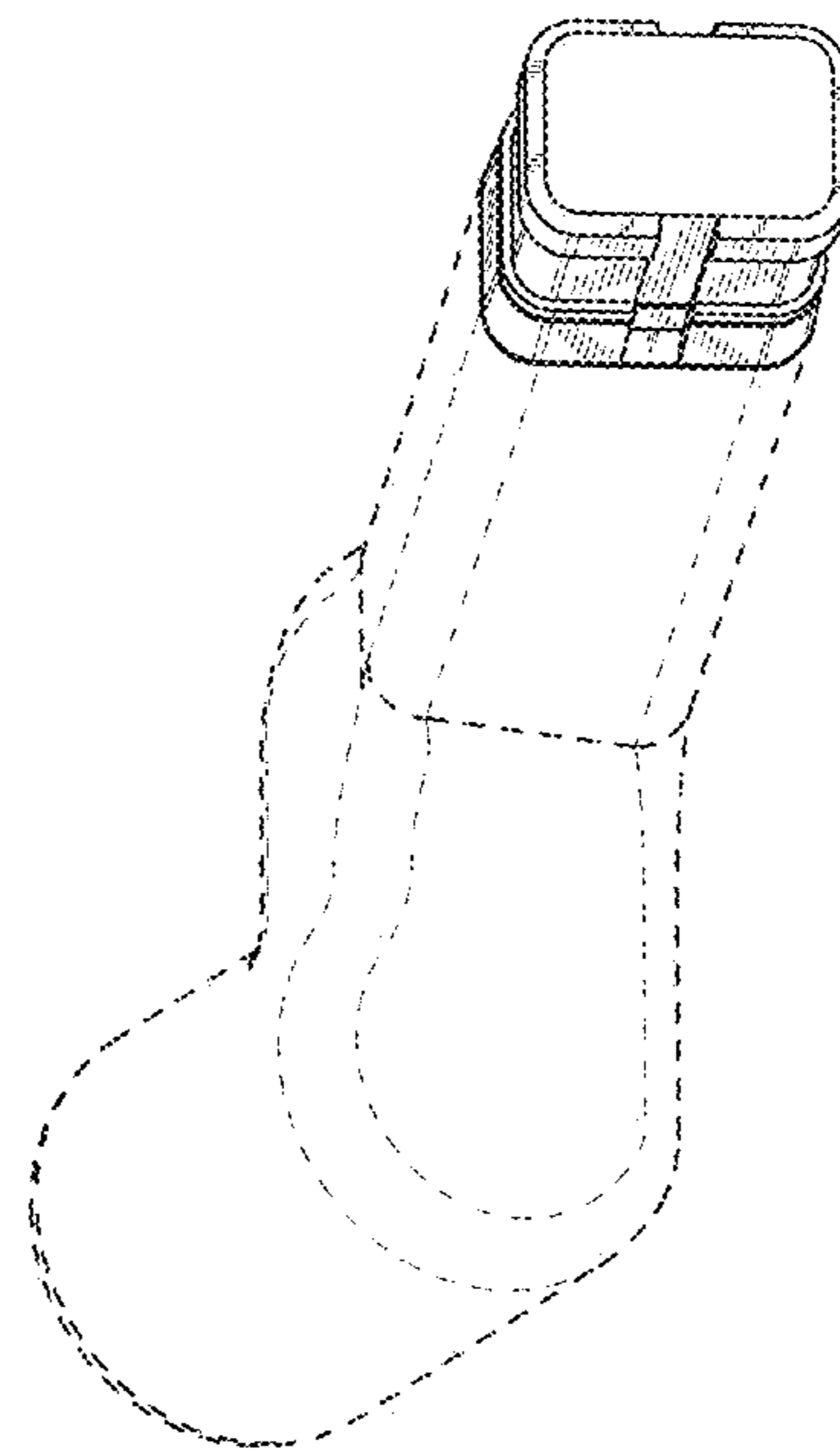


FIG. 2

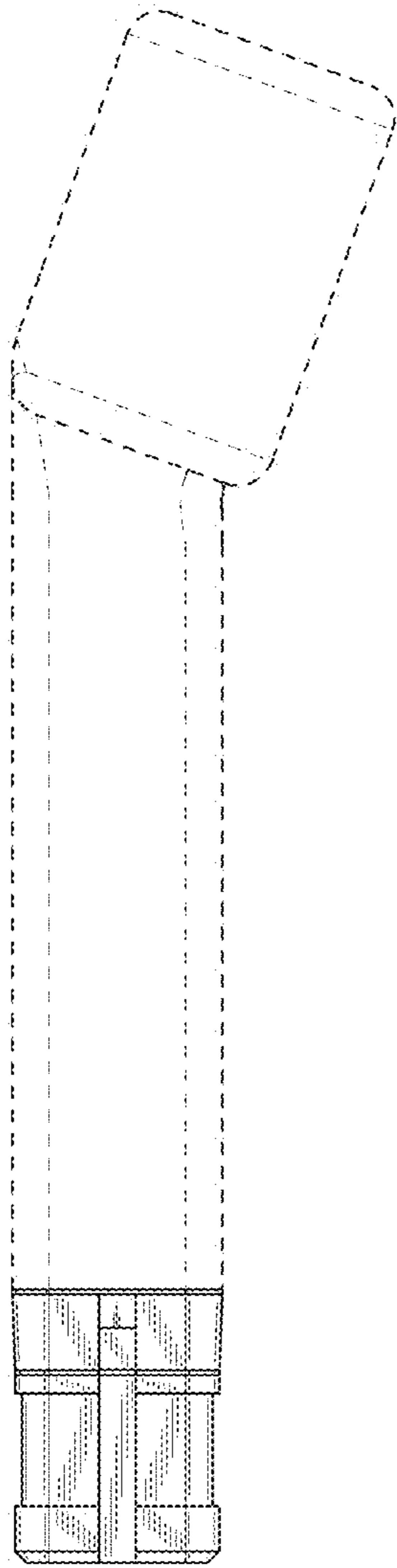


FIG. 3

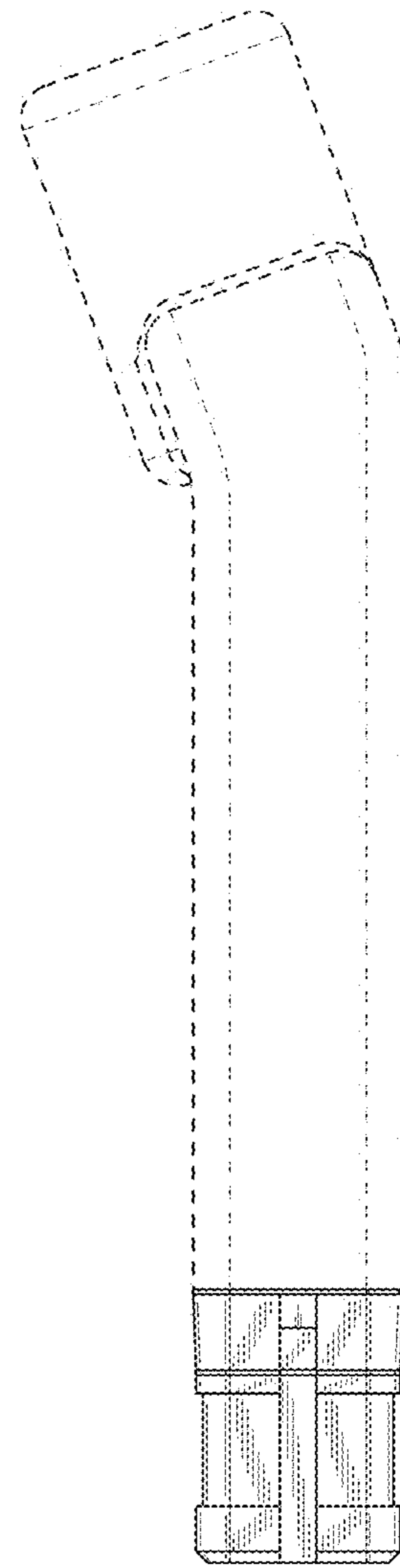


FIG. 4

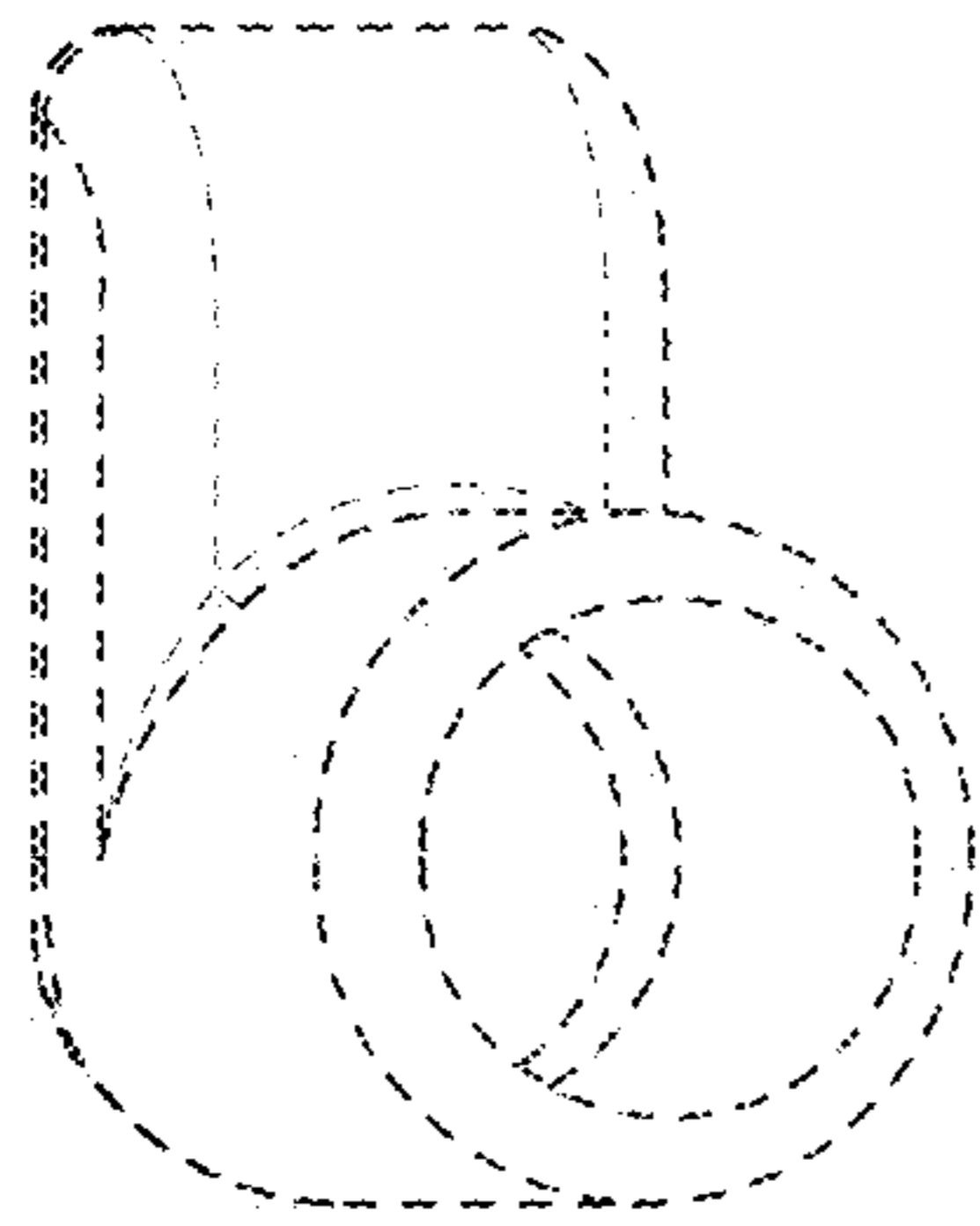


FIG. 5

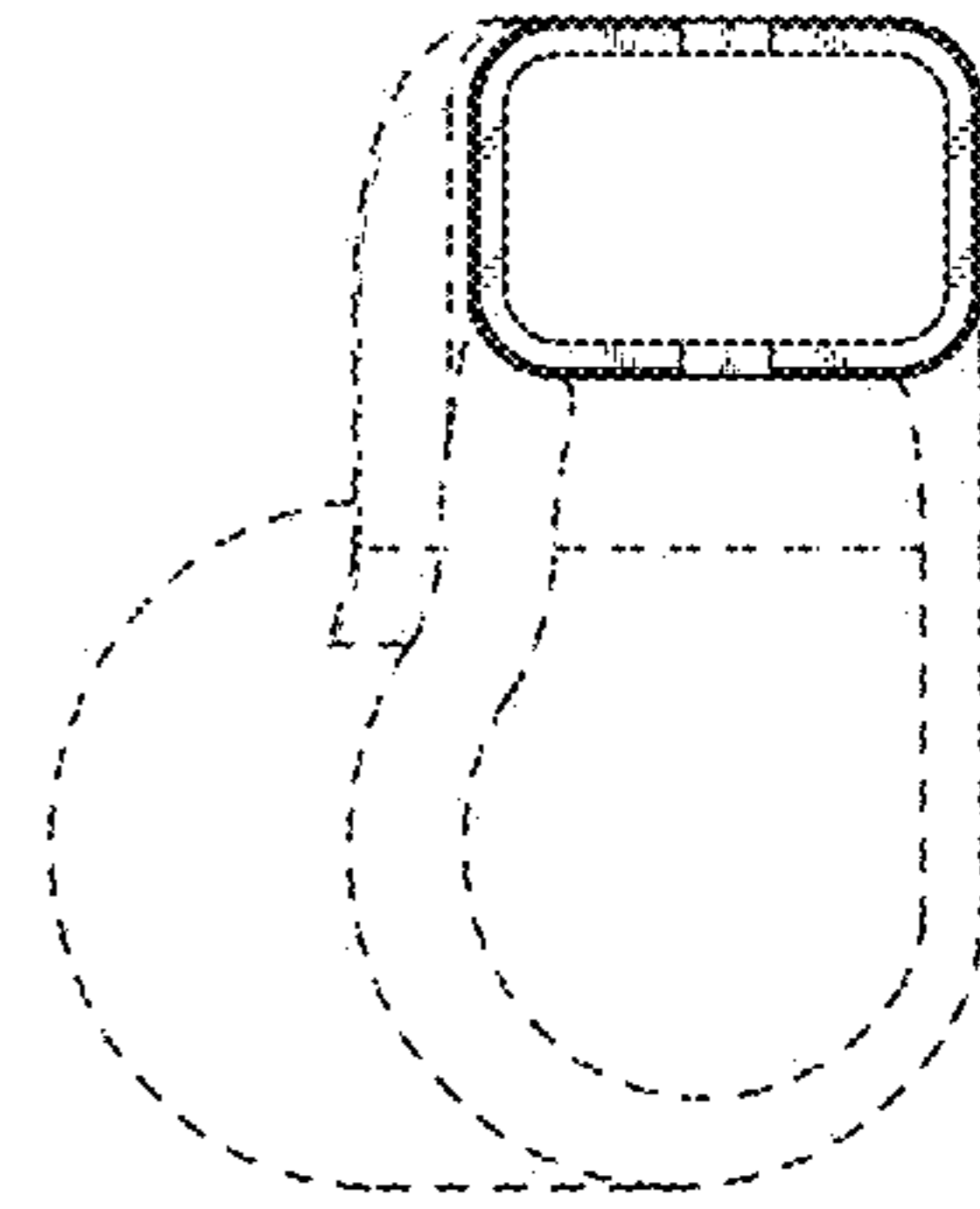


FIG. 6

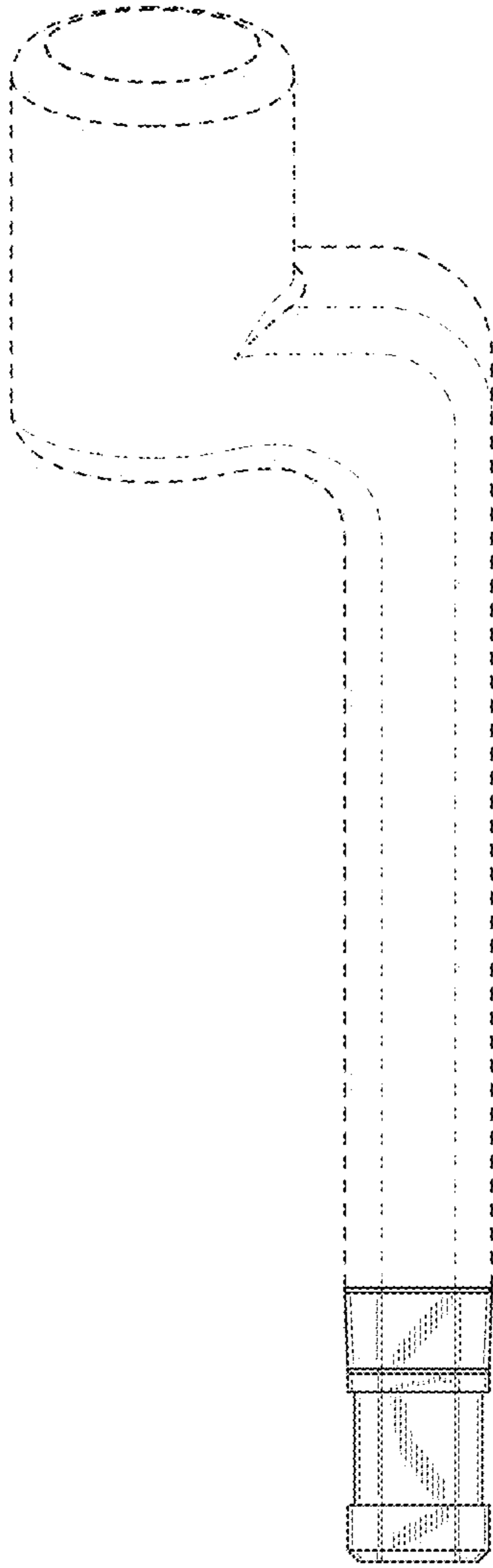


FIG. 7



FIG. 8