



US00D939649S

(12) **United States Design Patent**
Dandachli

(10) **Patent No.:** **US D939,649 S**

(45) **Date of Patent:** **** Dec. 28, 2021**

(54) **DEVICE HOLDER**

(71) Applicant: **MIGHTY PELICAN**, Austin, TX (US)

(72) Inventor: **Youssef Dandachli**, Austin, TX (US)

(73) Assignee: **Boostnatics, LLC**, Austin, TX (US)

(**) Term: **15 Years**

(21) Appl. No.: **29/746,864**

(22) Filed: **Aug. 18, 2020**

(51) **LOC (13) Cl.** **21-02**

(52) **U.S. Cl.**

USPC **D21/694**; D6/552

(58) **Field of Classification Search**

USPC D14/251–253, 224, 224.1, 432–434, 447,
D14/451, 452; D12/114, 415, 426.1, 223,
D12/406, 407; D3/218, 201, 317, 318;
D21/663–667, 694, 697, 686; D6/552,
D6/553, 567, 572

CPC A63B 71/0036; A63B 2225/68; A63B
2225/682; A63B 2225/685; A63B
2225/687

See application file for complete search history.

(56) **References Cited**

U.S. PATENT DOCUMENTS

D229,944 S *	1/1974	Eddy	D14/253
D247,534 S *	3/1978	Alexandre	D6/552
D320,992 S *	10/1991	Jondelius	D14/253
D328,302 S *	7/1992	Murzanski	D14/253
D402,468 S *	12/1998	Killins	D3/315
D453,542 S *	2/2002	Louiso	D21/686
D464,836 S *	10/2002	Barrera	D6/552
D598,689 S *	8/2009	McDonald	D6/552
D609,080 S *	2/2010	Schorn	D6/552
D622,992 S *	9/2010	Dodd	D6/552
D686,609 S *	7/2013	Kadivar	D14/253
D721,518 S *	1/2015	Cohen	D6/552
D765,393 S *	9/2016	Kim	D3/218
D806,187 S *	12/2017	East	D21/686

D842,948 S *	3/2019	Sandoval	D21/694
D846,668 S *	4/2019	Sandoval	D21/697
D854,638 S *	7/2019	Sandoval	D21/697
D875,855 S *	2/2020	Sandoval	D21/691
D907,725 S *	1/2021	Adams	D21/694
D909,363 S *	2/2021	Khalaf	D14/253

(Continued)

OTHER PUBLICATIONS

Nth Fit Shoe Hook Hanger Compatible with Peloton Bike [online].
Date first listed on Amazon Mar. 31, 2021. [Retrieved from the
Internet Nov. 3, 2021.] <URL: [https://www.amazon.com/Hanger-
Compatible-Peloton-Description-Product/dp/B091DTS4F5/](https://www.amazon.com/Hanger-Compatible-Peloton-Description-Product/dp/B091DTS4F5/)>.*

(Continued)

Primary Examiner — Rebekah A Caruso

(74) *Attorney, Agent, or Firm* — Pierson IP, PLLC

(57)

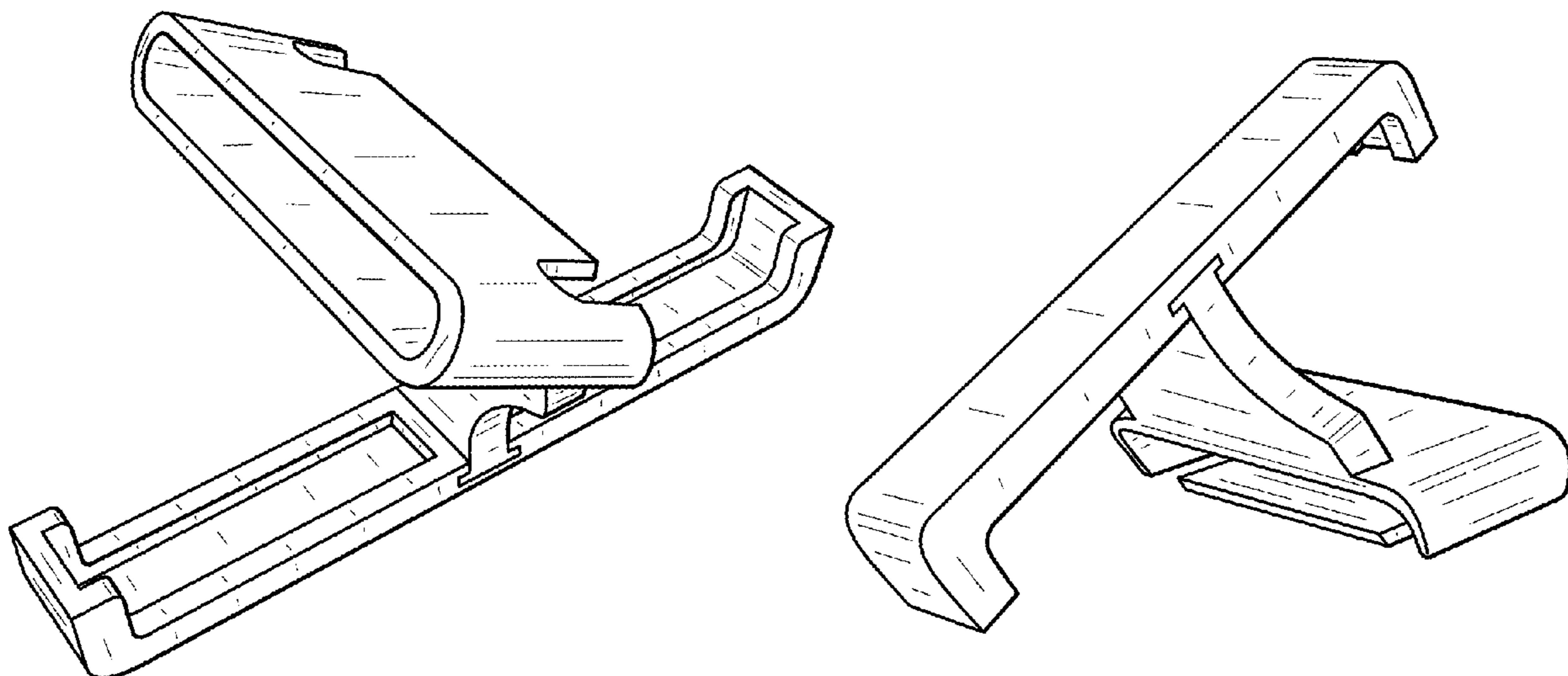
CLAIM

The ornamental design for a device holder, as shown and described.

DESCRIPTION

FIG. 1 is a first perspective view of a device holder for an exercise machine showing my new design;
FIG. 2 is a second perspective view of the device holder thereof;
FIG. 3 is a back view of the device holder thereof;
FIG. 4 is a front view of the device holder thereof;
FIG. 5 is a first side view of the device holder thereof;
FIG. 6 is a second side view of the device holder thereof;
FIG. 7 is a bottom view of the device holder thereof;
FIG. 8 is a top view of the device holder thereof; and,
FIG. 9 is a third perspective view of the device holder positioned on an exercise machine.
Elements shown in broken lines show environmental structures of an exercise machine and form no part of the claimed design.

1 Claim, 5 Drawing Sheets



(56)

References Cited

U.S. PATENT DOCUMENTS

D911,465 S * 2/2021 Aubry D21/694
 D915,064 S * 4/2021 Cardentey D3/218
 D915,533 S * 4/2021 Adams D21/694
 2011/0278885 A1* 11/2011 Procter B60R 11/0252
 297/135
 2019/0246790 A1* 8/2019 Horn A47B 83/001

OTHER PUBLICATIONS

Nth Fit Bike Shoe, Towel & Accessories Hook Hanger Compatible with Echelon EX-1, EX-3, EX-5, EX-7 [online]. Date first listed on Amazon Feb. 3, 2021. [Retrieved from the Internet Nov. 3, 2021.] <URL: <https://www.amazon.com/Nth-Fit-Accessories-Compatible-Echelon/dp/B08VRCBHK5/> >.*

Nth Fit Bike Shoe, Towel & Accessories Hook Hanger Compatible with NordicTrack S15i & S22i—Front [online]. Date first listed on Amazon Sep. 23, 2020. [Retrieved from the Internet Nov. 3, 2021.] <URL: <https://www.amazon.com/Nth-Fit-Accessories-Compatible-NordicTrack/dp/B08N4D8DDM/> >.*

Nth Fit Bike Shoe, Towel & Accessories Hook Hanger Compatible with NordicTrack S15i & S22i—Rear [online]. Date first listed on Amazon Sep. 23, 2020. [Retrieved from the Internet Nov. 3, 2021.] <URL: <https://www.amazon.com/Nth-Fit-Accessories-Compatible-NordicTrack/dp/B08N4JZJRY?th=1> >.*

* cited by examiner

FIG. 1

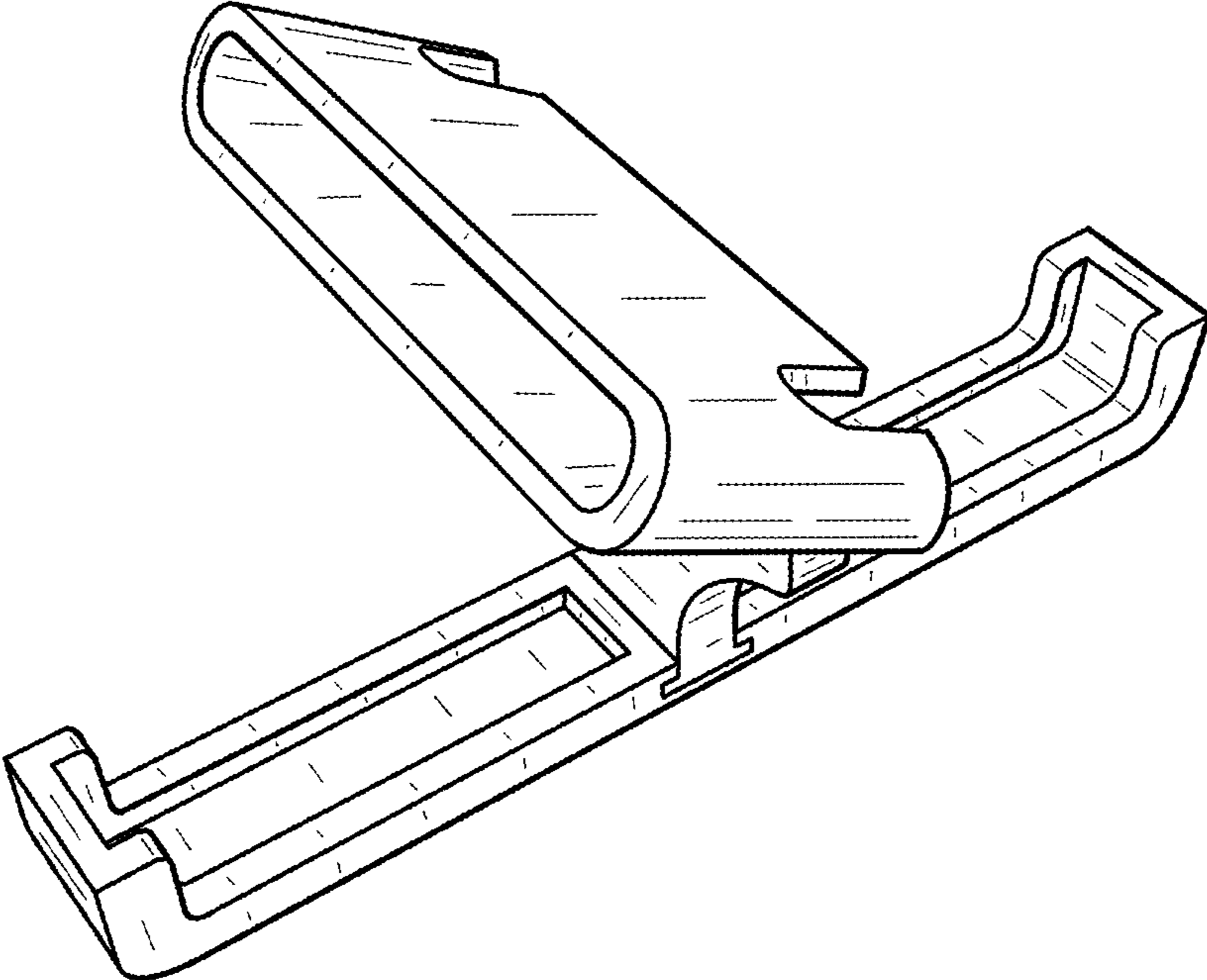


FIG. 2

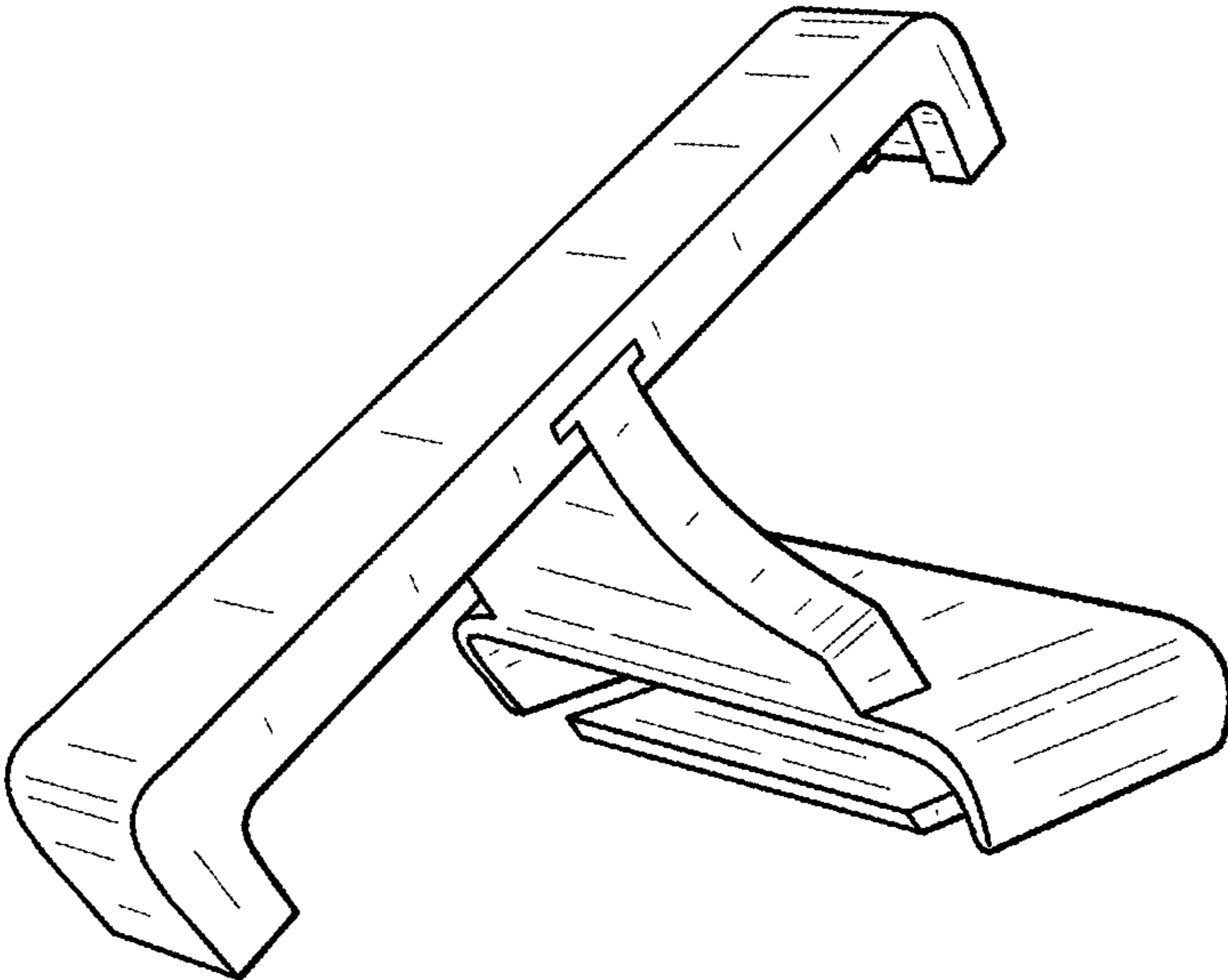


FIG. 3

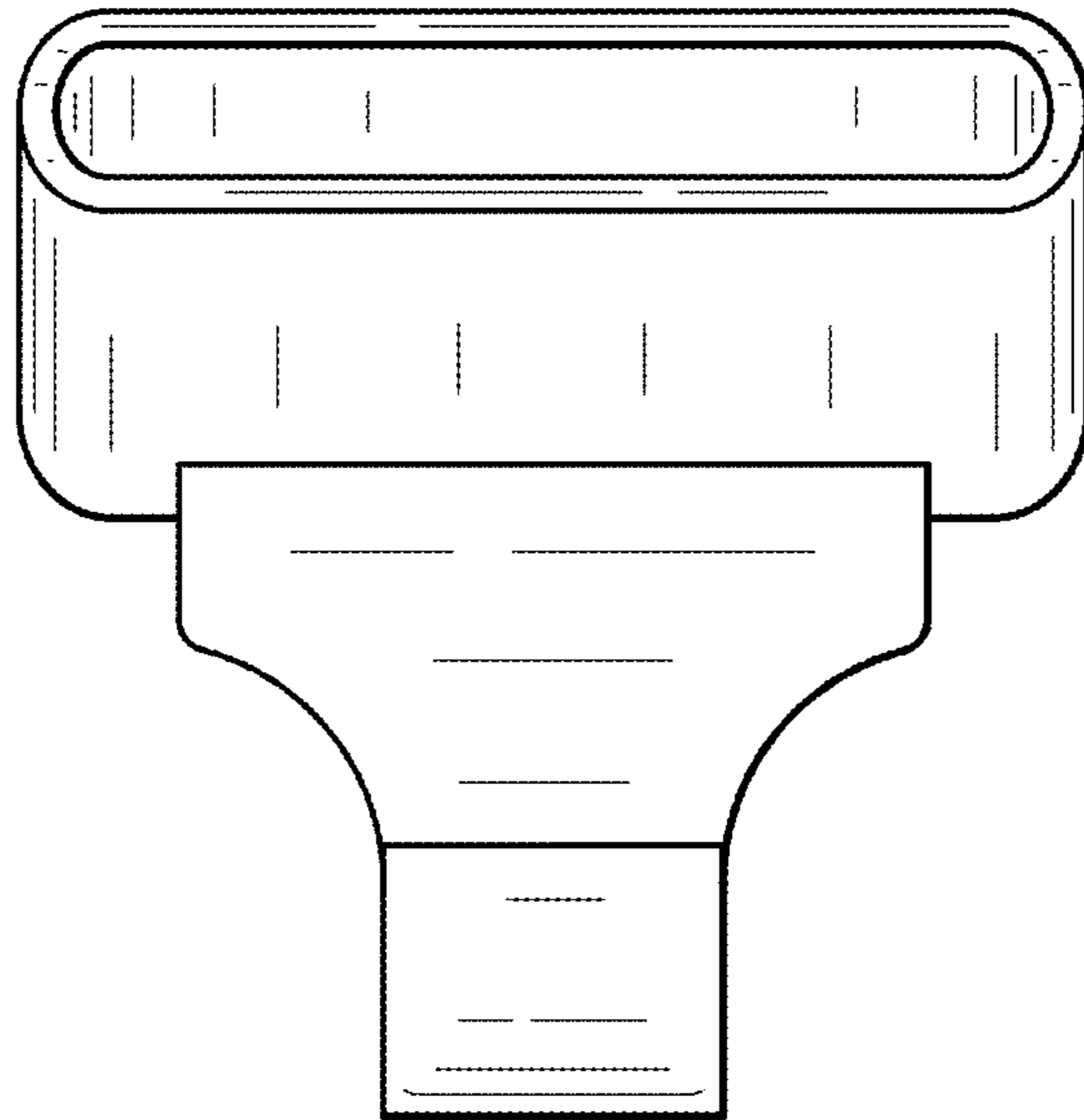


FIG. 4

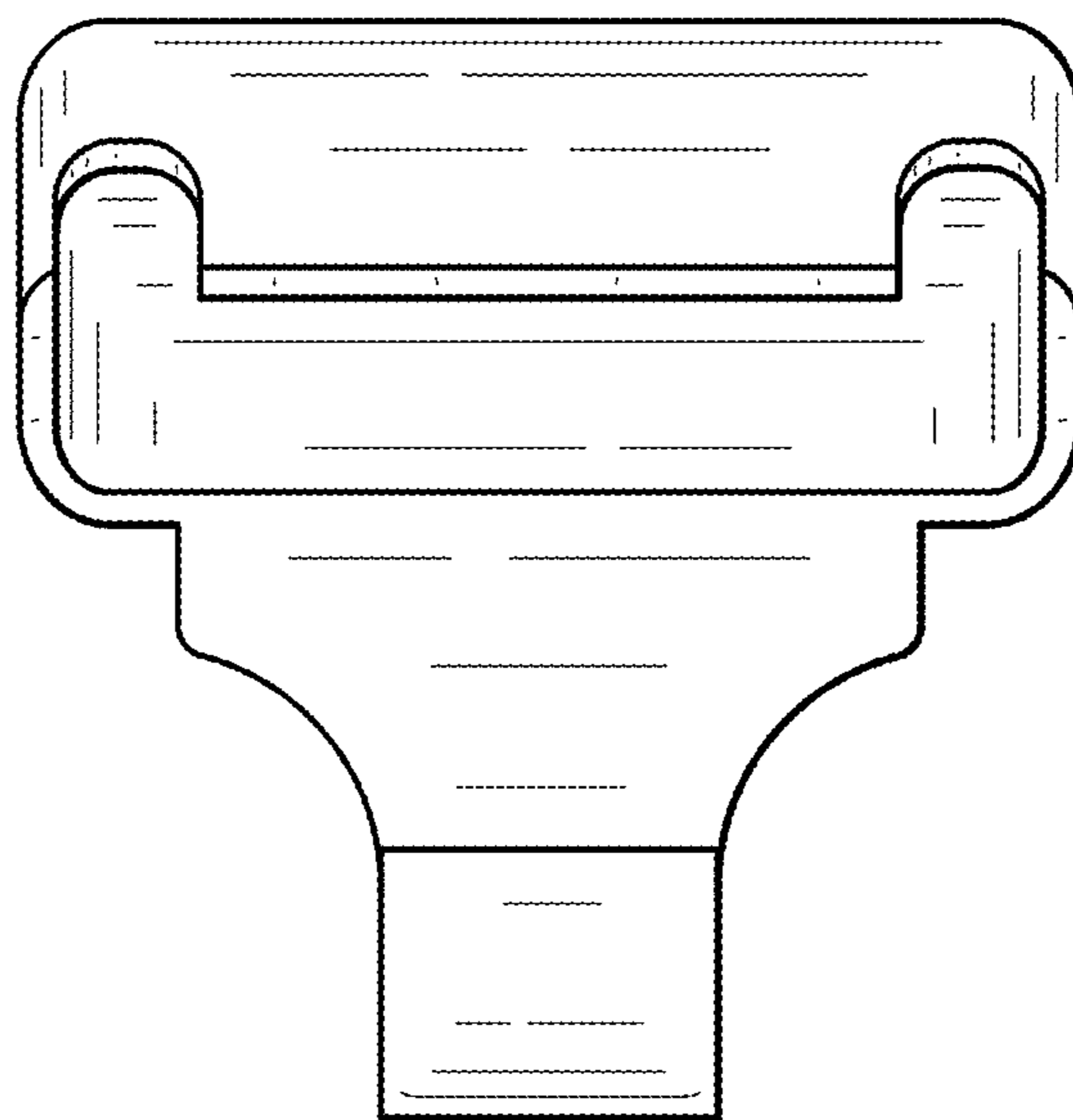


FIG. 5

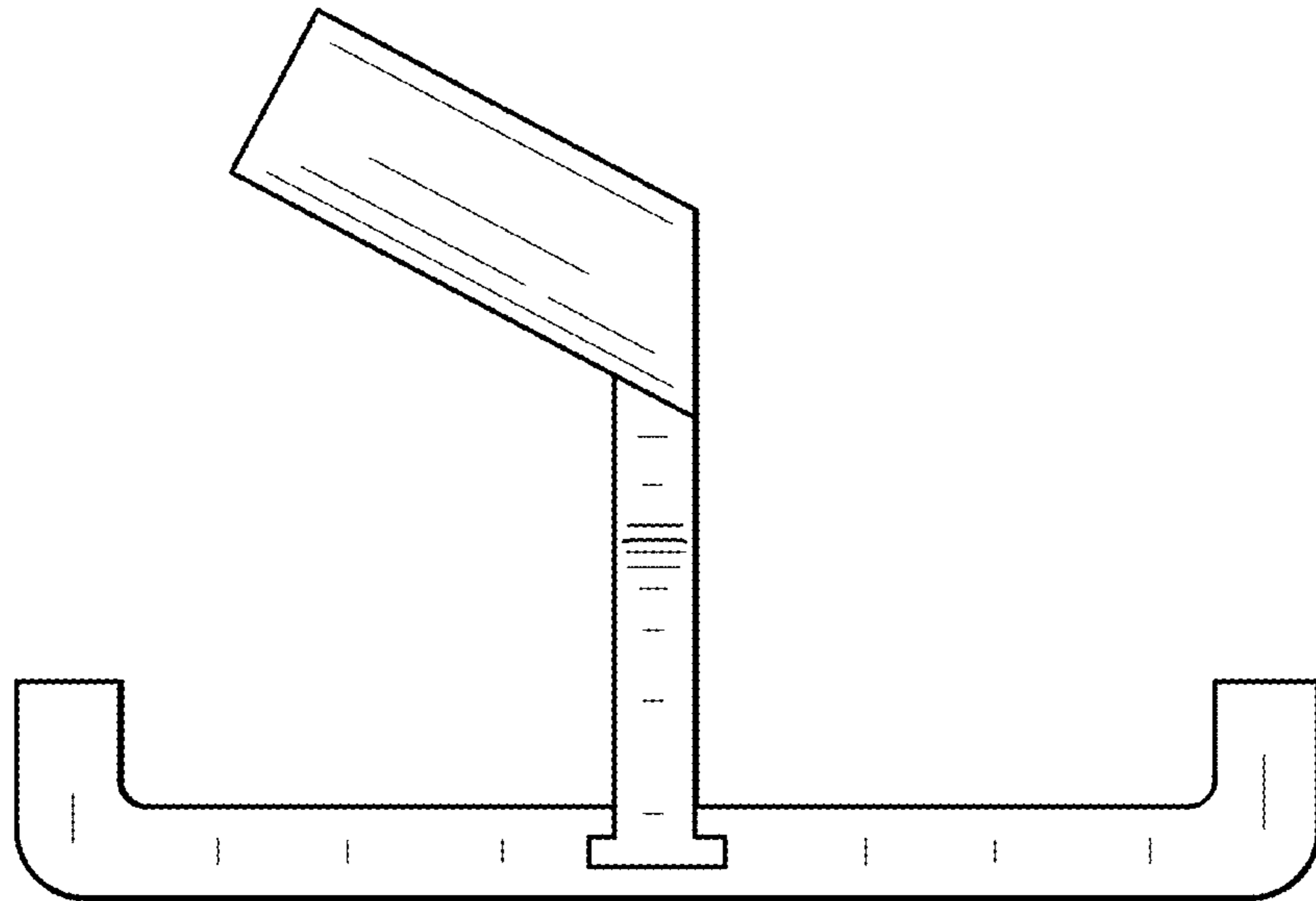


FIG. 6

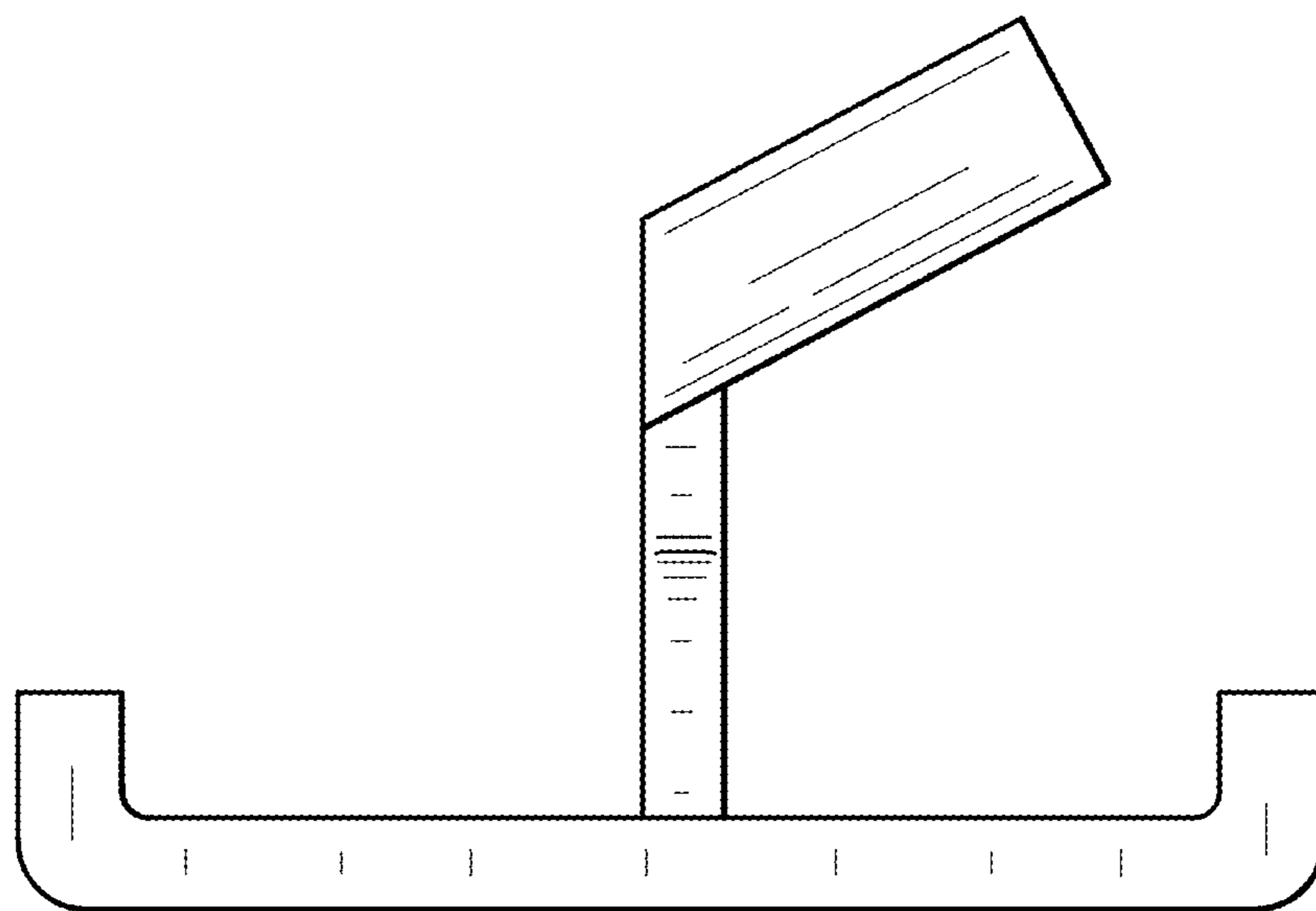


FIG. 7

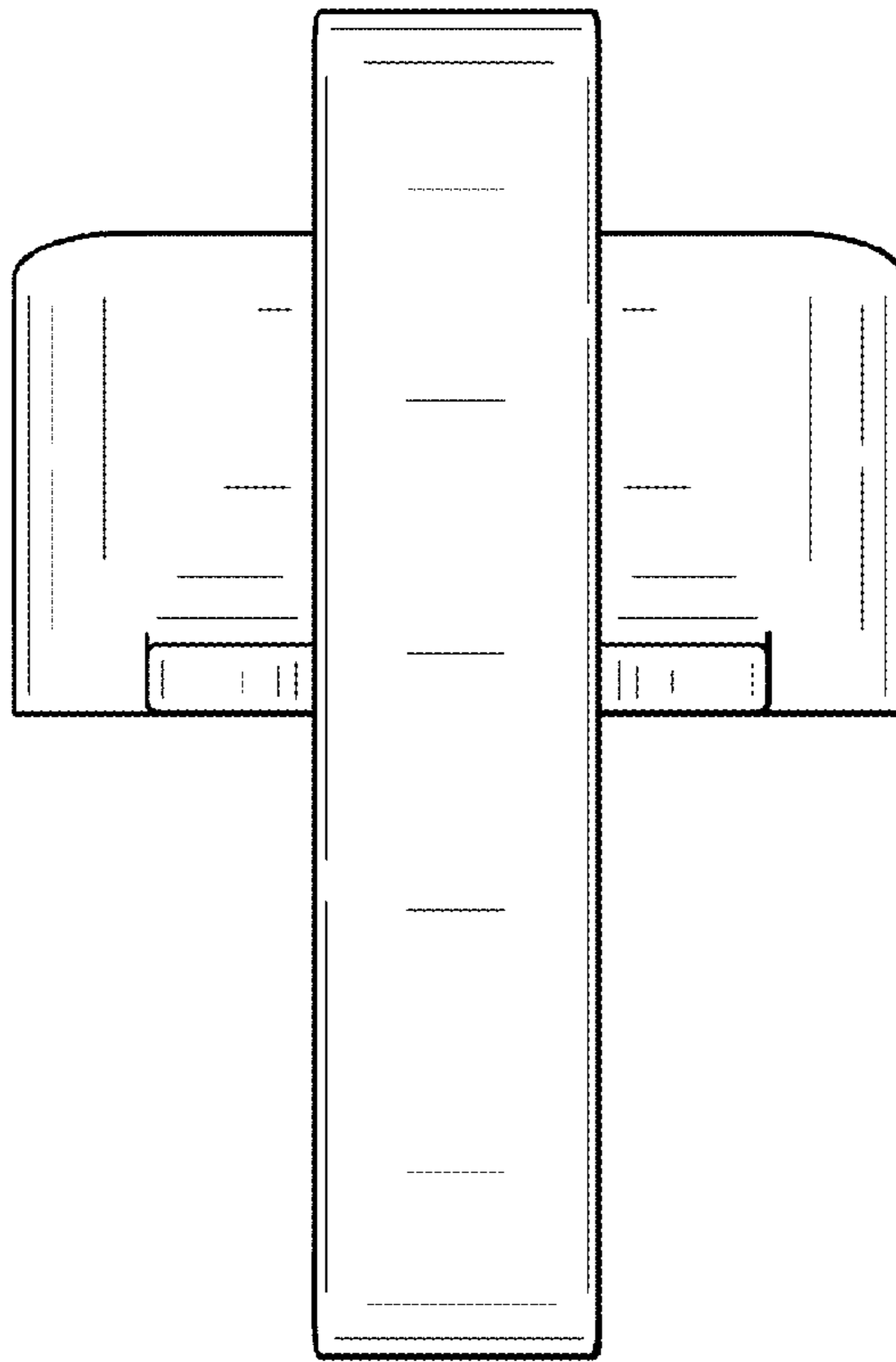


FIG. 8

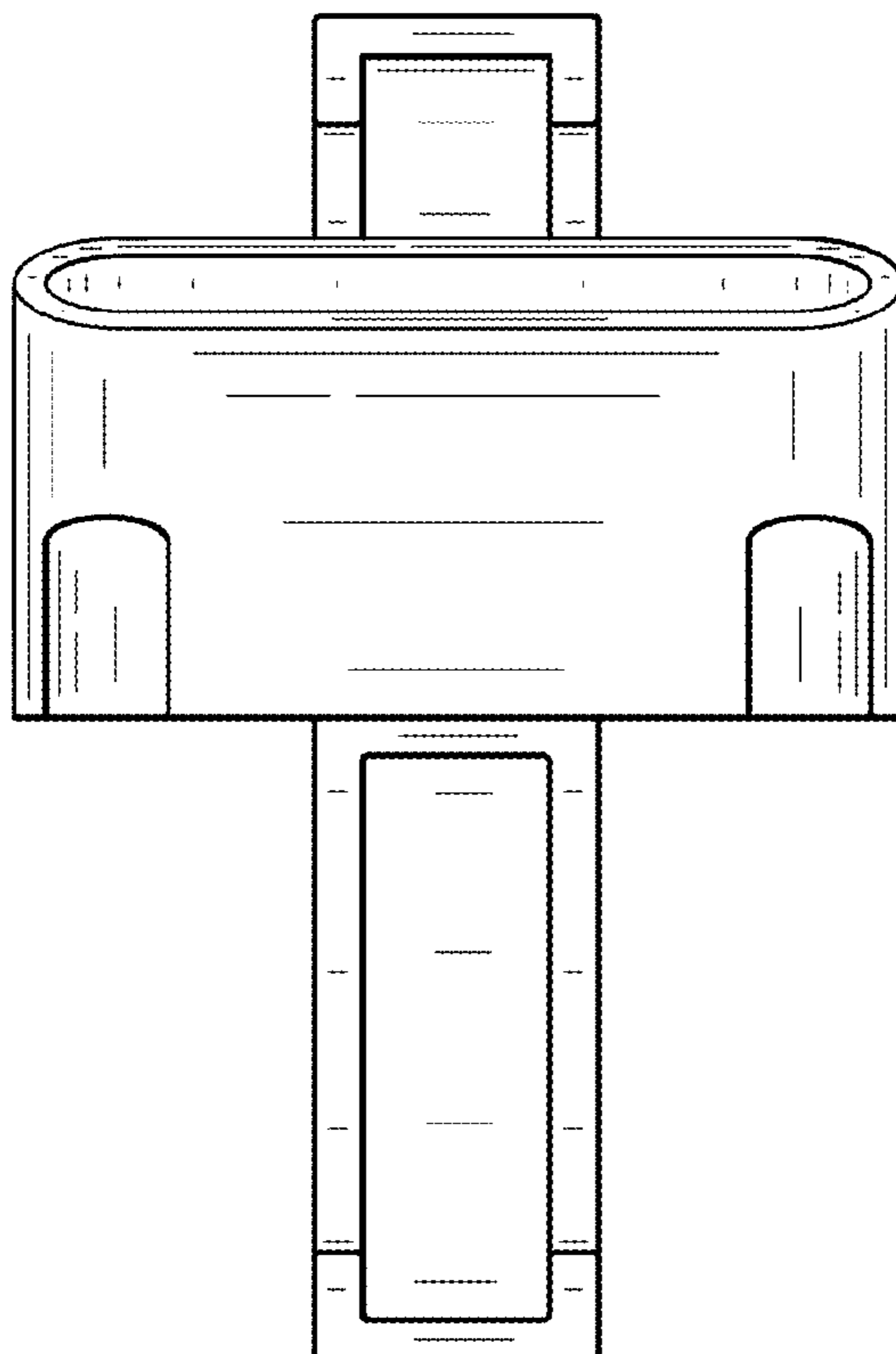


FIG. 9

