



US00D939647S

(12) **United States Design Patent**  
**Huang**

(10) **Patent No.:** **US D939,647 S**

(45) **Date of Patent:** **\*\* Dec. 28, 2021**

(54) **EXERCISE SQUAT RACK**

(71) Applicant: **Yongkang Hongdu Industry and Trade Co., Ltd.**, Jinhua (CN)

(72) Inventor: **Bindi Huang**, Yueqing (CN)

(\*\*) Term: **15 Years**

(21) Appl. No.: **29/730,045**

(22) Filed: **Apr. 1, 2020**

(51) **LOC (13) Cl.** ..... **21-02**

(52) **U.S. Cl.**  
USPC ..... **D21/686**

(58) **Field of Classification Search**  
USPC ..... D21/690, 691, 694, 686, 662, 665, 676,  
D21/679, 687, 692, 682, 673, 798, 826,  
D21/681, 680, 688, 663, 674; D25/62,  
D25/66, 68, 119, 126, 136, 134, 133, 144,  
D25/156, 159, 148, 109

See application file for complete search history.

(56) **References Cited**

**U.S. PATENT DOCUMENTS**

D381,715 S *	7/1997	Reeder .....	D21/691
D495,381 S *	8/2004	Ceppo .....	D21/686
D623,245 S *	9/2010	Evans .....	D21/686
D671,997 S *	12/2012	Lien .....	D21/686
D755,909 S *	5/2016	James .....	D21/686
D807,447 S *	1/2018	Meredith .....	D21/691
D875,266 S *	2/2020	Qiu .....	D24/213
2005/0009671 A1 *	1/2005	Hummer, Jr. ....	A63B 71/0036 482/94
2015/0087485 A1 *	3/2015	Kimura .....	A63B 71/0036 482/104
2020/0086165 A1 *	3/2020	Valdez .....	A63B 21/159
2020/0306582 A1 *	10/2020	Berg .....	A63B 21/0605

**OTHER PUBLICATIONS**

Uboway, announced 2019[online], [site visited Sep. 16, 2021]. Available on internet, URL:https://www.amazon.com/UBOWAY-Barbell-Adjustable-Multi-Function-Lifting/dp/B07VNR82LQ/ref=sr\_1\_4?dchild=1&keywords=ADJUSTABLE+SQUAT+RACK+STAND&qid=1631808161&smid=A2A55SPC4YB6H9&sr=8-4 (Year: 2019).\*

Pexmore, announced 2019[online], [site visited Sep. 16, 2021]. Available on internet, URL:https://www.amazon.com/PEXMOR-Multi-Function-Barbell-Adjustable-Lifting/dp/B082PXHP11/ref=sr\_1\_18?dchild=1&keywords=ADJUSTABLE+SQUAT+RACK+STAND&qid=1631808161&sr=8-18 (Year: 2019).\*

\* cited by examiner

*Primary Examiner* — Khawaja Anwar

*Assistant Examiner* — Julice Seung Eun Oum

(57) **CLAIM**

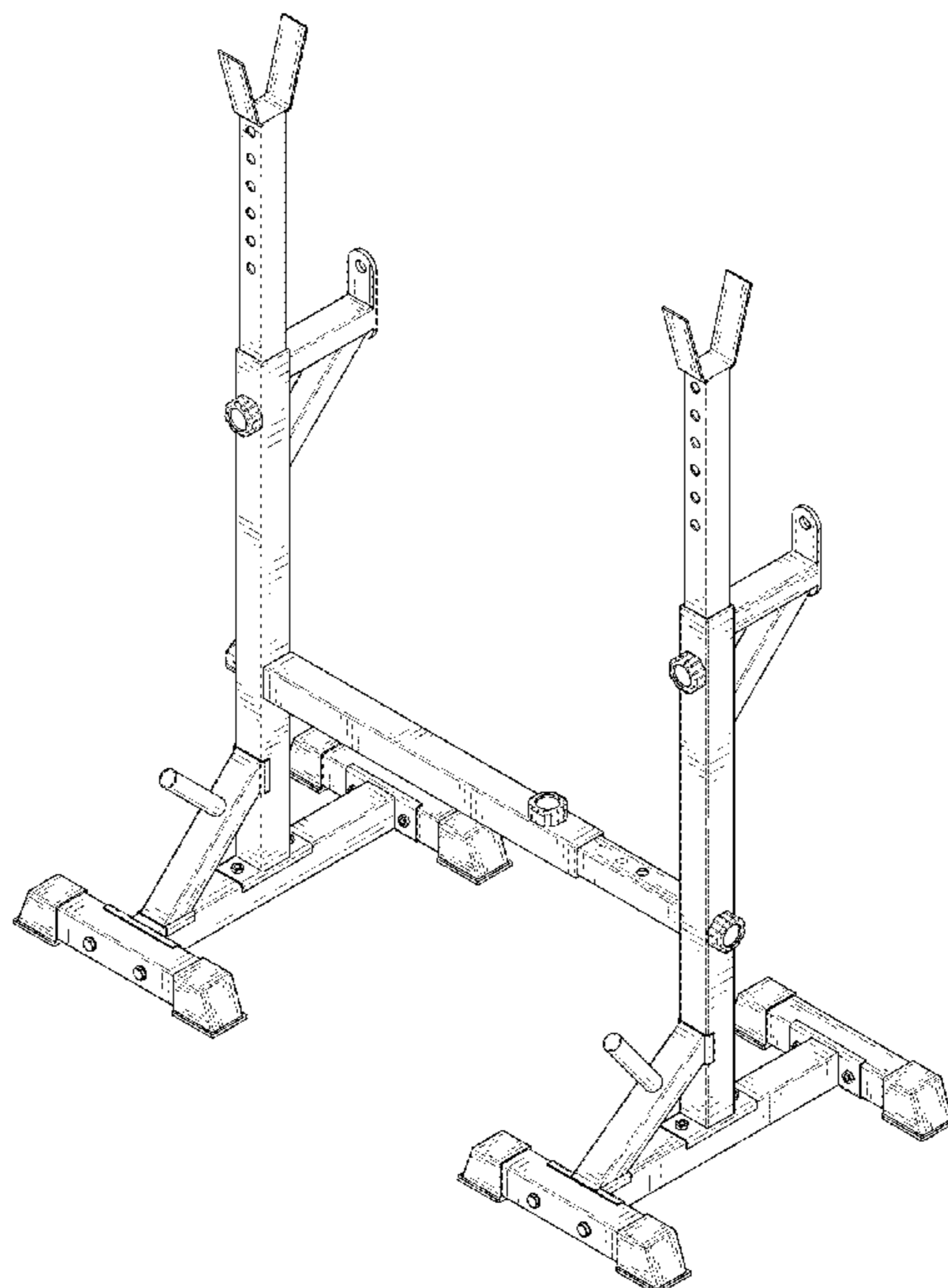
The ornamental design for an exercise squat rack, as shown and described.

**DESCRIPTION**

FIG. 1 is a front and top perspective view of an exercise squat rack, showing my new design; FIG. 2 is a rear and bottom perspective view thereof; FIG. 3 is a front elevational view thereof; FIG. 4 is a rear elevational view thereof; FIG. 5 is a left side elevational view thereof; FIG. 6 is a right side elevational view thereof; FIG. 7 is a top plan view thereof; and, FIG. 8 is a bottom plan view thereof.

The broken lines in the figures illustrate portions of the exercise squat rack that form no part of the claimed design.

**1 Claim, 8 Drawing Sheets**



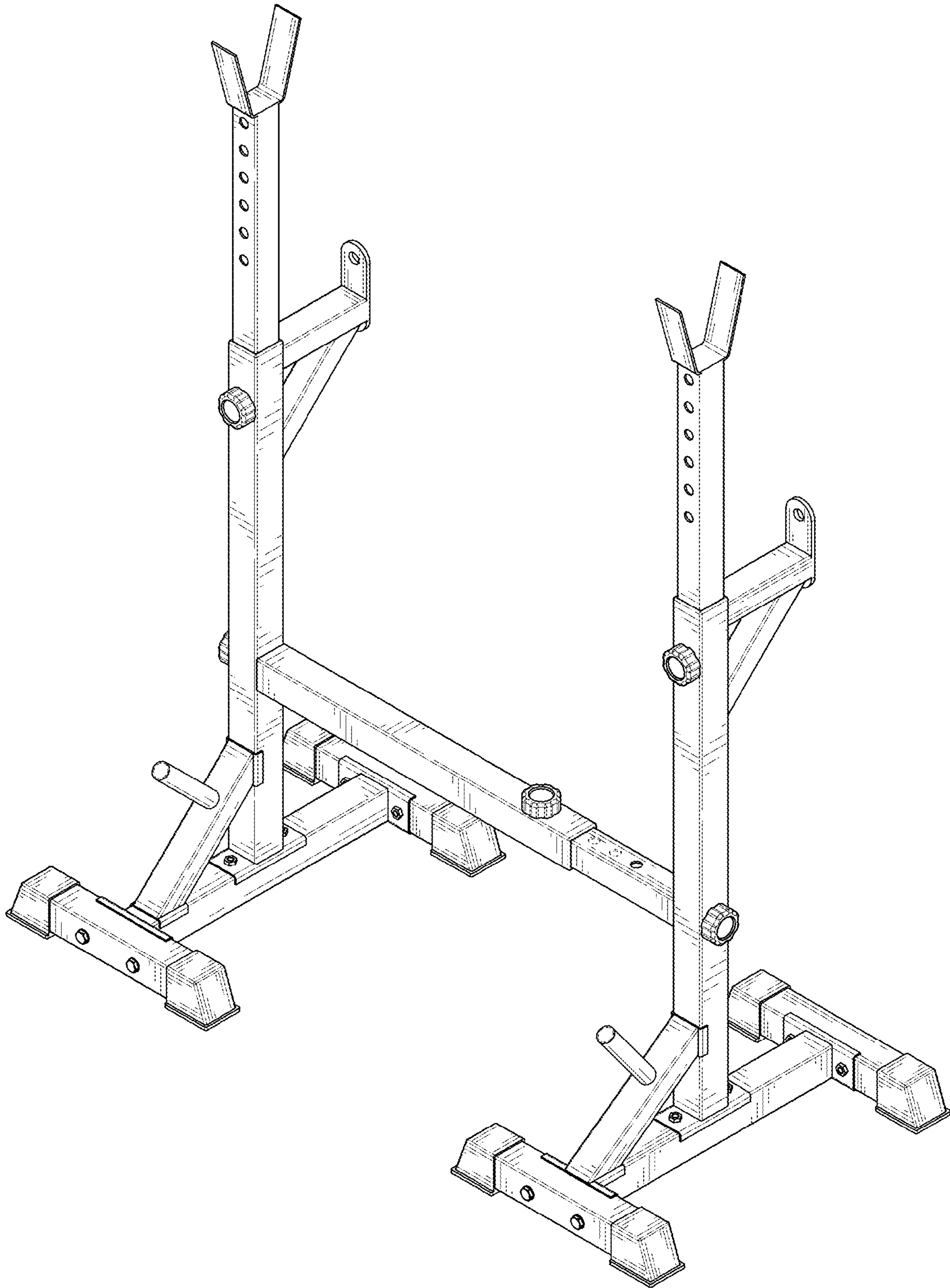


FIG. 1

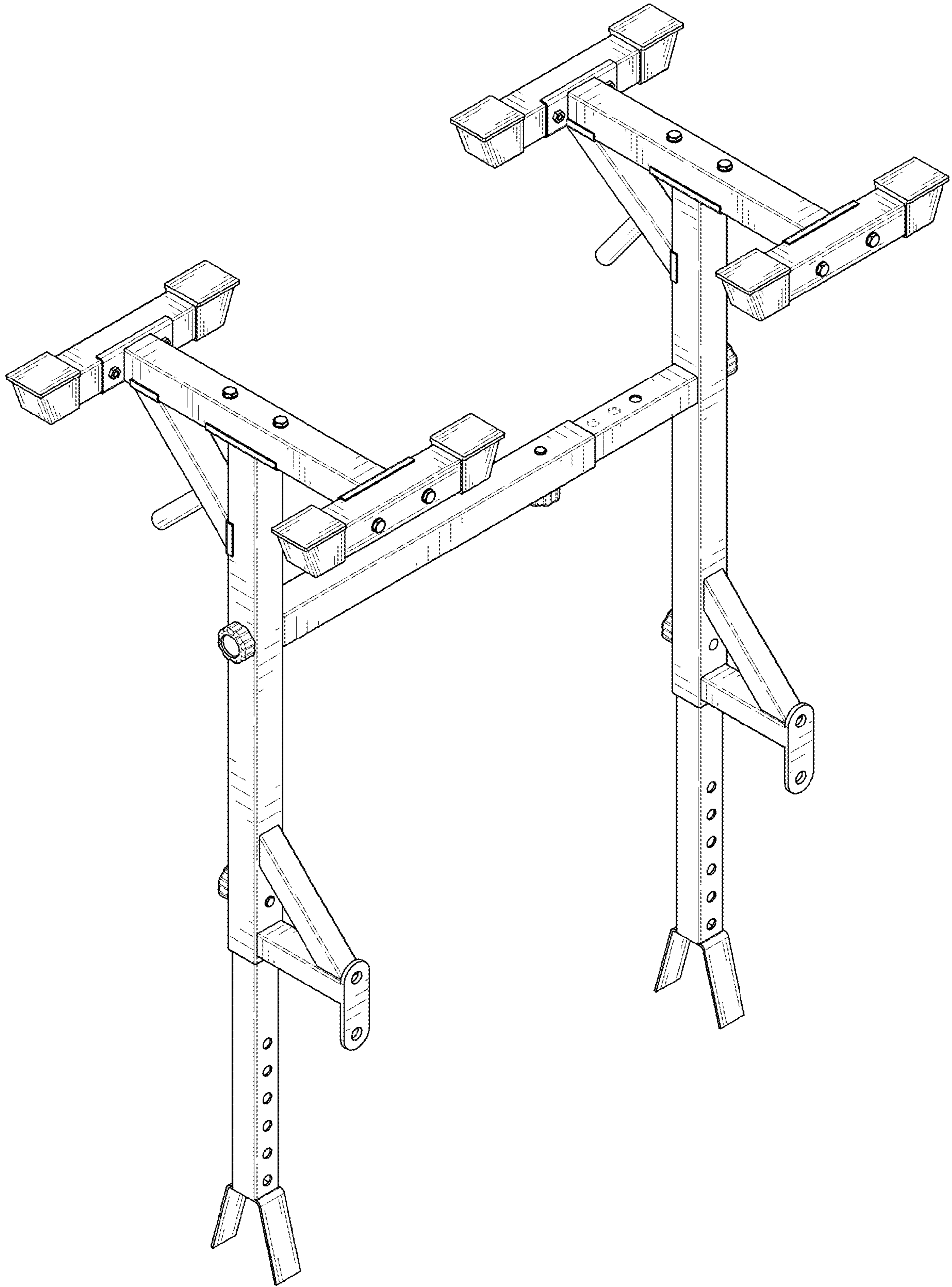


FIG. 2

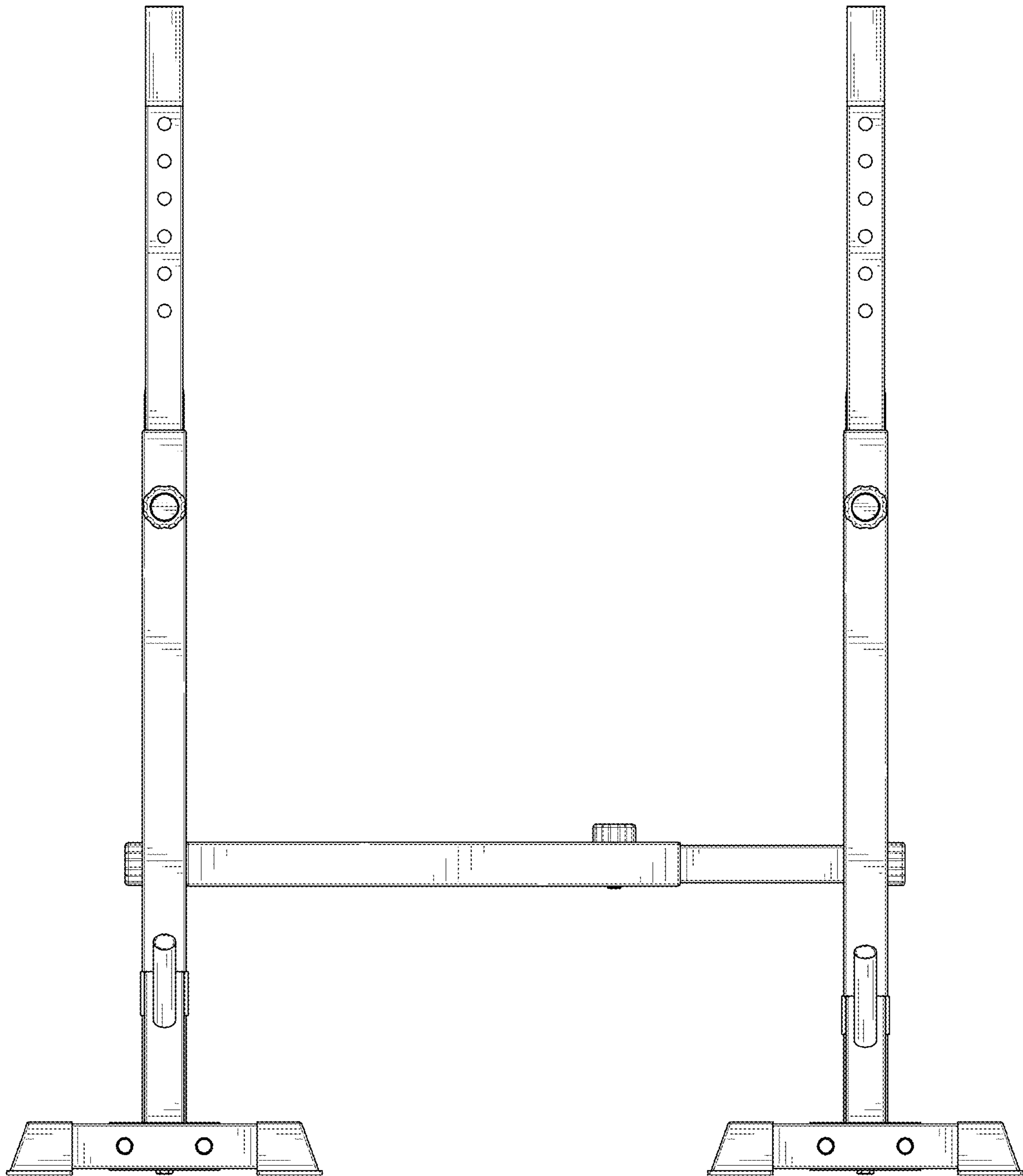


FIG. 3

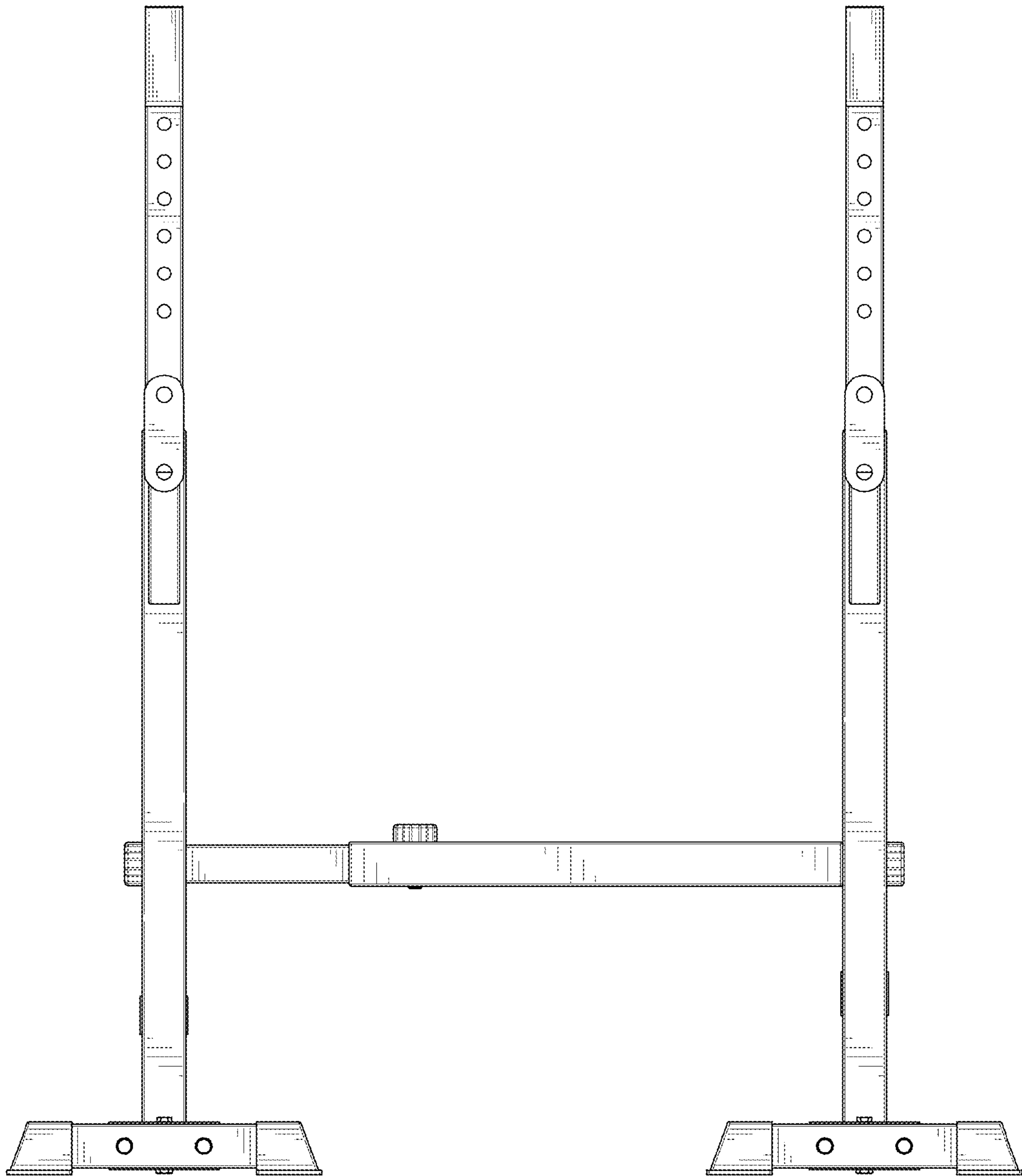


FIG. 4

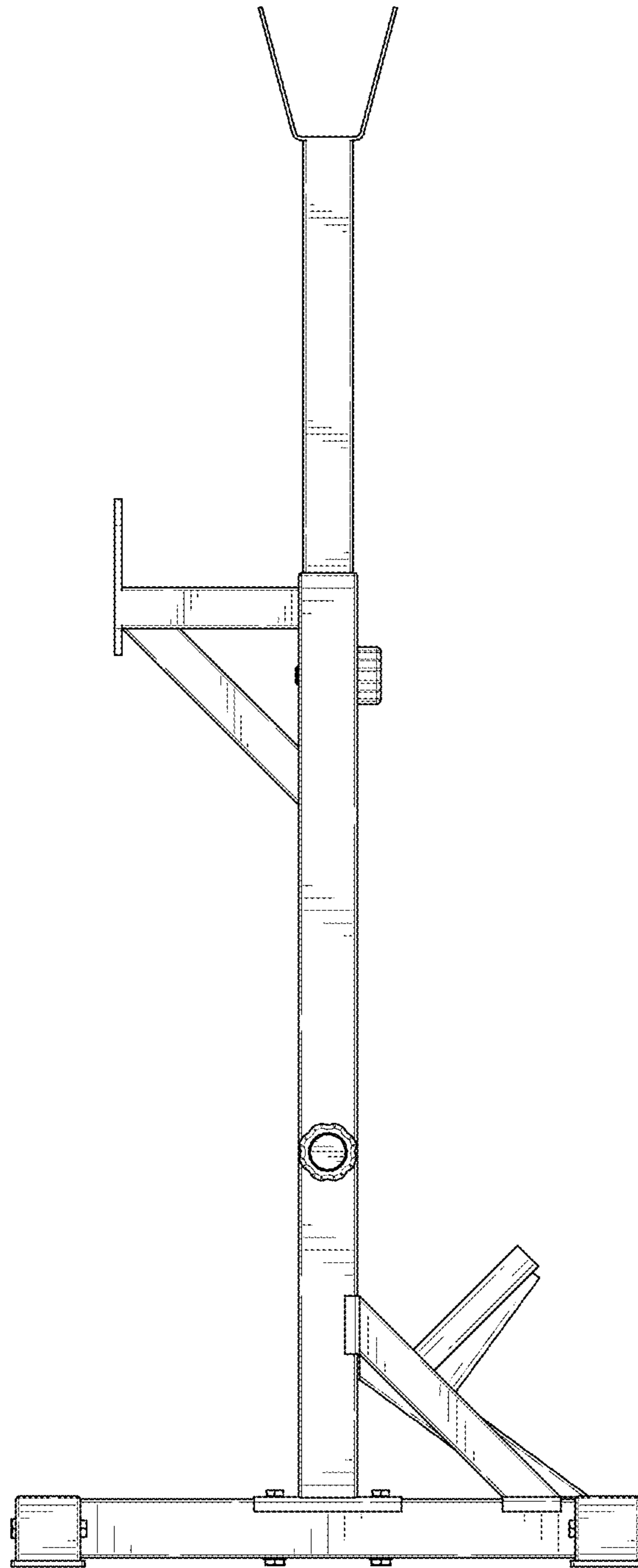


FIG. 5

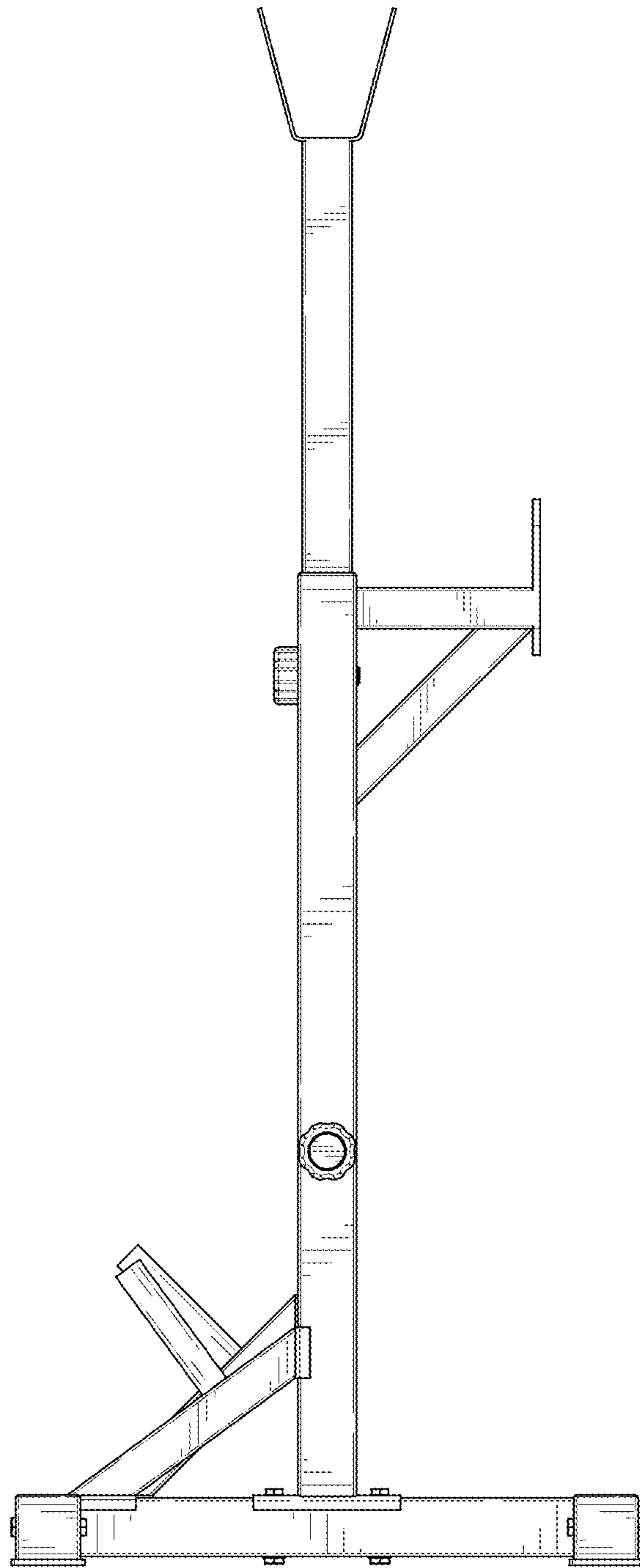


FIG. 6

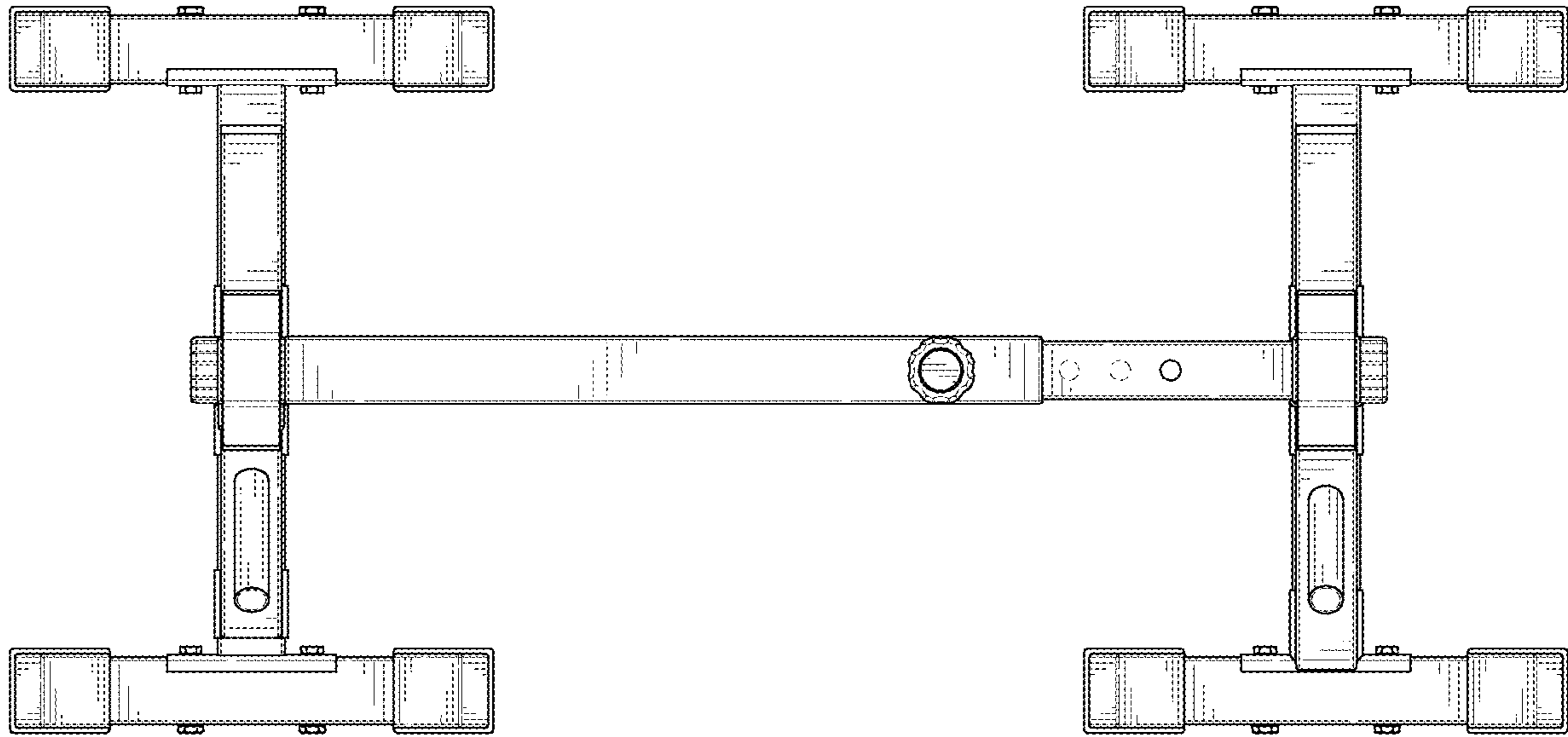


FIG. 7



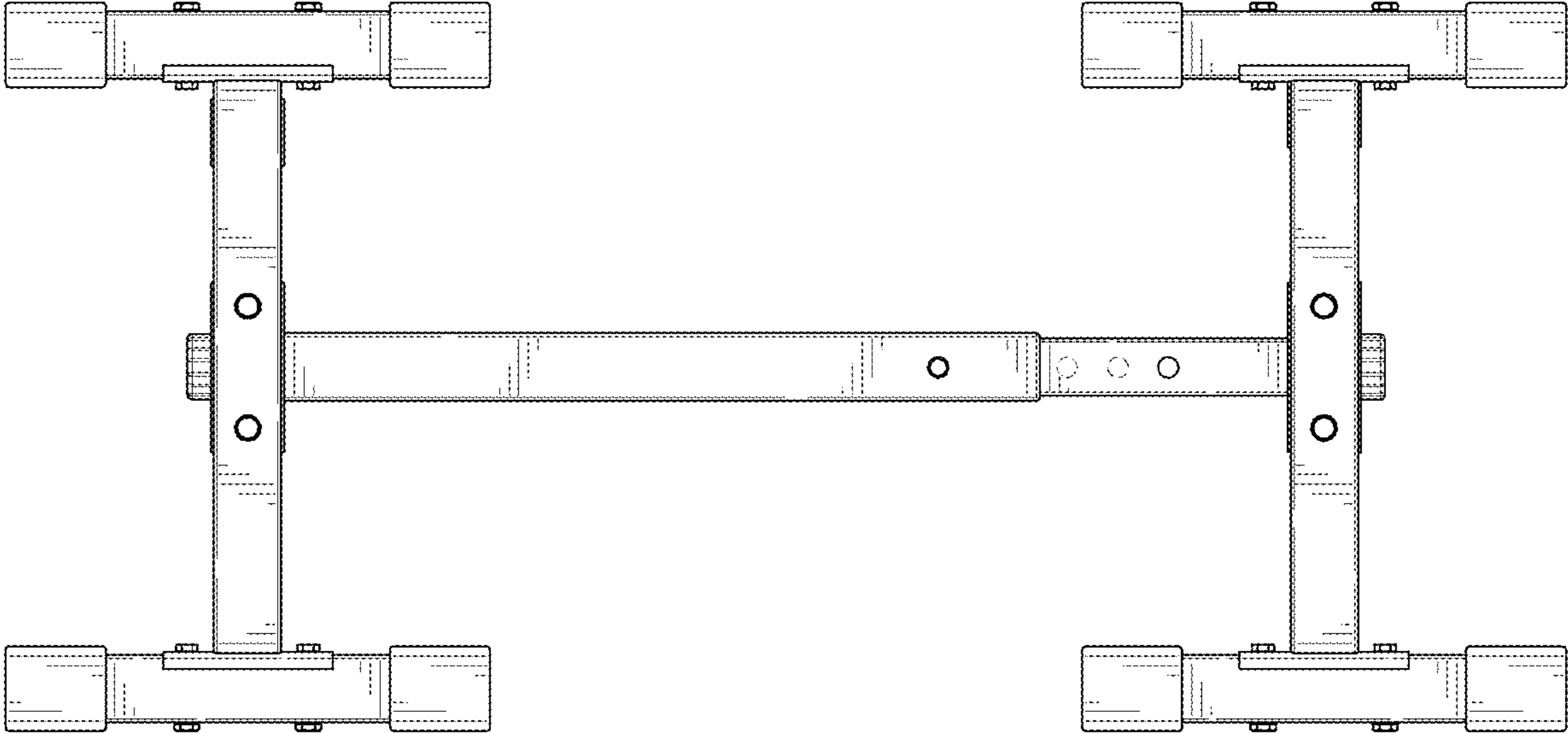


FIG. 8