



US00D939646S

(12) **United States Design Patent** (10) **Patent No.:** **US D939,646 S**  
**Summers** (45) **Date of Patent:** **\*\* Dec. 28, 2021**

(54) **HEAVY WEIGHT FOOT HOLD APPARATUS FOR SIT-UPS**

D653,714 S \* 2/2012 Meininger ..... D21/662  
8,919,222 B2 \* 12/2014 Scheiman ..... B62M 3/08  
74/562

(71) Applicant: **Suzanna Summers**, Waco, TX (US)

D920,450 S \* 5/2021 Summers ..... D21/685  
2020/0408622 A1 \* 12/2020 Wang ..... A61B 5/6829

(72) Inventor: **Suzanna Summers**, Waco, TX (US)

\* cited by examiner

(\*\*) Term: **15 Years**

*Primary Examiner* — Khawaja Anwar

(21) Appl. No.: **29/777,598**

*Assistant Examiner* — Julice Seung Eun Oum

(22) Filed: **Apr. 7, 2021**

(74) *Attorney, Agent, or Firm* — Kandace D. Walter

**Related U.S. Application Data**

(62) Division of application No. 29/716,269, filed on Dec. 9, 2019, now Pat. No. Des. 920,450.

(51) **LOC (13) Cl.** ..... **21-02**

(52) **U.S. Cl.**  
USPC ..... **D21/685**

(58) **Field of Classification Search**  
USPC ..... D21/662, 681, 682, 685, 686, 694, 680,  
D21/684, 679, 678  
See application file for complete search history.

(57) **CLAIM**

The ornamental design for a heavy weight foot hold apparatus for sit-ups, as shown and described.

**DESCRIPTION**

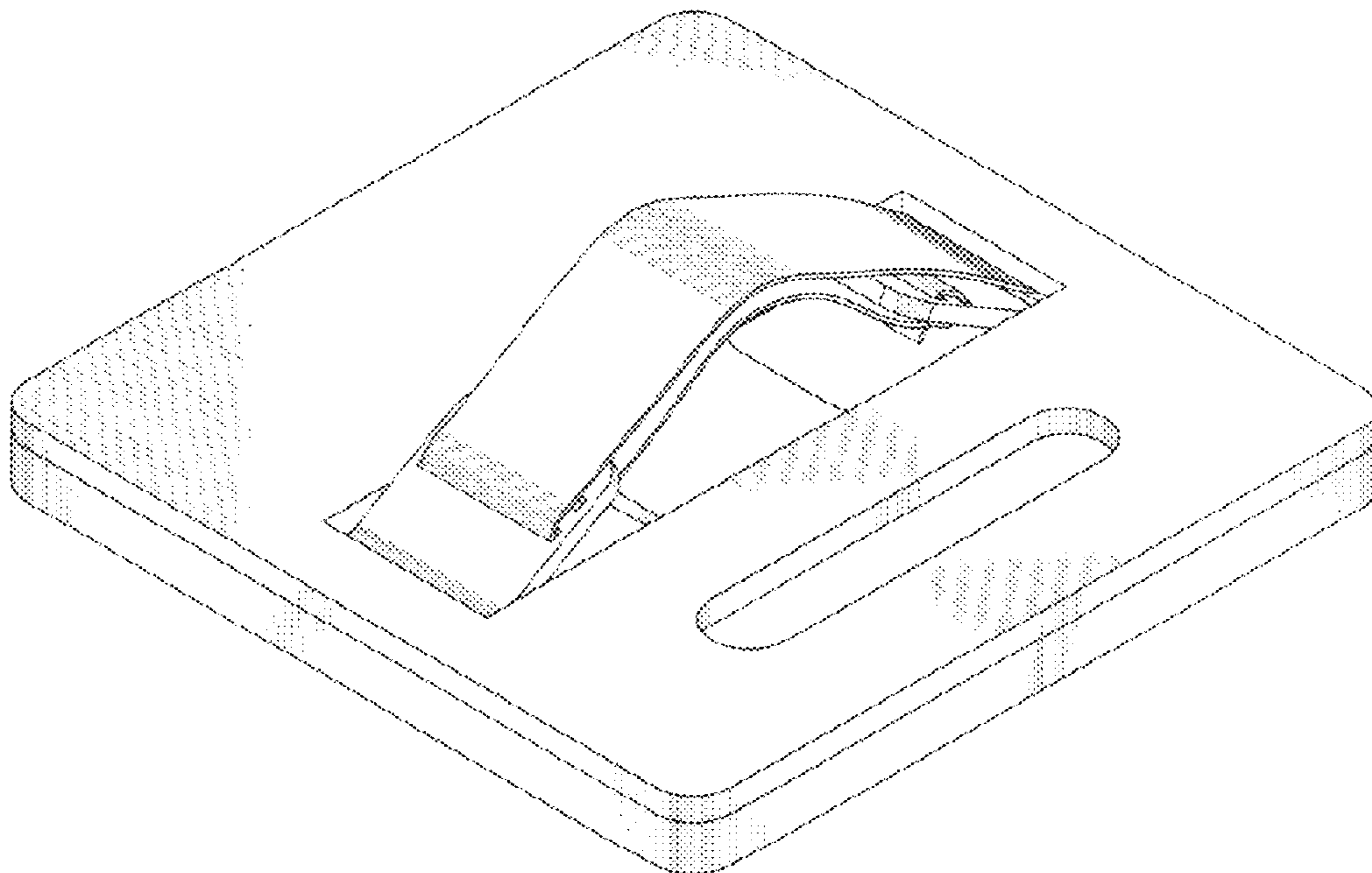
FIG. 1 is a perspective view of a heavy weight foot hold apparatus for sit-ups, with secured adjustable strap, depicting an embodiment of the present invention;  
FIG. 2 is a front view of a heavy weight foot hold apparatus for sit-ups, with secured adjustable strap, of FIG. 1;  
FIG. 3 is a rear view of a heavy weight foot hold apparatus for sit-ups, with secured adjustable strap, of FIG. 1;  
FIG. 4 is a left side view of a heavy weight foot hold apparatus for sit-ups, with secured adjustable strap, of FIG. 1;  
FIG. 5 is a right side view of a heavy weight foot hold apparatus for sit-ups, with secured adjustable strap, of FIG. 1; and,  
FIG. 6 is a top view of a heavy weight foot hold apparatus for sit-ups, with secured adjustable strap, of FIG. 1.

(56) **References Cited**

**U.S. PATENT DOCUMENTS**

- 1,801,769 A \* 4/1931 Gartner ..... A63B 23/10  
602/2
- 2,374,730 A \* 5/1945 Catlin ..... A63B 23/085  
606/237
- 4,915,375 A \* 4/1990 Ginsburg ..... A63B 22/0605  
280/294
- D325,968 S \* 5/1992 Nofsinger ..... D21/685
- 6,231,485 B1 \* 5/2001 Dreissigacker ..... A63B 21/227  
482/57
- D585,947 S \* 2/2009 Royster ..... D21/662
- D596,246 S \* 7/2009 Nofsinger ..... D21/685
- D639,973 S \* 6/2011 Hughes ..... D24/206

**1 Claim, 6 Drawing Sheets**



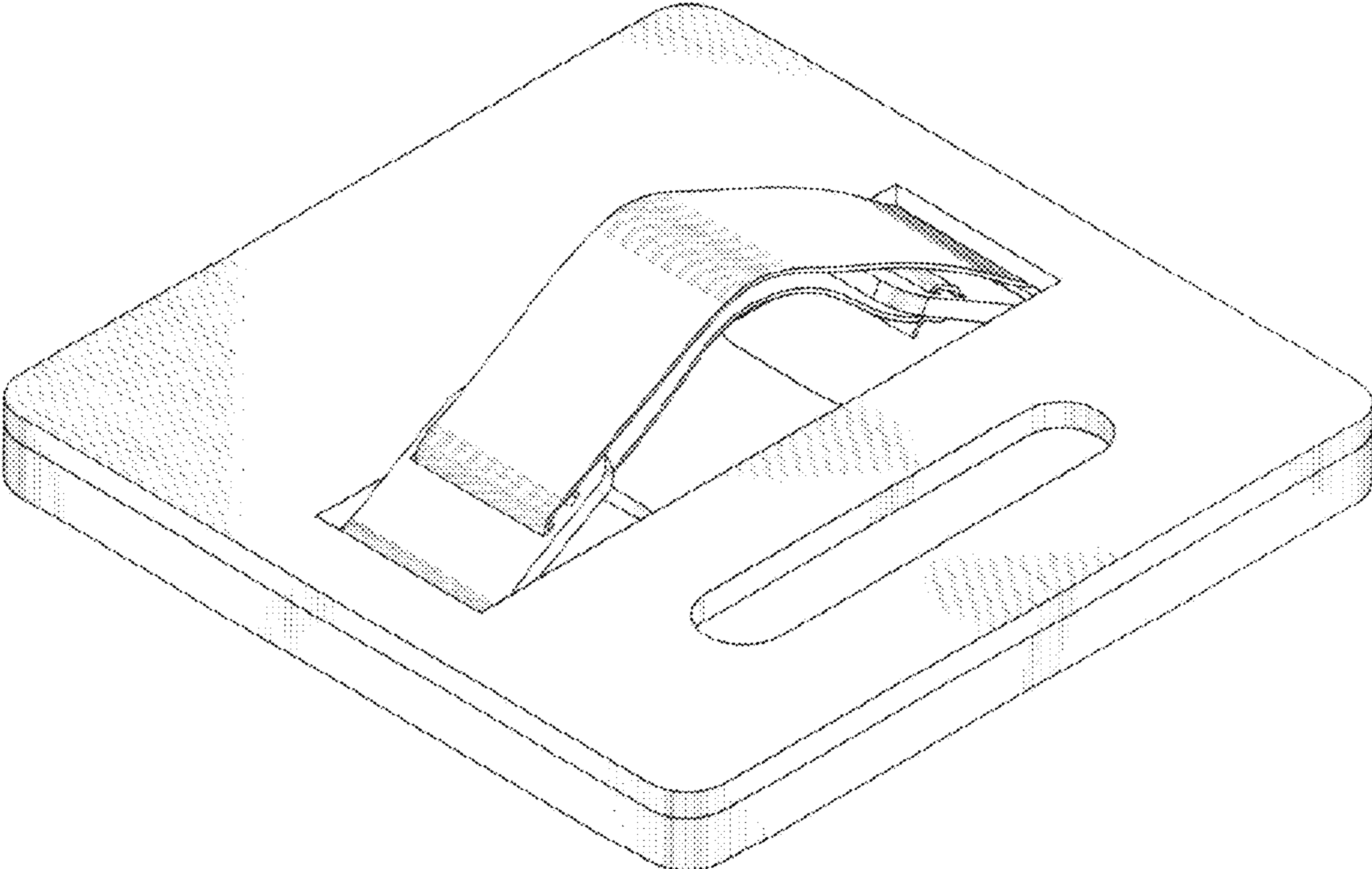


FIG. 1

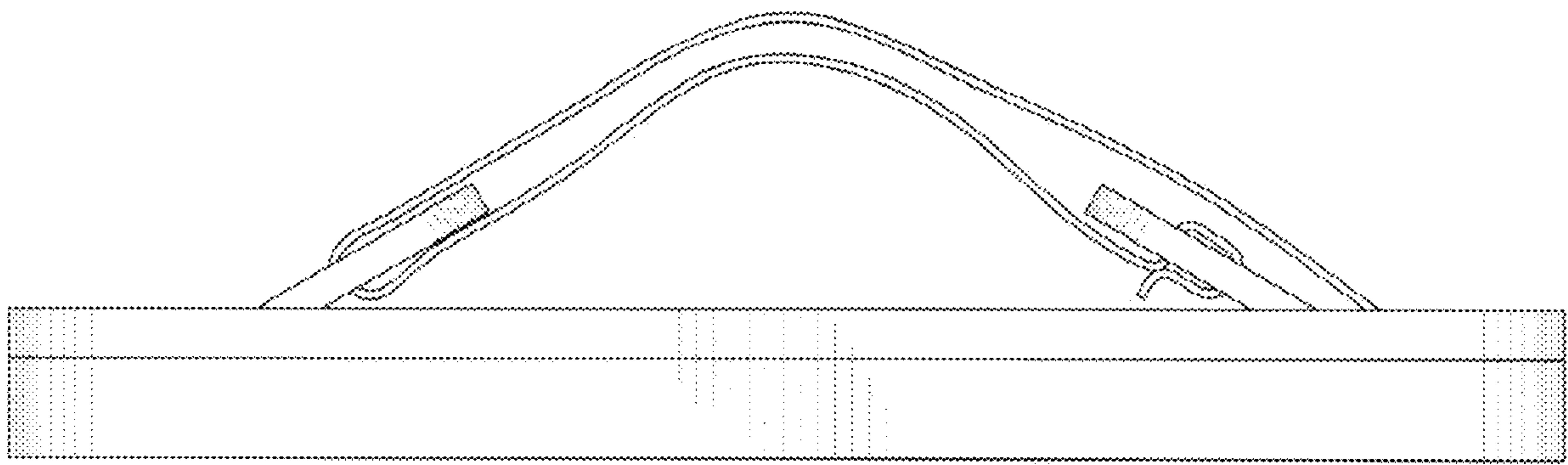


FIG. 2

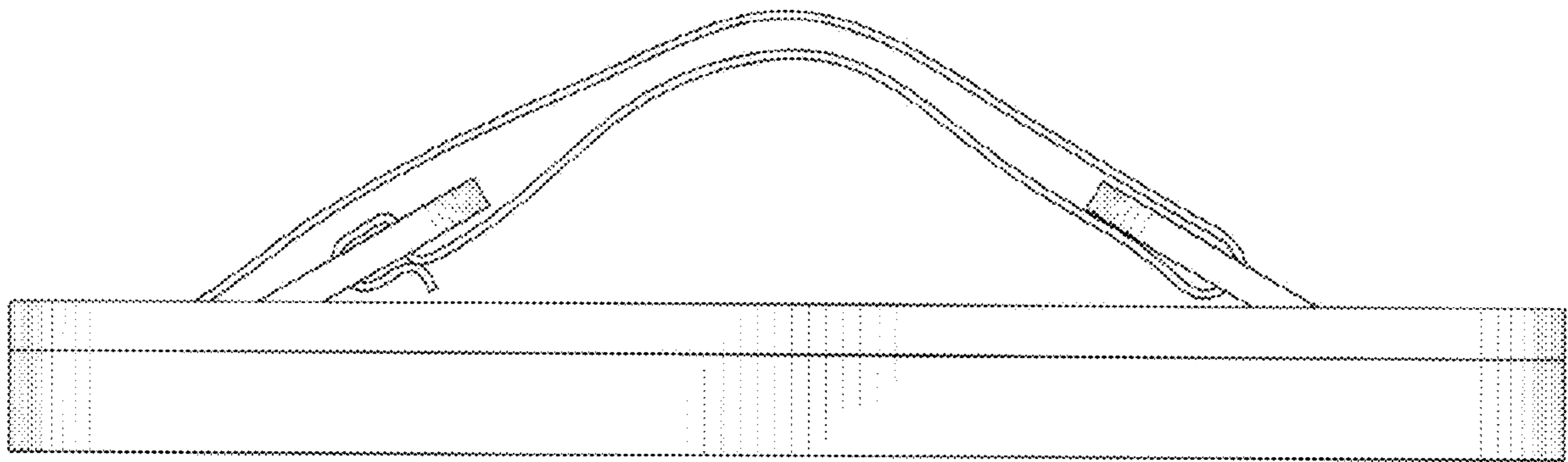


FIG. 3

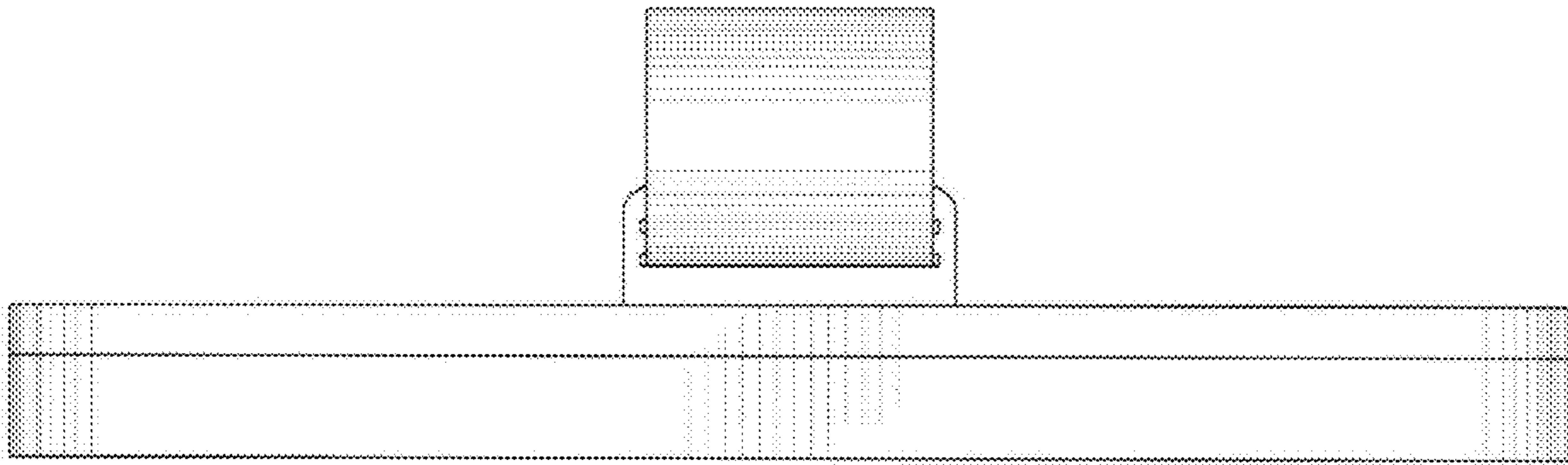


FIG. 4

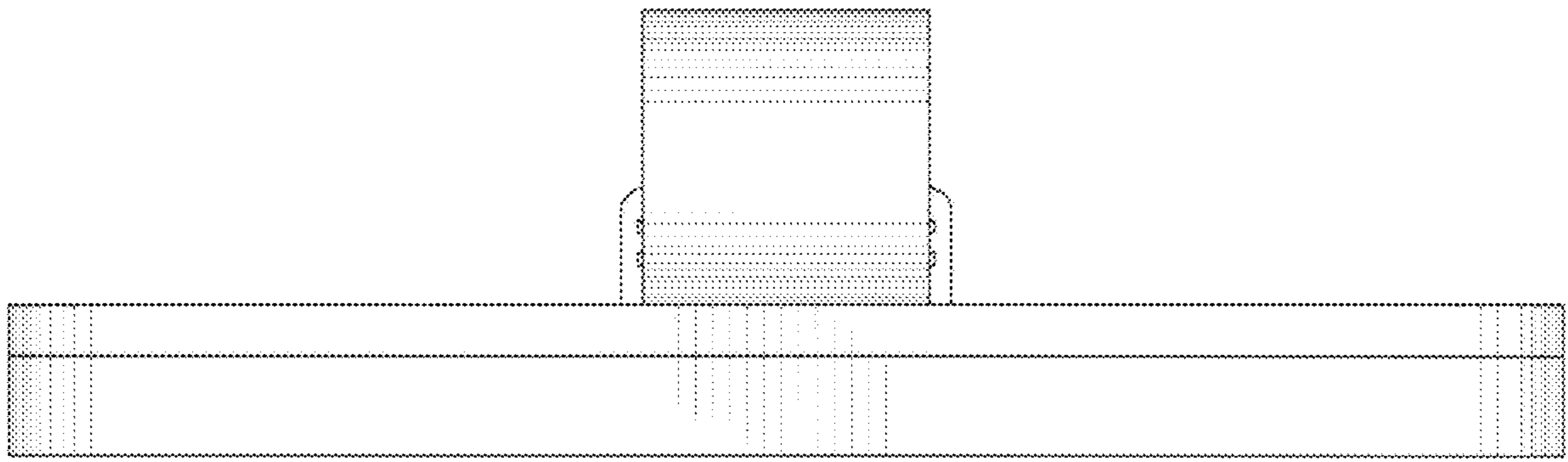


FIG. 5

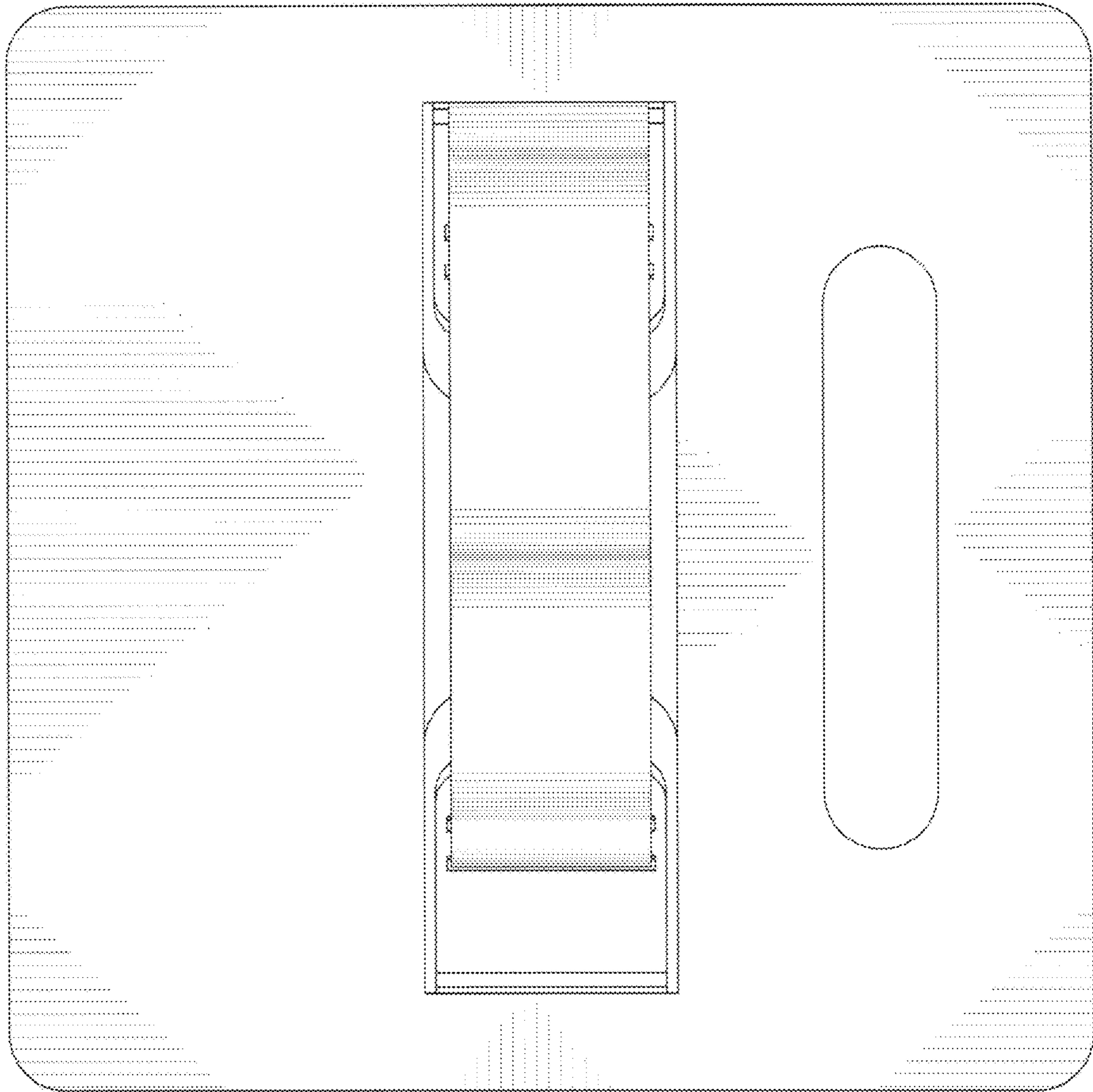


FIG. 6