

US00D939645S

(12) **United States Design Patent** (10) **Patent No.:** **US D939,645 S**
Bartley (45) **Date of Patent:** **** Dec. 28, 2021**

(54) **WEIGHT SLED**

(71) Applicant: **Marc Bartley**, Columbia, SC (US)

(72) Inventor: **Marc Bartley**, Columbia, SC (US)

(**) Term: **15 Years**

(21) Appl. No.: **29/652,077**

(22) Filed: **May 4, 2020**

(51) **LOC (13) Cl.** **21-02**

(52) **U.S. Cl.**
USPC **D21/683**

(58) **Field of Classification Search**
USPC D8/499; D34/28, 23; D3/318, 233, 226;
D21/788, 694, 689, 687, 686, 682, 680,
D21/671, 662, 683, 423, 419; D10/83;
482/97, 93, 74, 68, 66, 55, 5, 142, 14,
482/106, 105; 473/445, 447, 444, 441
CPC . A63B 69/345; A63B 23/047; A63B 21/4035;
A63B 21/0618; A63B 22/20; A63B
21/0004

See application file for complete search history.

(56) **References Cited**

U.S. PATENT DOCUMENTS

4,046,393	A	9/1977	Vadnais	
4,283,068	A	8/1981	Keyser	
D262,690	S *	1/1982	Berry	D8/499
D372,858	S *	8/1996	Sunley	383/25
5,653,455	A	8/1997	Richards	
D395,751	S *	7/1998	Dominique	D3/226
5,816,982	A *	10/1998	Croushore	A63B 69/12 482/55
D478,954	S	8/2003	Forrest	
D532,574	S *	11/2006	Clark	D34/28
7,727,089	B2	6/2010	Gilman	
7,972,224	B2	7/2011	Gilman	
D672,414	S *	12/2012	Januszek	D21/680
8,936,253	B1	1/2015	Rizzi	
8,986,172	B2	3/2015	Poole	

D726,842	S *	4/2015	Ross	D21/680
9,232,699	B1	1/2016	Tosto	
D770,571	S *	11/2016	Rahnasto	D21/423
D792,531	S *	7/2017	Bossier	D21/682
9,789,349	B2 *	10/2017	Rahnasto	A63B 23/03525
D806,186	S *	12/2017	Catania	D21/680
9,975,024	B1	5/2018	Potter	
9,999,798	B2 *	6/2018	Hannula	A63B 21/072
D823,953	S *	7/2018	Kuka	D21/680

(Continued)

OTHER PUBLICATIONS

Magic Carpet With Upper Body Strap by Spud Inc dated Aug. 17, 2020. Found online [Feb. 24, 2021] <https://www.spud-inc-straps.com/magic-carpet-with-upper-body-strap-army-pt-test-pa.html>.*

(Continued)

Primary Examiner — Ryan Harvey
(74) *Attorney, Agent, or Firm* — Southeast IP Group;
Thomas L. Moses

(57) **CLAIM**

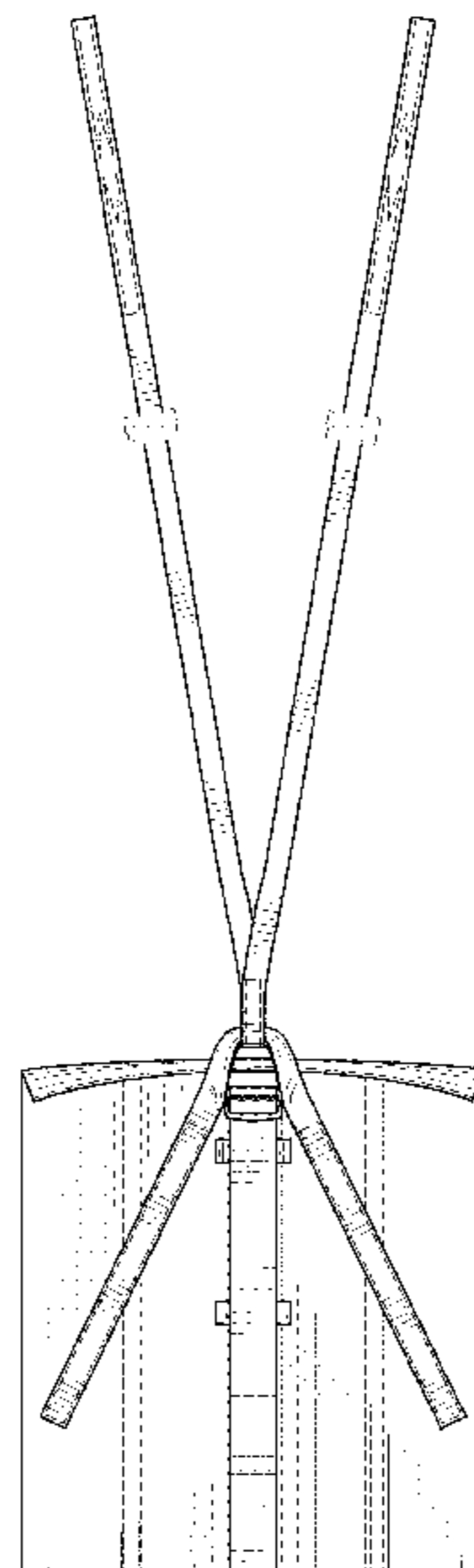
The ornamental design for the weight sled, as shown and described.

DESCRIPTION

FIG. 1 is a top view of my design for a weight sled;
FIG. 2 is a bottom view thereof;
FIG. 3 is a top view thereof;
FIG. 4 is a bottom view thereof;
FIG. 5 is a perspective top view thereof;
FIG. 6 is a perspective bottom view thereof;
FIG. 7 is a right view thereof; and,
FIG. 8 is a left view thereof.

The claimed design is shown with a symbolic break in its length. The appearance of any portion of the article between the break lines forms no part of the claimed design. The broken lines depict stitching and form no part of the claim.

1 Claim, 7 Drawing Sheets



(56)

References Cited

U.S. PATENT DOCUMENTS

D847,920 S 5/2019 Lien
 D851,395 S * 6/2019 Jusic D3/226
 D864,573 S * 10/2019 Jones D3/318
 D868,182 S * 11/2019 Catania D21/662
 D871,072 S * 12/2019 Coughlan D3/318
 10,500,432 B2 12/2019 Bentley
 D876,558 S * 2/2020 Ross D21/680
 D885,498 S * 5/2020 Pecqueur D21/680
 2005/0023779 A1 2/2005 Kalvelage
 2009/0051131 A1 2/2009 Warrington
 2010/0048363 A1 2/2010 Gilberti et al.
 2010/0243372 A1 9/2010 Wilkinson
 2011/0224051 A1 9/2011 Larish
 2013/0095984 A1 4/2013 Agate
 2013/0343675 A1* 12/2013 Gourchounian E04H 15/64
 383/3
 2015/0061245 A1 3/2015 Rogier

2015/0202486 A1* 7/2015 Childs A63B 21/0603
 482/106
 2017/0136285 A1 10/2017 Williams
 2018/0117396 A1 5/2018 Engelfried, Jr.

OTHER PUBLICATIONS

The Short Track Sled by Spud Inc dated Apr. 5, 2020. Found online [Feb. 24, 2021] <https://www.spud-inc-straps.com/the-short-track-sled.html>.
 Magic Carpet Indoor by Spud Inc dated Jan. 28, 2019. Found online [Feb. 24, 2021] <https://www.spud-inc-straps.com/magic-carpet-indoor-sled.html>.
 Mini Me Sled by Spud Inc dated Apr. 5, 2020. Found online [Feb. 24, 2021] <https://www.spud-inc-straps.com/mini-me-sled.html>.
 Nylon Carpet Drag by Rally Fitness dated Aug. 21, 2019. Found online [Feb. 24, 2021] <https://rallyfitness.com/products/rally-fitness-nylon-carpet-sled-acft>.

* cited by examiner

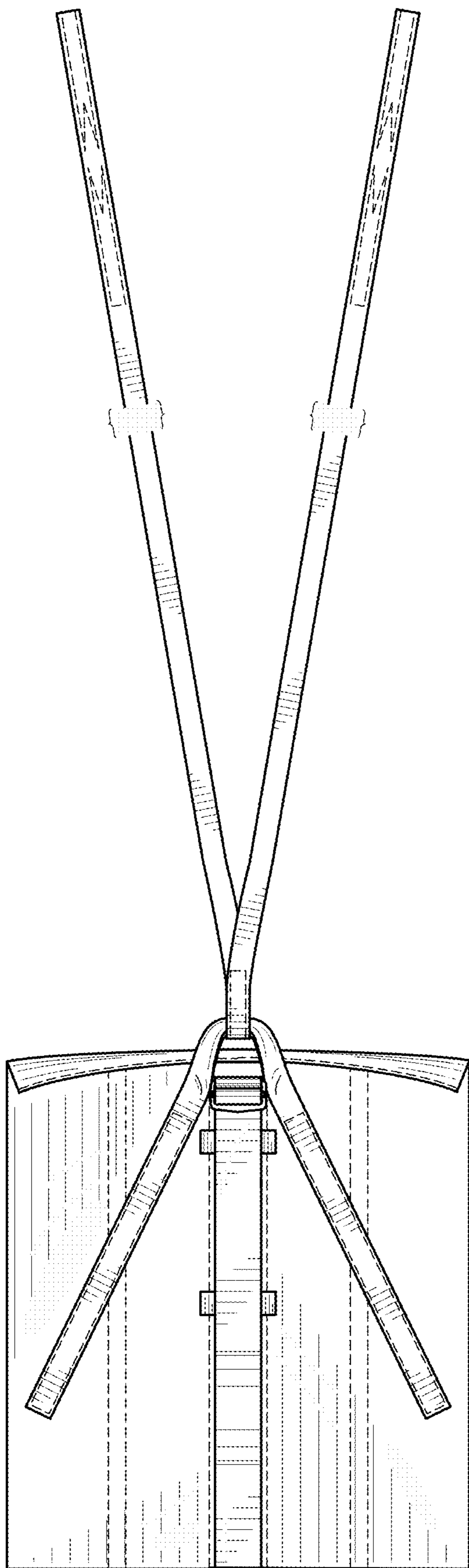


FIG. 1

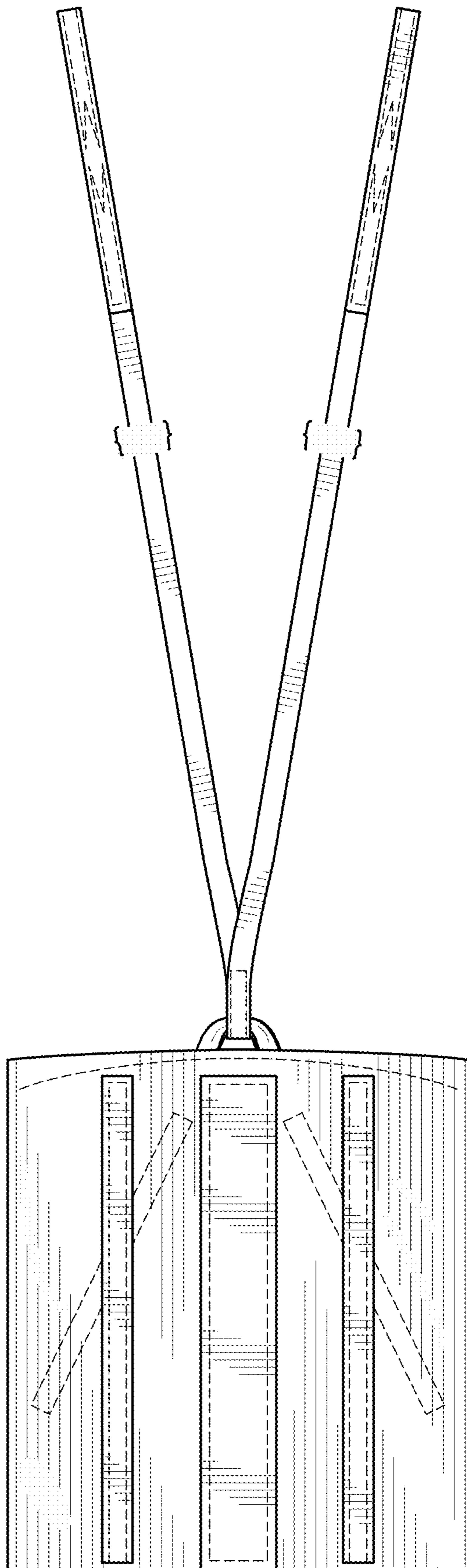


FIG. 2

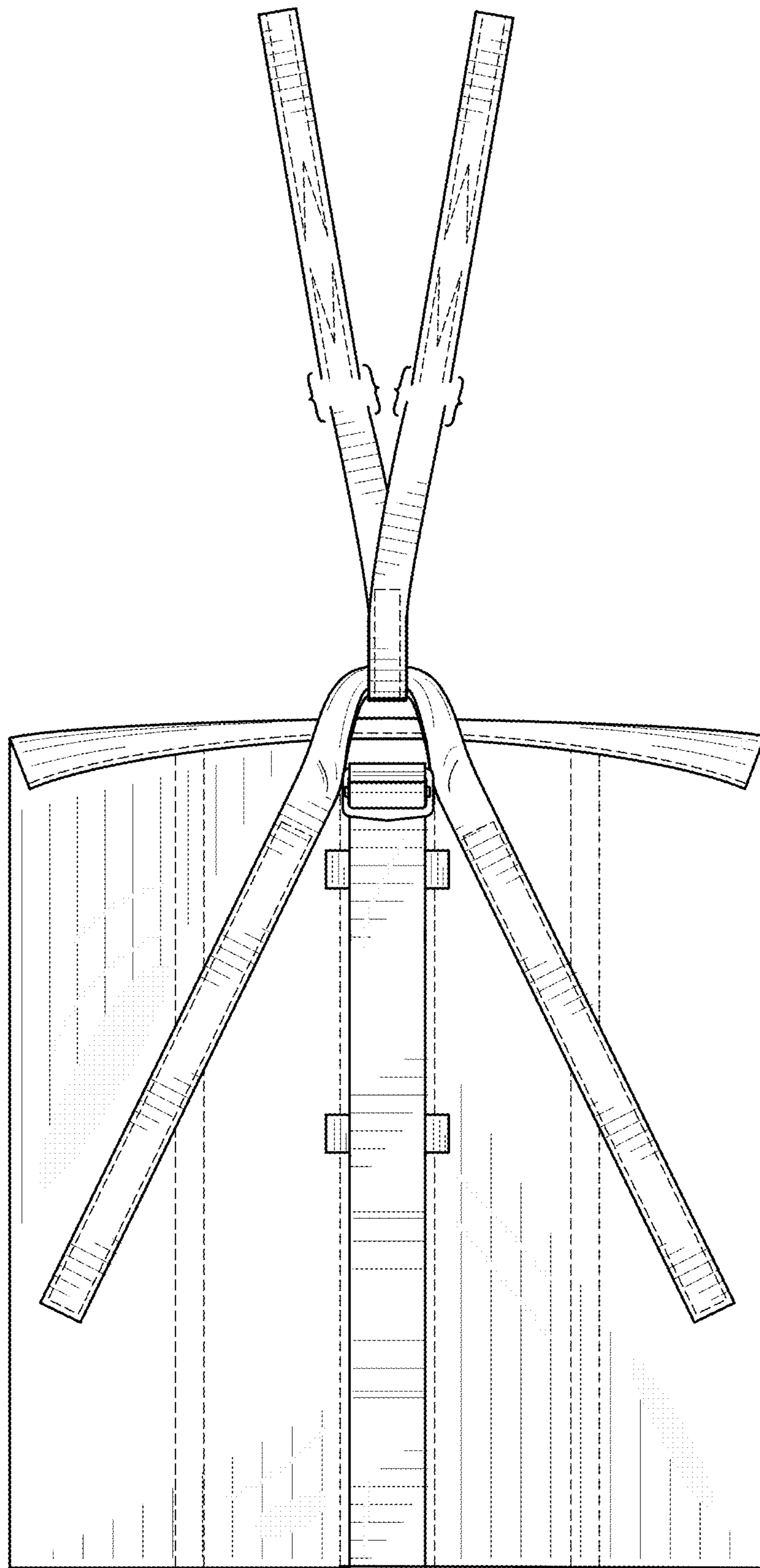


FIG. 3

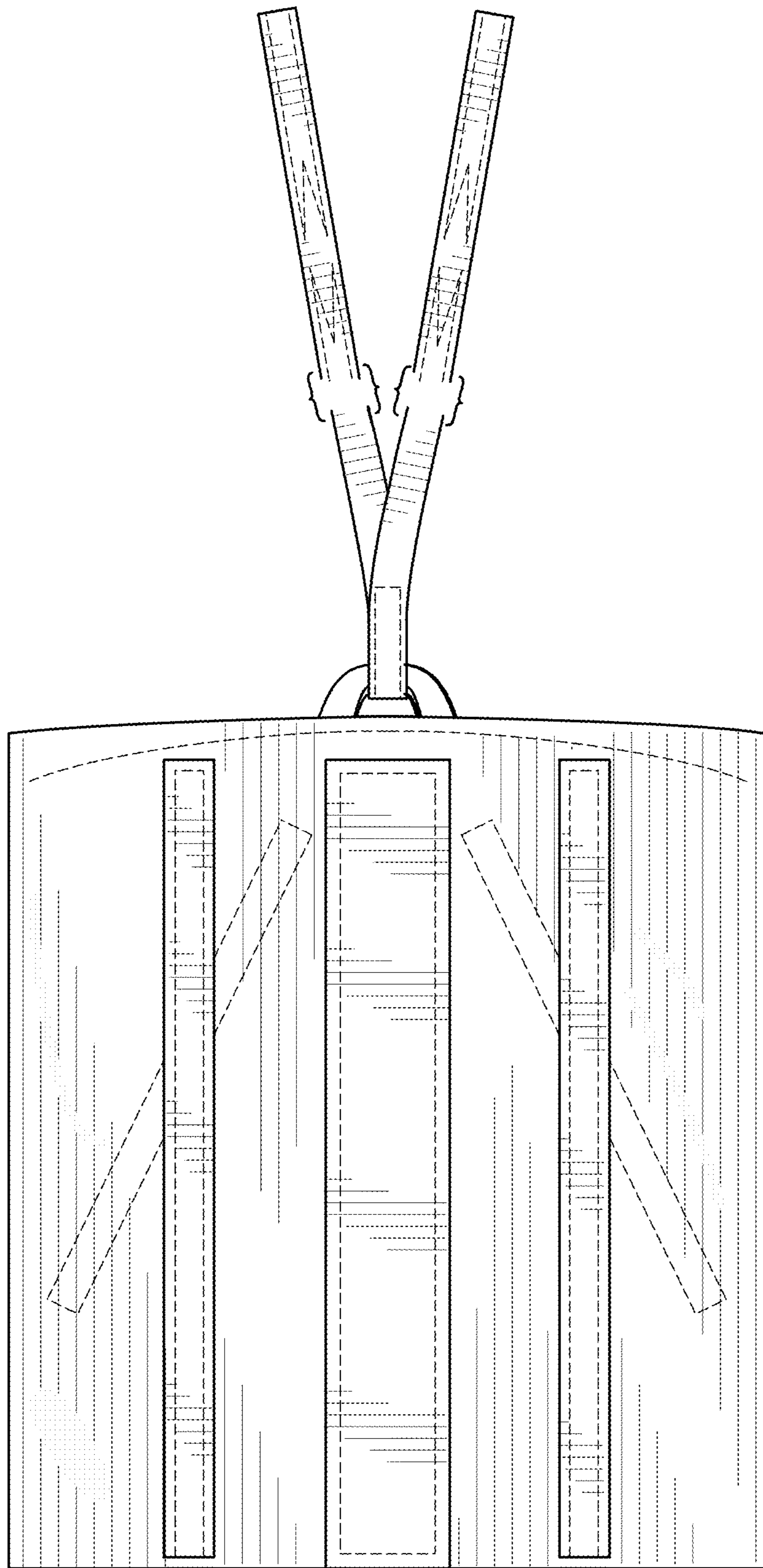


FIG. 4

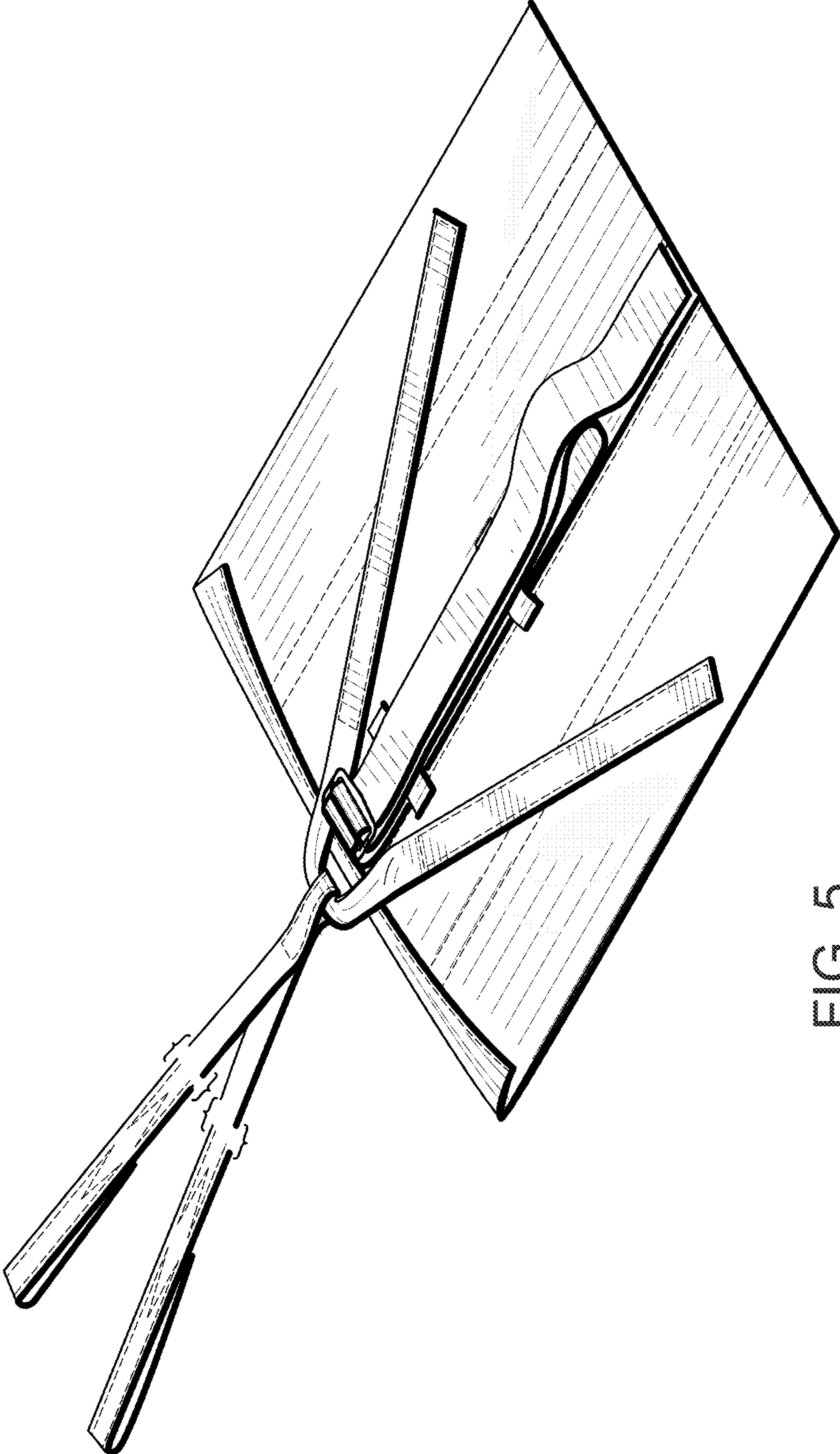


FIG. 5

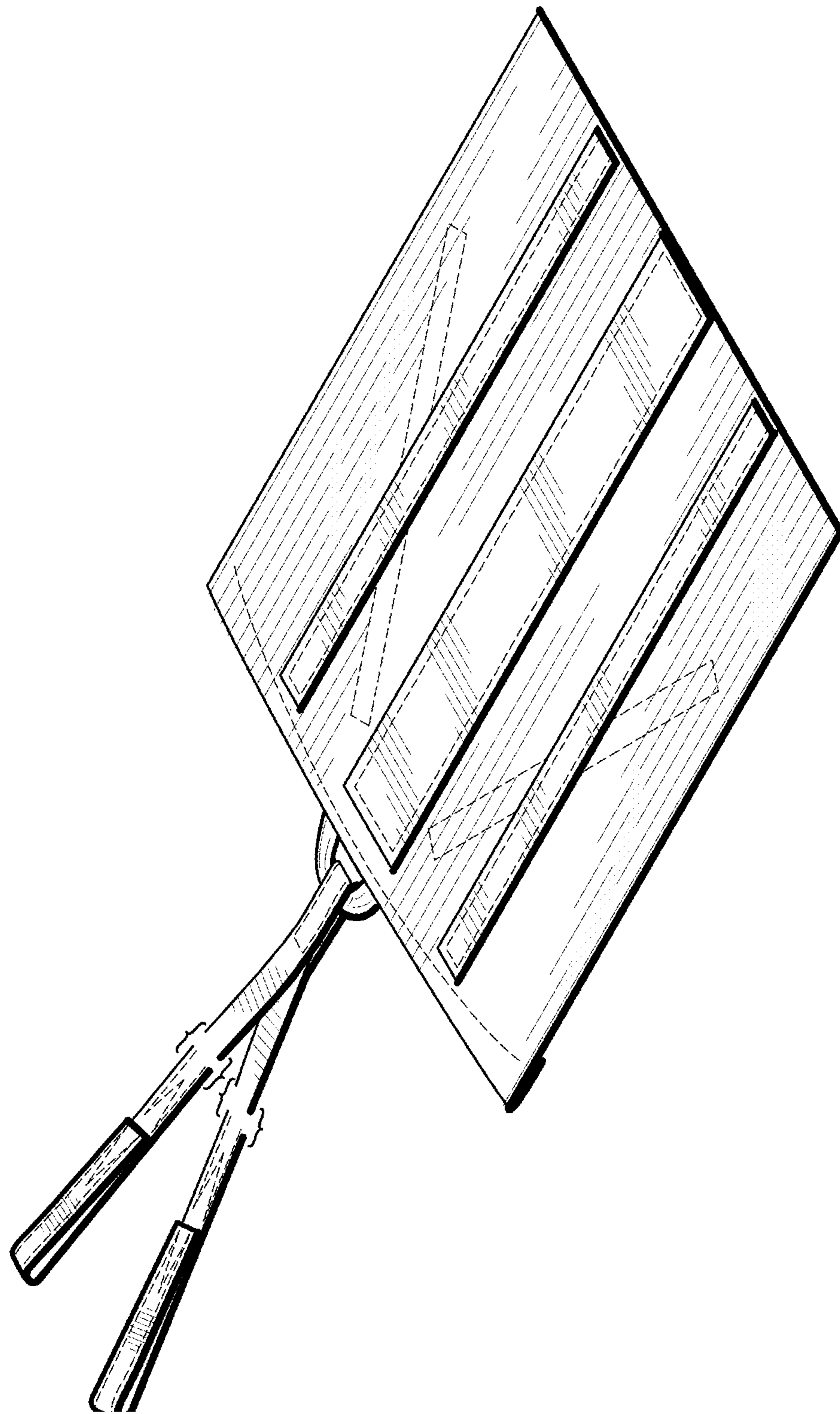


FIG. 6

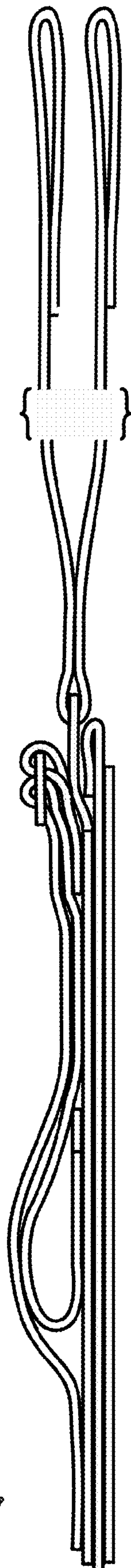


FIG. 7

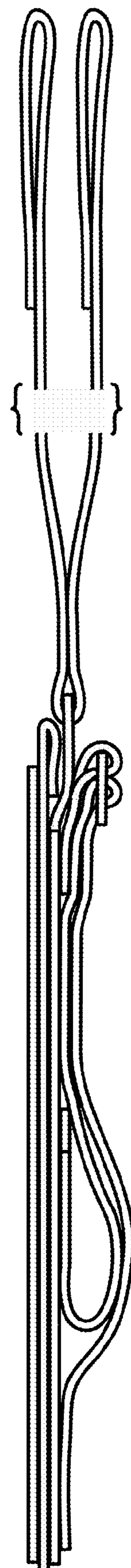


FIG. 8