



US00D939642S

(12) **United States Design Patent** (10) **Patent No.:** **US D939,642 S**
Dalcourt (45) **Date of Patent:** **** *Dec. 28, 2021**

(54) **TUBULAR EXERCISE DEVICE**
(71) Applicant: **ViPR PRO, LLC**, Solana Beach, CA (US)

4,691,986 A 9/1987 Aberson et al.
4,890,203 A 12/1989 Watson
4,986,535 A 1/1991 Hull et al.
4,995,604 A 2/1991 Lynch et al.
(Continued)

(72) Inventor: **Michol Dalcourt**, Solana Beach, CA (US)

FOREIGN PATENT DOCUMENTS

(73) Assignee: **ViPR PRO, LLC**, Solana Beach, CA (US)

CA 2587024 11/2005
CA 2558330 3/2008
(Continued)

(*) Notice: This patent is subject to a terminal disclaimer.

OTHER PUBLICATIONS

(**) Term: **15 Years**

Vipr exercise, announced [2013], [site visited Mar. 16, 2021]. Available on internet, URL:<https://www.youtube.com/watch?v=Hfgaj1kwdal> (Year: 2013).*

(21) Appl. No.: **29/689,797**

(Continued)

(22) Filed: **May 1, 2019**

Primary Examiner — Khawaja Anwar

(51) **LOC (13) Cl.** **21-02**

Assistant Examiner — Julice Seung Eun Oum

(52) **U.S. Cl.**

(74) *Attorney, Agent, or Firm* — Sheppard Mullin Richter & Hampton LLP

USPC **D21/662**

(58) **Field of Classification Search**

USPC D21/662, 691; D24/110, 110.5, 110.6, D24/121, 133, 142, 147, 231; D15/199; D9/500, 504, 428

(57) **CLAIM**

CPC A61M 5/3156; B65D 83/04; A61B 17/32053; A63B 21/072; A63B 21/06

I claim the ornamental design for a tubular exercise device, as shown and described.

See application file for complete search history.

DESCRIPTION

(56) **References Cited**

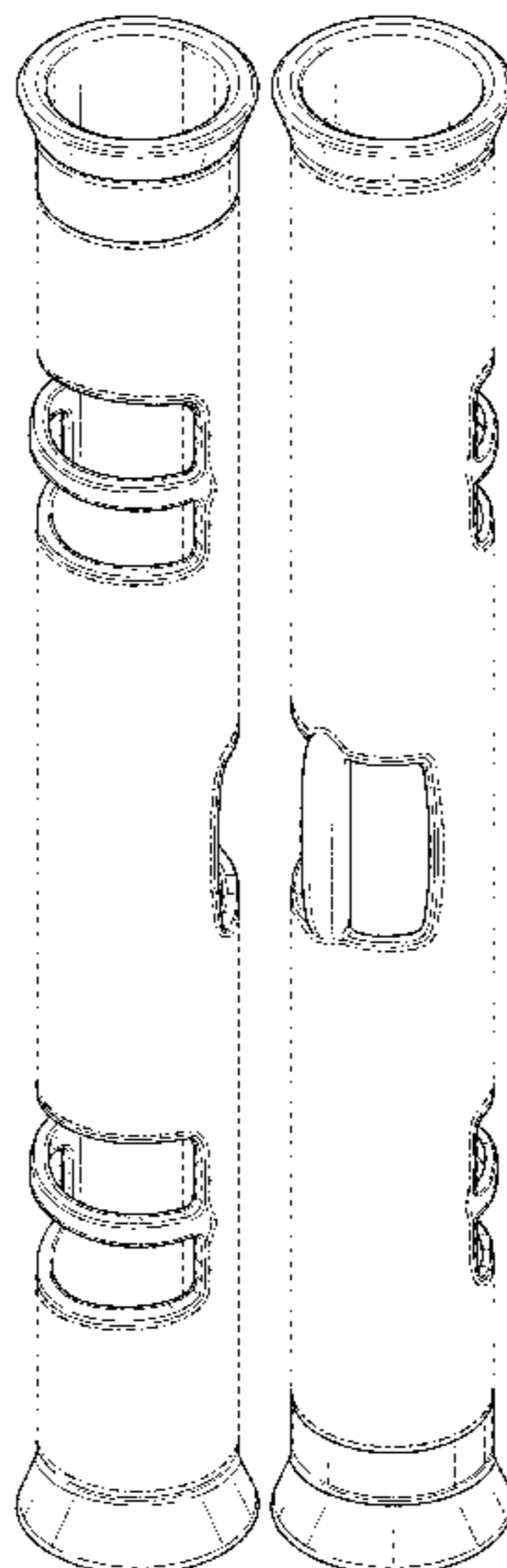
U.S. PATENT DOCUMENTS

1,082,862 A 12/1913 Geschickter
1,552,073 A 9/1925 Mansfeldt
2,831,948 A 4/1958 Fraser
3,758,109 A 9/1973 Bender
4,199,140 A 4/1980 Ferretti
4,538,806 A 9/1985 Wilkerson
4,586,610 A 5/1986 Gandolfo
D287,867 S 1/1987 Wollersheim
4,643,302 A 2/1987 Baumgardner
4,681,171 A 7/1987 Kee et al.

FIG. 1 is a top, front, and right side perspective view of an ornamental design for a tubular exercise device; FIG. 2 is a top, rear, and left side perspective view thereof; FIG. 3 is a front elevational view thereof; FIG. 4 is a rear elevational view thereof; FIG. 5 is a left side elevational view and a mirror image of the right side elevational view thereof; and, FIG. 6 is a top plan view thereof.

The broken lines of the tubular exercise device shown in the drawings are for illustrative purposes only and form no part of the claimed design.

1 Claim, 3 Drawing Sheets



(56)

References Cited

U.S. PATENT DOCUMENTS

5,177,850 A * 1/1993 Hull A62B 3/005
29/254

5,242,350 A 9/1993 Chang et al.
5,328,431 A 7/1994 Winslow
5,358,262 A 10/1994 Roberts
5,417,635 A 5/1995 Sell
3,256,015 A 6/1996 Perrin
5,692,996 A 12/1997 Widerman
5,716,305 A 2/1998 Selsam
D395,210 S 6/1998 Almsig
6,068,580 A 5/2000 Myers et al.
D433,468 S 11/2000 Rojas et al.
6,190,292 B1 2/2001 Panes
6,312,364 B1 11/2001 Selsam
6,474,858 B1 11/2002 Liao
D469,135 S 1/2003 Bell
D505,459 S 5/2005 Lagattuta
6,902,517 B1 6/2005 Brown et al.
D533,413 S 12/2006 Wax
D544,554 S * 6/2007 Brun D21/662
7,244,220 B2 7/2007 Carney
D579,990 S 11/2008 Dalcourt
7,785,243 B2 8/2010 Kassel
D639,357 S * 6/2011 Brun D21/679
7,963,888 B2 6/2011 Lutkov
D648,024 S * 11/2011 Harkin D24/146
8,231,511 B2 7/2012 Dalcourt
D666,257 S * 8/2012 Seraydarian D21/679
D694,348 S * 11/2013 Rankin D21/679
D696,774 S * 12/2013 Guarraia D24/113
8,870,717 B2 * 10/2014 Pfitzer A63B 21/015
482/89

D768,856 S * 10/2016 Harkin D24/147
D780,909 S * 3/2017 Burkett D24/113
D797,281 S * 9/2017 Ohashi D24/130
D866,757 S * 11/2019 Diluzio D24/133
D877,823 S * 3/2020 Brown D21/679
D906,839 S * 1/2021 Sakai D9/730

2004/0082445 A1 4/2004 Zabel

2005/0009670 A1 1/2005 Scafidel
2005/0018705 A1 1/2005 Ohsuge
2005/0187075 A1 * 8/2005 Bellamy A63B 21/0004
482/93

2006/0116256 A1 * 6/2006 Carney A63B 21/072
482/106

2007/0042873 A1 2/2007 Lutkov
2007/0167298 A1 7/2007 Bystrom
2007/0287600 A1 * 12/2007 Prenatt A63B 21/0603
482/41

2010/0009820 A1 1/2010 Dalcourt
2011/0022070 A1 * 1/2011 Nicholls A61B 5/150412
606/182

2012/0088639 A1 * 4/2012 Dalcourt A63B 21/0724
482/93

2012/0283072 A1 * 11/2012 Jones A63B 21/0724
482/93

2019/0262656 A1 * 8/2019 Brown A63B 71/0036
2020/0155887 A1 * 5/2020 Hanners A63B 21/4035
2020/0298045 A1 * 9/2020 Kaye A63B 21/4043
2020/0346065 A1 * 11/2020 Dalcourt A63B 21/4035
2021/0213472 A1 * 7/2021 Cheng B05B 11/0054
2021/0219964 A1 * 7/2021 Conti A61B 10/025

FOREIGN PATENT DOCUMENTS

WO WO 9409856 5/1994
WO WO 2005075026 A1 8/2005

OTHER PUBLICATIONS

Supplementary European Search Report in EP Patent Application No. 07800528.7, dated May 23, 2011.
International Search Report and Written Opinion in PCT/CA2007/001503, dated Nov. 16, 2007, 7pgs.
International Preliminary Report on Patentability in PCT/CA2007/001503, dated Nov. 18, 2008, 5 pgs.
International Search Report and Written Opinion in PCT/US2012/059383, dated Jan. 22, 2013, pp. 1-4.

* cited by examiner

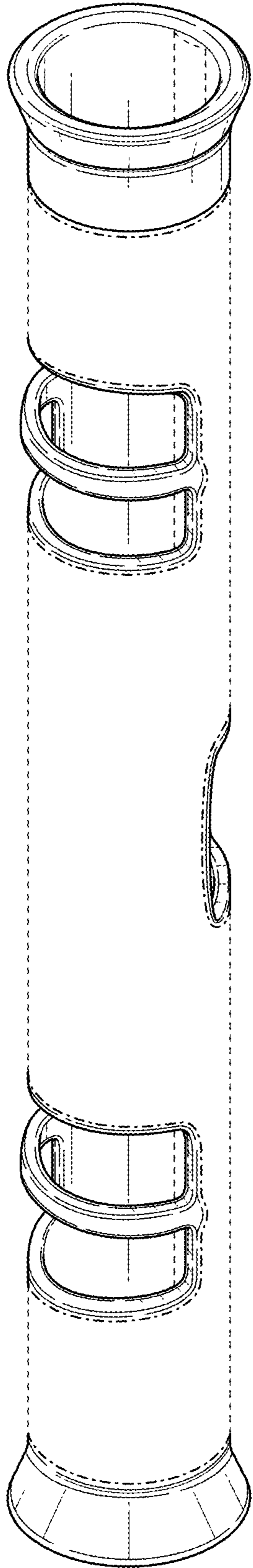


FIG. 1

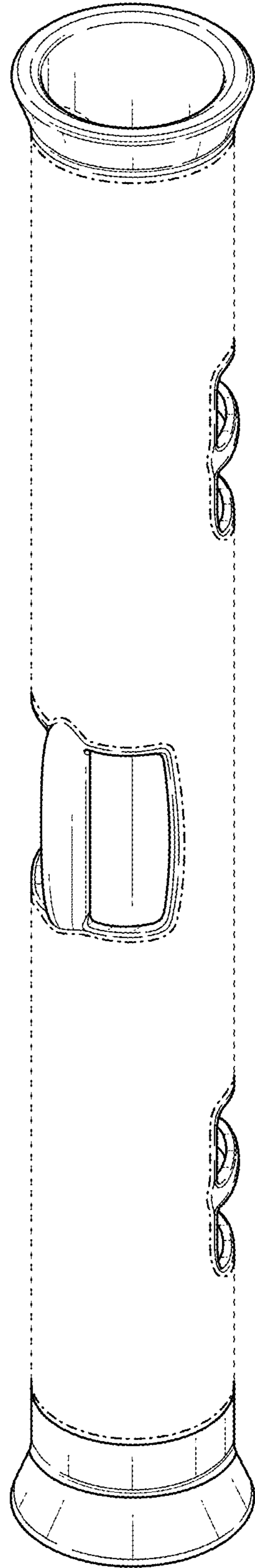


FIG. 2

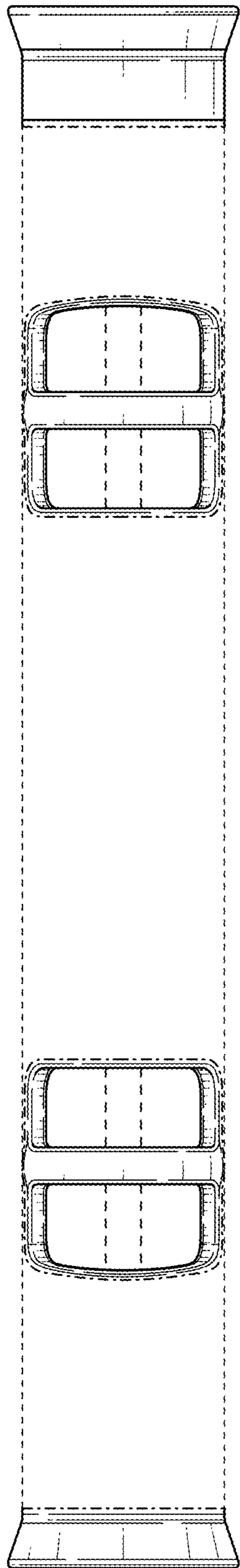


FIG. 3

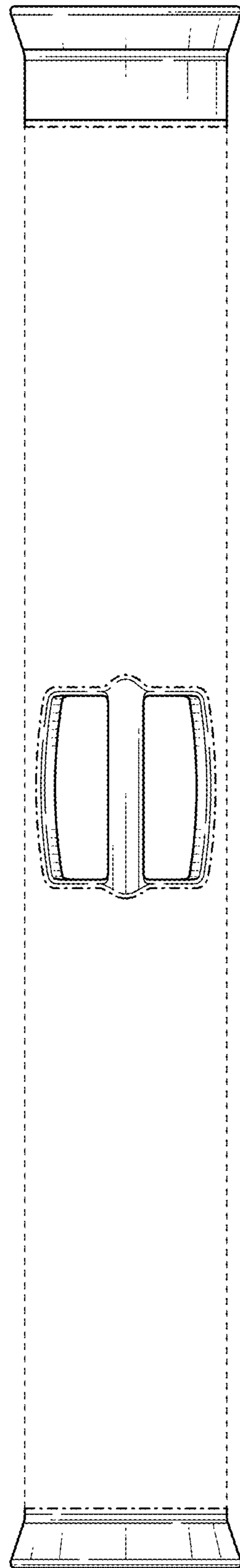


FIG. 4

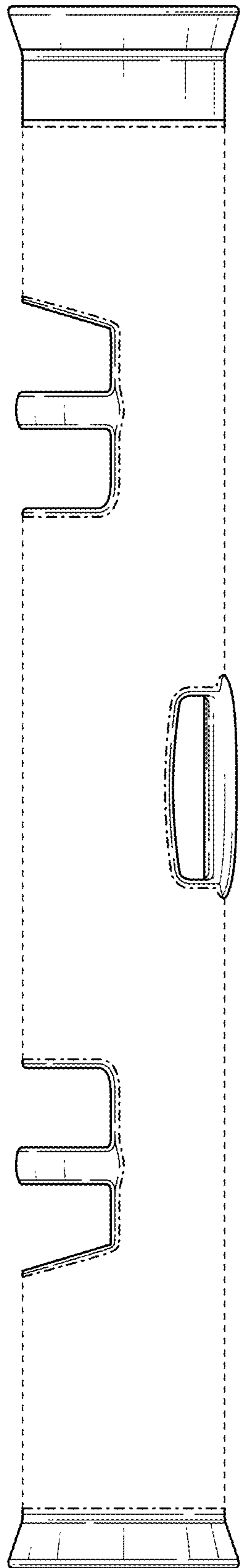


FIG. 5

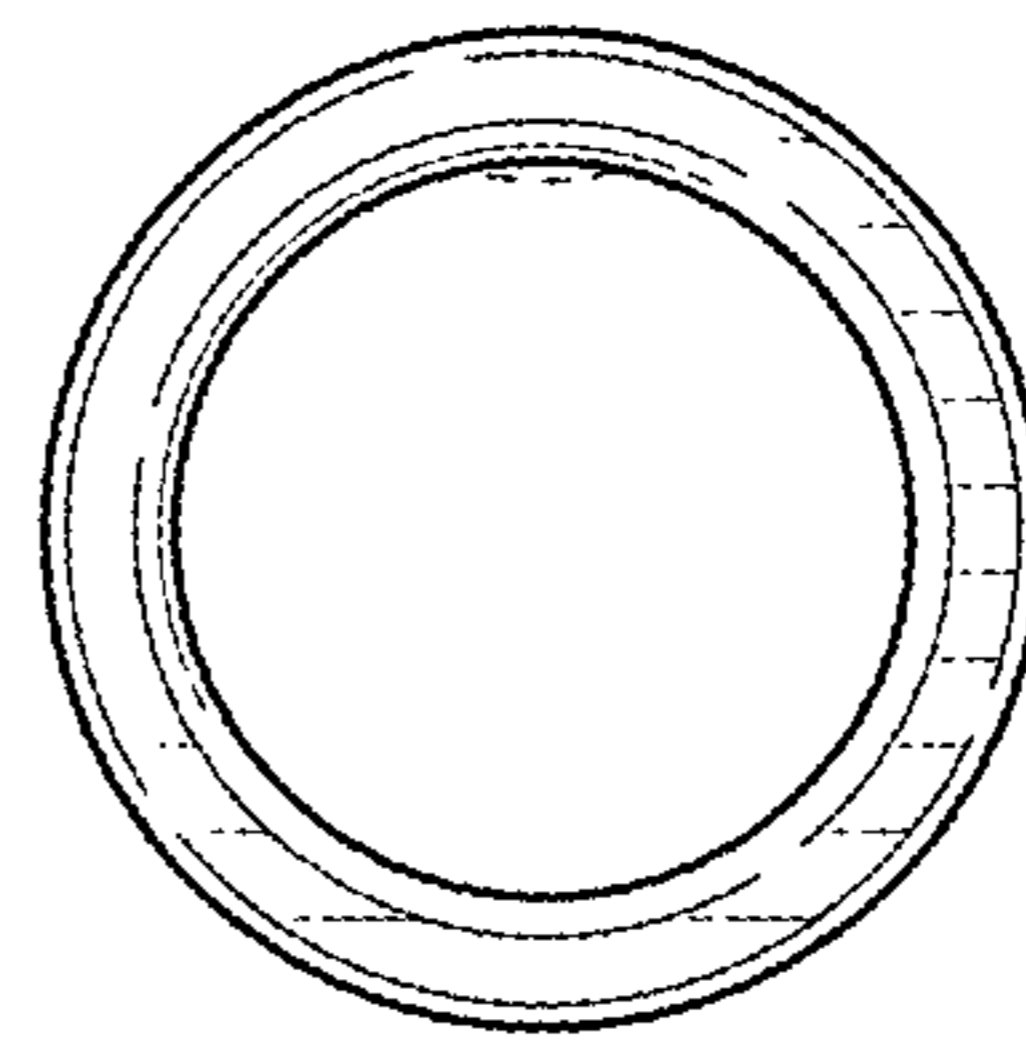


FIG. 6