



US00D939637S

(12) **United States Design Patent** (10) **Patent No.:** **US D939,637 S**  
**Wang et al.** (45) **Date of Patent:** **\*\* Dec. 28, 2021**

(54) **VEHICLE** 7,862,400 B2 \* 1/2011 Discoe ..... A63H 17/262  
446/465

(71) Applicant: **SZ DJI Technology Co., Ltd.,** 9,352,242 B2 5/2016 Hippely et al.  
Shenzhen (CN) 9,375,648 B2 6/2016 Lee  
D762,269 S 7/2016 Lee  
D792,524 S 7/2017 Bei et al.  
(72) Inventors: **Zhen Wang, Shenzhen (CN); Bo** D803,765 S 11/2017 Rehkemper et al.  
**Liang, Shenzhen (CN)** 9,931,580 B2 4/2018 Bei et al.  
D822,124 S 7/2018 Tsuchiya

(73) Assignee: **SZ DJI Technology Co., Ltd.,** 2004/0092206 A1 \* 5/2004 Lynders ..... A63H 30/04  
Shenzhen (CN) 446/427

(\*\*) Term: **15 Years** 2006/0292966 A1 12/2006 Takahashi  
2007/0259599 A1 11/2007 Nakayama  
2012/0322341 A1 12/2012 Rehkemper et al.  
2014/0065926 A1 \* 3/2014 Rehkemper ..... A63H 17/004  
446/454

(21) Appl. No.: **29/656,945** 2014/0221111 A1 \* 8/2014 Picolet ..... A63H 18/028  
472/89

(22) Filed: **Jul. 17, 2018** 2020/0079448 A1 \* 3/2020 Chen ..... B60K 1/00  
2020/0094617 A1 \* 3/2020 Wang ..... B60B 19/003

(51) **LOC (13) Cl.** ..... **21-01**

(52) **U.S. Cl.** ..... **D21/533**  
USPC ..... **D21/533**

(58) **Field of Classification Search**  
USPC ..... D21/533, 548, 549, 550, 552, 557, 558,  
D21/559, 560, 561, 562  
CPC ..... A63H 17/00; A63H 17/004; A63H 17/26;  
A63H 17/262; A63H 17/36; A63H 30/00;  
A63H 30/04  
See application file for complete search history.

\* cited by examiner

*Primary Examiner* — Cynthia M. Chin  
(74) *Attorney, Agent, or Firm* — Sterne, Kessler,  
Goldstein & Fox P.L.L.C.

(57) **CLAIM**  
The ornamental design for a vehicle, as shown and described.

(56) **References Cited**

**DESCRIPTION**

U.S. PATENT DOCUMENTS

D309,930 S 8/1990 Tsuchiya  
D317,336 S 6/1991 Chuang  
D362,280 S \* 9/1995 George ..... D21/550  
D377,956 S 2/1997 Chuang  
D379,386 S 5/1997 George et al.  
5,727,985 A 3/1998 Smolaczyk  
D408,471 S 4/1999 Discoe et al.  
D508,963 S 8/2005 Byers et al.  
D538,861 S 3/2007 Weiss et al.  
7,234,992 B2 6/2007 Swisher et al.  
D577,083 S 9/2008 Asai  
D593,616 S 6/2009 Benedict et al.

FIG. 1 is a top front perspective view of a vehicle showing the claimed design;  
FIG. 2 is a front view thereof;  
FIG. 3 is a rear view thereof;  
FIG. 4 is a left side view thereof;  
FIG. 5 is a right side view thereof;  
FIG. 6 is a top view thereof; and,  
FIG. 7 is a bottom view thereof.  
The broken lines in the figures show portions of the vehicle that form no part of the claimed design.

**1 Claim, 6 Drawing Sheets**

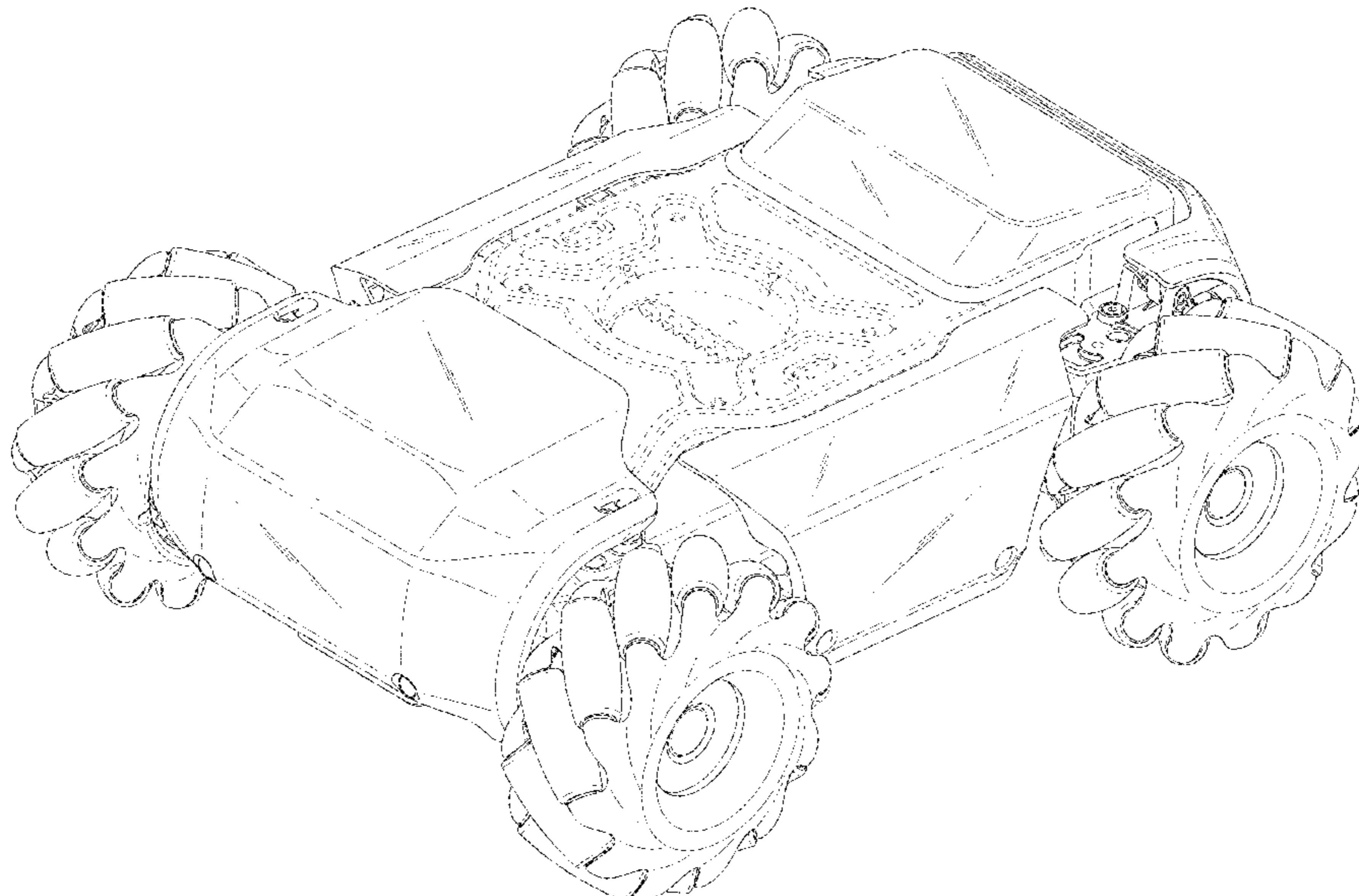




FIG. 1

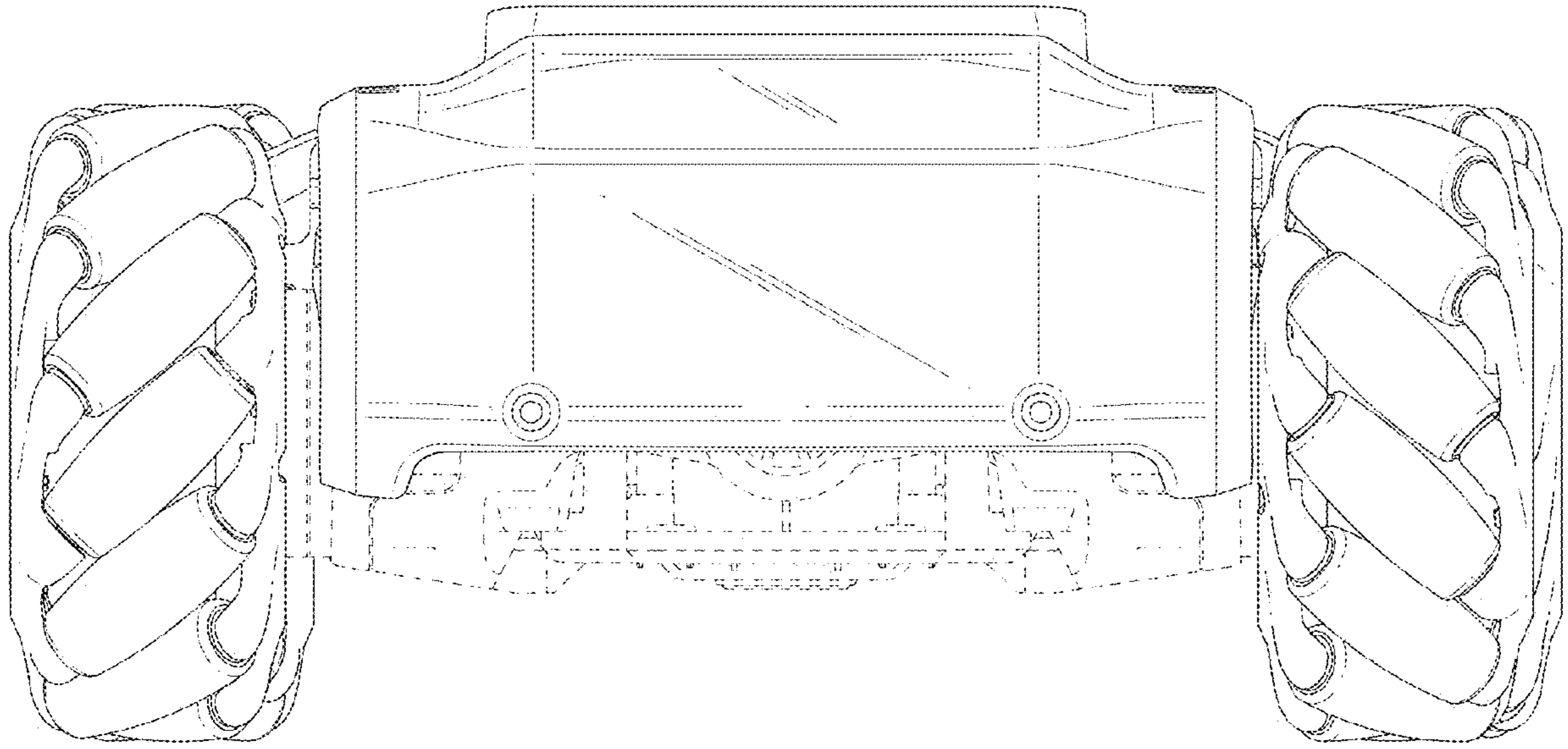


FIG. 2

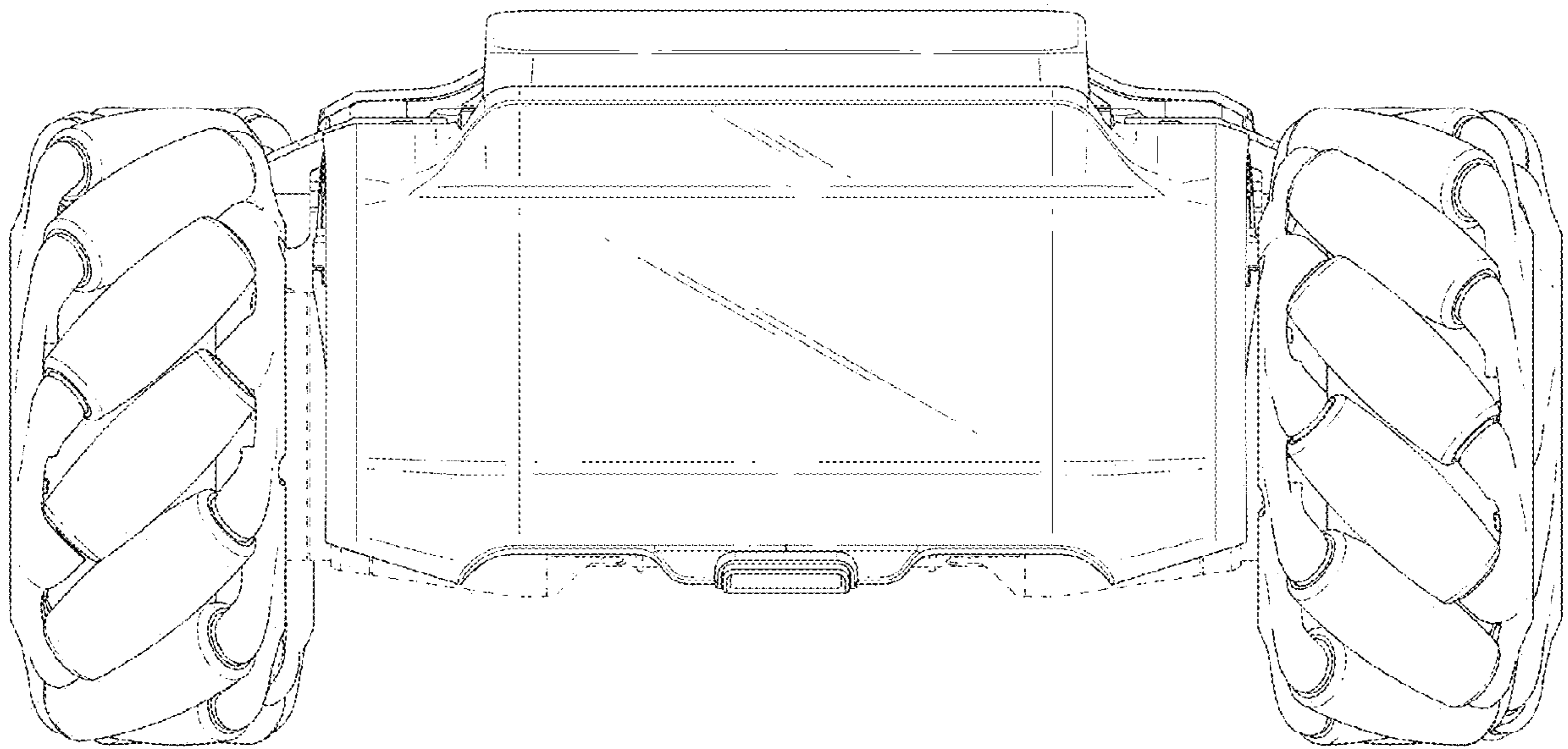


FIG. 3

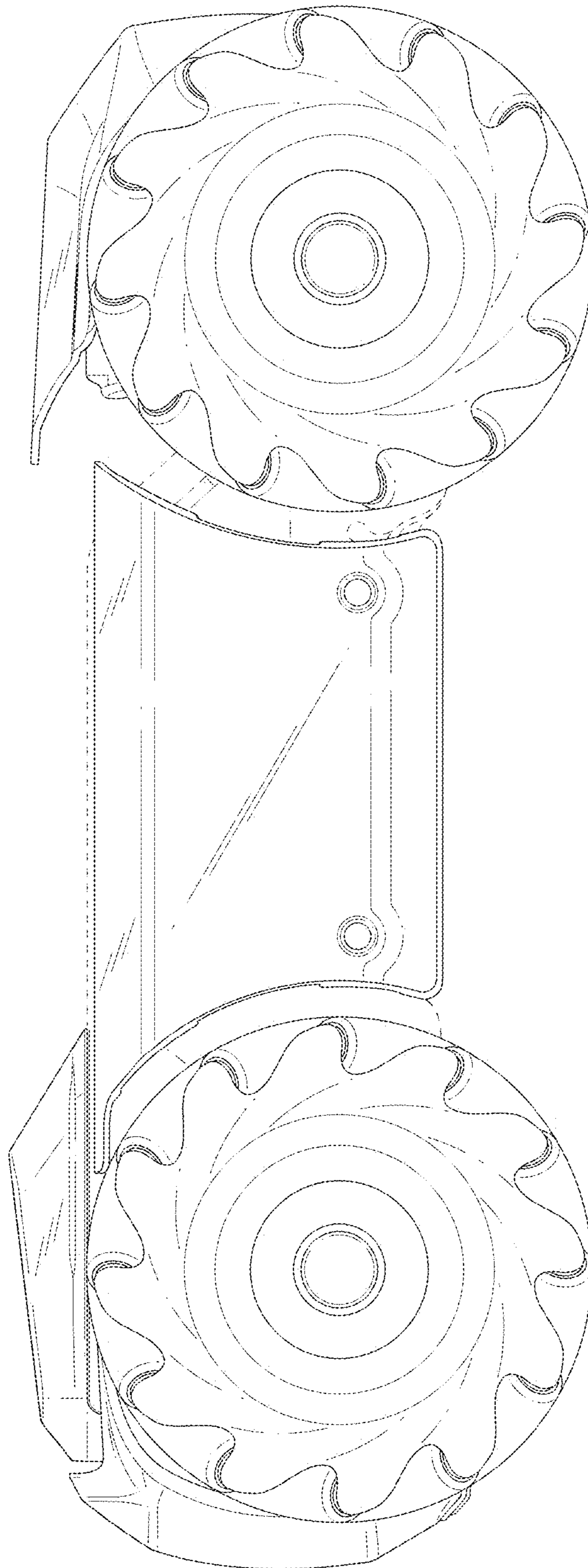


FIG. 4

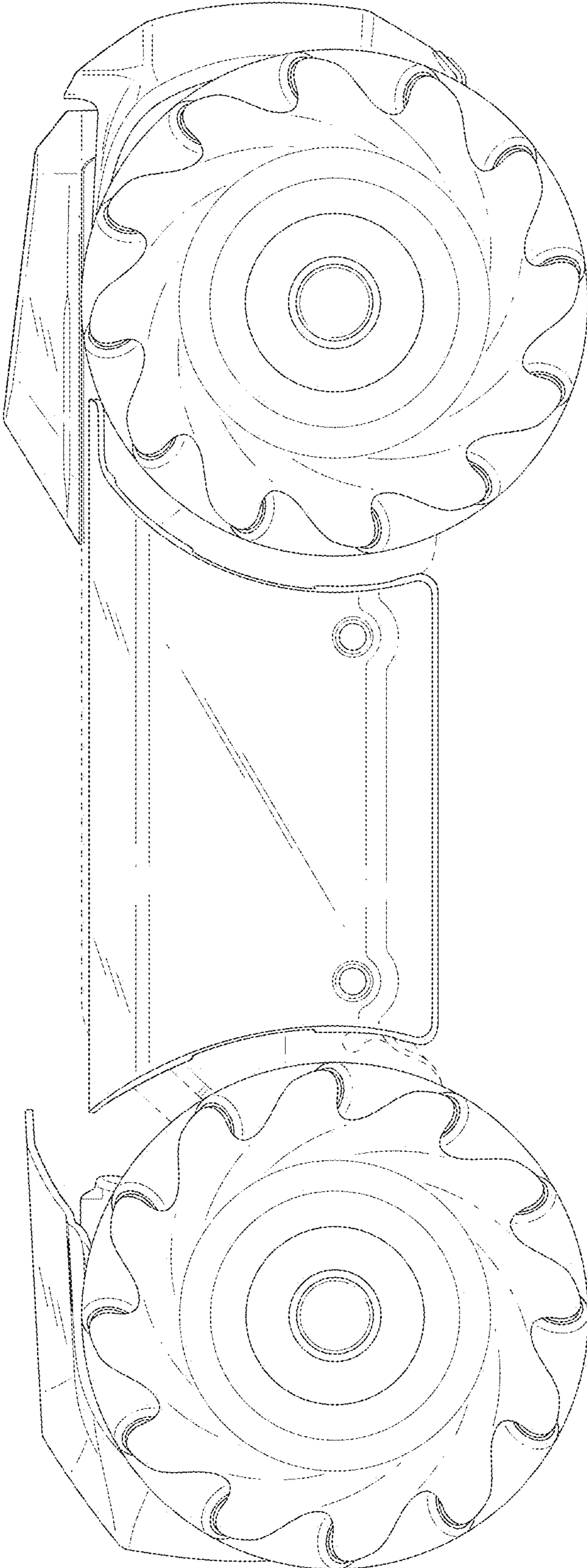


FIG. 5

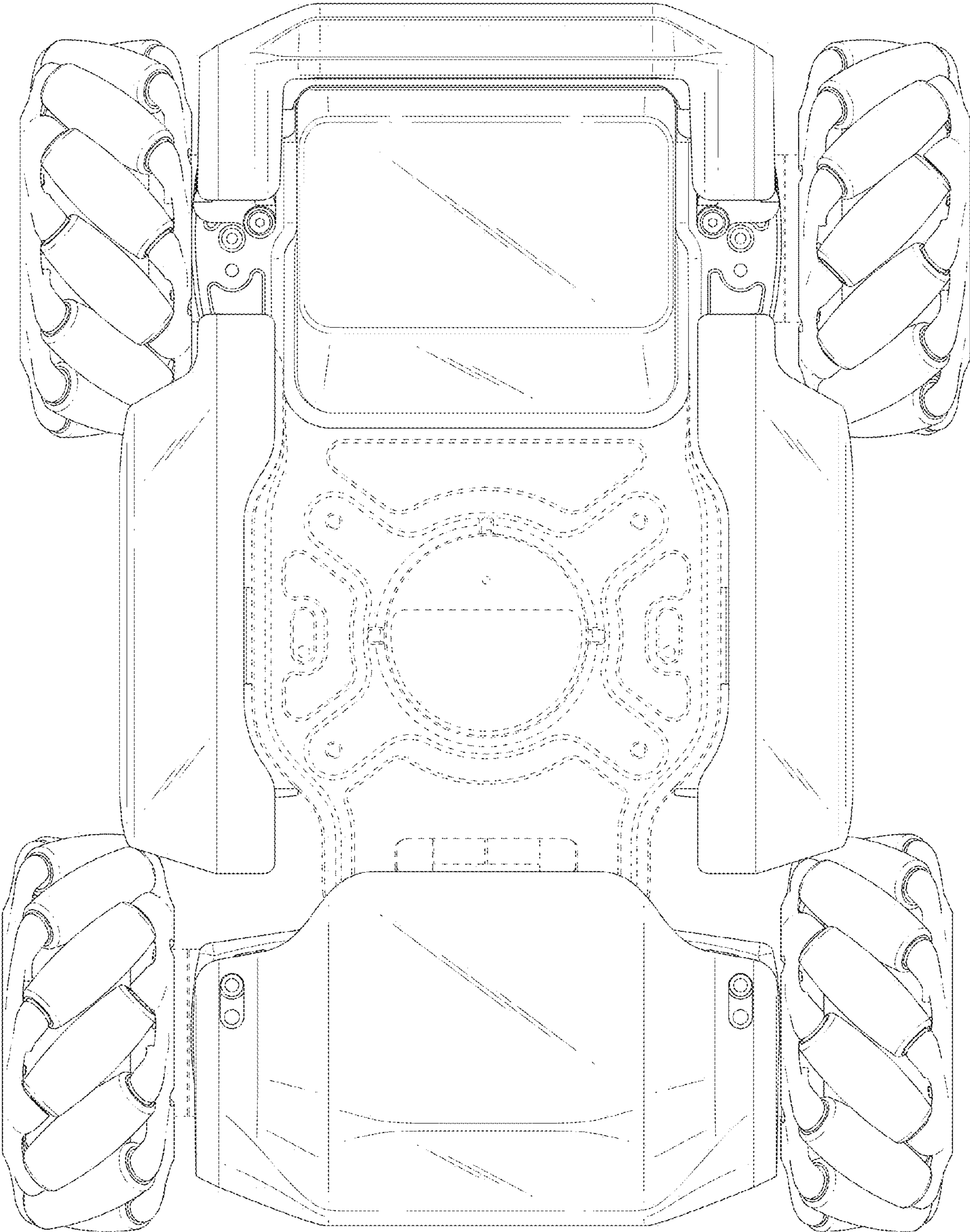


FIG. 6

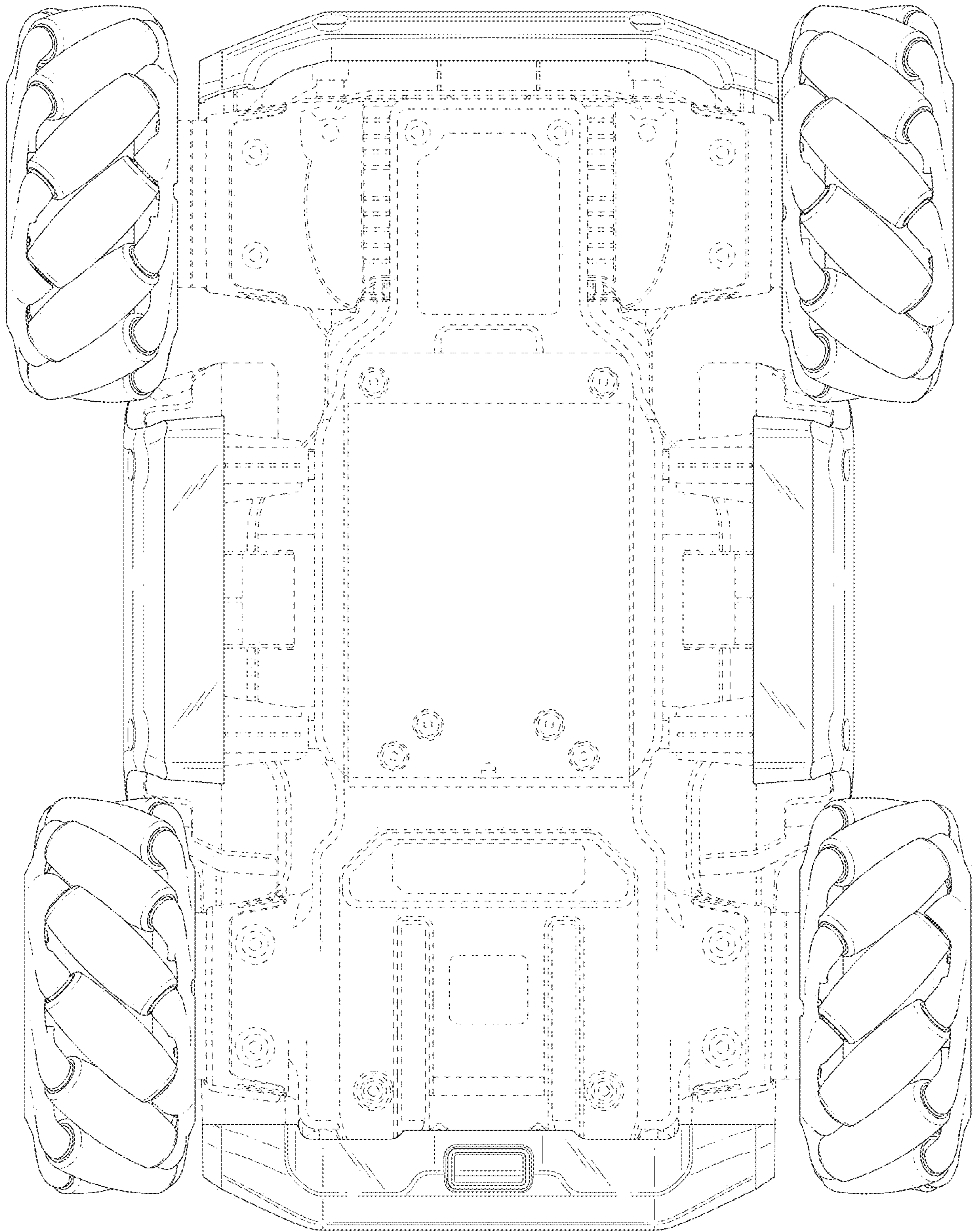


FIG. 7